



US00D878833S

(12) **United States Design Patent** (10) **Patent No.:** **US D878,833 S**
Nichols et al. (45) **Date of Patent:** **** Mar. 24, 2020**

(54) **MERCHANDISING DISPLAY**
(71) Applicant: **DELTA FAUCET COMPANY**,
Indianapolis, IN (US)
(72) Inventors: **Wendy Nichols**, New Palestine, IN
(US); **Aaron Conk**, Sheridan, IN (US);
Eric Black, Indianapolis, IN (US);
Kathleen A. Carron, Naperville, IL
(US); **Adam Lickliter**, Greenwood, IN
(US); **Mitchell A. Koziol**, Lake Forest,
IL (US)

D301,952 S * 7/1989 Everett D6/675.1
D318,585 S * 7/1991 Duff D6/675.1
D456,641 S * 5/2002 Carrabba D6/675.1
D492,862 S * 7/2004 Gay, II D6/675.1
D554,905 S * 11/2007 Kumazawa D6/661
D608,115 S * 1/2010 Trinh D6/675.1
D644,039 S * 8/2011 Naples D6/675.1
D655,108 S * 3/2012 Majrani D6/675.1
D680,350 S * 4/2013 Peake-Atkins D6/662.1
D691,838 S * 10/2013 Hinkle A47F 11/10
D693,608 S * 11/2013 Cheng D6/675.1
D706,559 S * 6/2014 Muller D6/678.1
D723,843 S * 3/2015 Lai D6/675.1
D730,665 S * 6/2015 Murakami D6/675.3

(73) Assignee: **DELTA FAUCET COMPANY**,
Indianapolis, IN (US)

* cited by examiner

(**) Term: **15 Years**

Primary Examiner — George D. Kirschbaum

Assistant Examiner — Joseph J Kukella

(21) Appl. No.: **29/624,467**

(74) *Attorney, Agent, or Firm* — Edgar A. Zarins; Nirav
D. Parikh

(22) Filed: **Nov. 1, 2017**

(51) **LOC (12) Cl.** **06-06**

(52) **U.S. Cl.**
USPC **D6/678.1**

(57) **CLAIM**

The ornamental design for a merchandising display, as
shown and described.

(58) **Field of Classification Search**
USPC D6/574, 672, 678, 678.1, 678.2
CPC A47B 45/00; A47B 57/00; A47B 63/00;
A47F 5/0018; A47F 5/0025; A47F
5/0031; A47F 7/00
See application file for complete search history.

DESCRIPTION

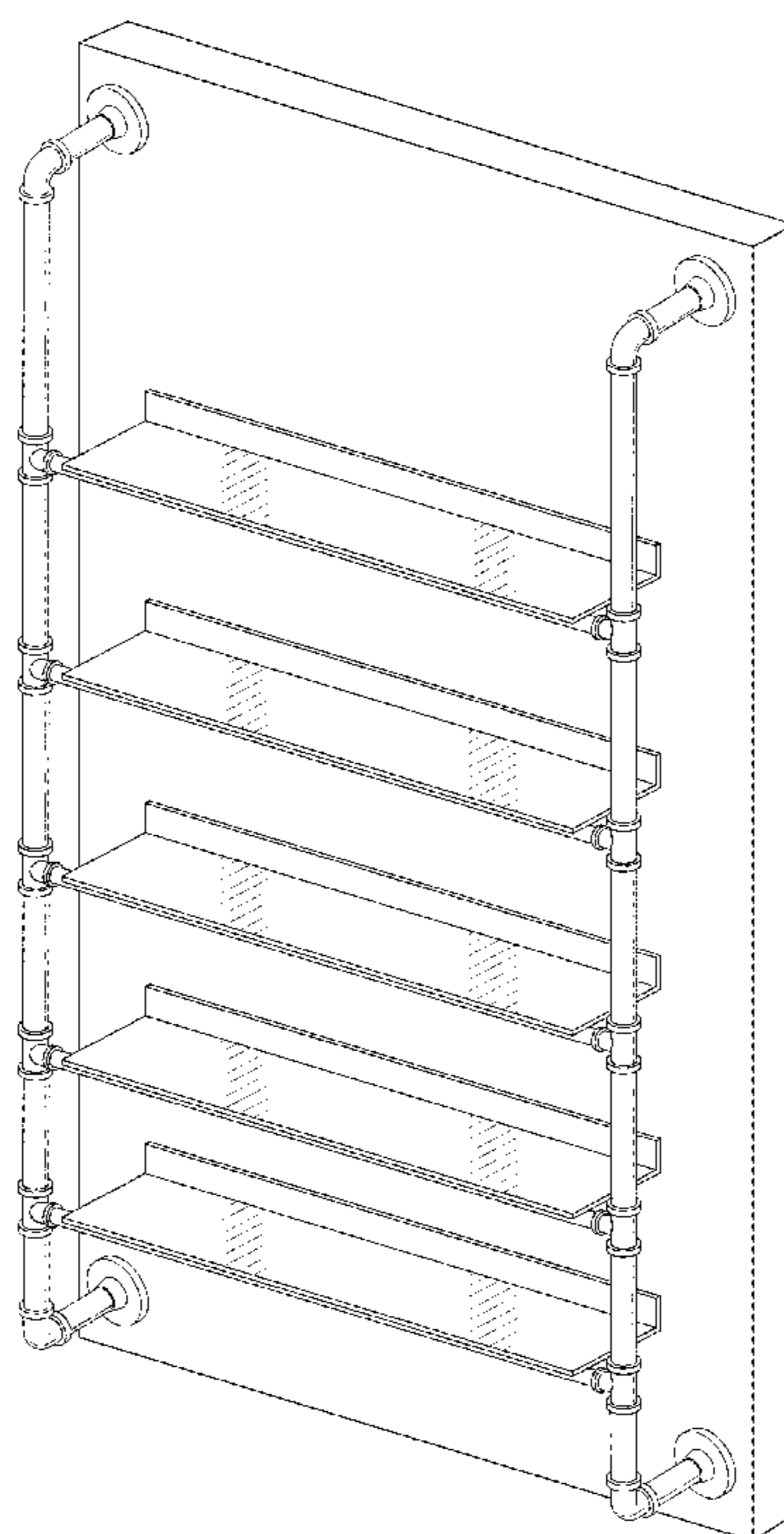
FIG. 1 is a perspective view of a merchandising display
showing our new design;
FIG. 2 is a front elevational view thereof;
FIG. 3 is a top plan view thereof;
FIG. 4 is a left side view thereof, the opposite side being a
mirror image of the side shown;
FIG. 5 is a rear view thereof; and,
FIG. 6 is a bottom view thereof.

(56) **References Cited**

U.S. PATENT DOCUMENTS

D267,692 S * 1/1983 Kates D6/675.1
D269,754 S * 7/1983 Kates D6/675.1

1 Claim, 3 Drawing Sheets



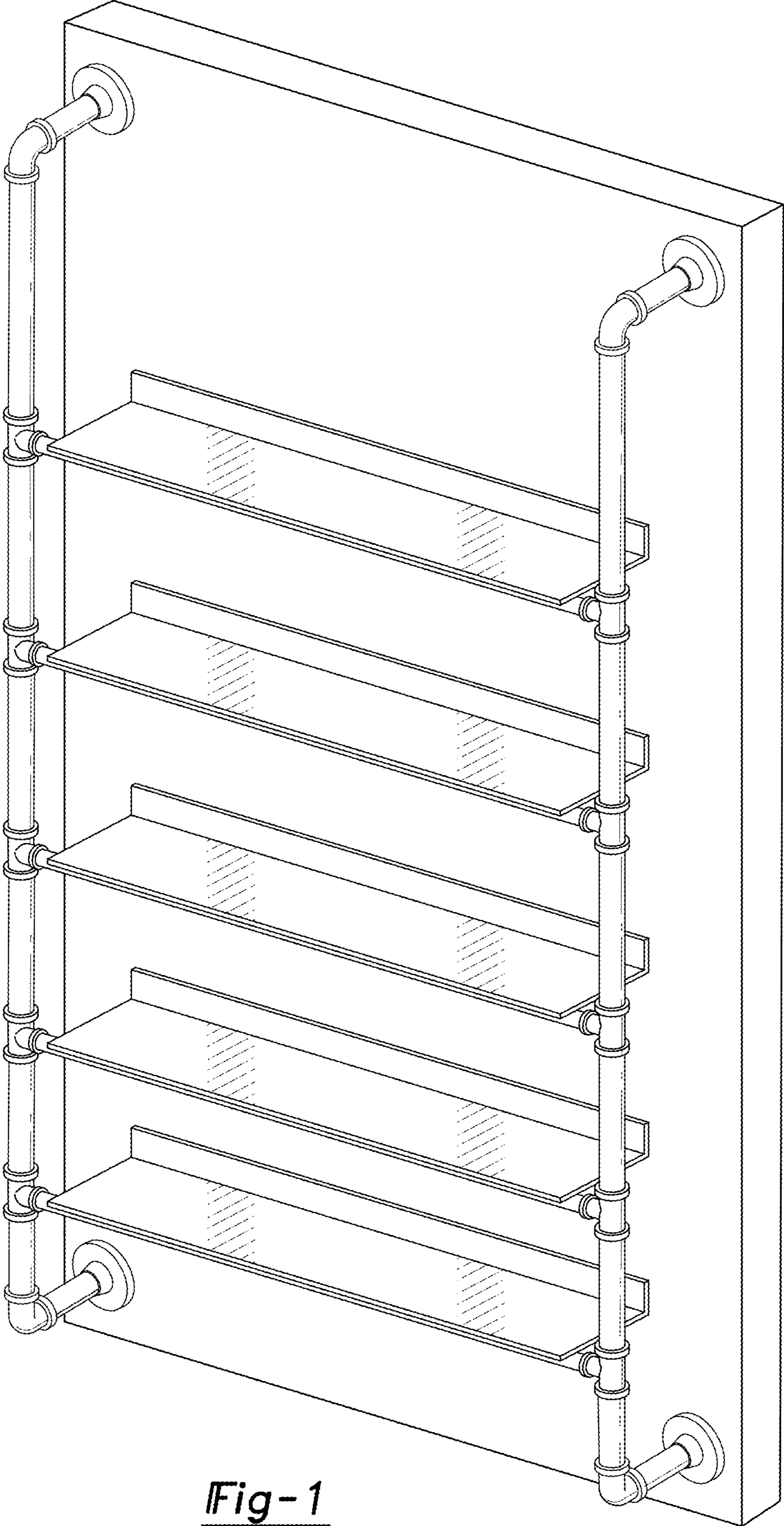


Fig-1

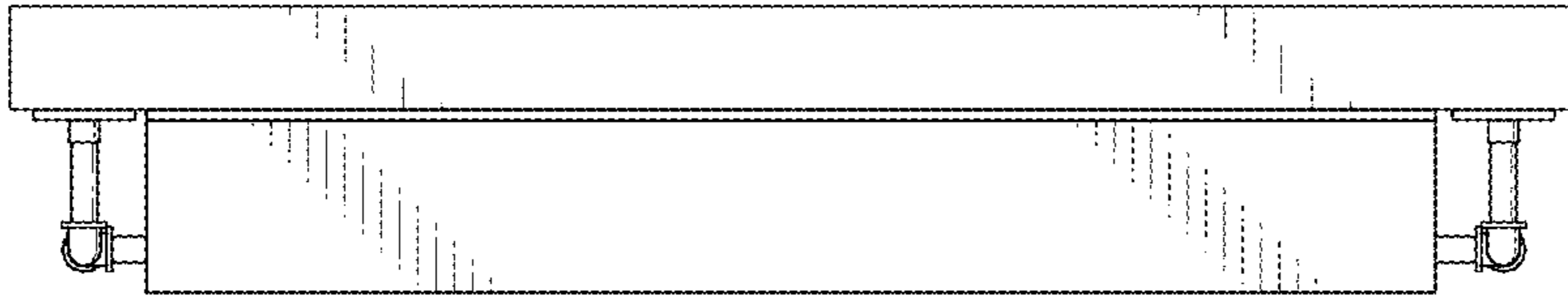


Fig-3

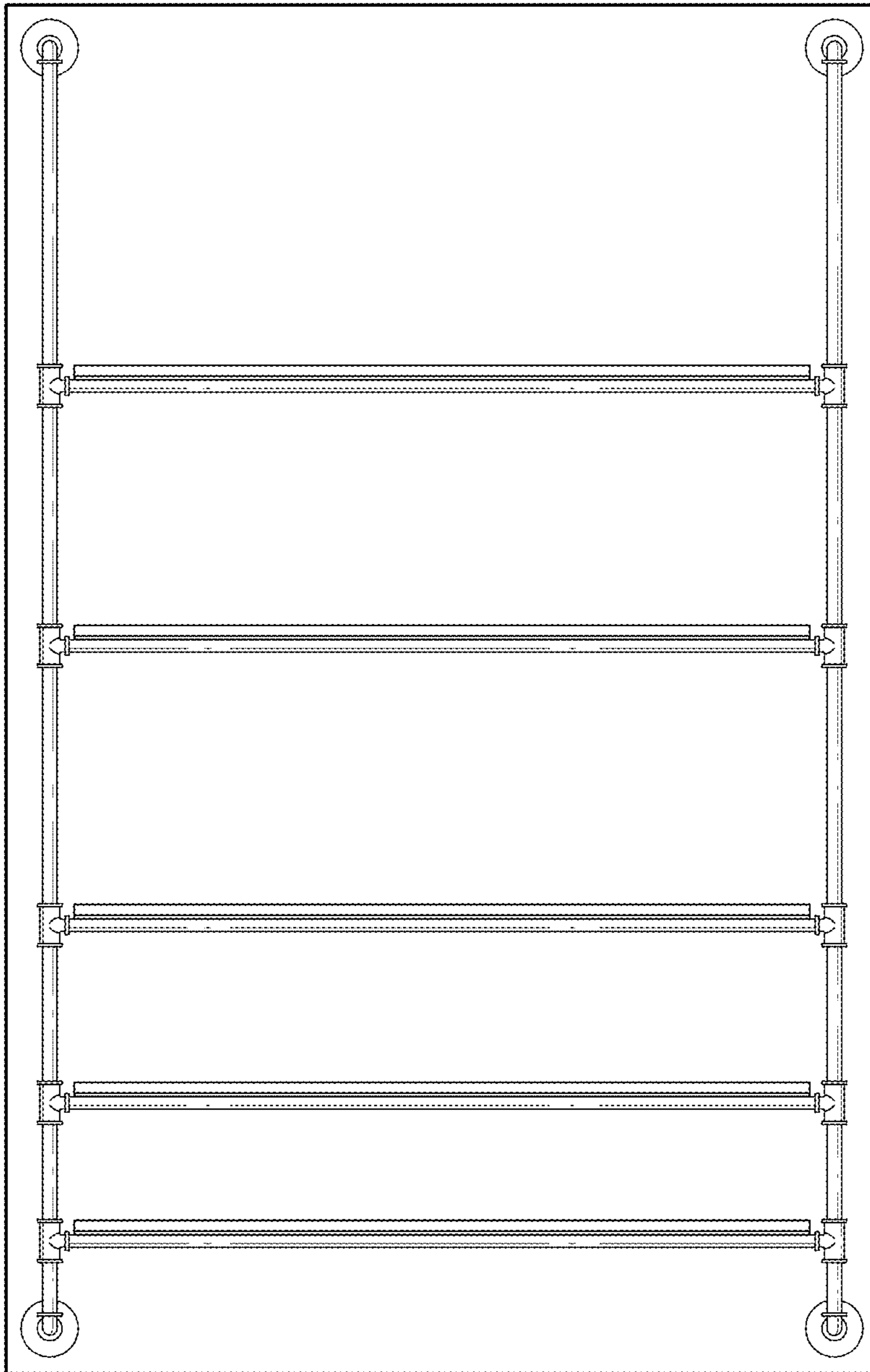


Fig-2

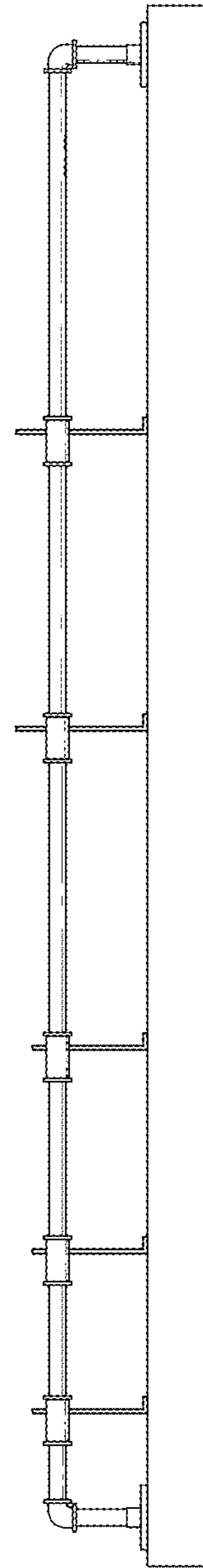


Fig-4

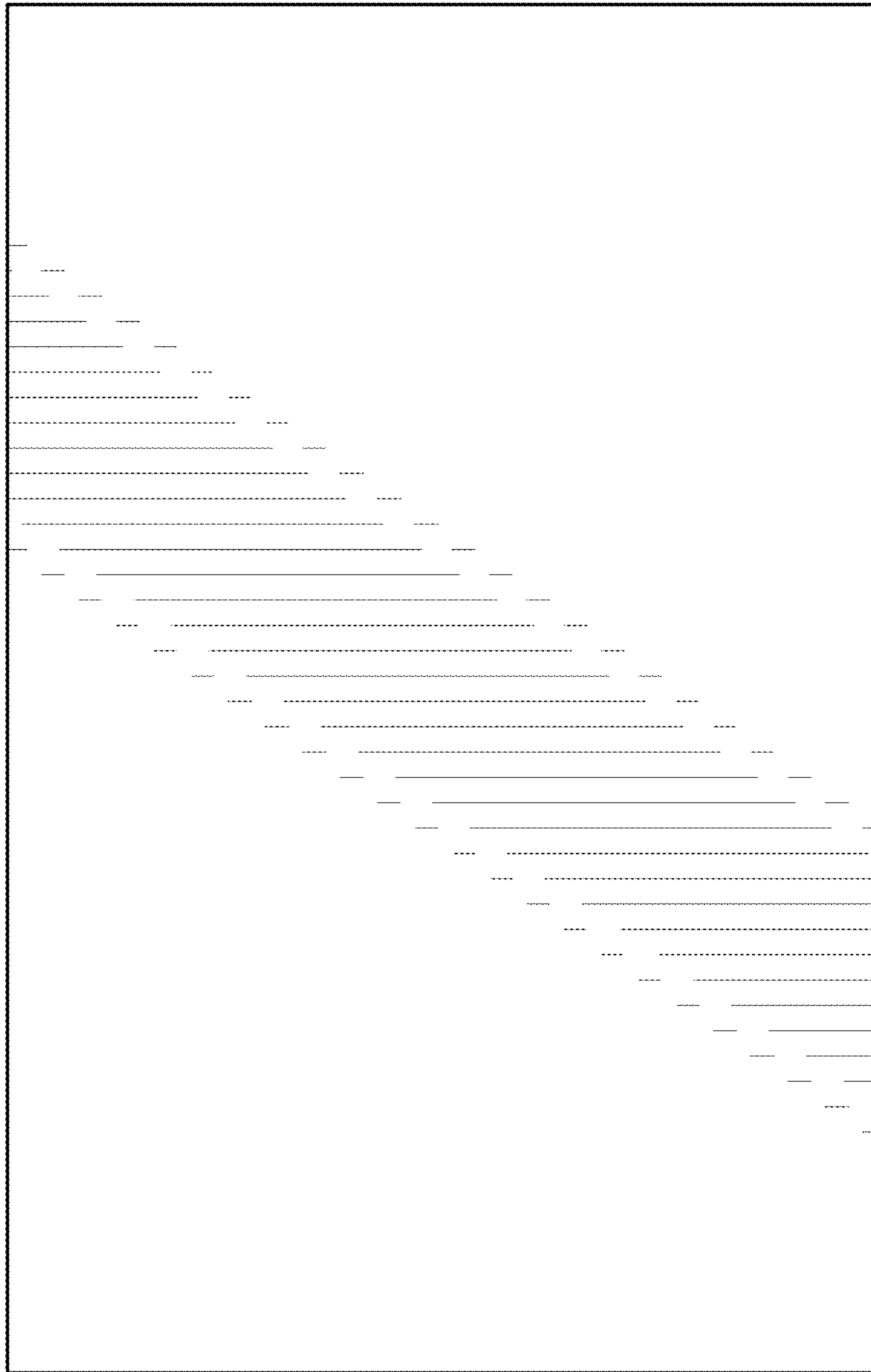


Fig-5

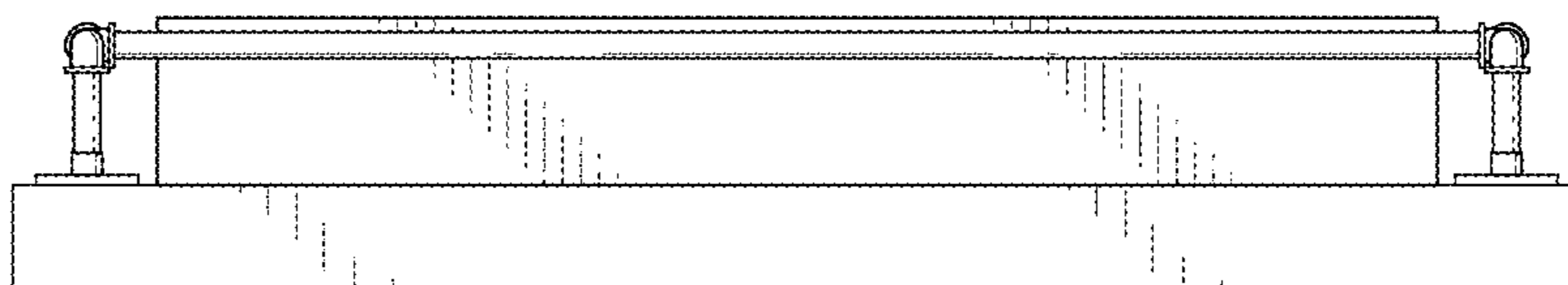


Fig-6