



US00D878831S

(12) **United States Design Patent**  
**Rortvedt et al.**

(10) **Patent No.:** **US D878,831 S**

(45) **Date of Patent:** **\*\* Mar. 24, 2020**

(54) **RACK FOR HANGING AND DRYING  
FOOTWEAR AND ACCESSORIES**

(71) Applicant: **Axis Holdings, Inc.**, Elm Grove, WI  
(US)

(72) Inventors: **Adam John Rortvedt**, Elm Grove, WI  
(US); **Thatcher Steven Rortvedt**, Elm  
Grove, WI (US)

(73) Assignee: **Axis Holdings, Inc.**, Elm Grove, WI  
(US)

(\*\*) Term: **15 Years**

(21) Appl. No.: **29/626,466**

(22) Filed: **Nov. 17, 2017**

(51) **LOC (12) Cl.** ..... **06-06**

(52) **U.S. Cl.**

USPC ..... **D6/676**

(58) **Field of Classification Search**

USPC ..... D8/315, 316, 356, 367, 372, 373;  
D6/315-317, 320, 323, 328, 675, 675.1,  
D6/676, 677, 682, 682.1, 682.2, 682.3  
CPC ..... B65D 5/008; B65D 5/02; B65D 5/2038  
See application file for complete search history.

(56) **References Cited**

**U.S. PATENT DOCUMENTS**

D206,471 S *	12/1966	Mellion	.....	D6/676
D245,956 S *	10/1977	Dunchock	.....	D6/570
4,367,819 A *	1/1983	Lewis	.....	A47G 25/0678
				211/106.01
D321,795 S *	11/1991	Winston	.....	D6/315
D347,094 S	5/1994	Christensen, Jr.		
D406,704 S *	3/1999	Carter	.....	D6/676
6,202,866 B1 *	3/2001	Shea	.....	A47F 5/0006
				211/103
D456,636 S *	5/2002	Papai	.....	D6/676

D464,510 S *	10/2002	Shea	.....	D6/682.2
D466,796 S *	12/2002	Lacey	.....	D8/372
D489,252 S *	5/2004	Cheng	.....	D8/372
D503,286 S *	3/2005	Stevens	.....	D6/327
D543,727 S	6/2007	Thaler		
D581,109 S	11/2008	Totz		
D582,686 S *	12/2008	Belokin	.....	D6/315

(Continued)

*Primary Examiner* — Kelley A Donnelly

(74) *Attorney, Agent, or Firm* — Ziolkowski Patent  
Solutions Group, SC

(57) **CLAIM**

The ornamental design for a rack for hanging and drying  
footwear and accessories, as shown and described herein.

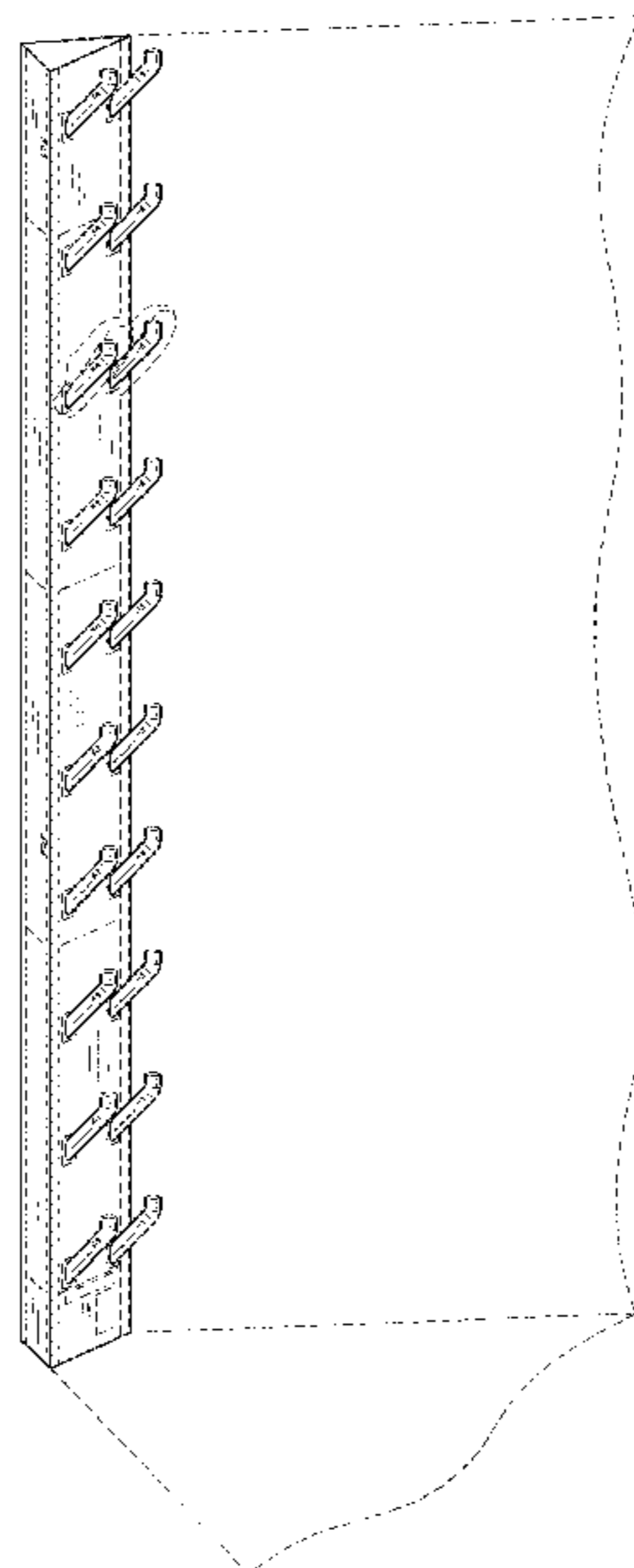
**DESCRIPTION**

FIG. 1 is a perspective view of a first embodiment of a rack  
for hanging and drying footwear and accessories of this  
invention.

FIG. 2 is a front elevational view of the rack of FIG. 1;  
FIG. 3 is a left side elevational view of the rack of FIG. 1,  
the right side elevational view being a mirror image thereof;  
FIG. 4 is a rear elevational view of the rack of FIG. 1;  
FIG. 5 is a top elevational view of the rack of FIG. 1;  
FIG. 6 is a bottom elevational view of the rack of FIG. 1;  
FIG. 7 is a partially exploded front elevational view of a  
second embodiment of this invention, the second embodi-  
ment being identical to the first embodiment except that the  
second embodiment includes posts of differing lengths and  
a removable tray for holding a deodorizer or fragrance disk;  
FIG. 8 is a rear perspective view of the second embodiment  
that illustrates the special relationship between the remov-  
able tray and a motor/blower unit located within the rack;  
and,

FIG. 9 is a perspective view of a third embodiment of a rack  
of this invention, the third embodiment being a modular  
version of the first embodiment.

**1 Claim, 6 Drawing Sheets**



(56)

**References Cited**

U.S. PATENT DOCUMENTS

D621,636	S *	8/2010	Hsu .....	D6/682.6
D622,084	S *	8/2010	Stukenberg .....	D6/682.6
D633,372	S *	3/2011	Ayrest .....	D8/372
7,942,747	B2 *	5/2011	Cole .....	A47B 47/00 463/47
D639,517	S	6/2011	Furtner	
D653,462	S *	2/2012	Trexler .....	D6/323
D677,093	S *	3/2013	Benjamin .....	D6/570
D691,775	S	10/2013	Williams	
D693,158	S *	11/2013	Jung .....	D6/682.3
D723,845	S *	3/2015	Valiulis .....	D6/682.4
D727,632	S *	4/2015	Sanchez .....	D6/323
D756,153	S *	5/2016	LeFevre .....	D6/682.4
D778,640	S *	2/2017	Martell .....	D6/675
9,629,485	B2 *	4/2017	Florek .....	A47G 1/12
D810,550	S *	2/2018	Haynie .....	D8/372
D812,936	S *	3/2018	Bruegmann .....	G09F 7/18 D6/672
D835,422	S *	12/2018	Cohen .....	D6/323

\* cited by examiner

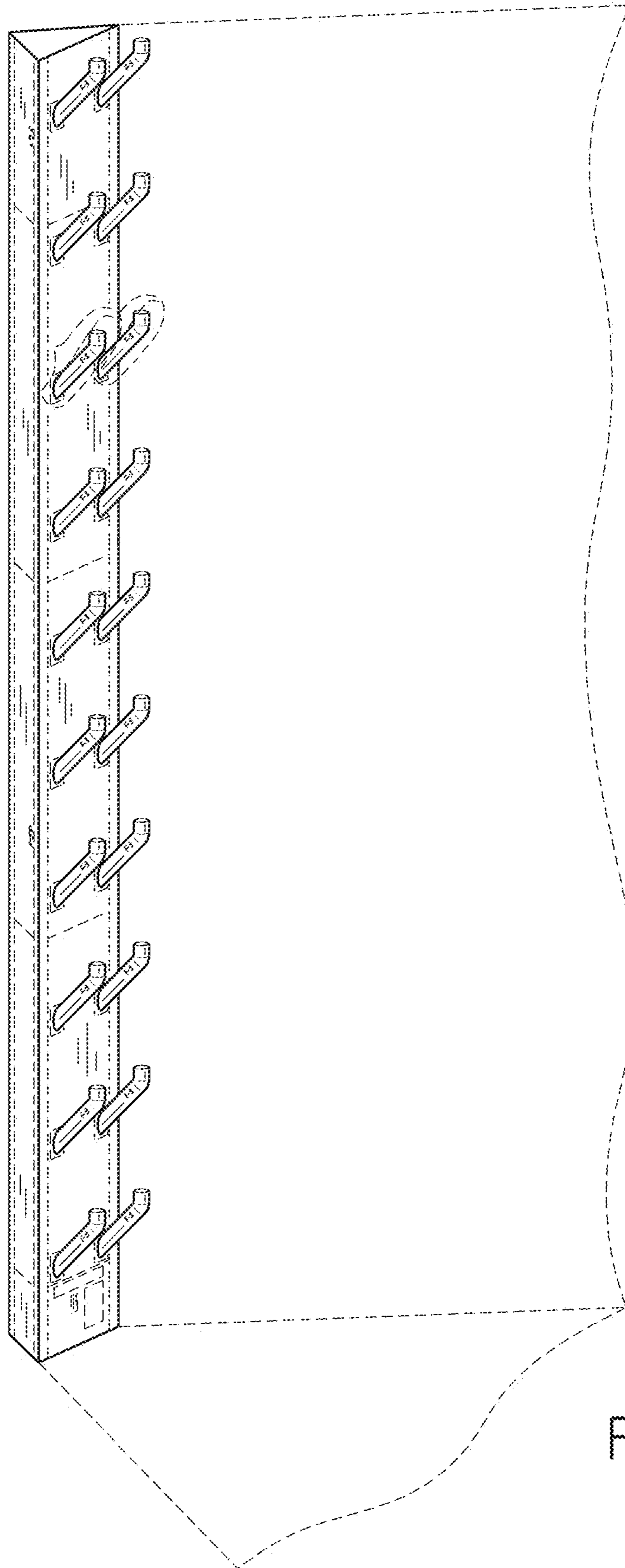


FIG. 1

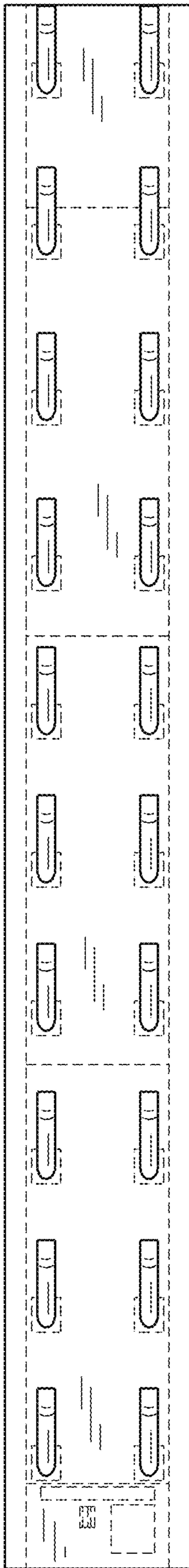


FIG. 2

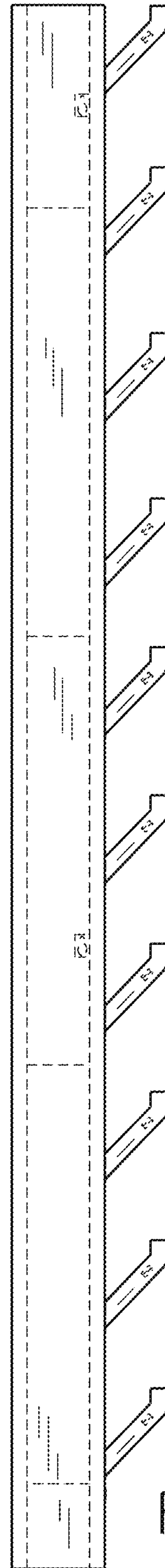


FIG. 3

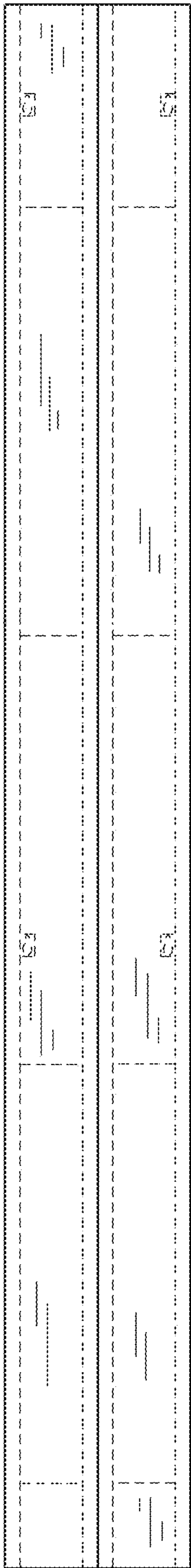


FIG. 4

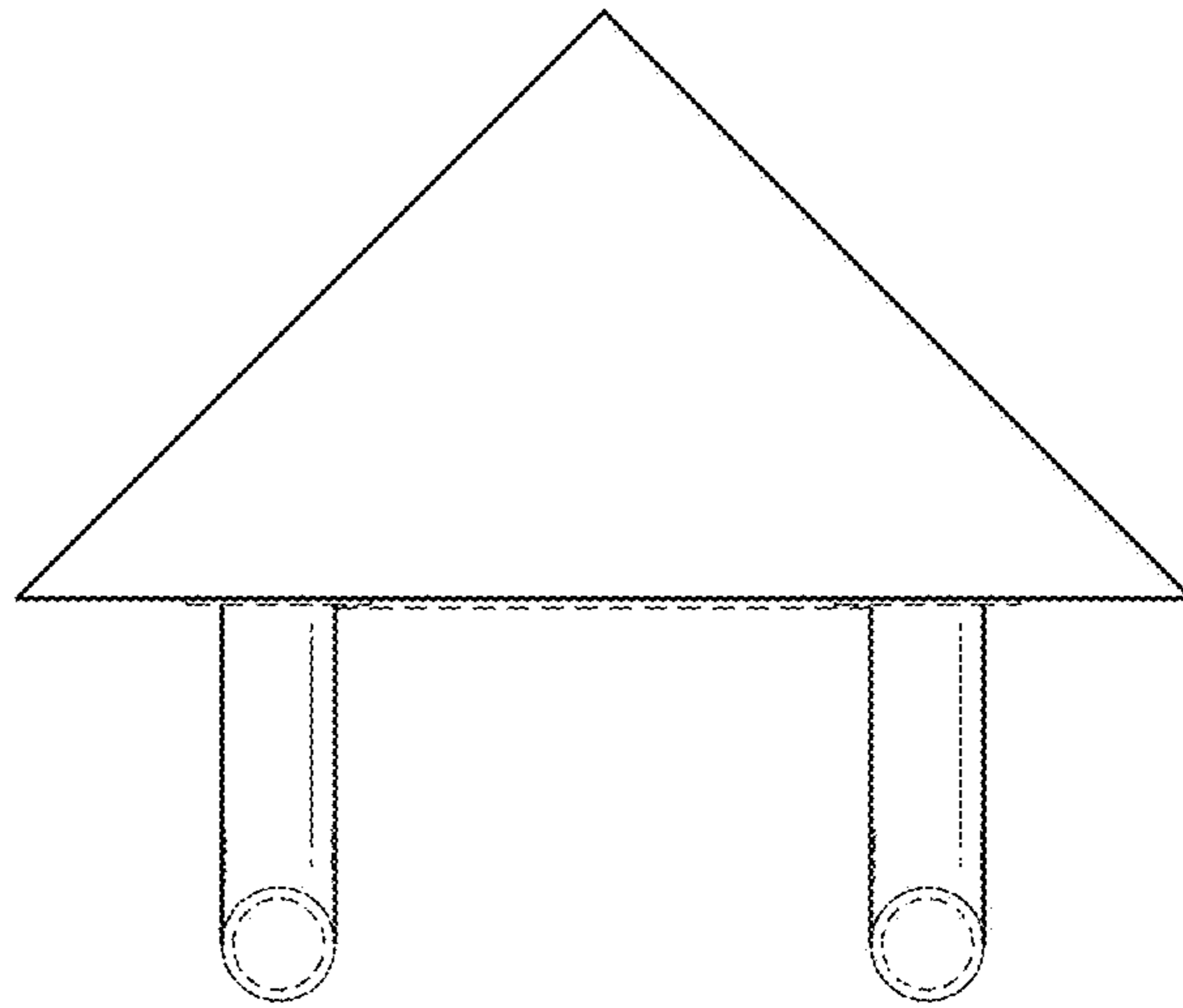


FIG. 5

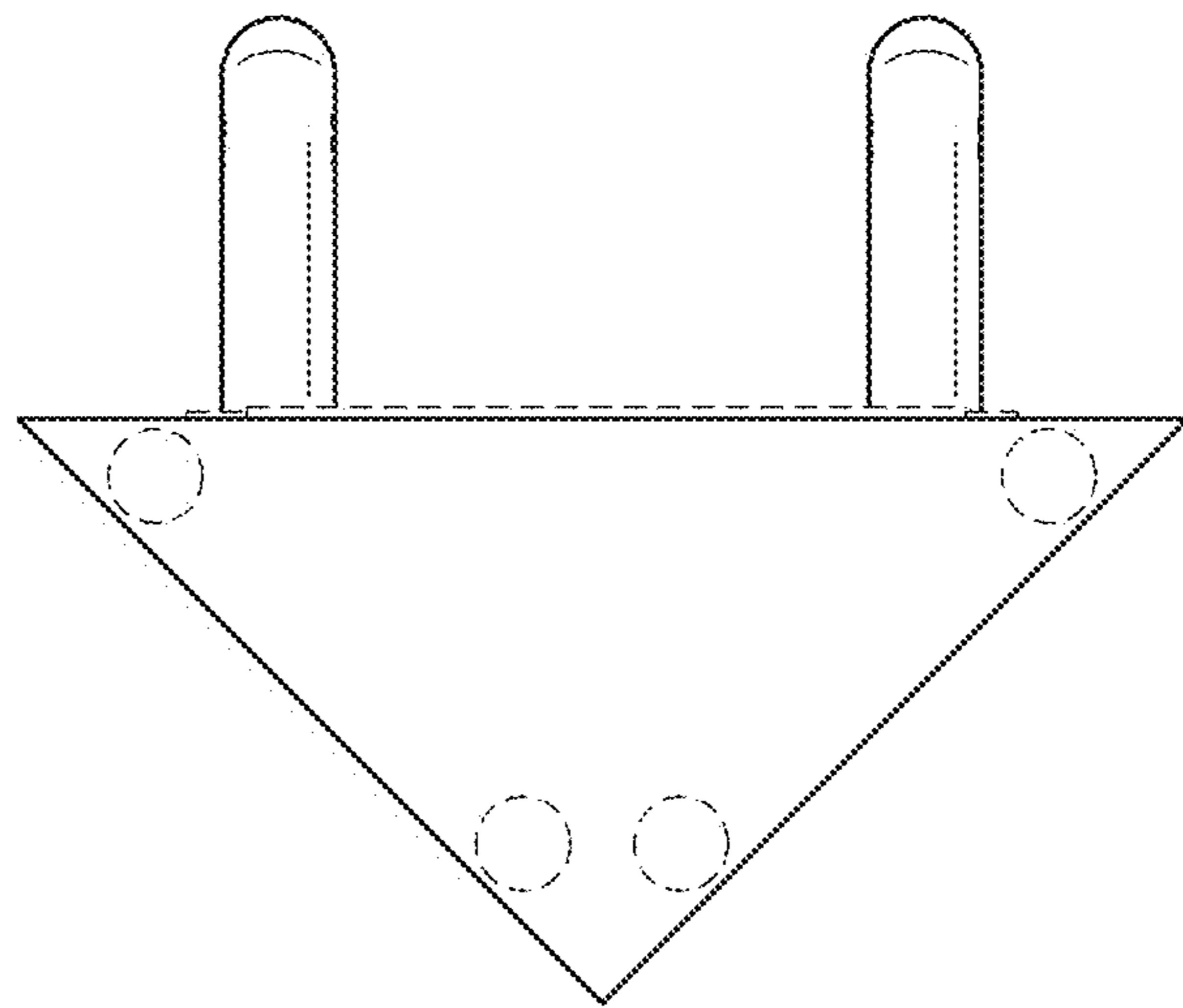


FIG. 6

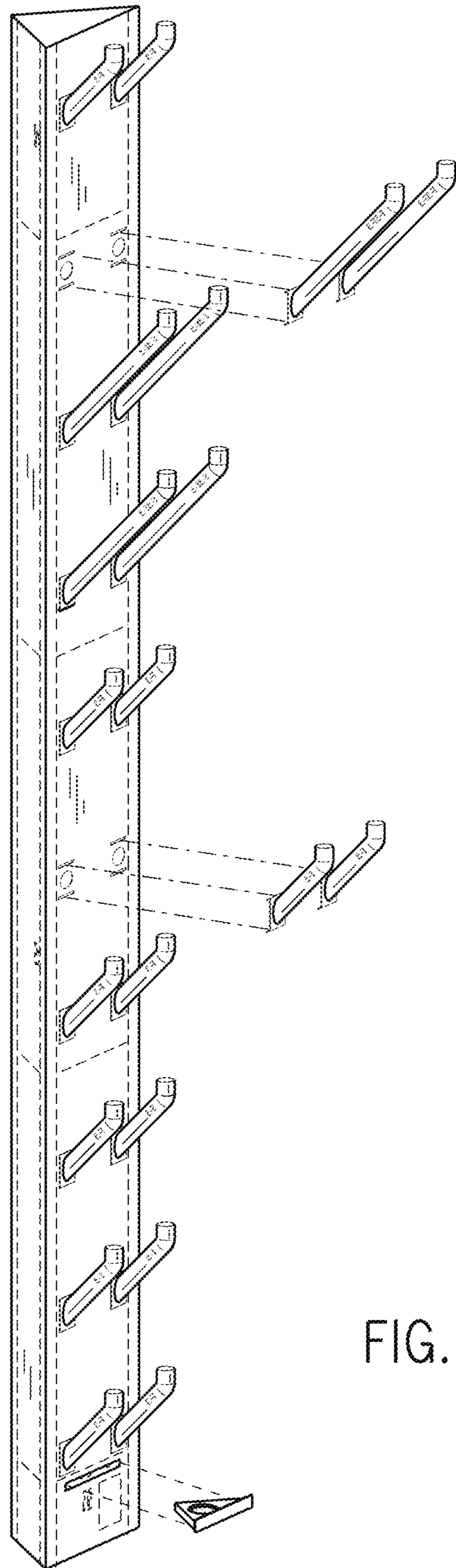


FIG. 7

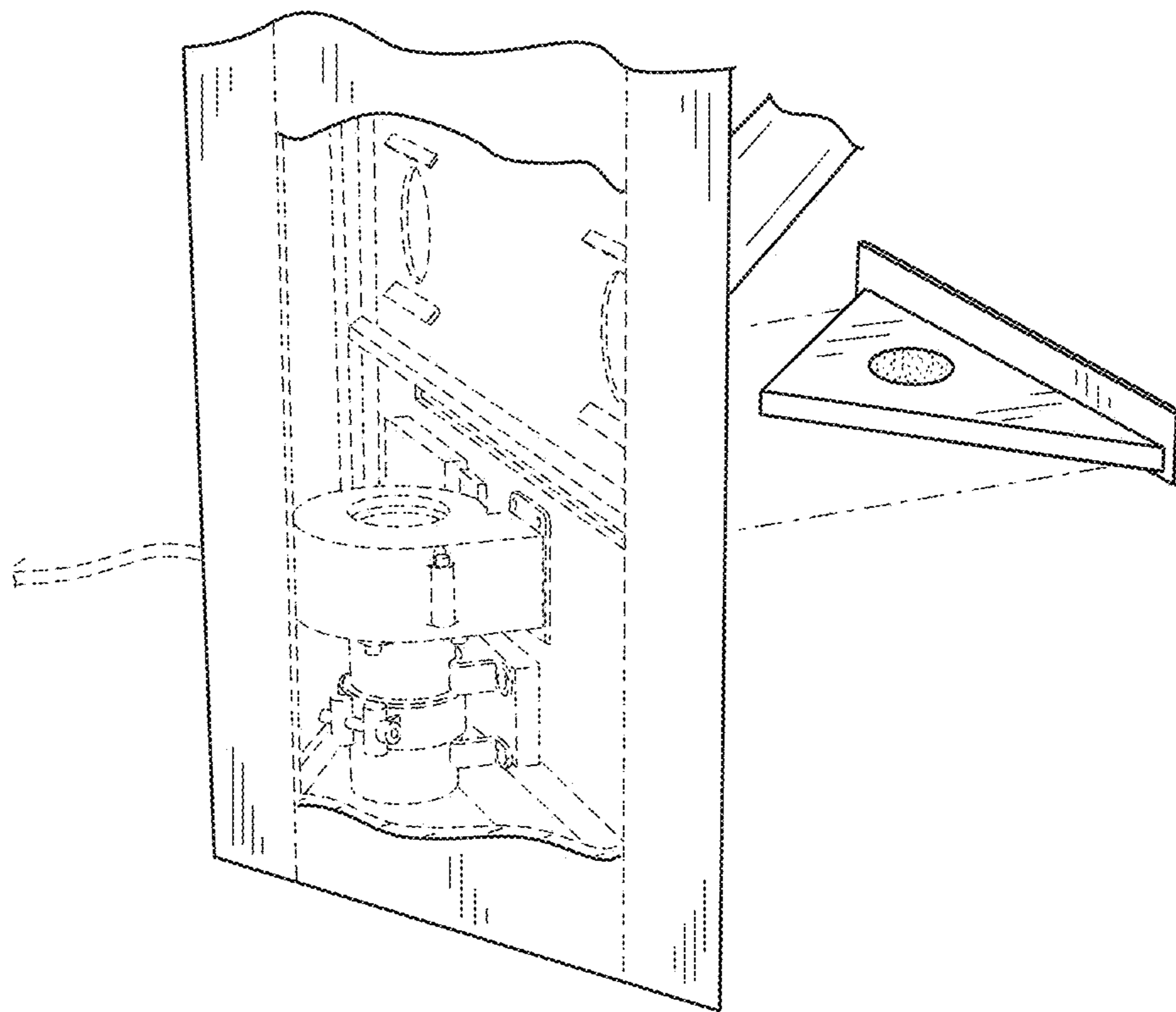


FIG. 8

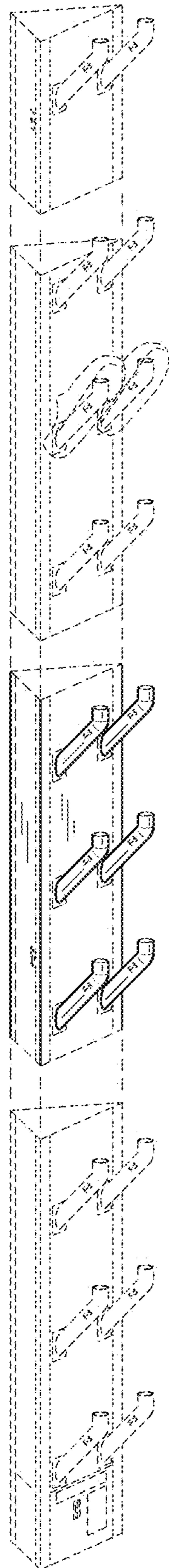


FIG. 9