

US00D878829S

(12) **United States Design Patent**  
**Chen**

(10) **Patent No.:** **US D878,829 S**

(45) **Date of Patent:** **\*\* Mar. 24, 2020**

(54) **CLEANER STAND**

(71) Applicant: **Jiangmen Li Feng Hardware Industry Co. Ltd.**, Jiangmen, Guangdong (CN)

(72) Inventor: **Dangzhao Chen**, Guangdong (CN)

(73) Assignee: **Jiangmen Li Feng Hardware Industry Co. Ltd.**, Jiangmen (CN)

(\*\*) Term: **15 Years**

(21) Appl. No.: **29/669,428**

(22) Filed: **Nov. 8, 2018**

(51) **LOC (12) Cl.** ..... **20-02**

(52) **U.S. Cl.**  
USPC ..... **D6/675**

(58) **Field of Classification Search**  
USPC ..... D6/512, 310, 332, 552, 553, 554, 672,  
D6/675, 680.2-682.2, 708, 708.17;  
D13/102, 107, 108, 109, 110; 320/110;  
D20/10, 41; D32/31, 32; D26/106  
CPC ..... A47G 29/00; A47L 11/40; E04H 12/22;  
F16M 11/2035  
See application file for complete search history.

(56) **References Cited**

U.S. PATENT DOCUMENTS

D424,734 S \* 5/2000 Gager ..... D20/41  
D431,838 S \* 10/2000 Ragot ..... D20/10

D837,144 S \* 1/2019 Nam ..... D13/107  
D839,018 S \* 1/2019 Boitor ..... D6/512  
D867,794 S \* 11/2019 Nakamura ..... D6/675

\* cited by examiner

*Primary Examiner* — Wan Laymon  
*Assistant Examiner* — Mark Booker

(57) **CLAIM**

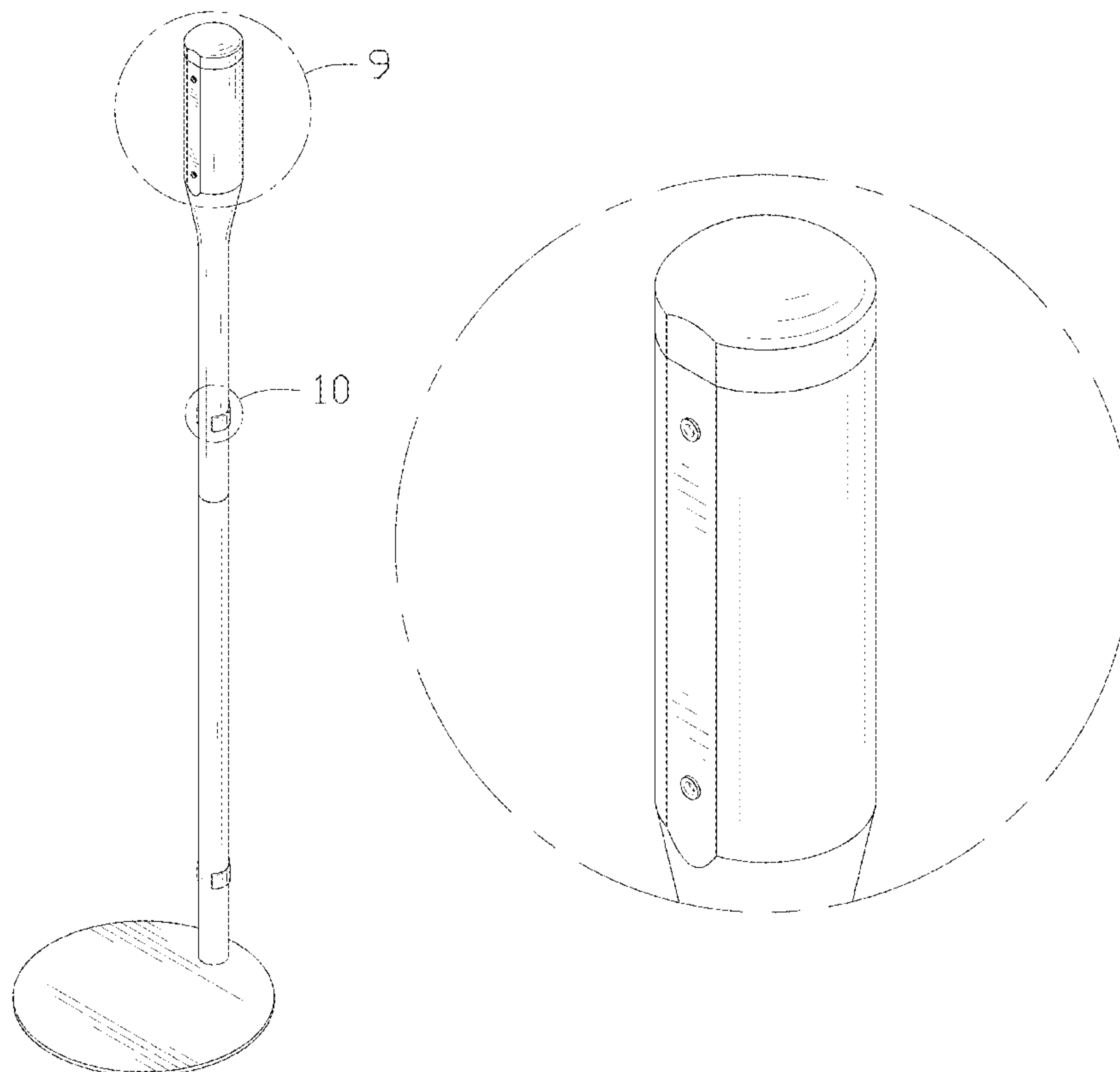
The ornamental design for a cleaner stand, as shown and described.

**DESCRIPTION**

FIG. 1 is a top, front and right side perspective view of a cleaner stand showing my new design; FIG. 2 is a top, rear and left side perspective view thereof; FIG. 3 is a front elevational view thereof; FIG. 4 is a rear elevational view thereof; FIG. 5 is a left side view thereof; FIG. 6 is a right side view thereof; FIG. 7 is a top plan view thereof; FIG. 8 is a bottom plan view thereof; FIG. 9 is an enlarged view of portion 9 in FIG. 1; FIG. 10 is an enlarged view of portion 10 in FIG. 1; and, FIG. 11 is a perspective view showing the cleaner stand in a use state with a cleaner.

The broken lines in the drawings illustrate portions of the cleaner stand or environmental subject matters that form no part of the claimed design.

**1 Claim, 11 Drawing Sheets**



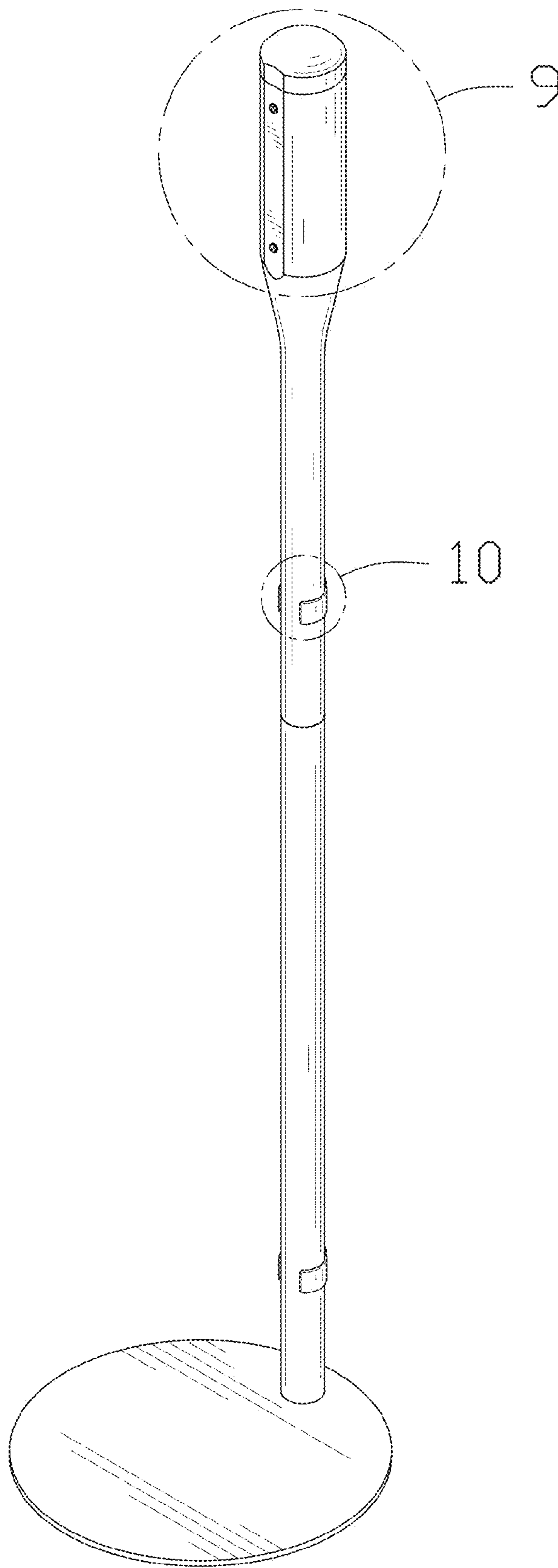


FIG. 1

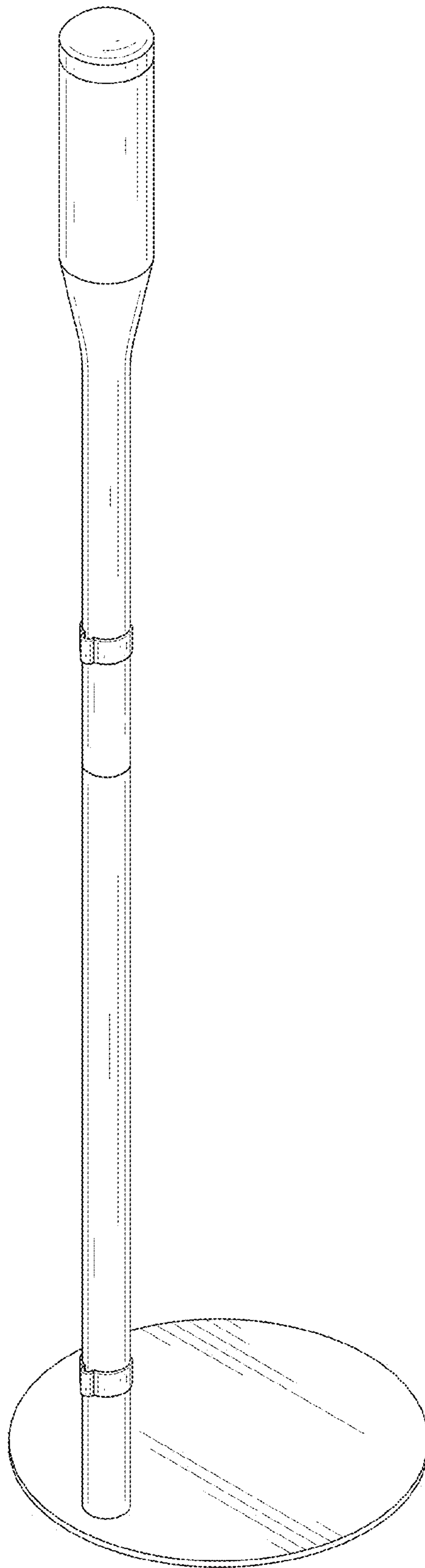


FIG. 2

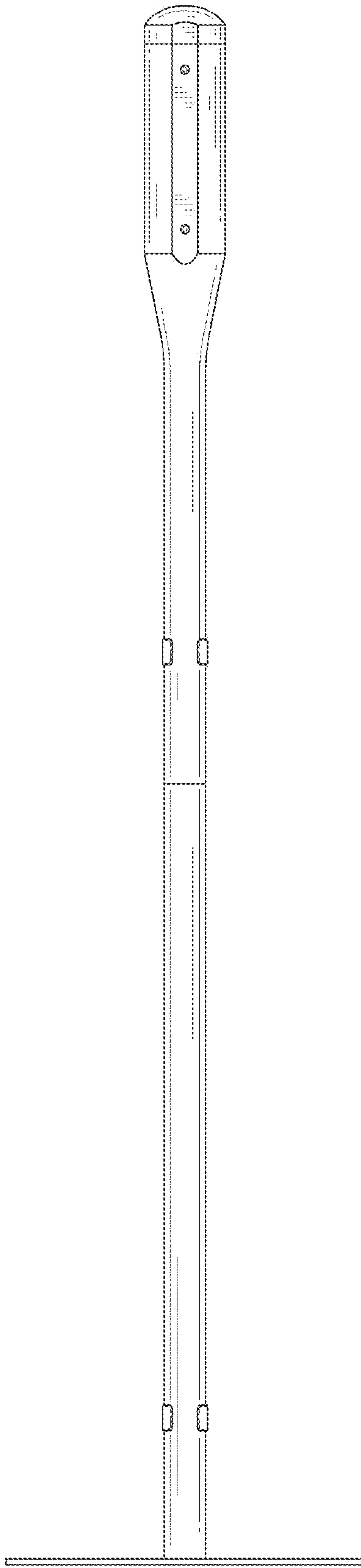


FIG. 3

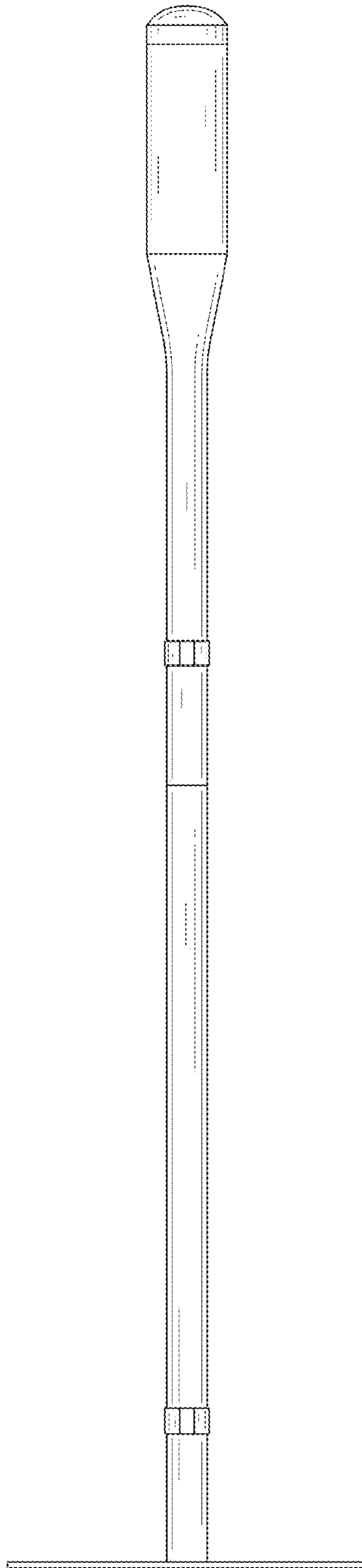


FIG. 4

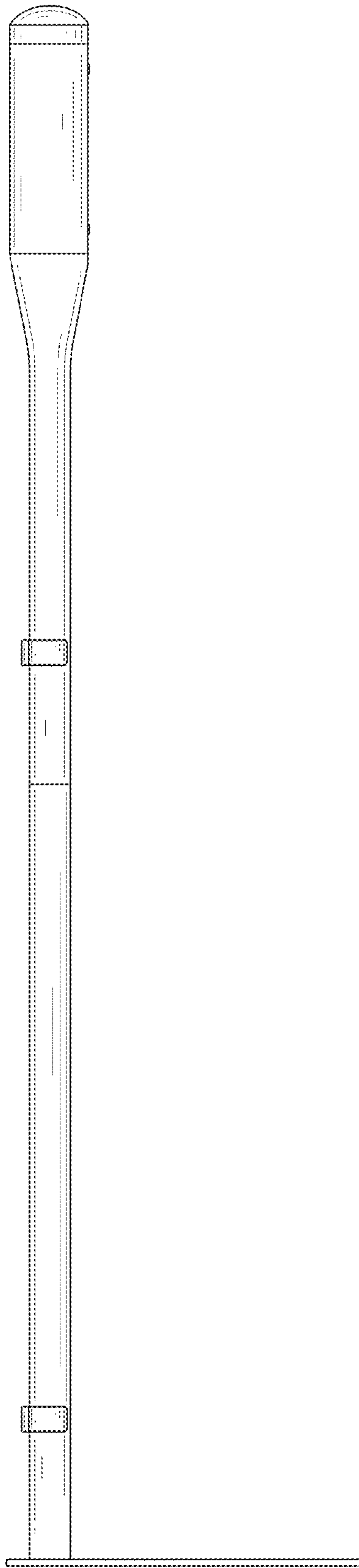


FIG. 5

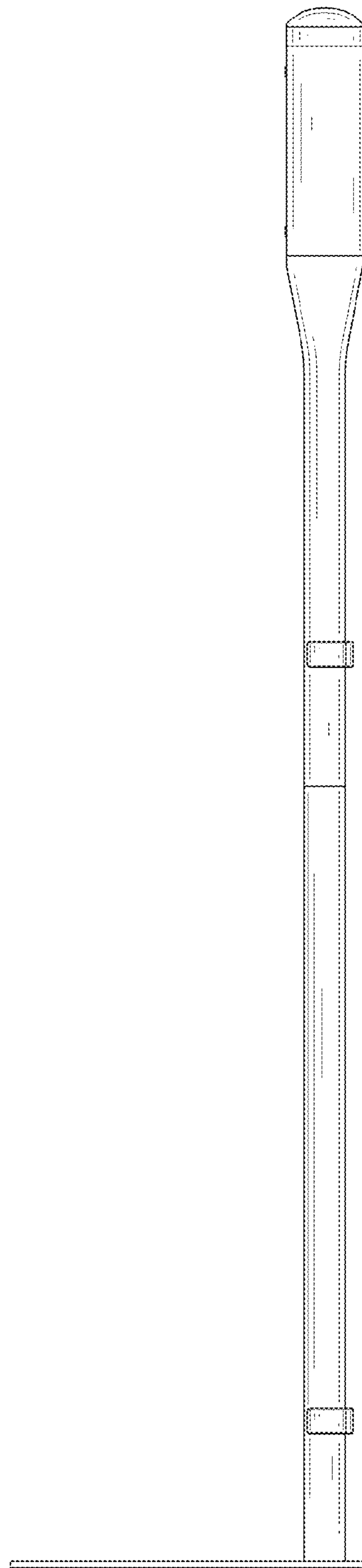


FIG. 6

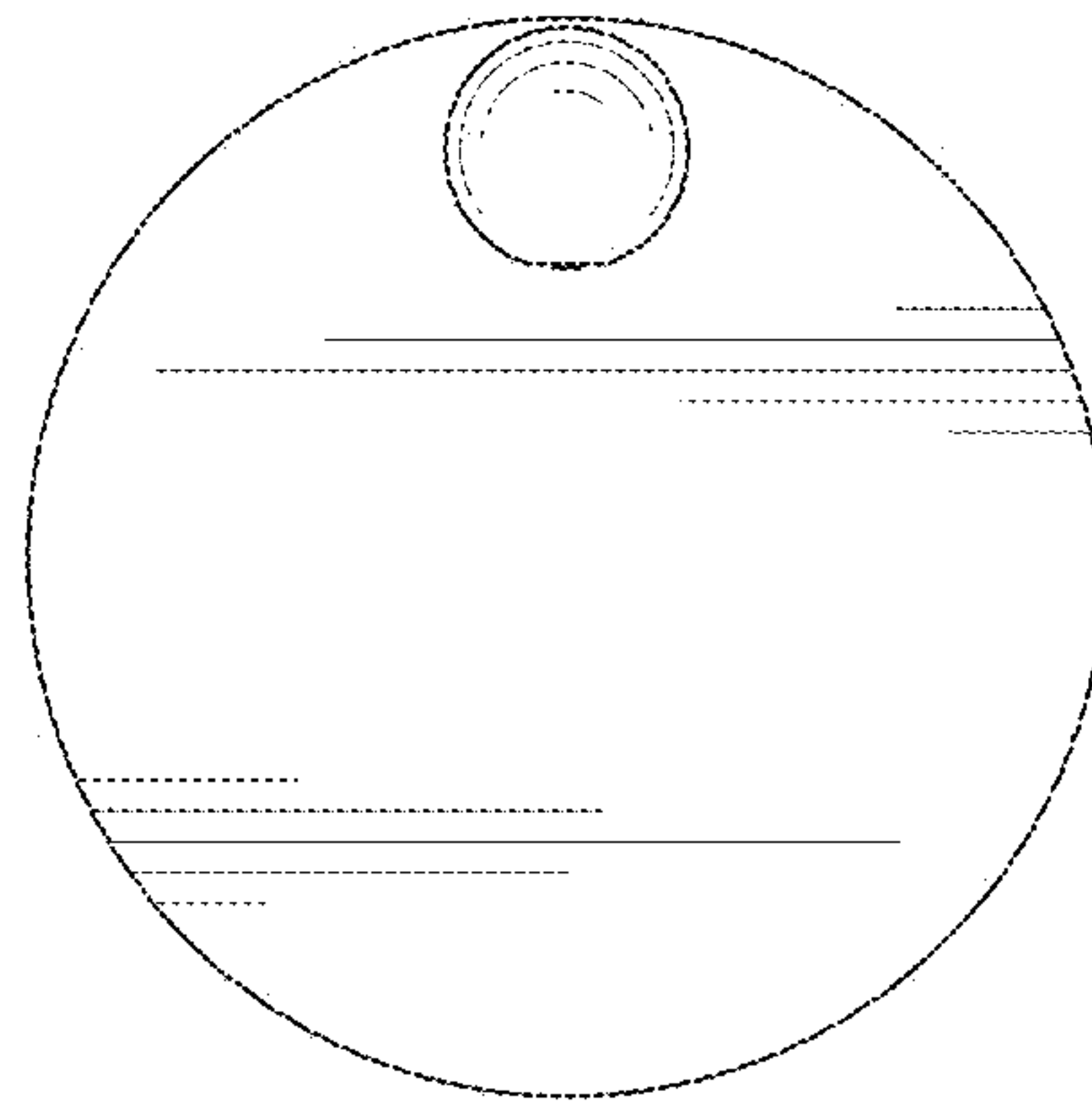


FIG. 7



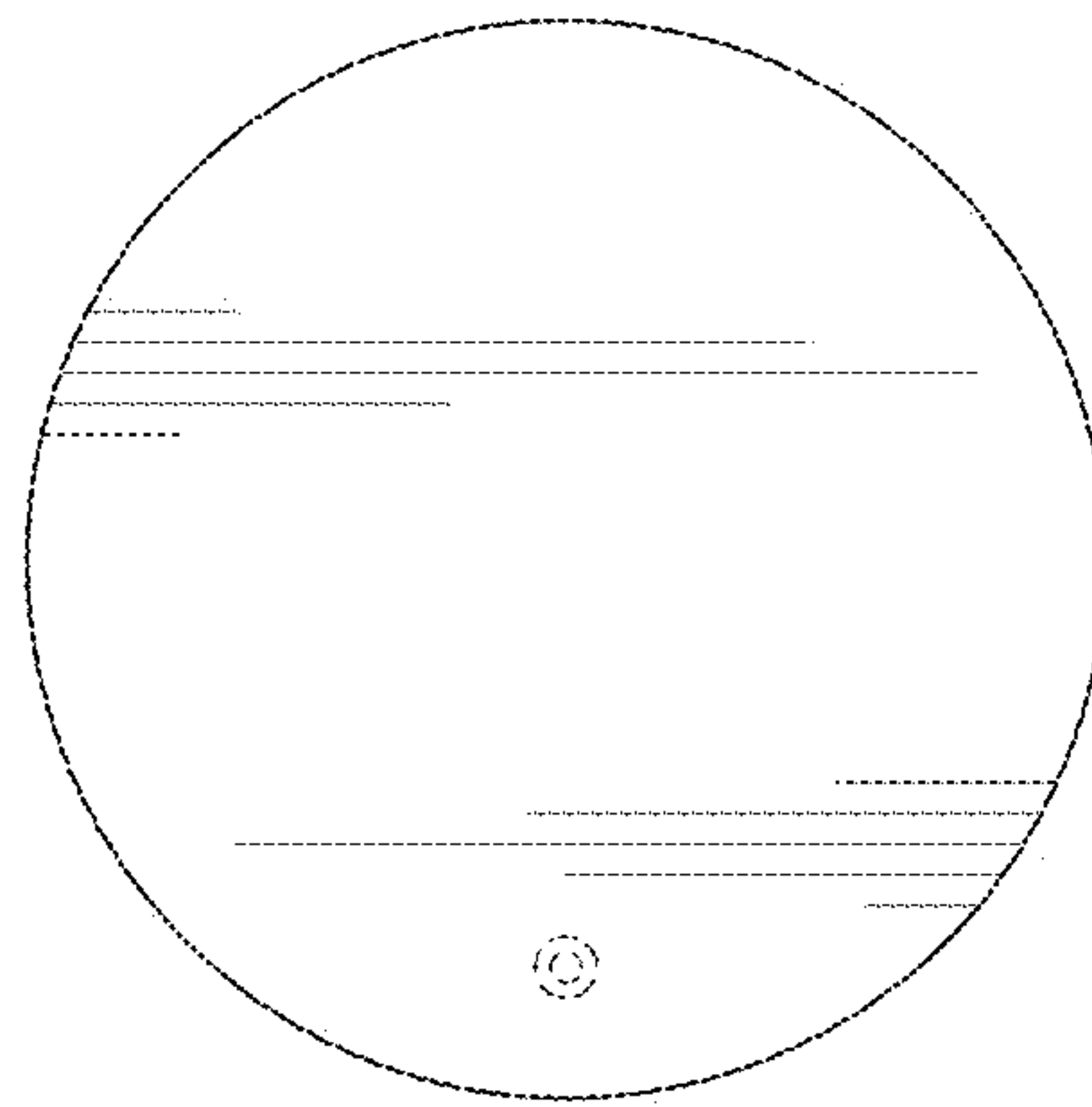


FIG. 8

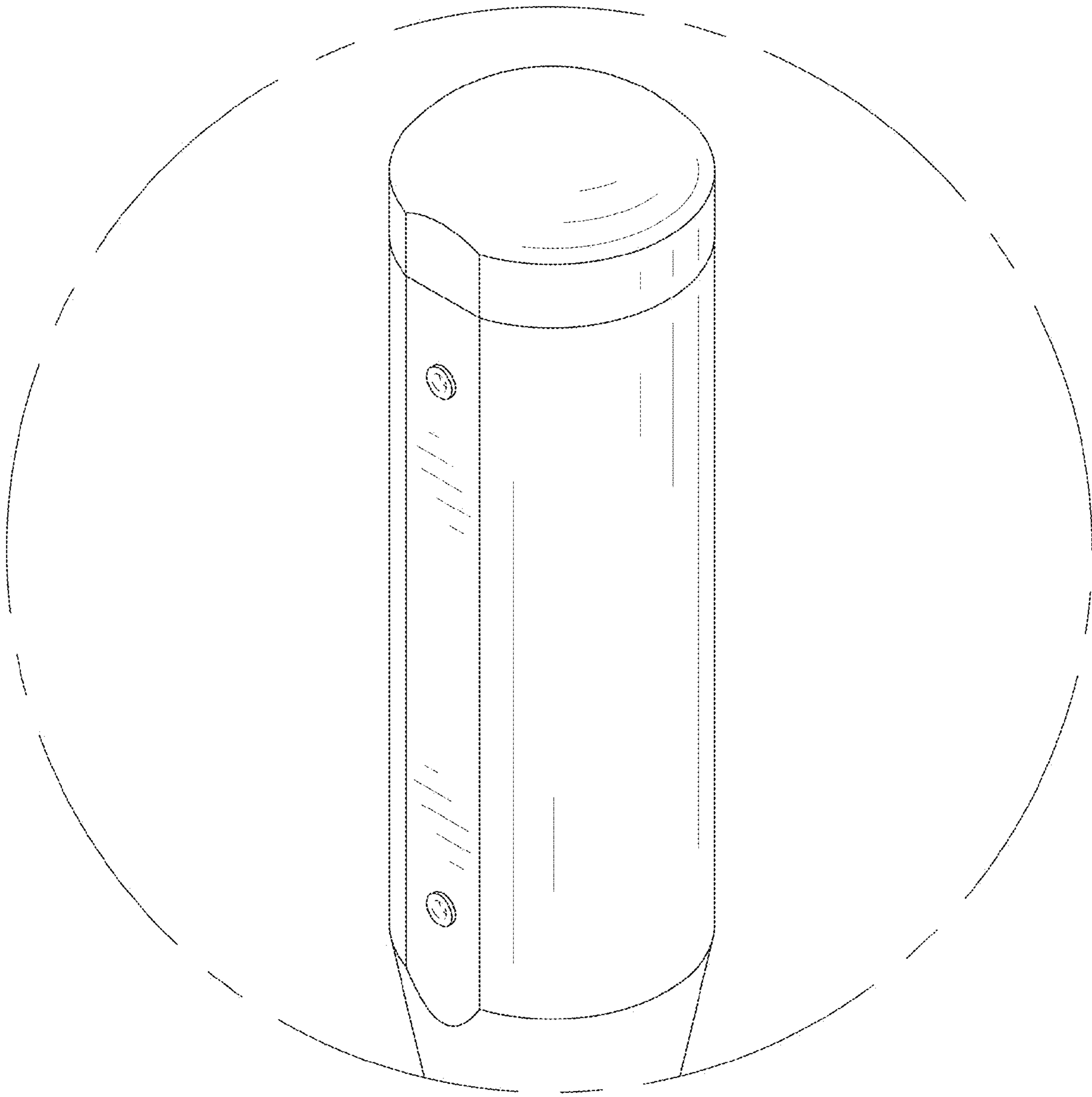


FIG. 9

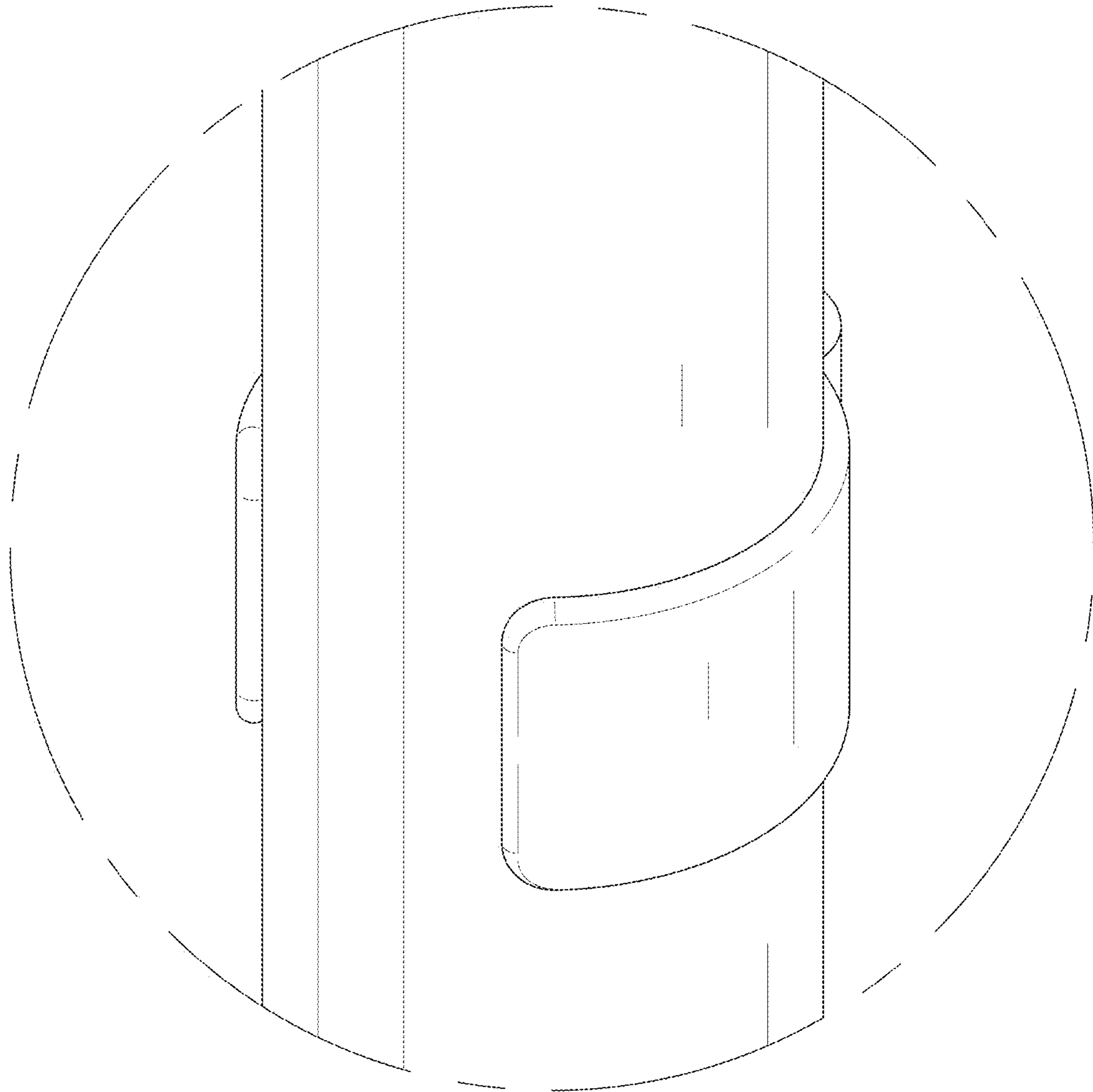


FIG. 10

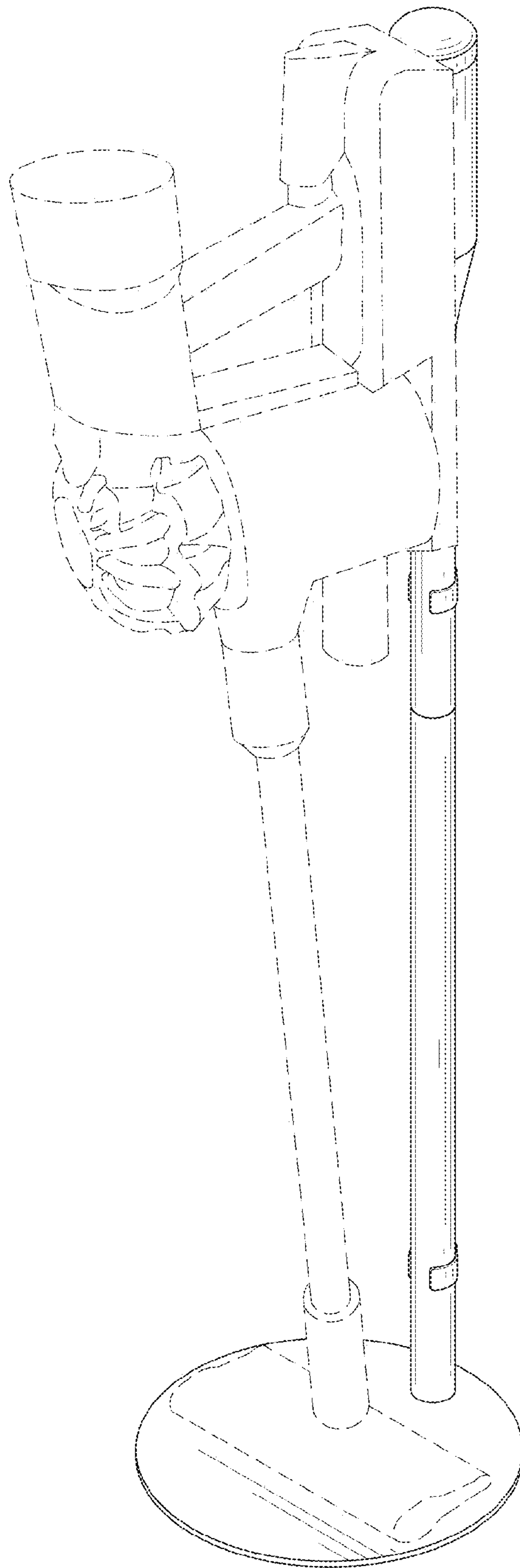


FIG. 11