



US00D878827S

(12) **United States Design Patent**  
**Smith et al.**

(10) **Patent No.: US D878,827 S**  
(45) **Date of Patent: \*\* Mar. 24, 2020**

(54) **DISPLAY STAND**

(71) Applicants: **William Thomas Smith**, Fair Oaks, CA (US); **Cheryl Ann Smith**, Fair Oaks, CA (US)

(72) Inventors: **William Thomas Smith**, Fair Oaks, CA (US); **Cheryl Ann Smith**, Fair Oaks, CA (US)

(73) Assignee: **ALL PLASTIC INC.**, Gold River, CA (US)

(\*\*) Term: **15 Years**

(21) Appl. No.: **29/669,631**

(22) Filed: **Nov. 9, 2018**

(51) **LOC (12) Cl.** ..... **20-02**

(52) **U.S. Cl.**  
USPC ..... **D6/672**

(58) **Field of Classification Search**  
USPC ..... D6/310, 311, 314, 672, 673, 675, 675.4, D6/682, 682.3, 700; D14/447, 451  
CPC .... A47F 5/16; A47F 2005/165; A47B 23/042; F16M 13/00; F16M 13/02; G09F 1/10; G09F 23/06

See application file for complete search history.

(56) **References Cited**

**U.S. PATENT DOCUMENTS**

1,743,520	A	1/1930	Baron	
1,883,806	A	10/1932	Martin	
D141,059	S *	5/1945	Siegel et al.	D6/314
2,409,814	A *	10/1946	Vargish	A47G 1/141
				40/745
2,434,860	A *	1/1948	Oxley	A47G 1/141
				248/460
3,086,658	A *	4/1963	Palmer	B42D 5/005
				211/50
D205,123	S *	6/1966	Giesecke	D6/311
3,847,305	A	11/1974	Tobin	

(Continued)

Primary Examiner — Steven J Czyz

(74) Attorney, Agent, or Firm — Ballard Spahr LLP

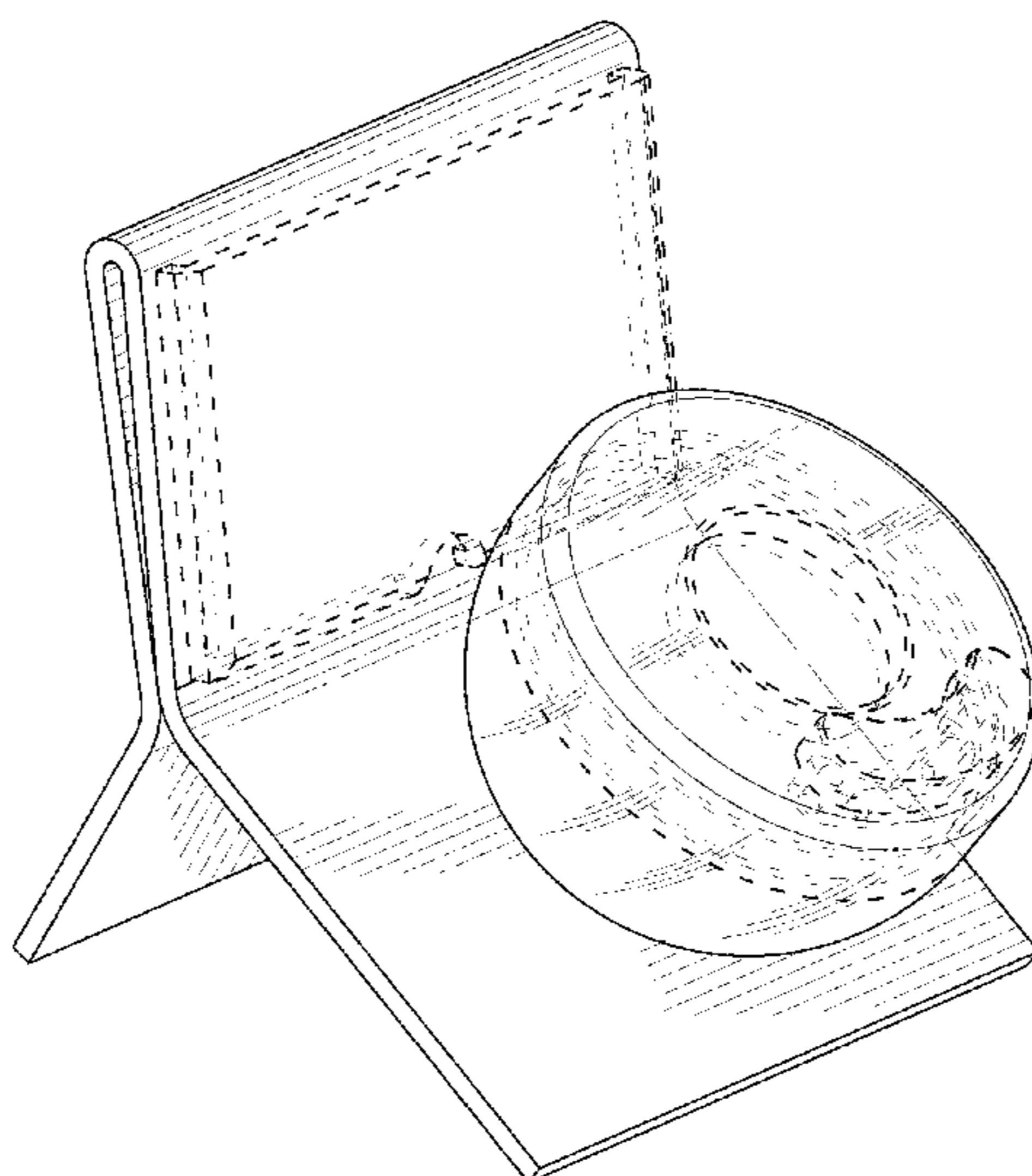
(57) **CLAIM**

We claim the ornamental design for a display stand, as shown and described.

**DESCRIPTION**

FIG. 1 is a perspective view of a display stand according to our invention;  
 FIG. 2 is a front view of the display stand shown in FIG. 1;  
 FIG. 3 is a rear view of the display stand shown in FIG. 1;  
 FIG. 4 is a left side view of the display stand shown in FIG. 1;  
 FIG. 5 is right side view of the display stand shown in FIG. 1;  
 FIG. 6 is a top plan view of the display stand shown in FIG. 1;  
 FIG. 7 is a bottom plan view of the display stand shown in FIG. 1;  
 FIG. 8 is a perspective view of a display stand according to a second embodiment of our invention;  
 FIG. 9 is a front view of the display stand shown in FIG. 8;  
 FIG. 10 is a rear plan view of the display stand shown in FIG. 8;  
 FIG. 11 is a left side view of the display stand shown in FIG. 8;  
 FIG. 12 is right side view of the display stand shown in FIG. 8;  
 FIG. 13 is a top plan view of the display stand shown in FIG. 8; and,  
 FIG. 14 is a bottom plan view of the display stand shown in FIG. 8.  
 The broken lines depict portions of the display stand that form no part of the claimed design.

**1 Claim, 14 Drawing Sheets**



(56)

References Cited

U.S. PATENT DOCUMENTS

3,853,263 A 12/1974 Otsuka  
 D251,426 S \* 3/1979 Molyneux ..... D14/229  
 D284,777 S \* 7/1986 Anthony ..... D19/91  
 D319,150 S \* 8/1991 Biddlecom ..... D6/314  
 D329,558 S \* 9/1992 Keown ..... D19/90  
 D329,763 S \* 9/1992 Cuminale ..... D6/310  
 D362,123 S \* 9/1995 Johnston ..... D6/303  
 D367,560 S \* 3/1996 Kwan ..... D30/101  
 D370,355 S \* 6/1996 Kenney ..... D6/310  
 D372,131 S \* 7/1996 Perkins, Jr. .... D20/40  
 D396,562 S \* 8/1998 Kenney ..... D6/300  
 D412,074 S \* 7/1999 DeWitt ..... D6/672  
 D424,330 S \* 5/2000 DeWitt ..... D6/672  
 D426,205 S \* 6/2000 Knoop ..... D19/91  
 6,132,123 A 10/2000 Gueret  
 6,205,688 B1 \* 3/2001 Grosser-Samuels ..... G09F 5/00  
 206/6.1  
 D457,011 S \* 5/2002 Wenner ..... D6/314  
 D473,721 S \* 4/2003 Chu ..... D6/314  
 D475,930 S \* 6/2003 Chang ..... D10/1  
 D499,890 S \* 12/2004 Peck ..... D6/306  
 D502,338 S \* 3/2005 Zanghi ..... D6/672  
 D540,068 S \* 4/2007 Zhang ..... D6/672  
 D581,681 S \* 12/2008 Goolrick ..... D6/314  
 D607,666 S \* 1/2010 Isbell ..... D6/672  
 D628,020 S 11/2010 Lim  
 D643,231 S \* 8/2011 Huang ..... D6/672  
 D646,904 S \* 10/2011 Feldstein ..... D6/310  
 D649,153 S \* 11/2011 Symons ..... D14/447

D649,594 S \* 11/2011 Yi ..... D20/15  
 D682,045 S 5/2013 Myoung  
 D683,141 S \* 5/2013 Symons ..... D14/447  
 D690,137 S \* 9/2013 Kikkert ..... D6/672  
 D690,138 S \* 9/2013 Kikkert ..... D6/672  
 D693,607 S \* 11/2013 Johnson ..... D6/672  
 D730,091 S \* 5/2015 Chan ..... D6/681  
 D782,853 S \* 4/2017 Foster ..... D6/682.3  
 D784,737 S \* 4/2017 Kroll ..... D20/29  
 D785,977 S \* 5/2017 Kroll ..... D20/29  
 D786,668 S 5/2017 Cornaglia  
 D787,840 S \* 5/2017 Spigler ..... D6/310  
 D789,348 S \* 6/2017 Kim ..... D14/250  
 RE46,460 E \* 7/2017 Kroll ..... D6/674  
 D806,450 S \* 1/2018 Seong ..... D6/672  
 D813,576 S \* 3/2018 Schwalbach ..... D6/677.4  
 D827,923 S 9/2018 Whetsel et al.  
 D830,744 S \* 10/2018 Kroll ..... D6/674  
 D850,165 S \* 6/2019 Eads ..... D6/672  
 D855,449 S 8/2019 Smith et al.  
 D856,045 S \* 8/2019 Schwalbach ..... D6/682  
 D856,046 S \* 8/2019 Akana ..... D6/682  
 D863,053 S 10/2019 Smith et al.  
 2010/0282924 A1 \* 11/2010 Boies ..... A47B 23/042  
 248/163.1  
 2014/0106608 A1 \* 4/2014 Howarth ..... F16M 13/02  
 439/531  
 2016/0223126 A1 \* 8/2016 Mireles ..... F16M 11/046  
 2018/0134447 A1 5/2018 Zimmer  
 2018/0160828 A1 6/2018 Turner et al.  
 2018/0282011 A1 10/2018 Evans

\* cited by examiner

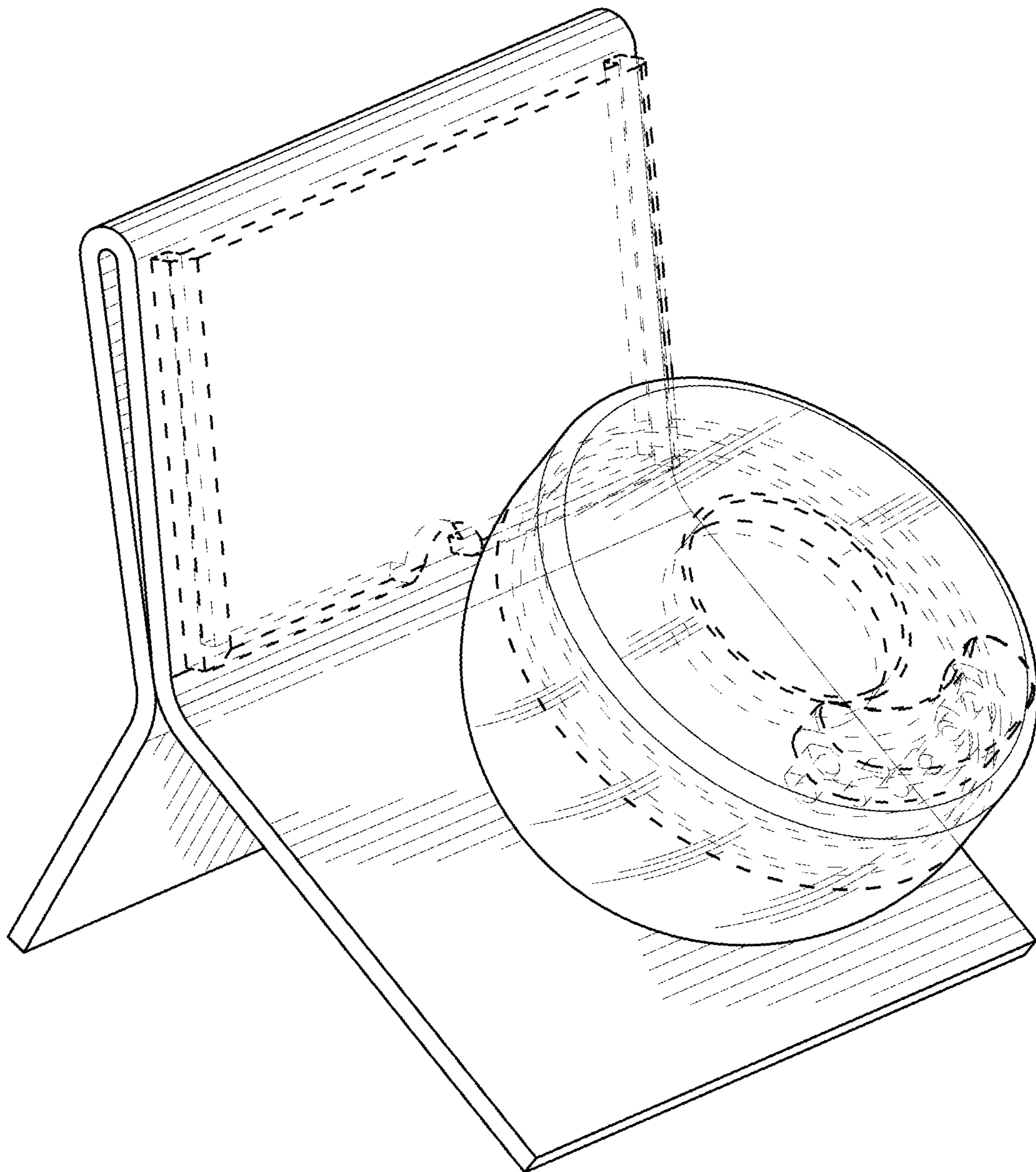


FIG. 1

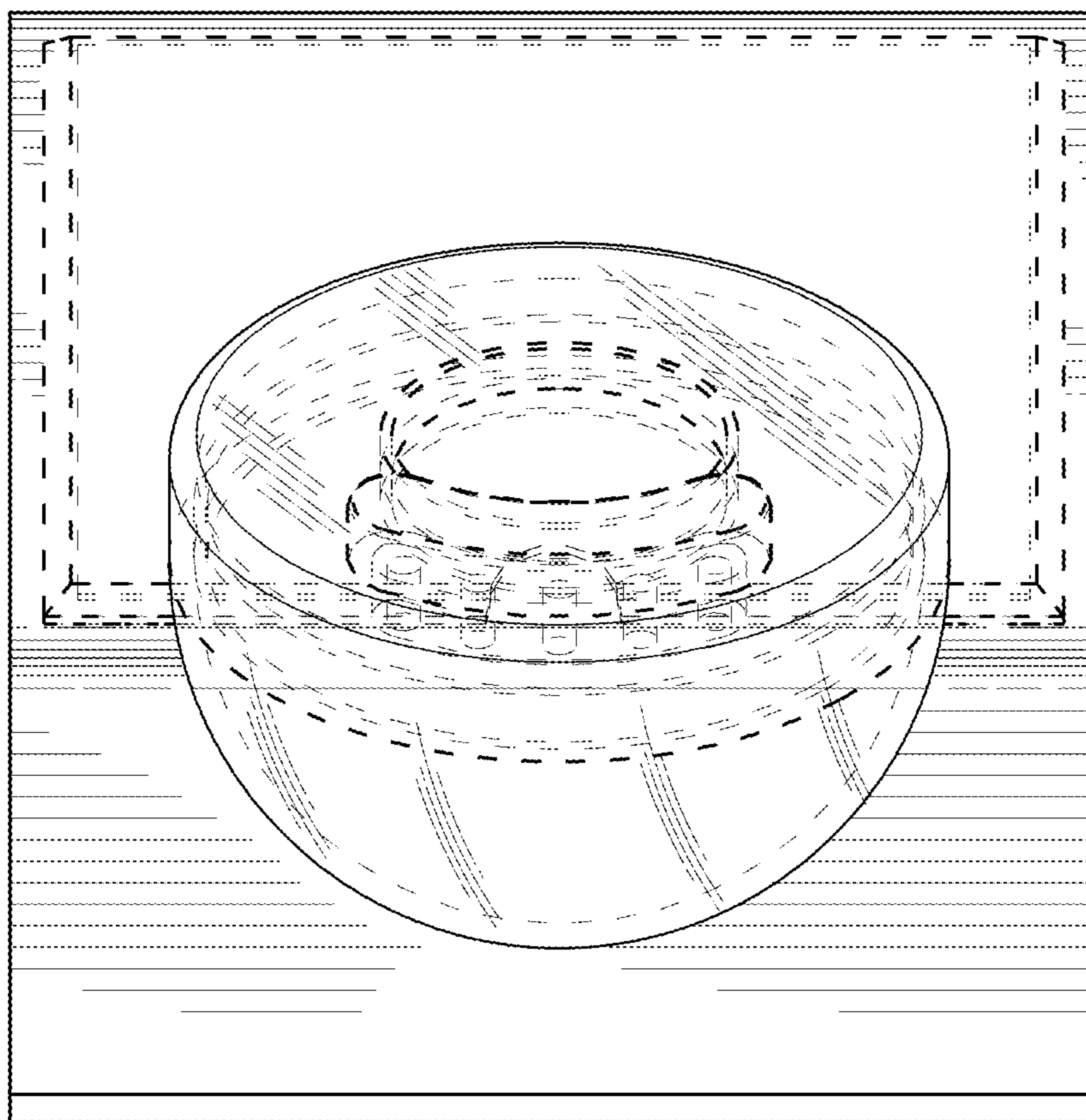


FIG.2

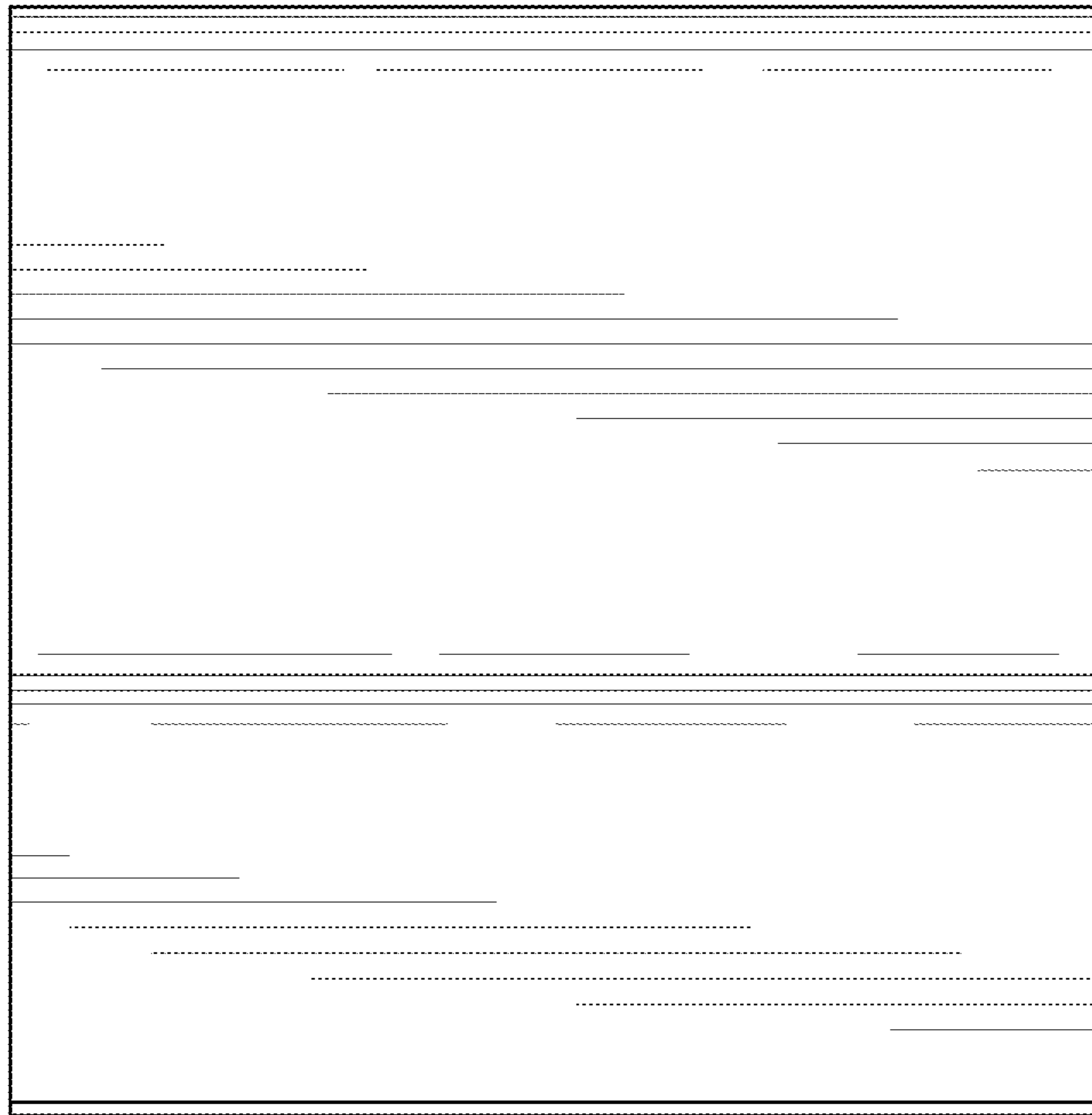


FIG.3

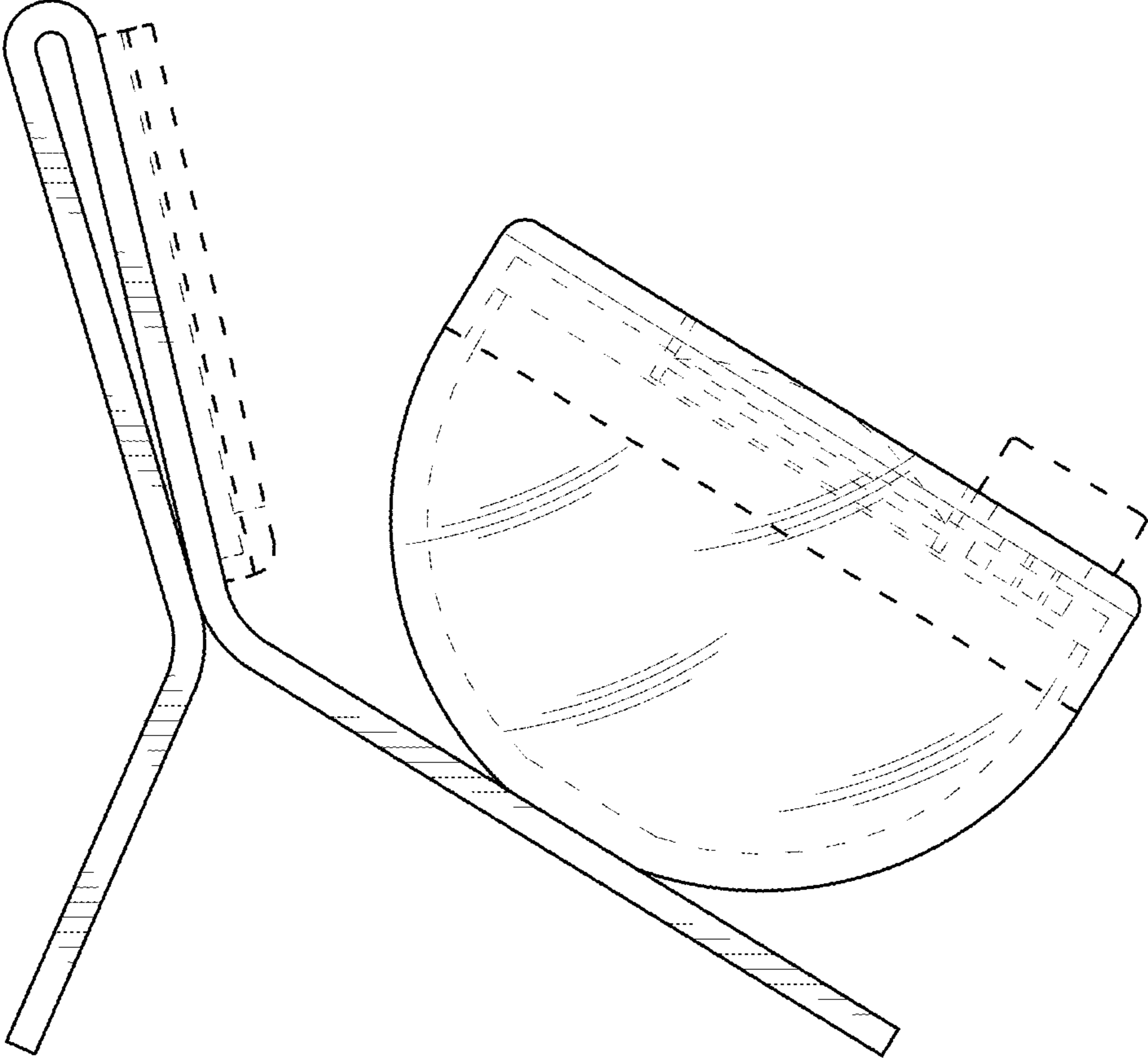


FIG.4

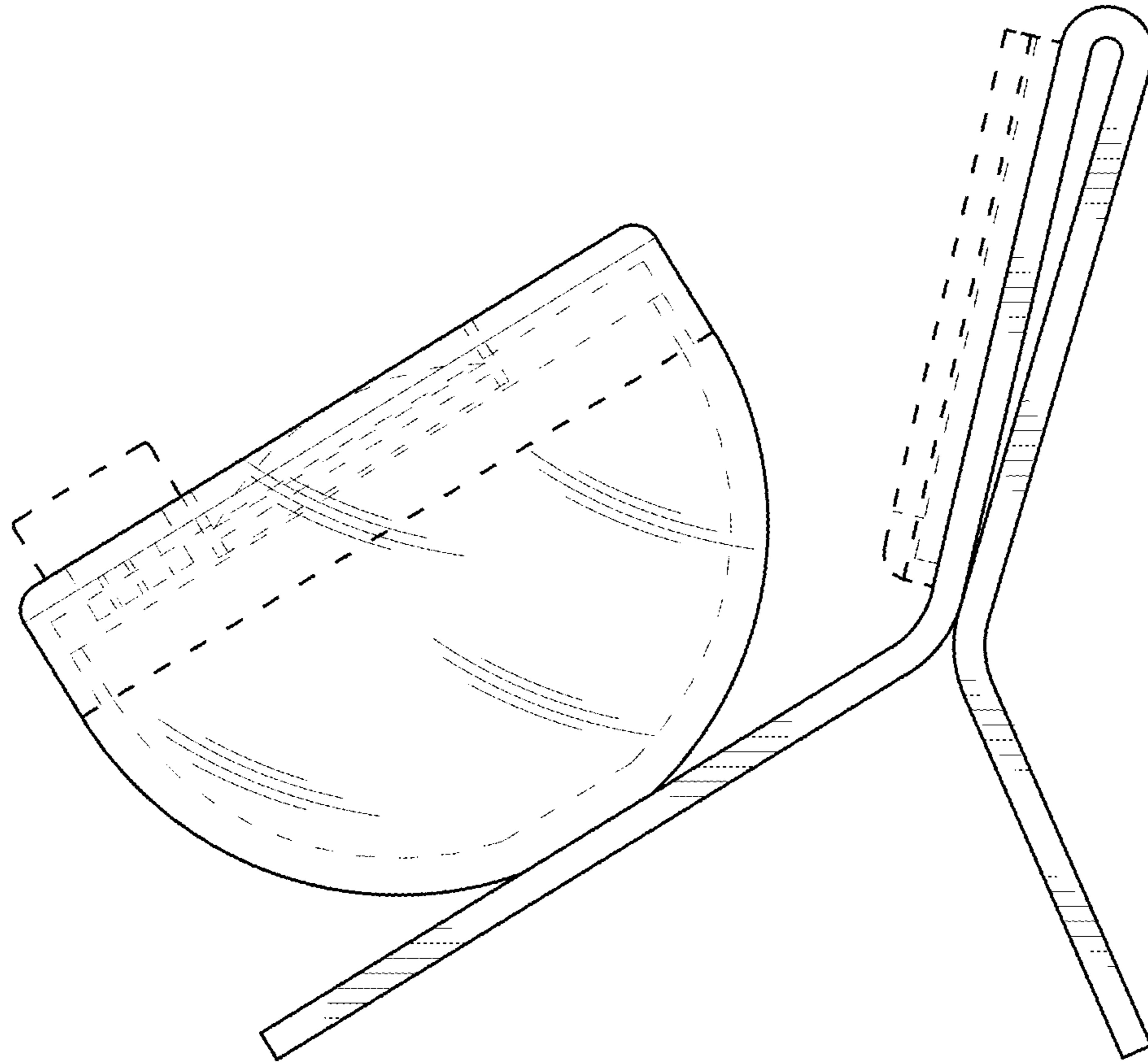


FIG.5

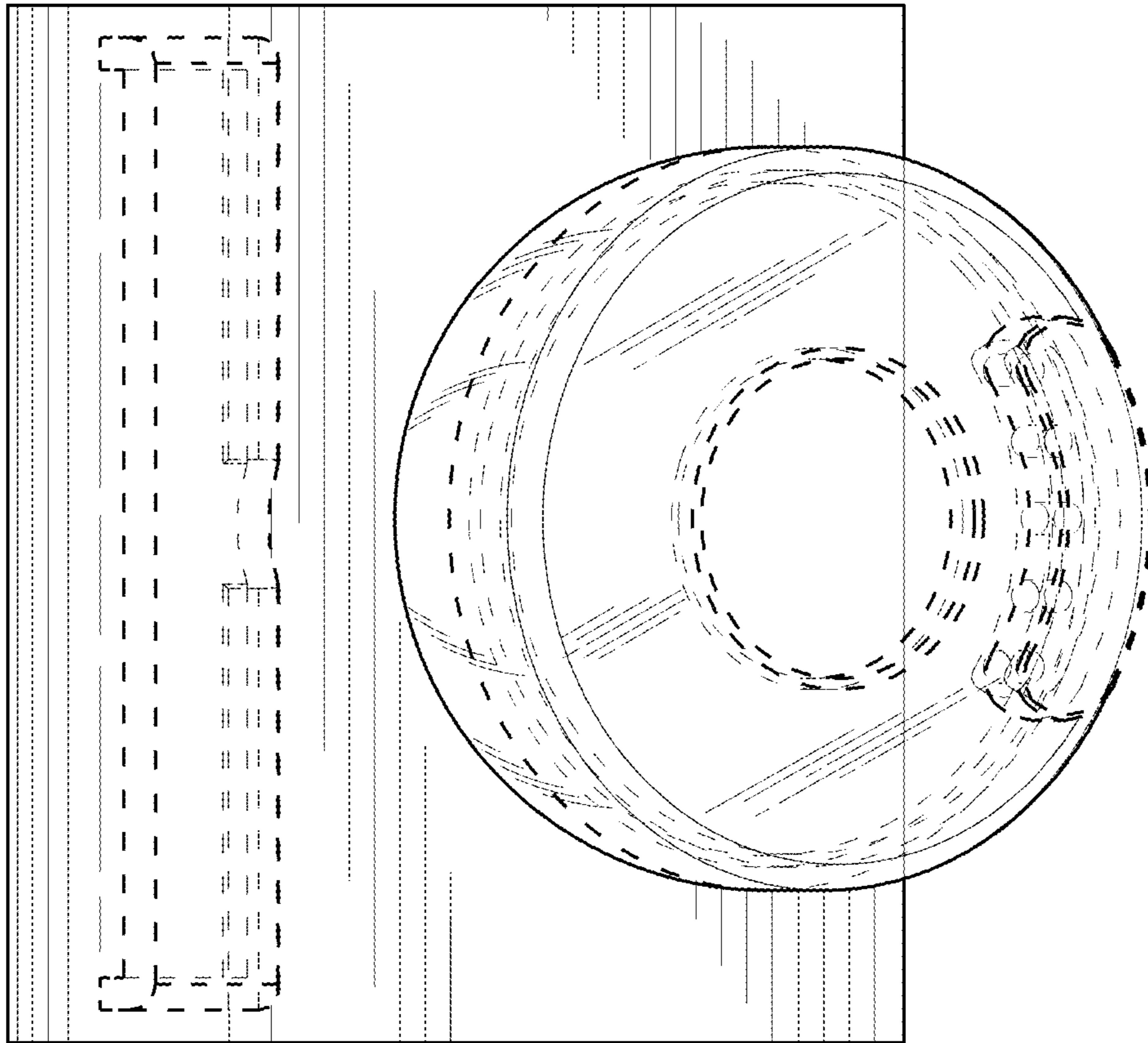


FIG.6



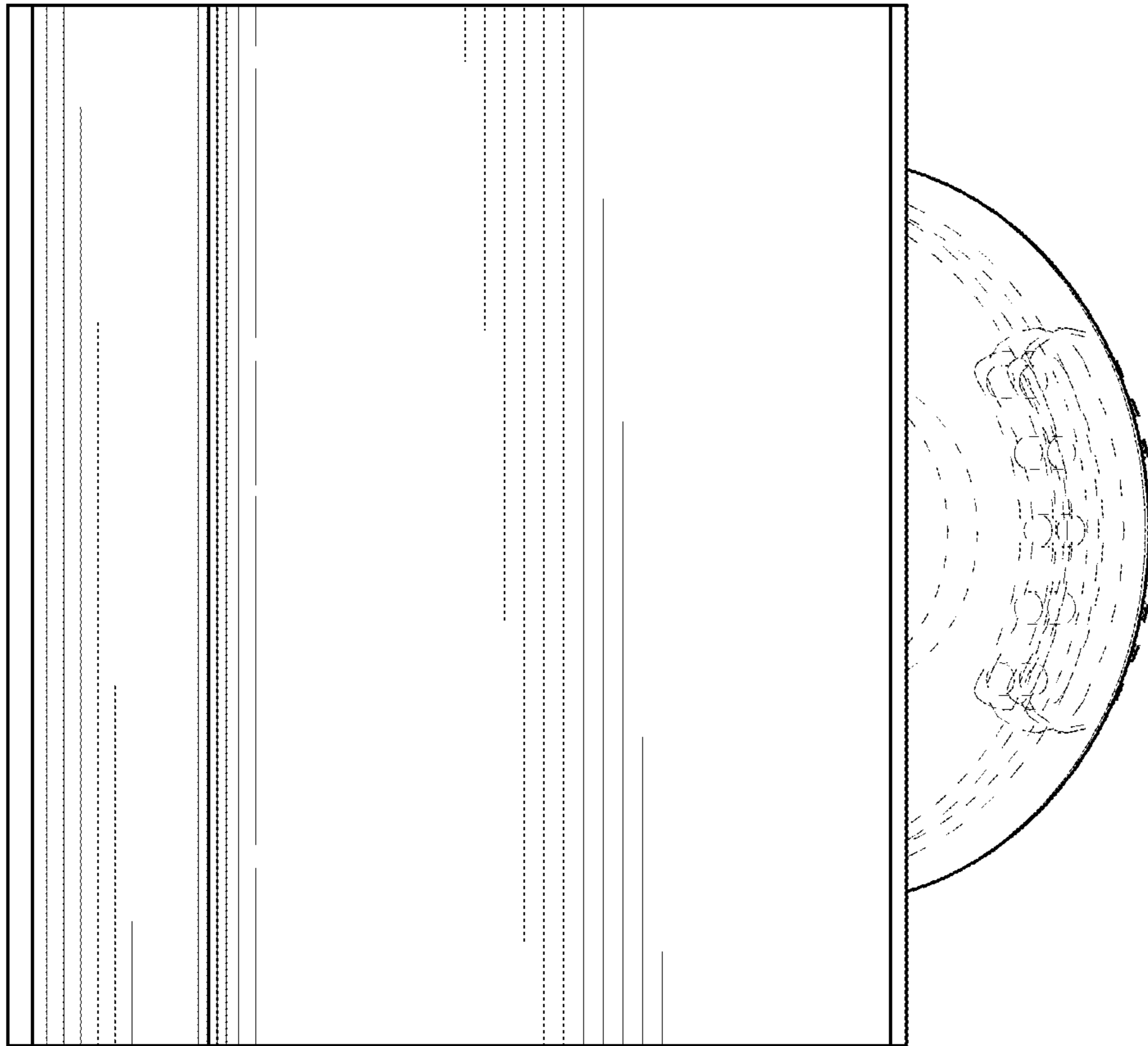


FIG.7

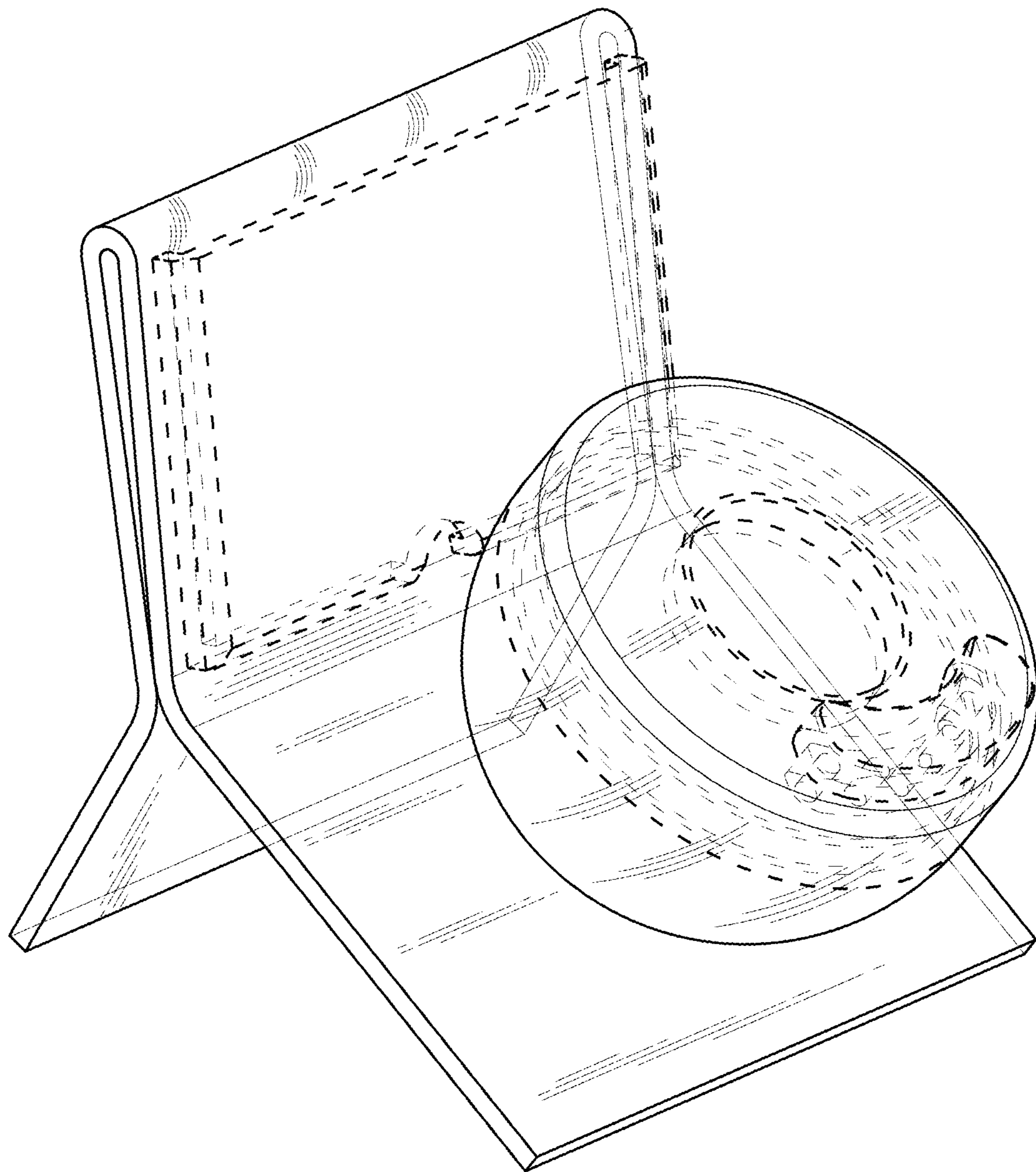


FIG.8

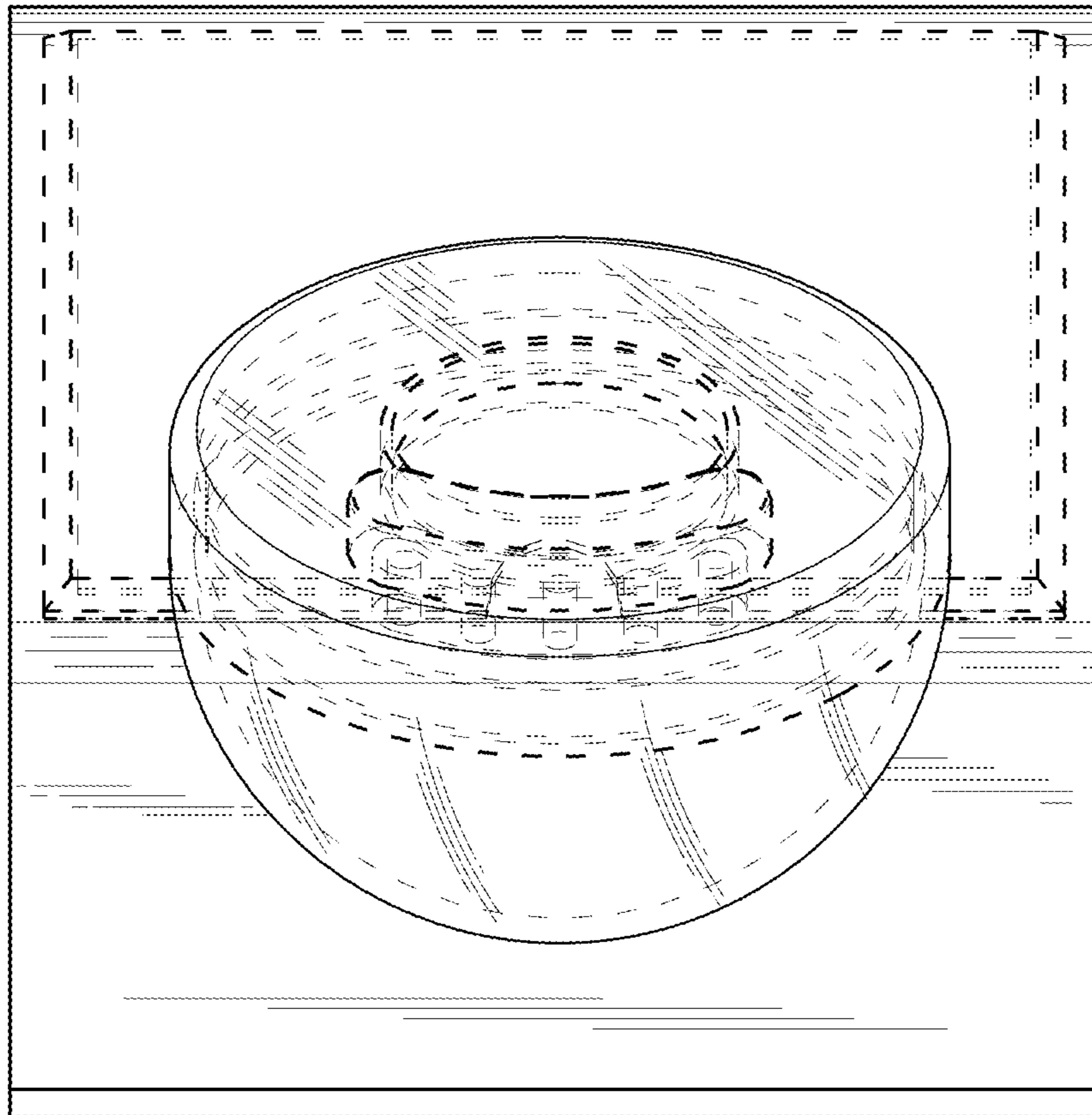


FIG.9

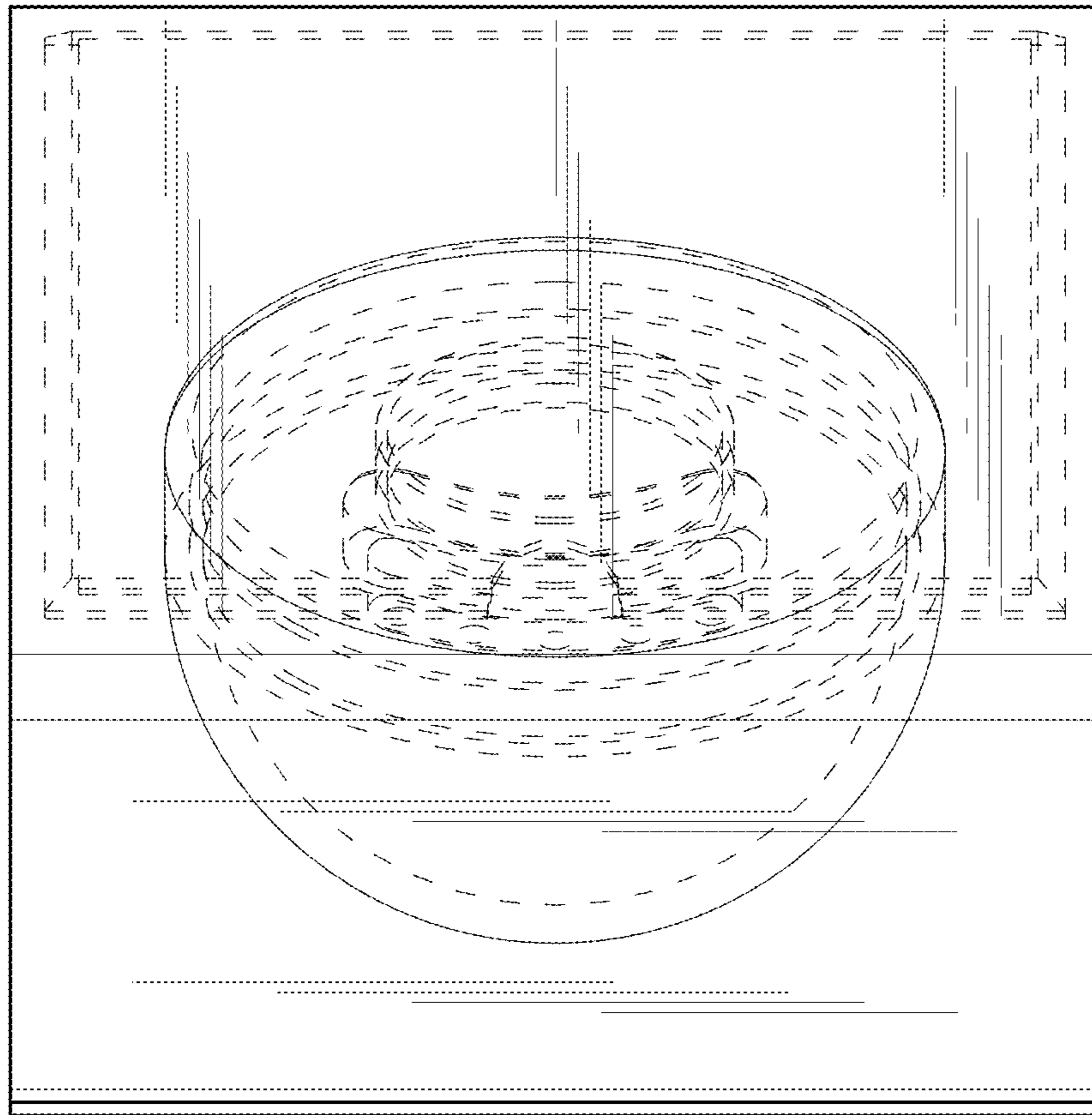


FIG.10

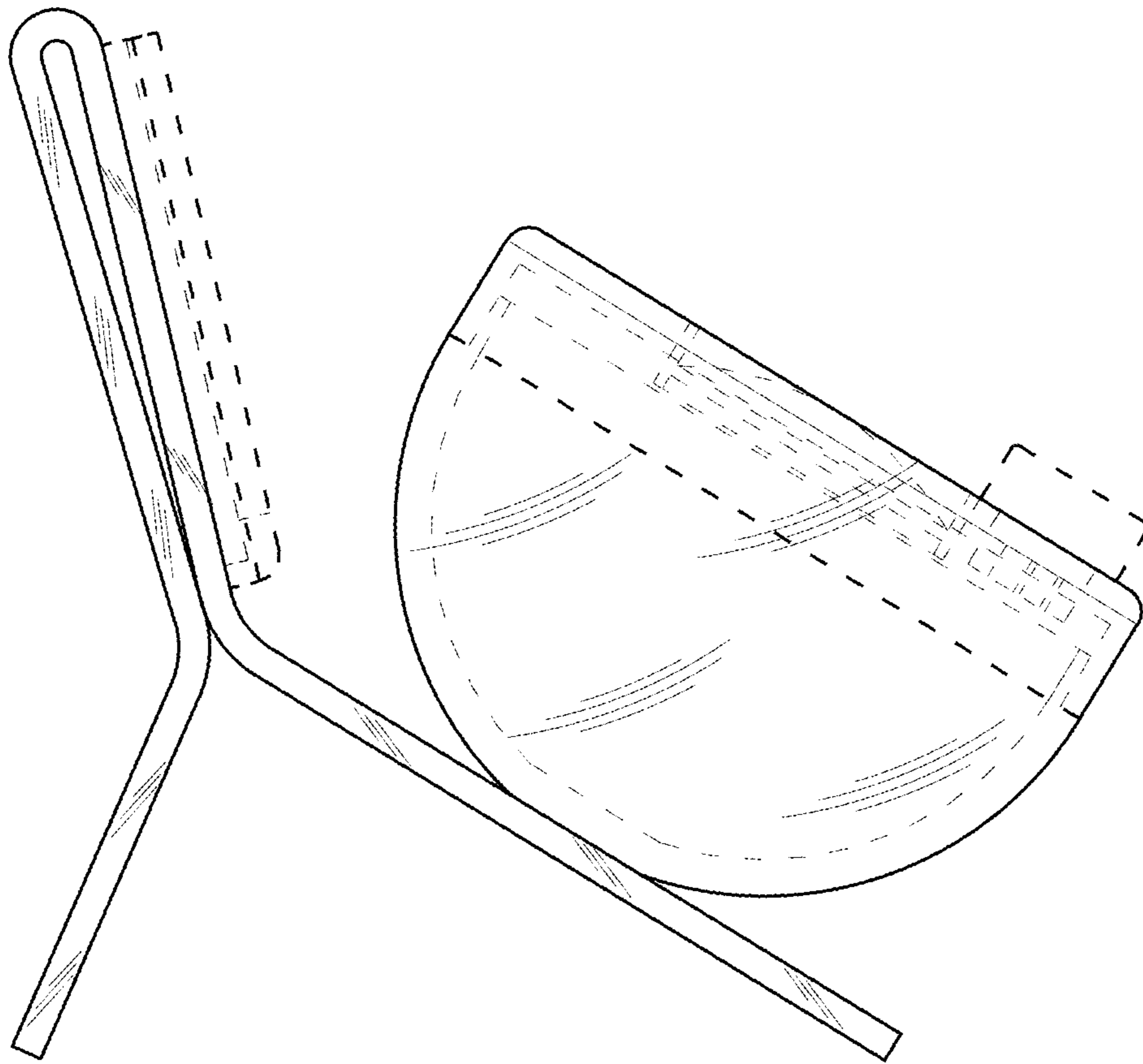


FIG.11

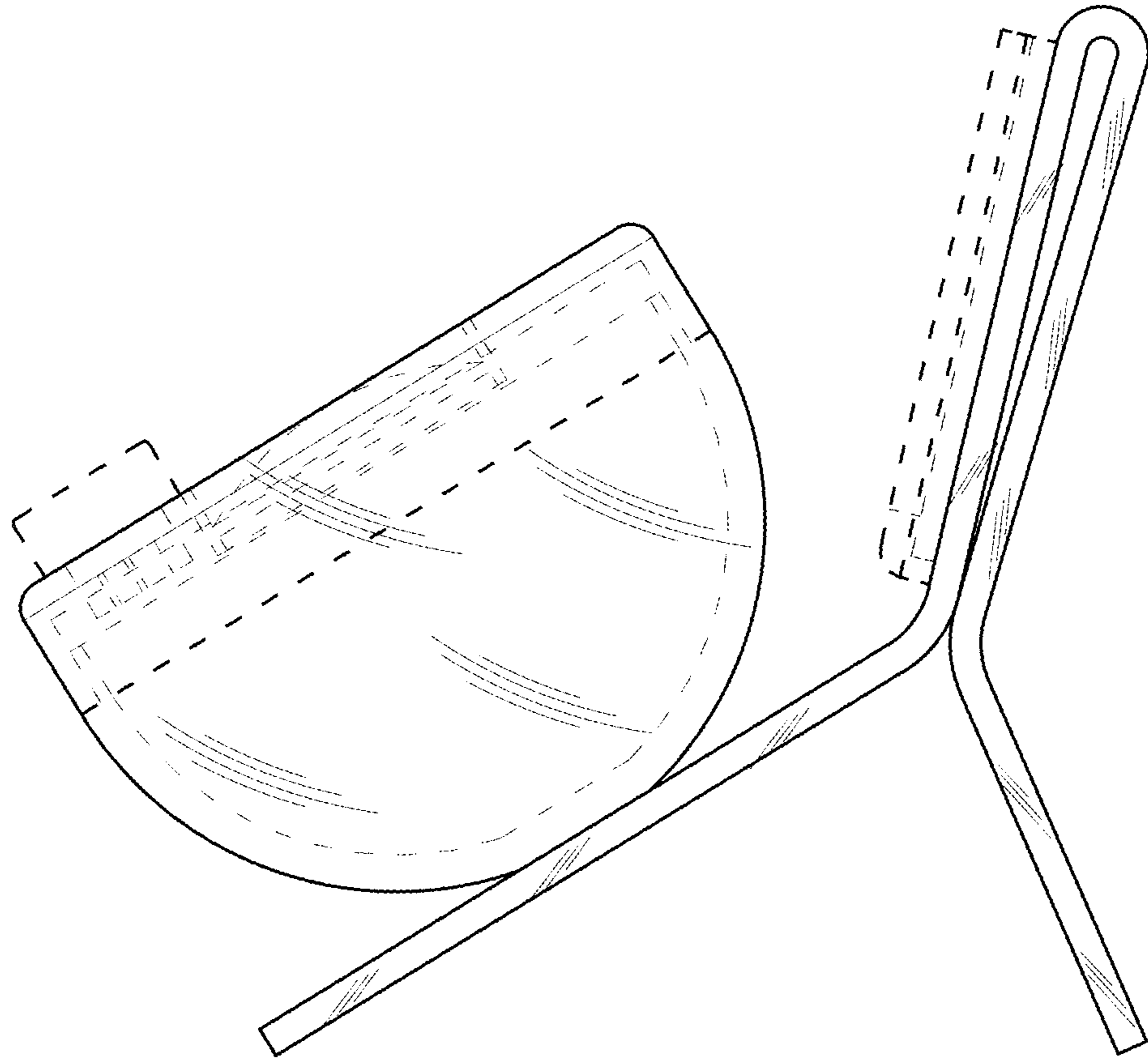


FIG.12

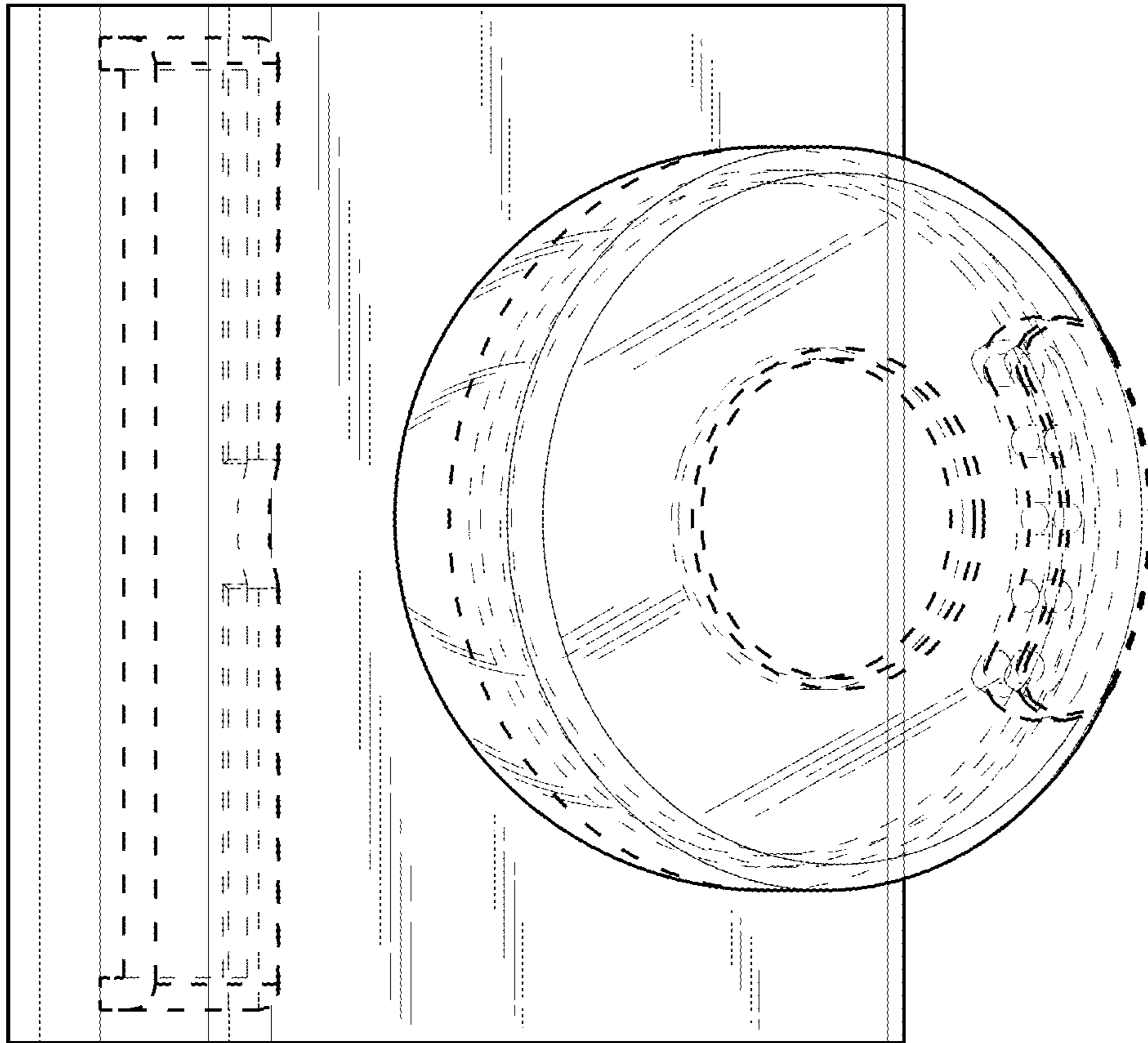


FIG. 13

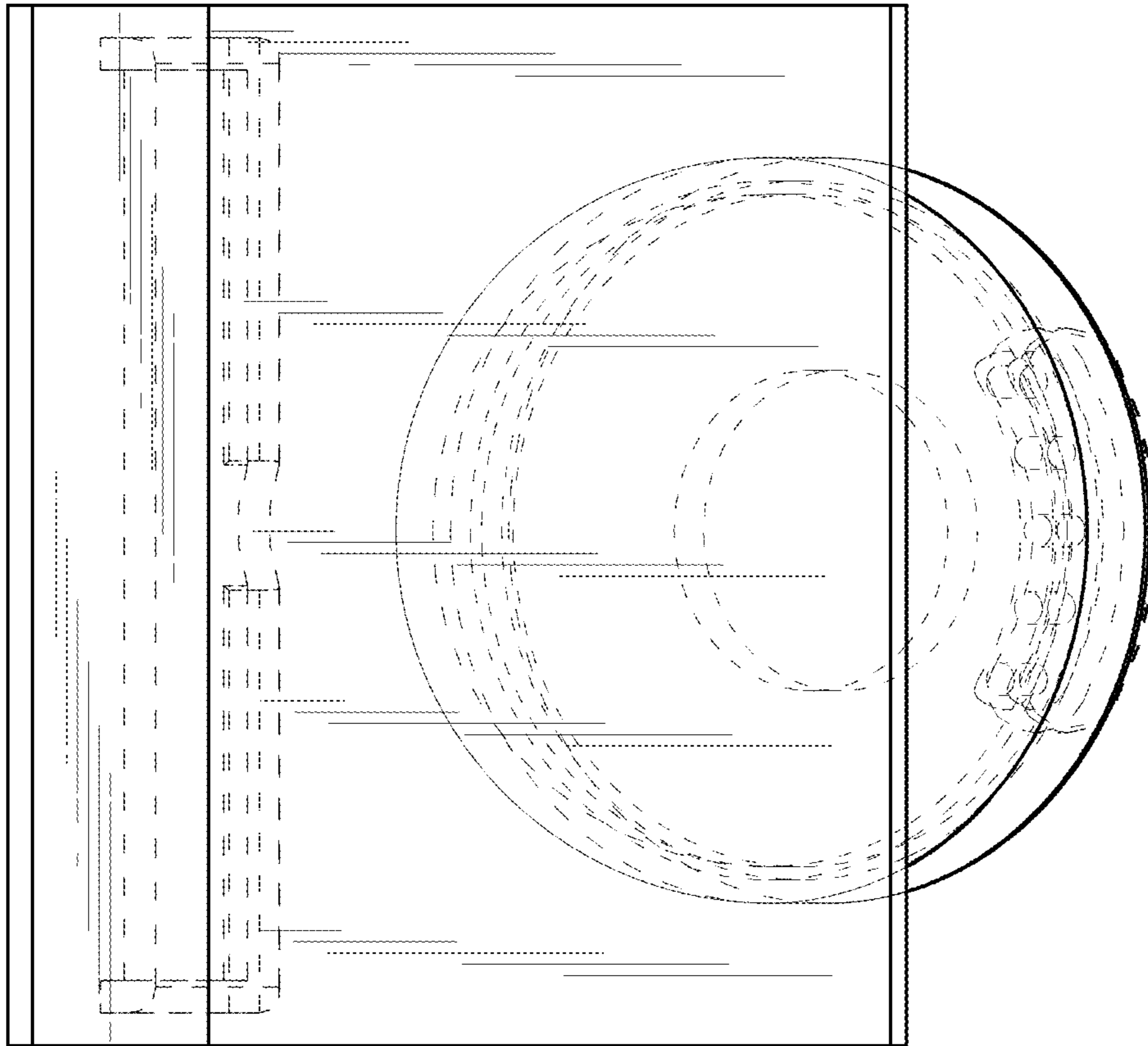


FIG.14