

US00D878826S

(12) **United States Design Patent**
Smith et al.

(10) **Patent No.:** **US D878,826 S**
(45) **Date of Patent:** **** Mar. 24, 2020**

(54) **DISPLAY STAND**

(71) Applicants: **William Thomas Smith**, Fair Oaks, CA (US); **Cheryl Ann Smith**, Fair Oaks, CA (US)

(72) Inventors: **William Thomas Smith**, Fair Oaks, CA (US); **Cheryl Ann Smith**, Fair Oaks, CA (US)

(73) Assignee: **ALL PLASTIC INC.**, Gold River, CA (US)

(**) Term: **15 Years**

(21) Appl. No.: **29/669,162**

(22) Filed: **Nov. 6, 2018**

(51) **LOC (12) Cl.** **20-02**

(52) **U.S. Cl.**
USPC **D6/672**

(58) **Field of Classification Search**
USPC D6/310, 311, 314, 672, 673, 674, 675, D6/675.4, 682, 682.3, 700; D14/451, 447
CPC A47F 5/16; A47F 2005/165; A47B 23/042; F16M 13/00; F16M 13/02; G09F 1/10; G09F 23/06

See application file for complete search history.

(56) **References Cited**

U.S. PATENT DOCUMENTS

| | | | | |
|-----------|-----|---------|---------------|------------|
| 1,743,520 | A | 1/1930 | Baron | |
| 1,883,806 | A | 10/1932 | Martin | |
| D141,059 | S * | 5/1945 | Siegel et al. | D6/314 |
| 2,409,814 | A * | 10/1946 | Vargish | A47G 1/141 |
| | | | | 40/745 |
| 2,434,860 | A * | 1/1948 | Oxley | A47G 1/141 |
| | | | | 248/460 |
| 3,086,658 | A * | 4/1963 | Palmer | B42D 5/005 |
| | | | | 211/50 |
| D205,123 | S * | 6/1966 | Giesecke | D6/311 |
| 3,847,305 | A | 11/1974 | Tobin | |

(Continued)

Primary Examiner — Steven J Czyz

(74) *Attorney, Agent, or Firm* — Ballard Spahr LLP

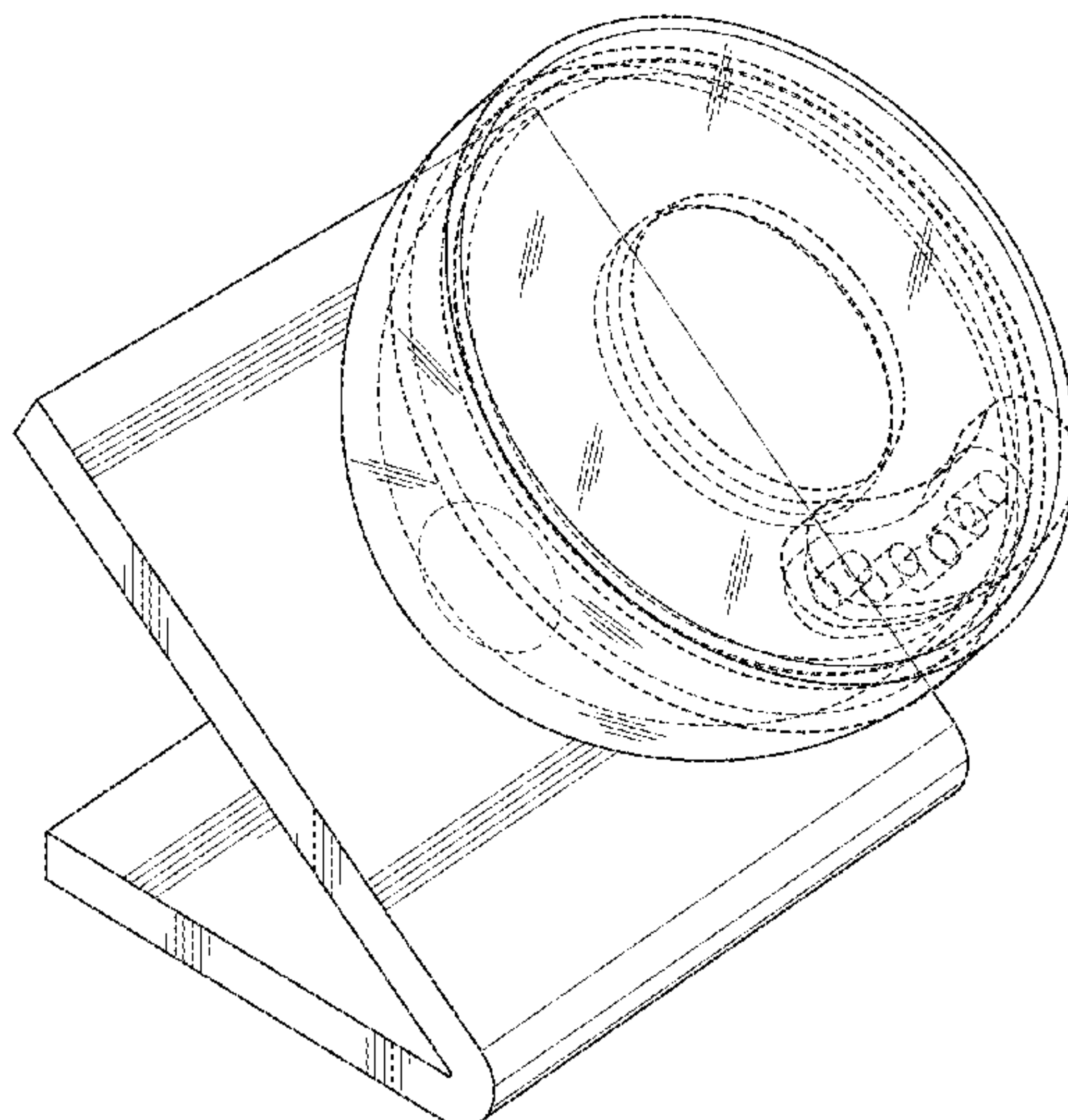
(57) **CLAIM**

We claim the ornamental design for a display stand, as shown and described.

DESCRIPTION

FIG. 1 is a perspective view of a display stand according to our invention;
 FIG. 2 is a top plan view of the display stand shown in FIG. 1;
 FIG. 3 is a bottom plan view of the display stand shown in FIG. 1;
 FIG. 4 is a left side view of the display stand shown in FIG. 1;
 FIG. 5 is right side view of the display stand shown in FIG. 1;
 FIG. 6 is a front view of the display stand shown in FIG. 1;
 FIG. 7 is a rear view of the display stand shown in FIG. 1;
 FIG. 8 is a perspective view of a display stand according to a second embodiment of our invention;
 FIG. 9 is a top plan view of the display stand shown in FIG. 8;
 FIG. 10 is a bottom plan view of the display stand shown in FIG. 8;
 FIG. 11 is a left side view of the display stand shown in FIG. 8;
 FIG. 12 is right side view of the display stand shown in FIG. 8;
 FIG. 13 is a front view of the display stand shown in FIG. 8; and,
 FIG. 14 is a rear view of the display stand shown in FIG. 8.
 The broken lines depict portions of the display stand that form no part of the claimed design.

1 Claim, 14 Drawing Sheets



(56)

References Cited

U.S. PATENT DOCUMENTS

3,853,263 A 12/1974 Otsuka
 D251,426 S * 3/1979 Molyneux D14/229
 D284,777 S * 7/1986 Anthony D19/91
 D319,150 S * 8/1991 Biddlecom D6/314
 D329,558 S * 9/1992 Keown D19/90
 D329,763 S * 9/1992 Cuminale D6/310
 D362,123 S * 9/1995 Johnston D6/303
 D367,560 S * 3/1996 Kwan D30/101
 D370,355 S * 6/1996 Kenney D6/310
 D372,131 S * 7/1996 Perkins, Jr. D20/40
 D396,562 S * 8/1998 Kenney D6/300
 D412,074 S * 7/1999 DeWitt D6/672
 D424,330 S * 5/2000 DeWitt D6/672
 D426,205 S * 6/2000 Knoop D19/91
 6,132,123 A 10/2000 Gueret
 6,205,688 B1 * 3/2001 Grosser-Samuels G09F 5/00
 206/6.1
 D457,011 S * 5/2002 Wenner D6/314
 D473,721 S * 4/2003 Chu D6/314
 D475,930 S * 6/2003 Chang D10/1
 D499,890 S * 12/2004 Peck D6/306
 D502,338 S * 3/2005 Zanghi D6/672
 D540,068 S * 4/2007 Zhang D6/672
 D581,681 S * 12/2008 Goolrick D6/314
 D607,666 S * 1/2010 Isbell D6/672
 D628,020 S 11/2010 Lim
 D643,231 S * 8/2011 Huang D6/672
 D646,904 S * 10/2011 Feldstein D6/310
 D649,153 S * 11/2011 Symons D14/447

D649,594 S * 11/2011 Yi D20/15
 D682,045 S 5/2013 Myoung
 D683,141 S * 5/2013 Symons D14/447
 D690,137 S * 9/2013 Kikkert D6/672
 D690,138 S * 9/2013 Kikkert D6/672
 D693,607 S * 11/2013 Johnson D6/672
 D730,091 S * 5/2015 Chan D6/681
 D782,853 S * 4/2017 Foster D6/682.3
 D784,737 S * 4/2017 Kroll D20/29
 D785,977 S * 5/2017 Kroll D20/29
 D786,668 S 5/2017 Cornaglia
 D787,840 S * 5/2017 Spigler D6/310
 D789,348 S * 6/2017 Kim D14/250
 RE46,460 E * 7/2017 Kroll D6/674
 D806,450 S * 1/2018 Seong D6/672
 D813,576 S * 3/2018 Schwalbach D6/677.4
 D827,923 S 9/2018 Whetsel et al.
 D830,744 S * 10/2018 Kroll D6/674
 D850,165 S * 6/2019 Eads D6/672
 D855,449 S 8/2019 Smith et al.
 D856,045 S * 8/2019 Schwalbach D6/682
 D856,046 S * 8/2019 Akana D6/682
 D863,053 S 10/2019 Smith et al.
 2010/0282924 A1 * 11/2010 Boies A47B 23/042
 248/163.1
 2014/0106608 A1 * 4/2014 Howarth F16M 13/02
 439/531
 2016/0223126 A1 * 8/2016 Mireles F16M 11/046
 2018/0134447 A1 5/2018 Zimmer
 2018/0160828 A1 6/2018 Turner et al.
 2018/0282011 A1 10/2018 Evans

* cited by examiner

Fig. 1

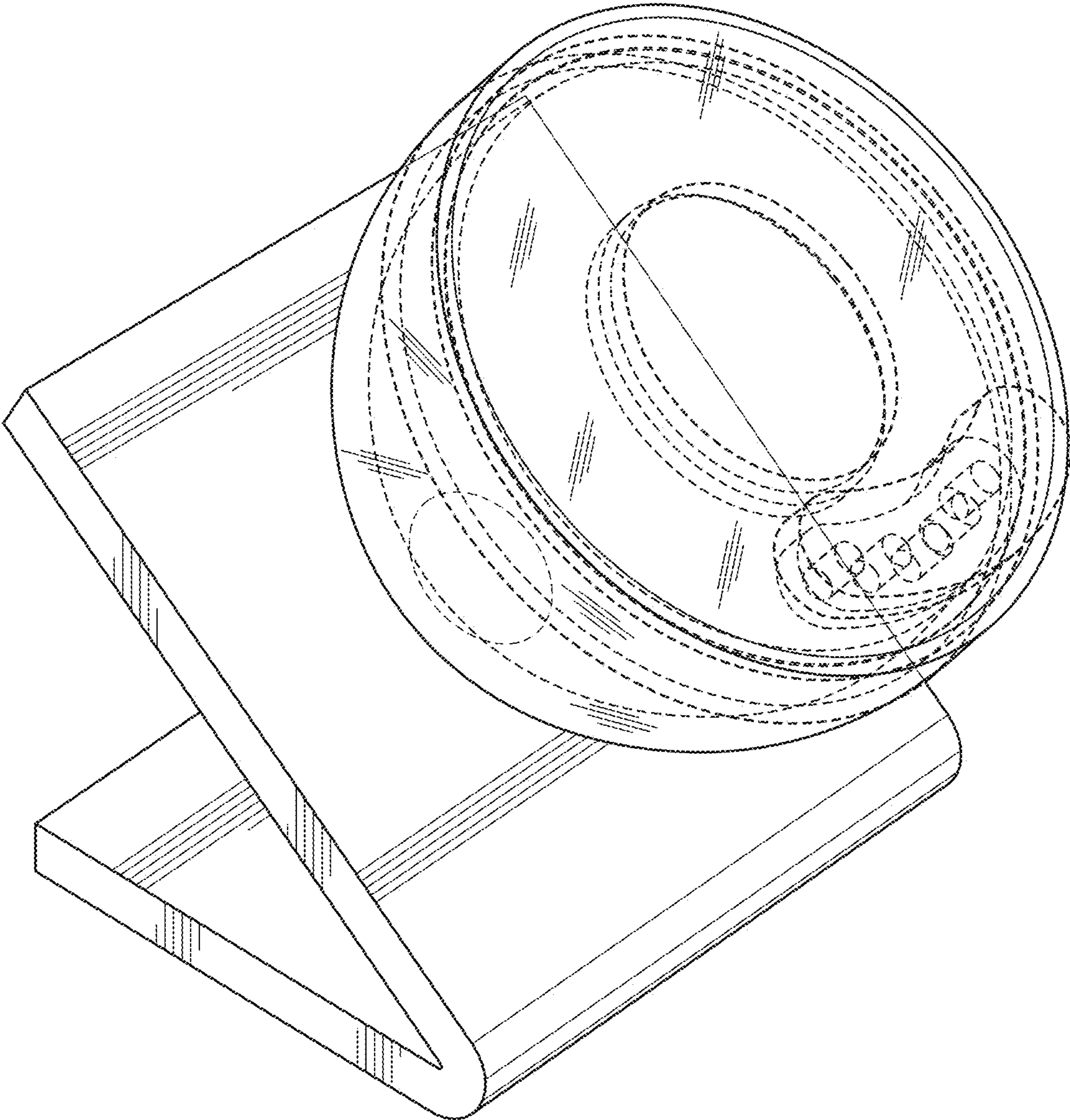


Fig. 2

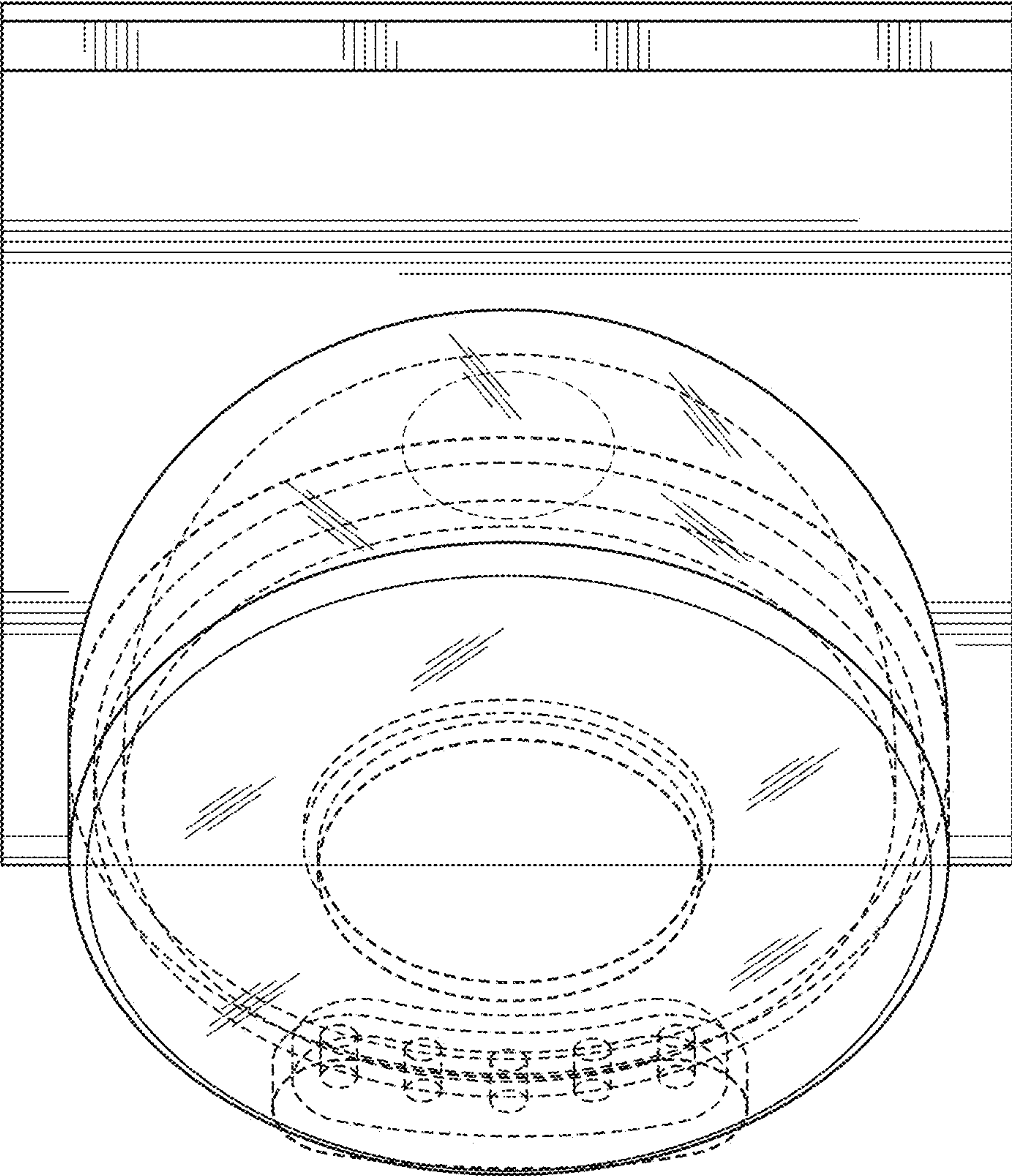


Fig. 3

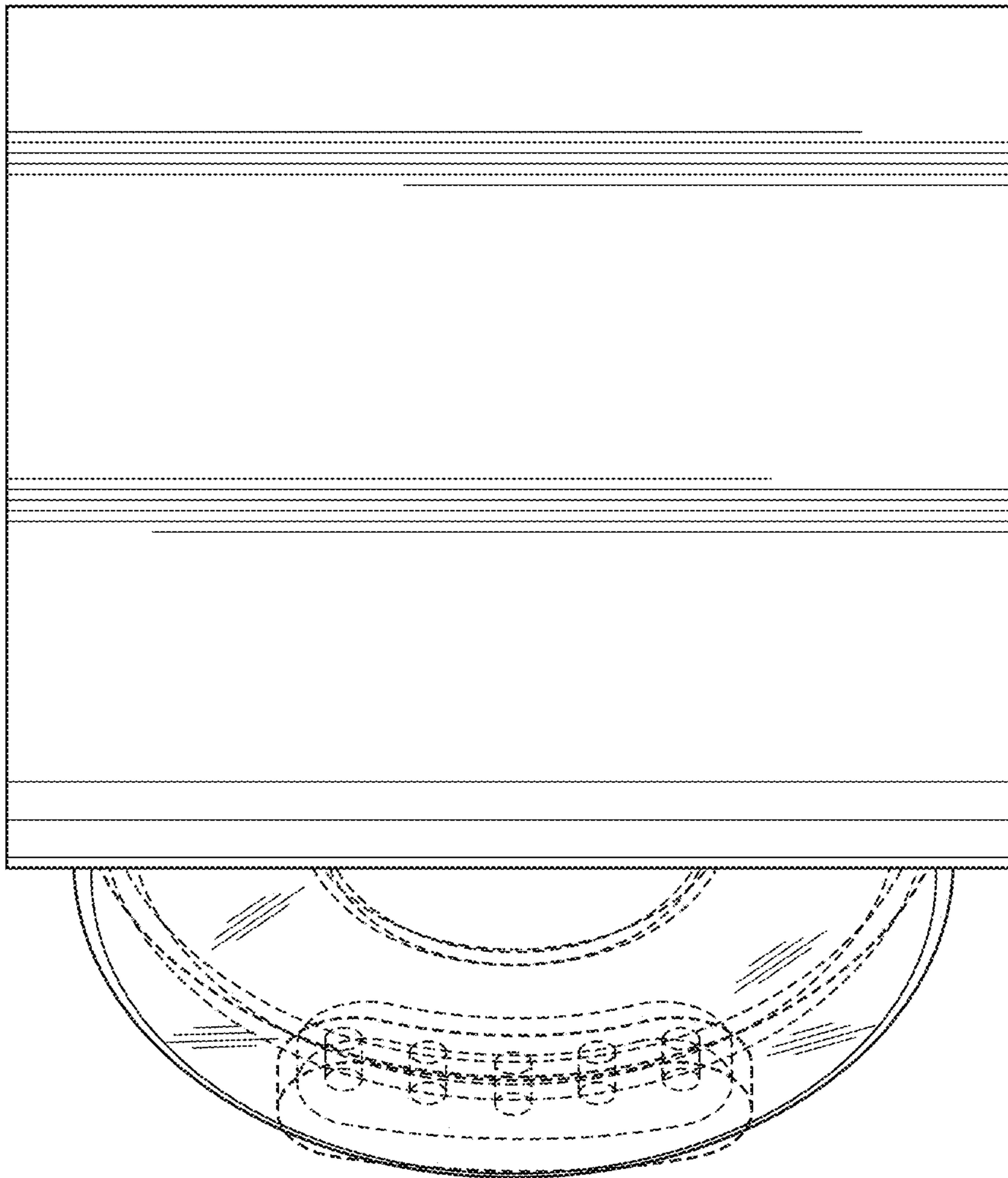


Fig. 4

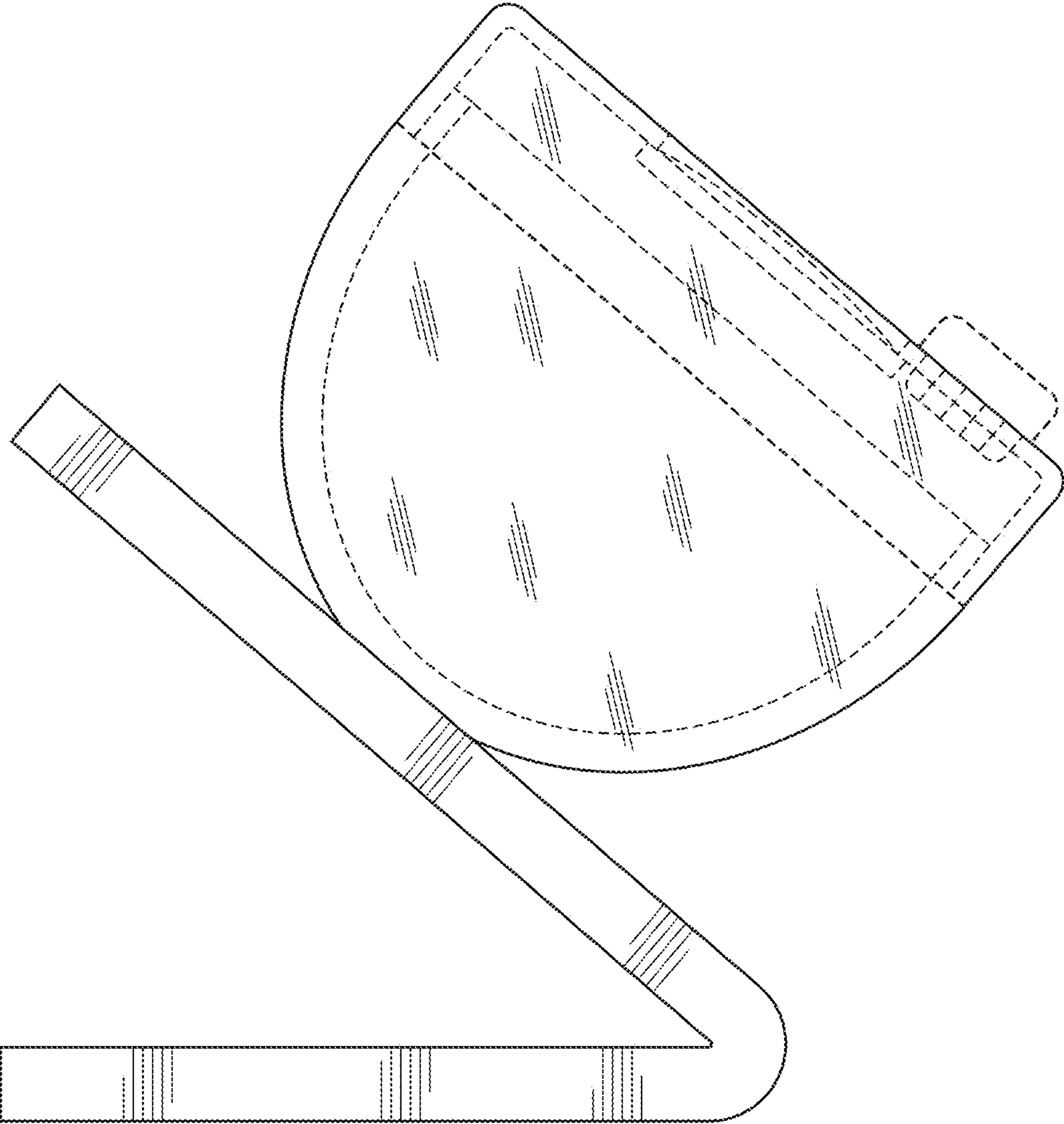


Fig. 5

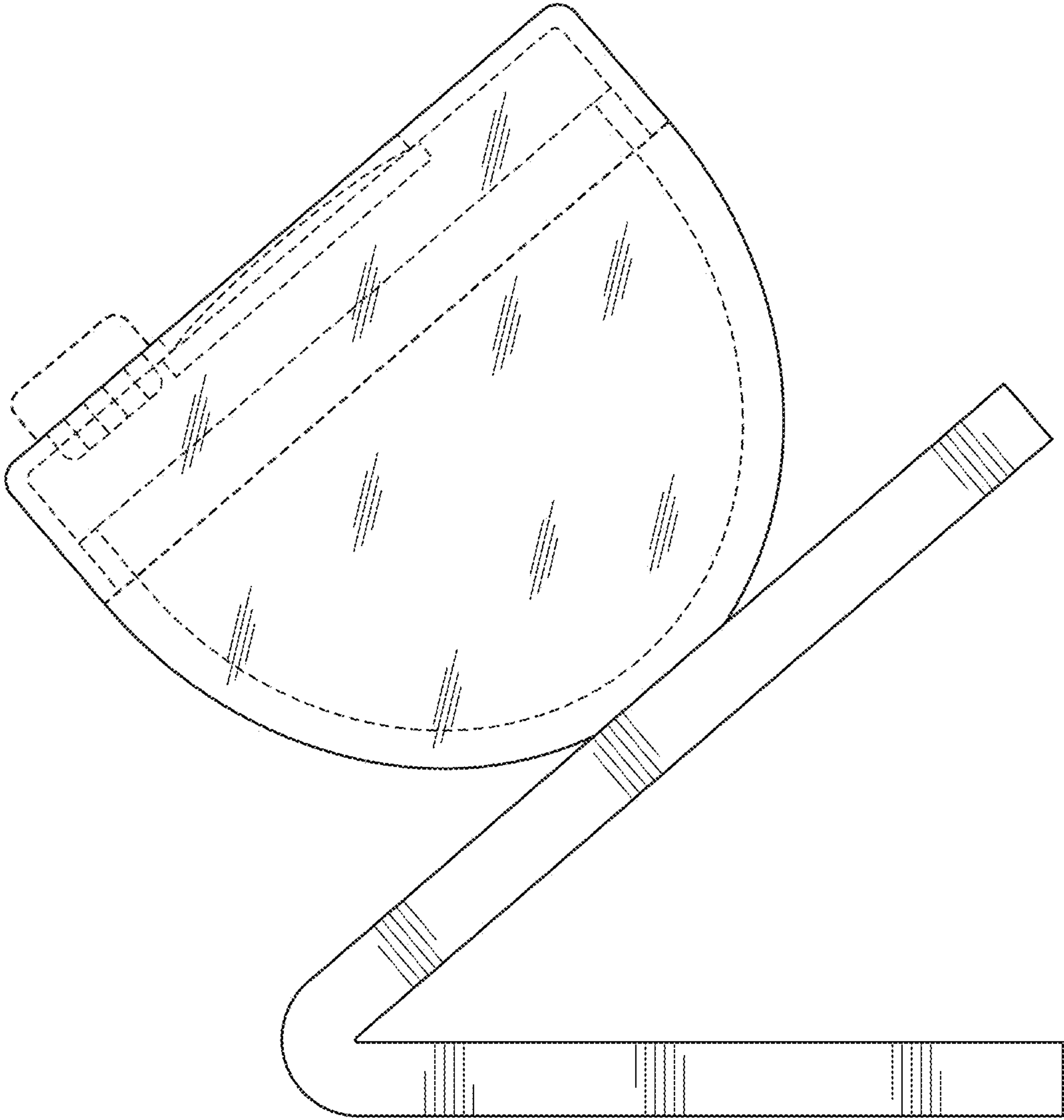


Fig. 6

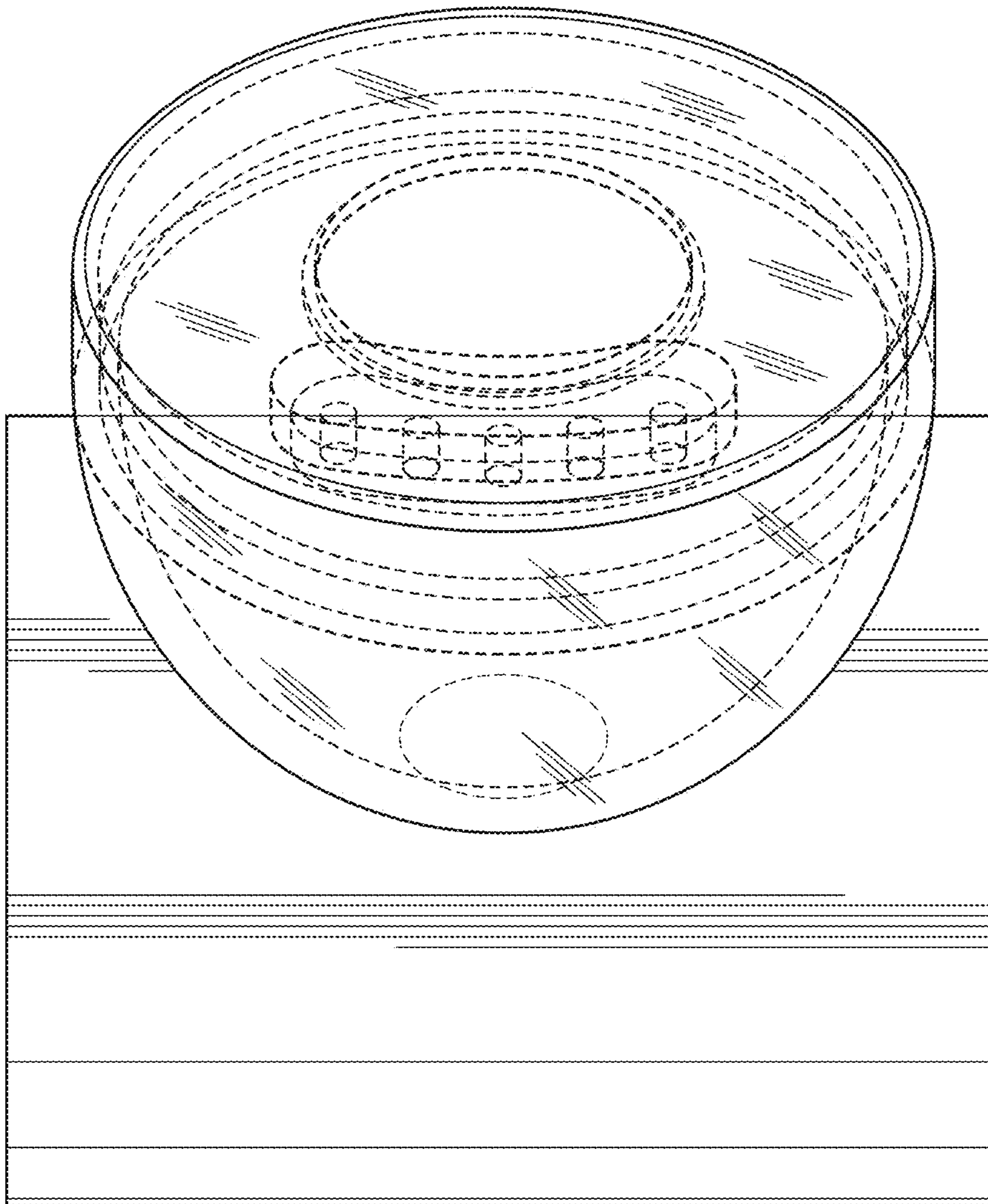


Fig. 7

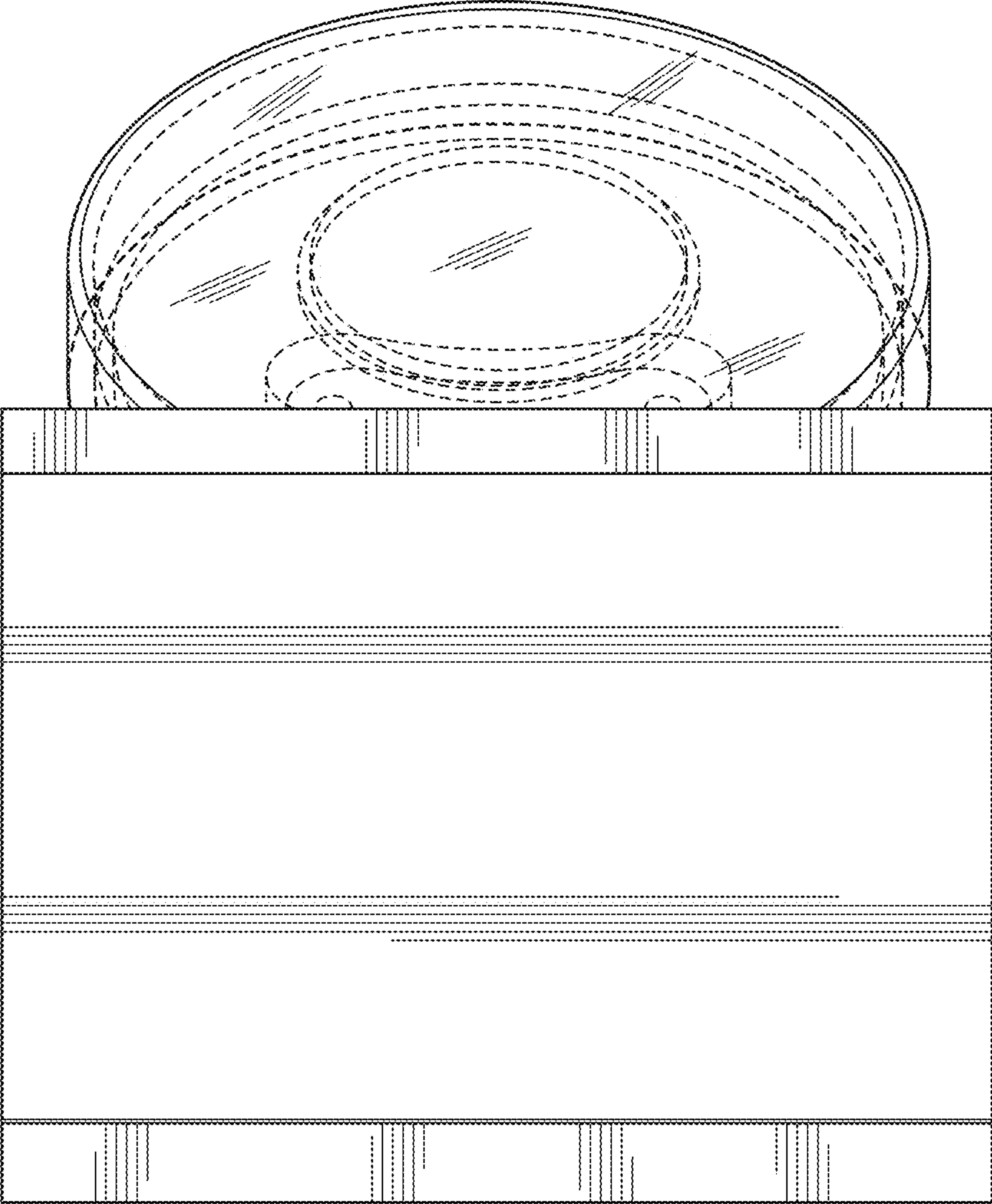


Fig. 8

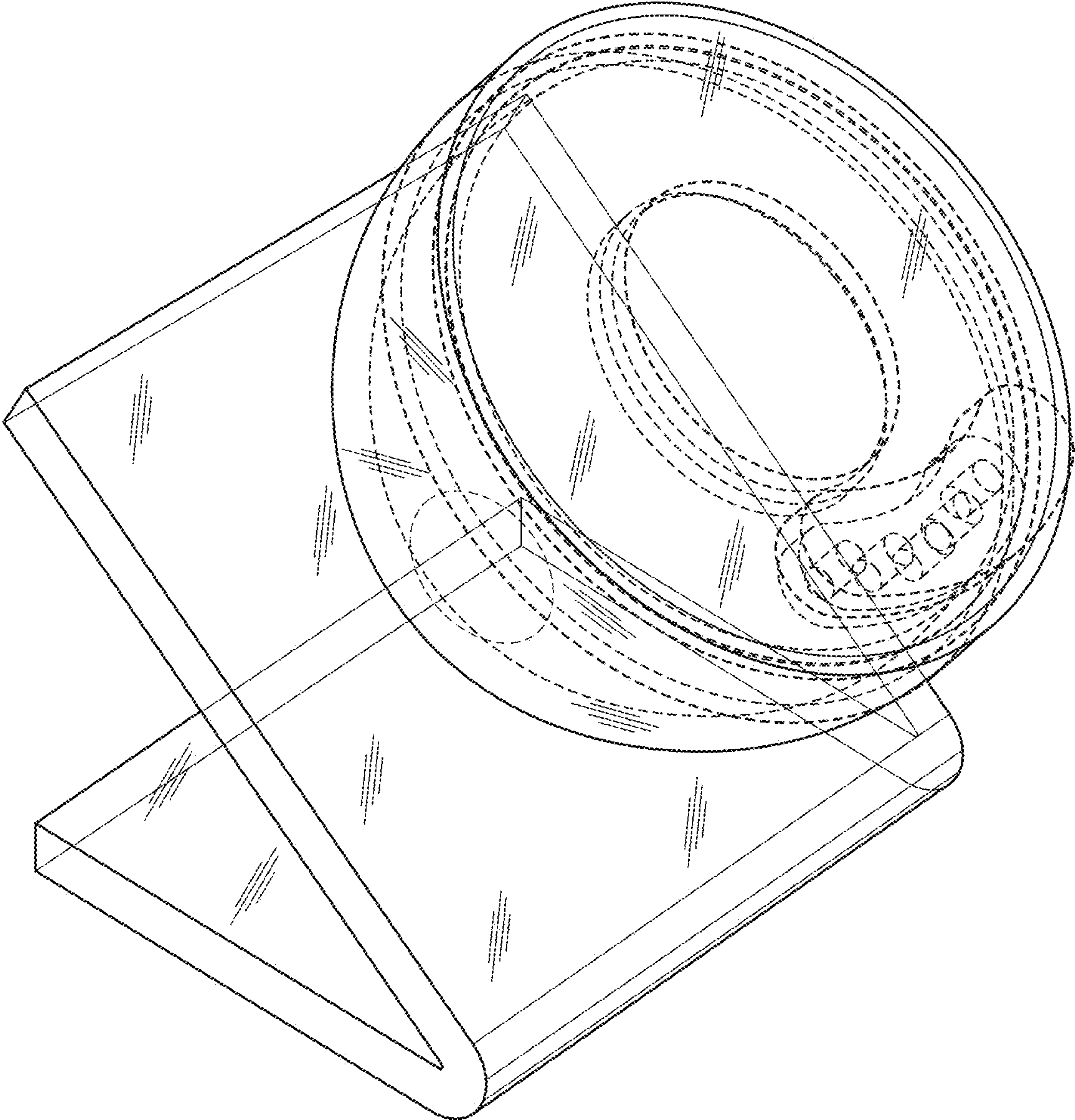


Fig. 9

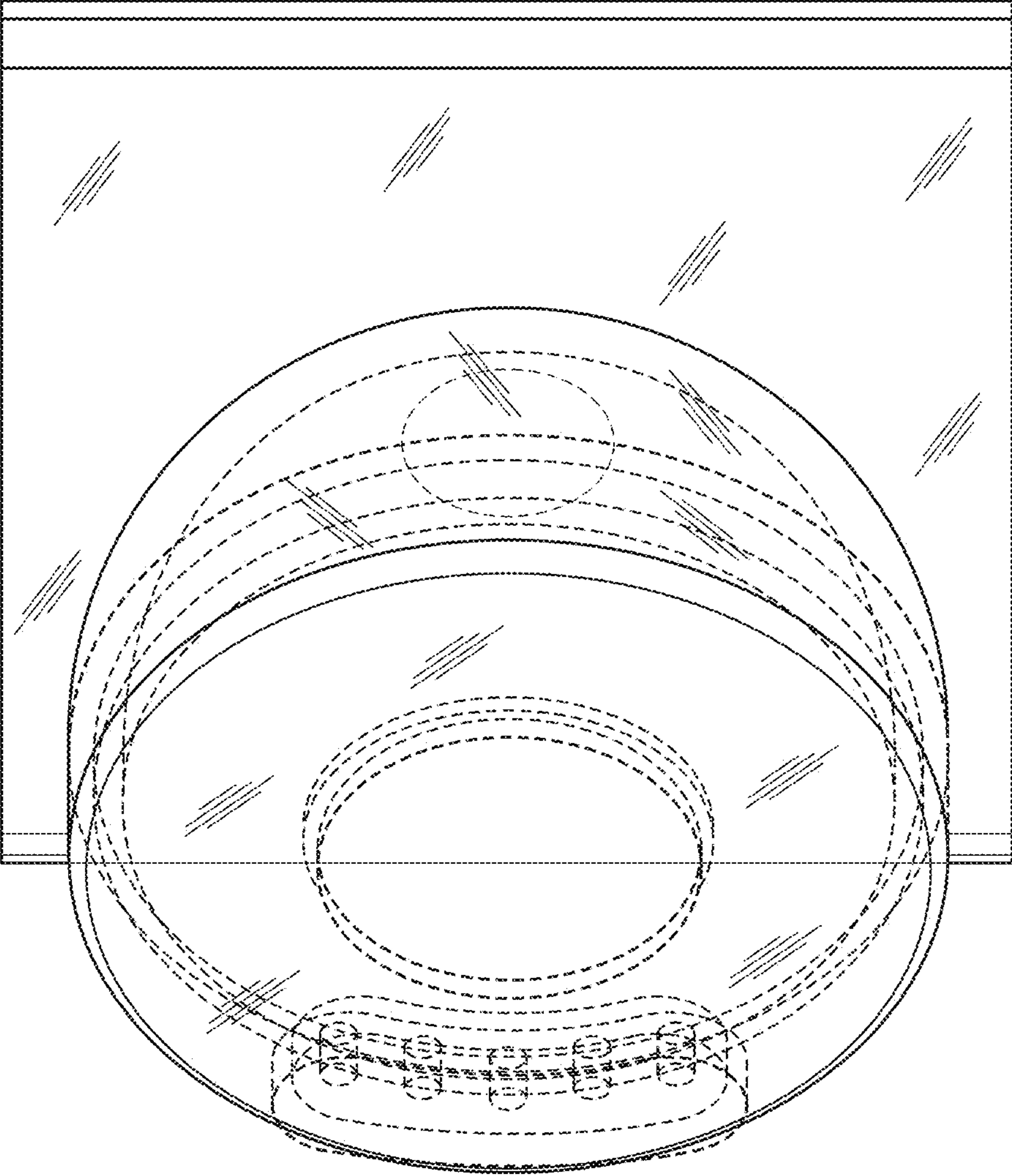


Fig. 10

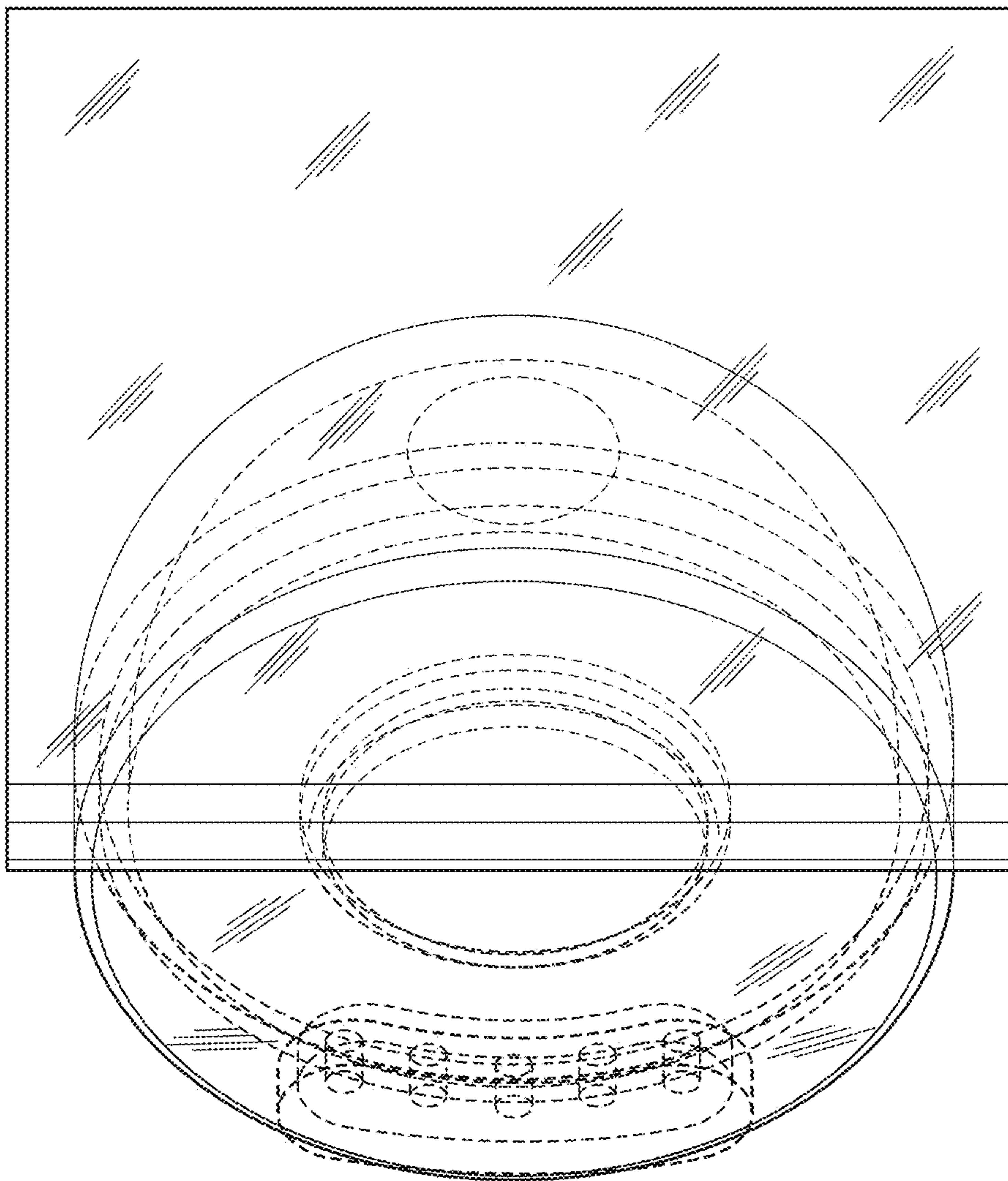


Fig. 11

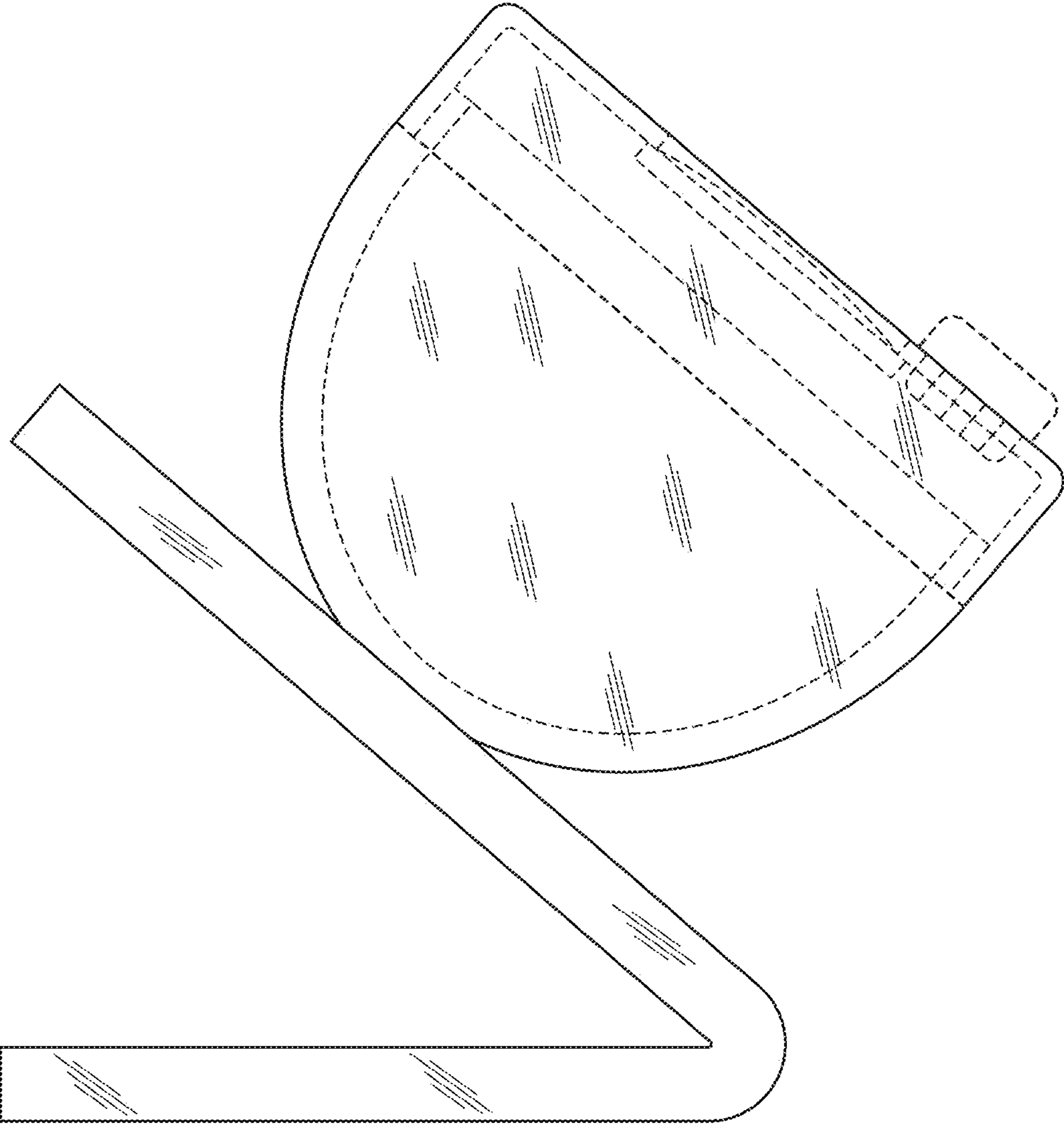


Fig. 12

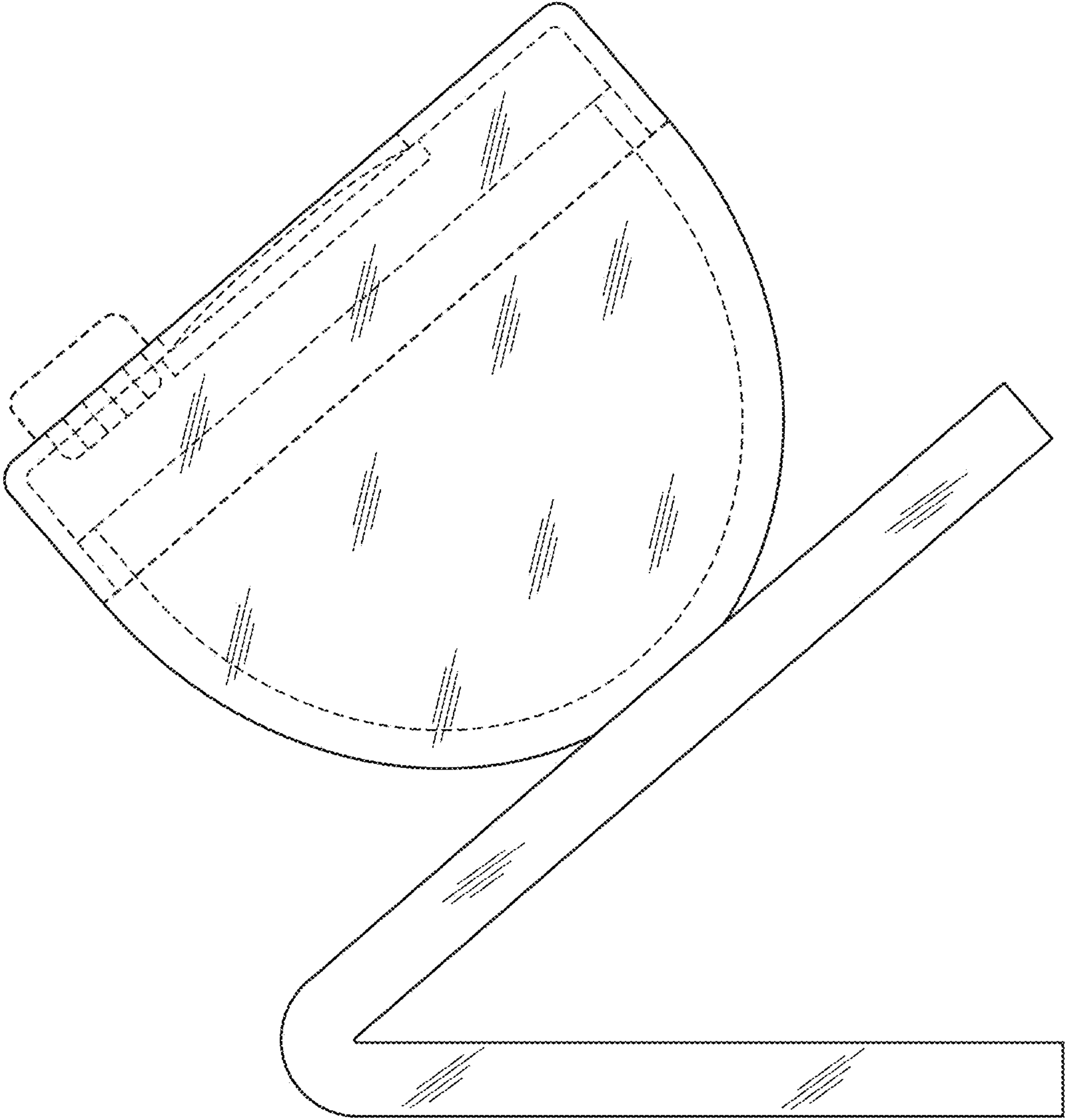


Fig. 13

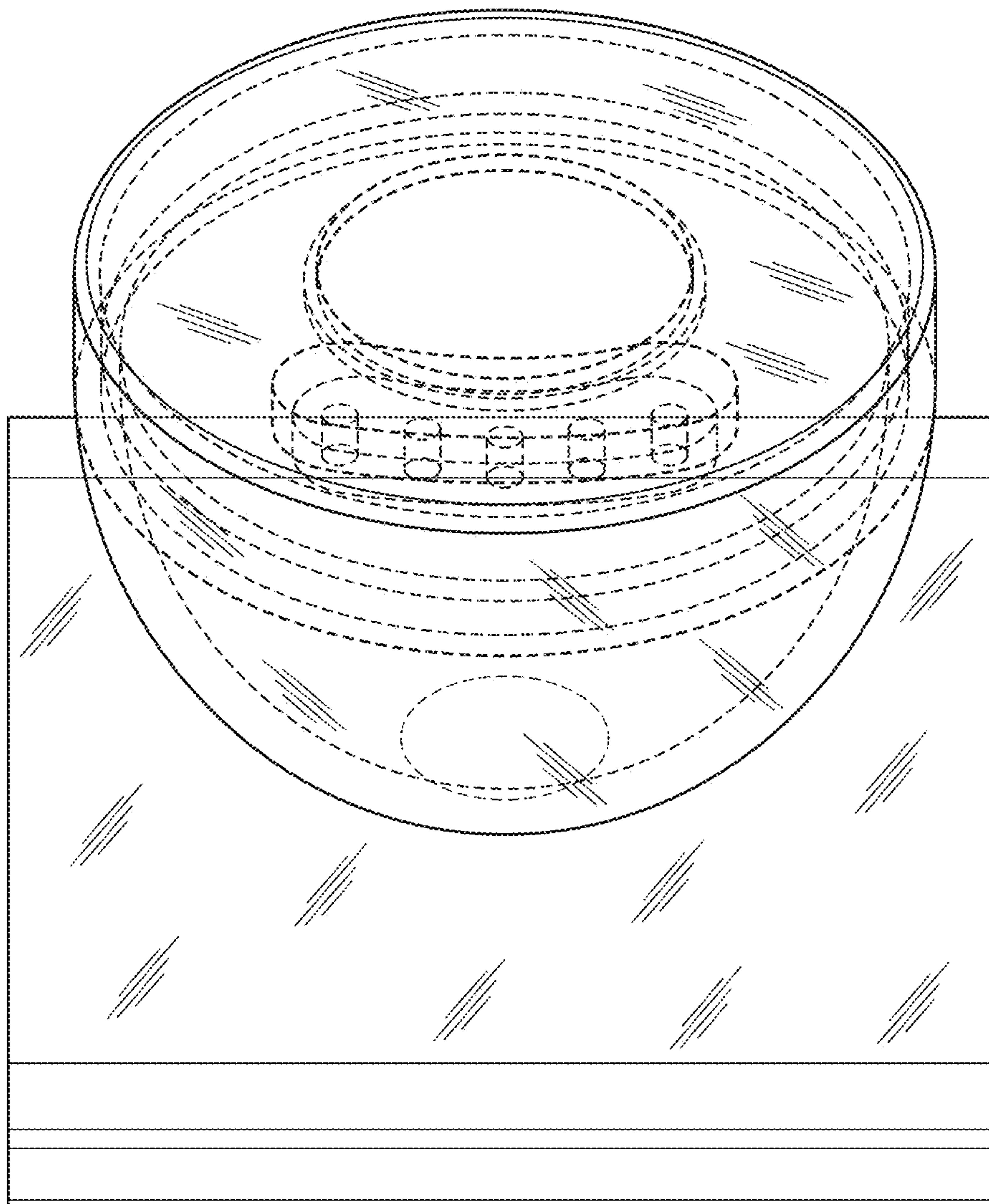


Fig. 14

