



US00D878825S

(12) **United States Design Patent**  
**Marconi**

(10) **Patent No.:** **US D878,825 S**

(45) **Date of Patent:** **\*\* Mar. 24, 2020**

- (54) **DISPLAY STAND**
- (71) Applicant: **Kendra Scott, LLC**, Austin, TX (US)
- (72) Inventor: **Gavin Marconi**, Austin, TX (US)
- (73) Assignee: **Kendra Scott, LLC**, Austin, TX (US)
- (\*\*) Term: **15 Years**
- (21) Appl. No.: **29/667,823**
- (22) Filed: **Oct. 25, 2018**
- (51) **LOC (12) Cl.** ..... **20-02**
- (52) **U.S. Cl.**  
USPC ..... **D6/672**
- (58) **Field of Classification Search**  
USPC ..... D6/316, 672, 673, 674, 675, 681, 682;  
D20/29, 31, 99  
CPC ..... A47F 7/00; A47F 7/02; A47F 5/04; A45C  
11/16  
See application file for complete search history.

D480,762 S *	10/2003	Dykstra	.....	D20/31
6,758,330 B1 *	7/2004	Chudada	.....	A47F 7/02 206/45.23
D509,856 S *	9/2005	Veitch	.....	D20/31
D536,179 S *	2/2007	Dikes	.....	D6/316
D603,907 S *	11/2009	Kawai	.....	D20/31
D643,072 S *	8/2011	Levine-Umans	.....	D20/99
D660,049 S *	5/2012	Tseng	.....	D6/672
8,186,546 B2 *	5/2012	Wang	.....	A47F 8/00 223/68
8,459,471 B2 *	6/2013	Mobley	.....	A47F 7/02 211/85.2
8,622,204 B2 *	1/2014	Tseng	.....	A47F 7/02 206/6.1
D756,672 S *	5/2016	Artuso	.....	D6/316
2013/0111951 A1 *	5/2013	Tseng	.....	A47F 7/02 63/1.11

\* cited by examiner

*Primary Examiner* — Steven J Czyz  
(74) *Attorney, Agent, or Firm* — Kelley Drye & Warren LLP

(57) **CLAIM**

The ornamental design for a display stand, as shown and described.

(56) **References Cited**

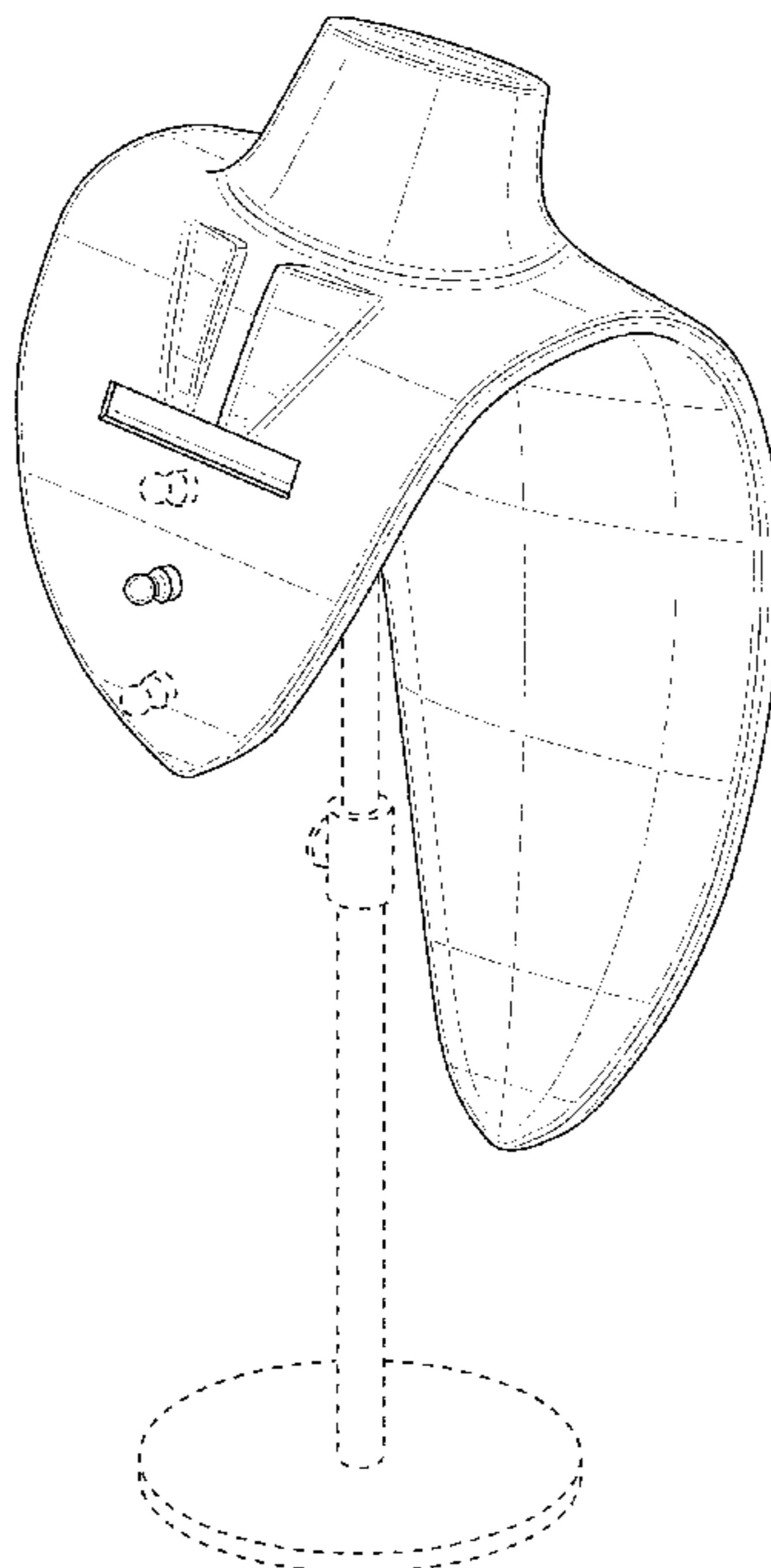
U.S. PATENT DOCUMENTS

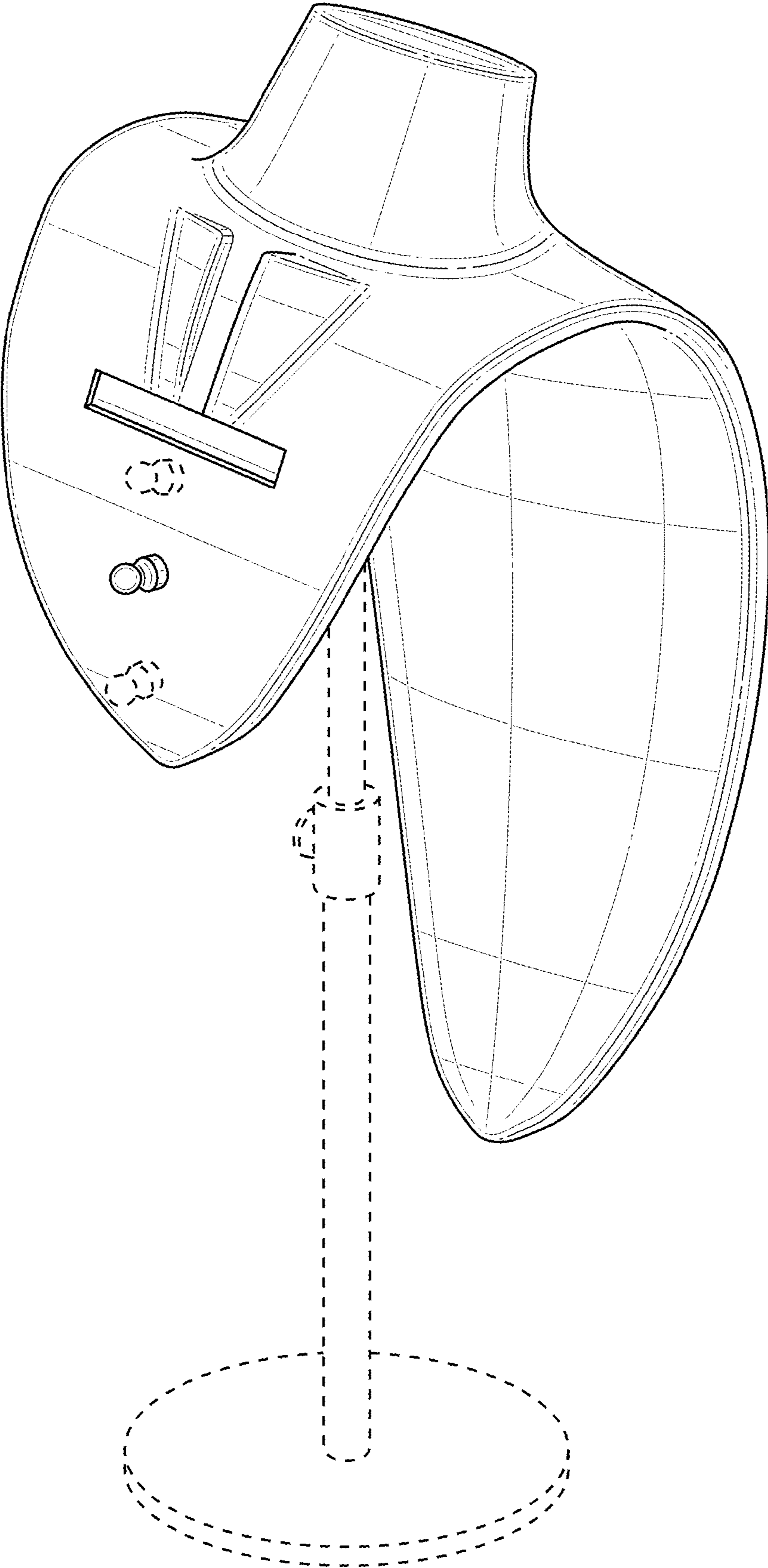
2,921,727 A *	1/1960	Lopez	.....	A41H 5/02 223/67
D239,089 S *	3/1976	Gindi et al.	.....	D6/316
D242,092 S *	11/1976	Levin et al.	.....	D20/31
D277,397 S *	1/1985	Arthur	.....	D20/31
D330,918 S *	11/1992	Tranquilli	.....	D20/31
6,089,424 A *	7/2000	Colquhoun	.....	A63H 3/52 223/120
D444,818 S *	7/2001	Fullalove	.....	D20/31
6,471,077 B1 *	10/2002	Johnson	.....	A47F 7/02 211/85.2
D467,619 S *	12/2002	Fullalove	.....	D20/31
D473,266 S *	4/2003	Seymour	.....	D20/31

**DESCRIPTION**

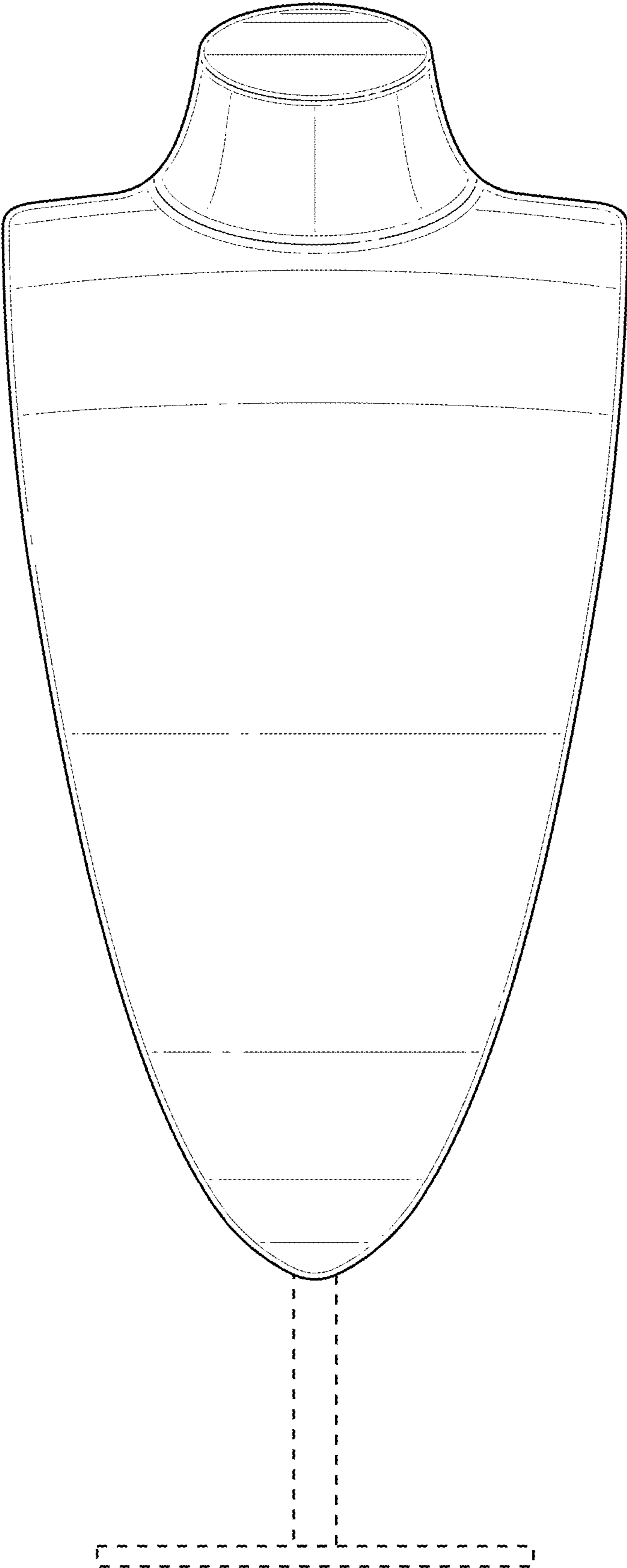
FIG. 1 is a rear perspective view of a display stand;  
FIG. 2 is a front elevational view thereof;  
FIG. 3 is a rear elevational view thereof;  
FIG. 4 is a left side elevational view thereof;  
FIG. 5 is a right side elevational view thereof;  
FIG. 6 is a top plan view thereof; and,  
FIG. 7 is a bottom plan view thereof.  
The broken depict portions of the article that form no part of the claimed design.

**1 Claim, 7 Drawing Sheets**

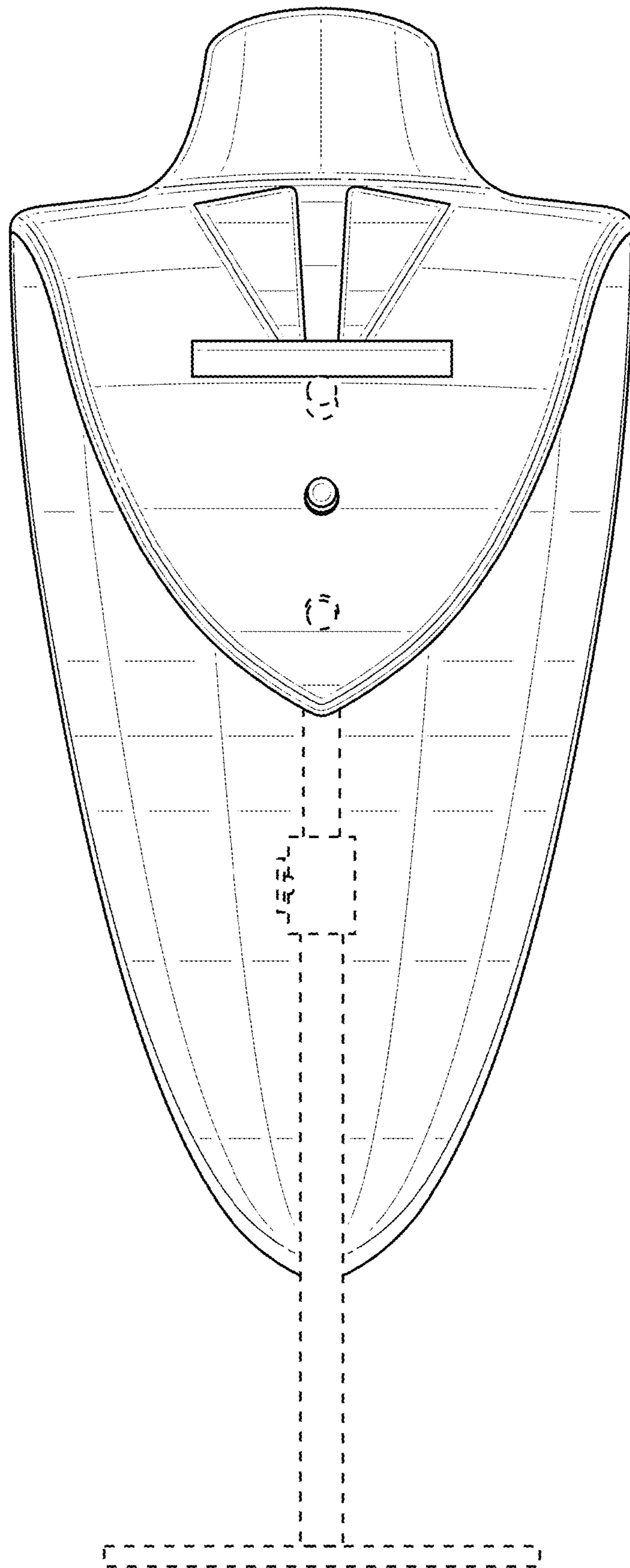




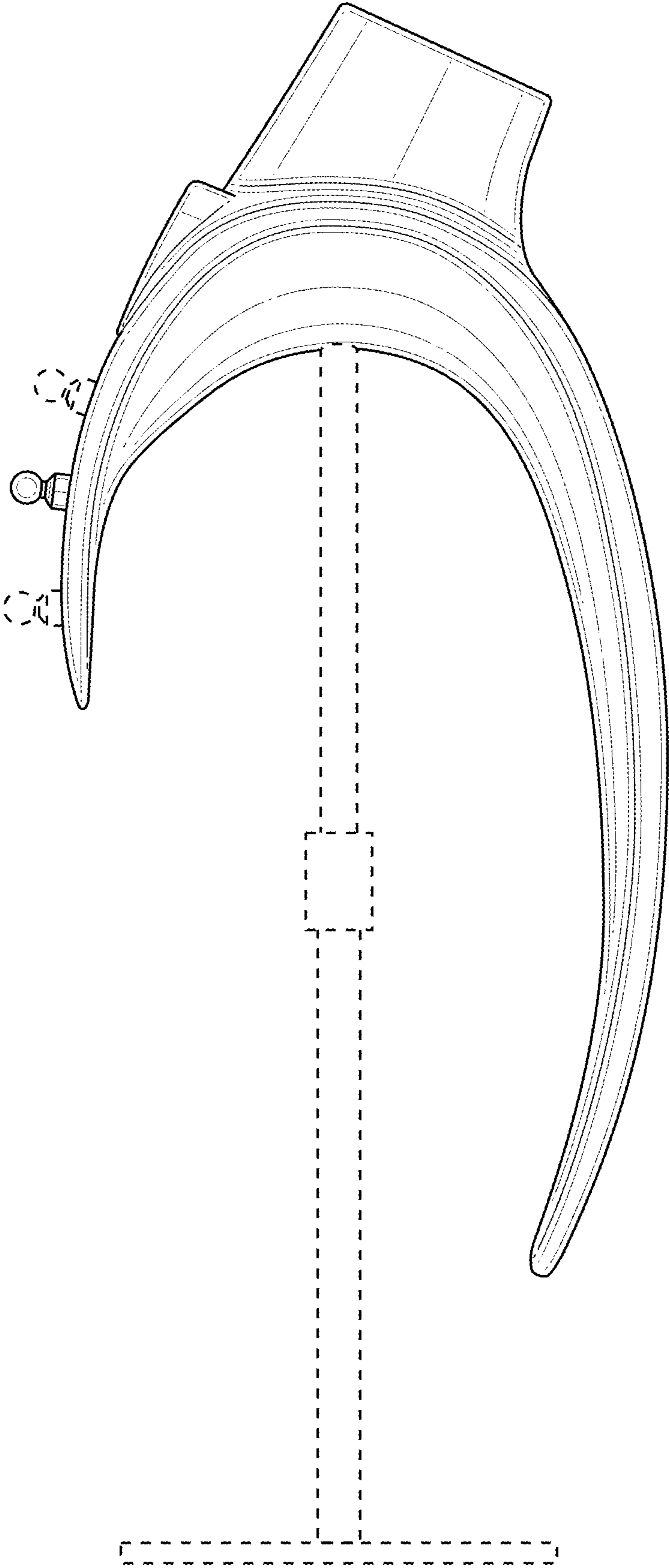
**FIG. 1**



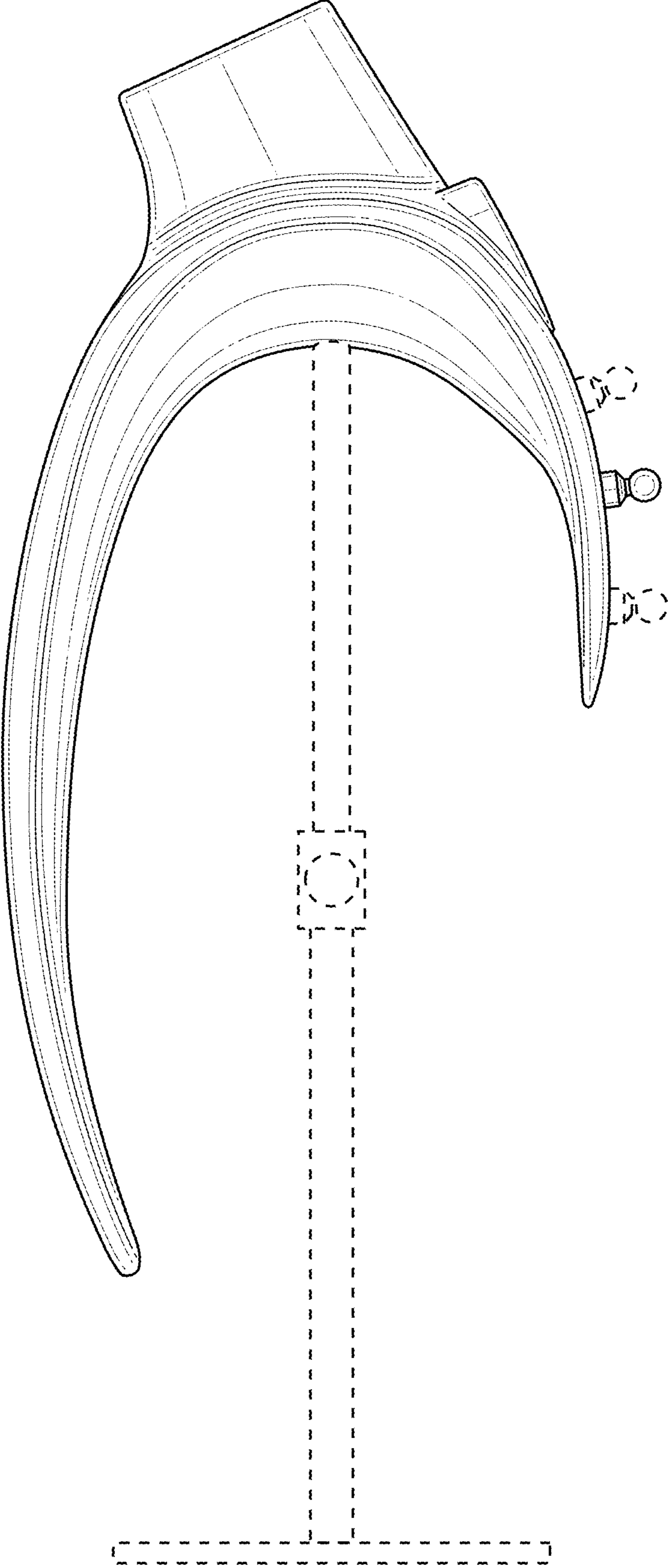
**FIG. 2**



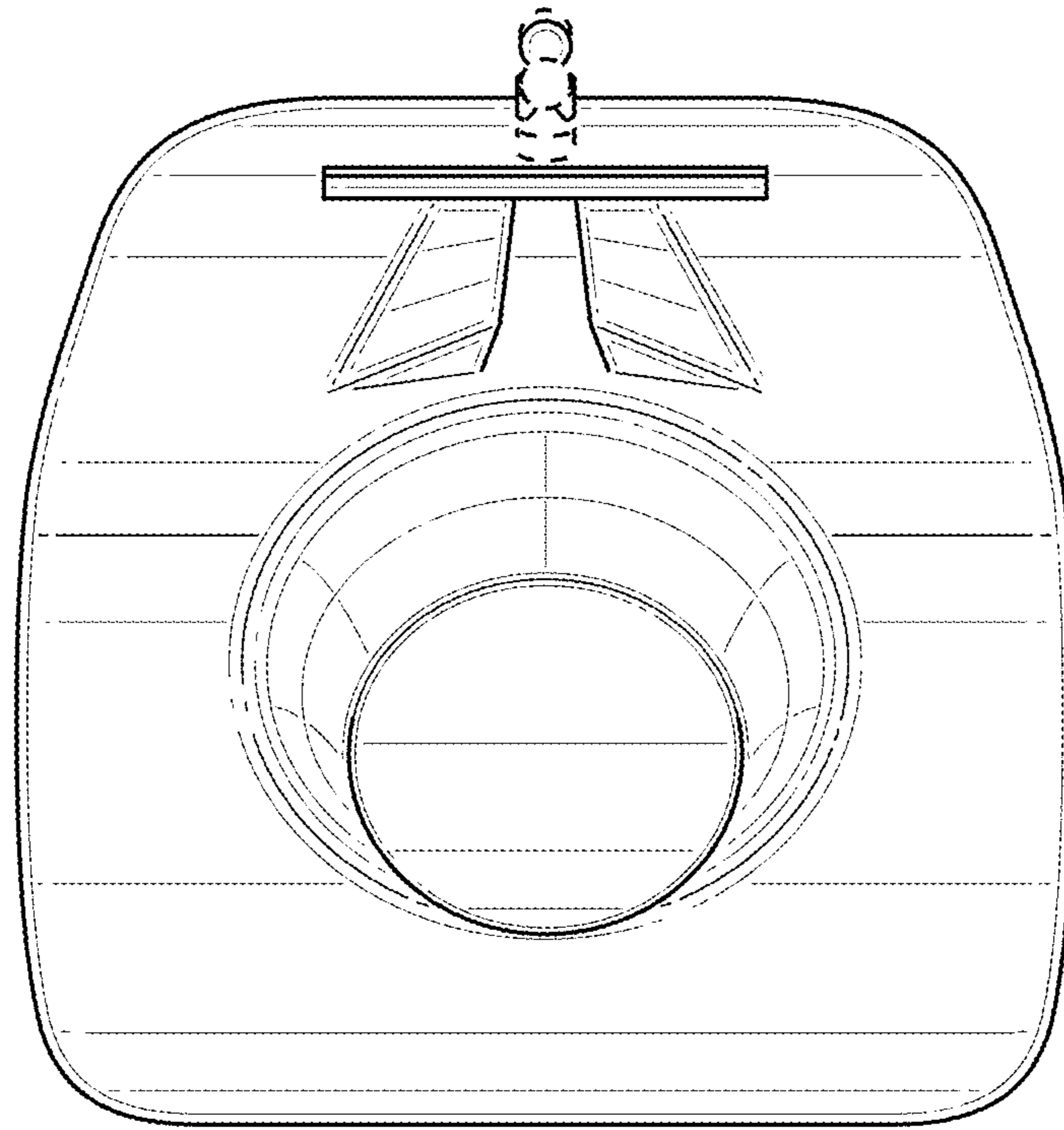
**FIG. 3**



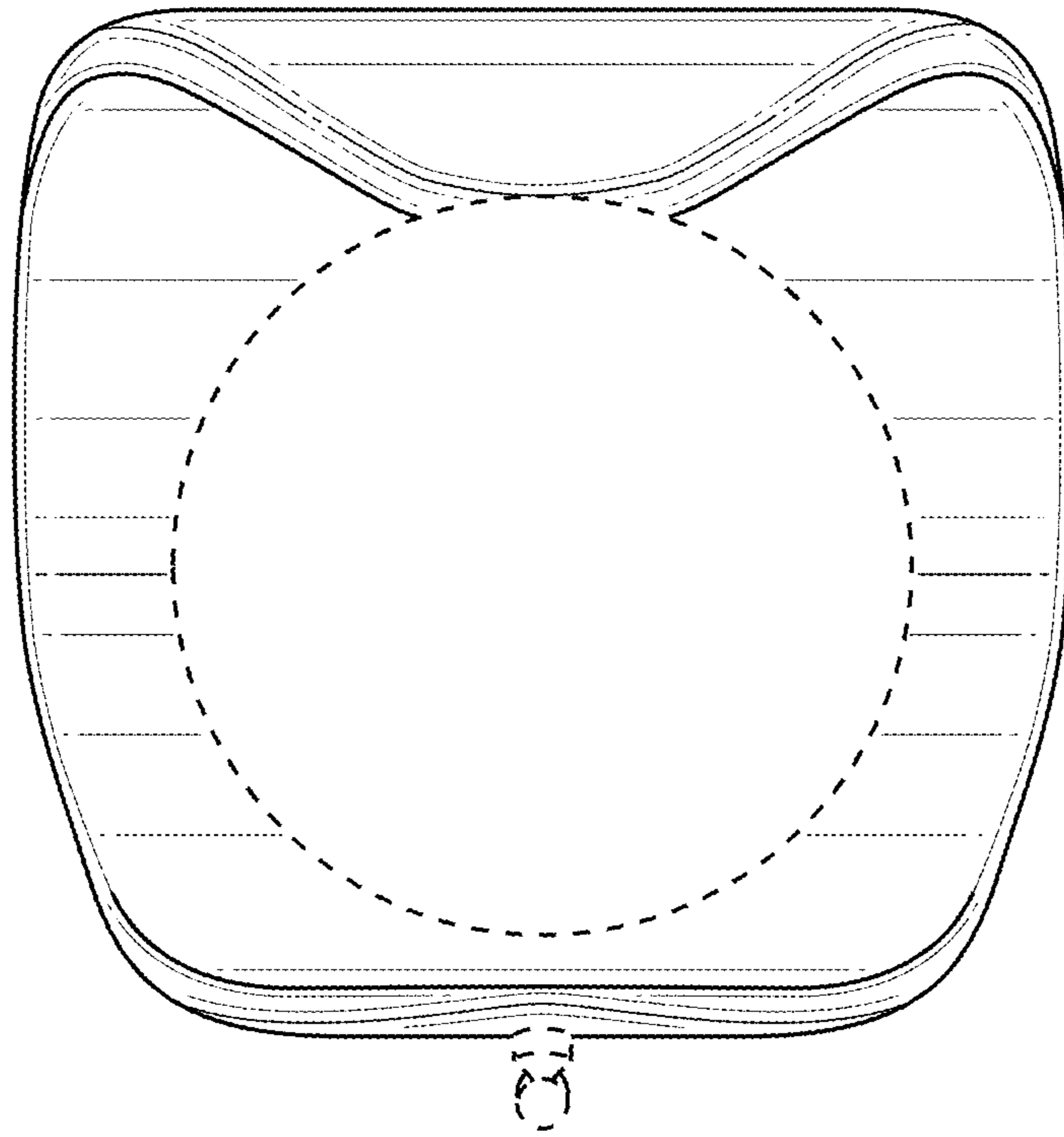
**FIG. 4**



**FIG. 5**



**FIG. 6**



**FIG. 7**