



US00D878824S

(12) **United States Design Patent**
Santicchi

(10) **Patent No.:** **US D878,824 S**

(45) **Date of Patent:** **** Mar. 24, 2020**

- (54) **CLOTHES RACK**
- (71) Applicant: **Immobiliare Metalprogetti SRL**,
Perugia (IT)
- (72) Inventor: **Augusto Santicchi**, San Sisto (IT)
- (73) Assignee: **Immobiliare Metalprogetti SRL**,
Perugia (IT)
- (**) Term: **15 Years**
- (21) Appl. No.: **29/662,377**
- (22) Filed: **Sep. 5, 2018**
- (30) **Foreign Application Priority Data**
Mar. 5, 2018 (EM) 4740124
- (51) **LOC (12) Cl.** **20-02**
- (52) **U.S. Cl.**
USPC **D6/672**
- (58) **Field of Classification Search**
USPC D6/315, 322, 672, 677, 677.3, 681,
D6/681.1, 681.2, 681.3, 682, 692, 692.3;
D32/10, 58
CPC A47F 5/00; A47F 5/006; A47F 5/0018;
A47F 5/0087; A47F 5/02; A47F 5/025;
A47F 7/24; A47G 25/06; A47G 25/0685
See application file for complete search history.

- 2,963,172 A * 12/1960 Lowell A47G 25/0664
108/29
- 3,252,581 A * 5/1966 Jenkins A47F 5/025
198/367
- 3,533,513 A * 10/1970 Berman A47F 5/14
211/175
- D225,283 S * 11/1972 Axelrod et al. D6/677
- D228,984 S * 11/1973 Miller et al. D6/675
- 4,082,046 A * 4/1978 Baglin A47F 5/04
108/101
- D298,591 S * 11/1988 Arner D6/315
- 4,974,734 A * 12/1990 Merl A47F 5/04
108/91
- D322,698 S 12/1991 Cassel
- 5,167,564 A * 12/1992 Lord A63H 3/52
211/123
- 5,305,890 A * 4/1994 Ishikawa A47F 7/24
211/122
- D350,446 S * 9/1994 Sauvage D6/692
- D352,177 S * 11/1994 Nadel D6/315
- D355,770 S * 2/1995 Taylor D6/315

(Continued)

Primary Examiner — Steven J Czyz

(74) *Attorney, Agent, or Firm* — Calderone Bullock LLC

(57) **CLAIM**

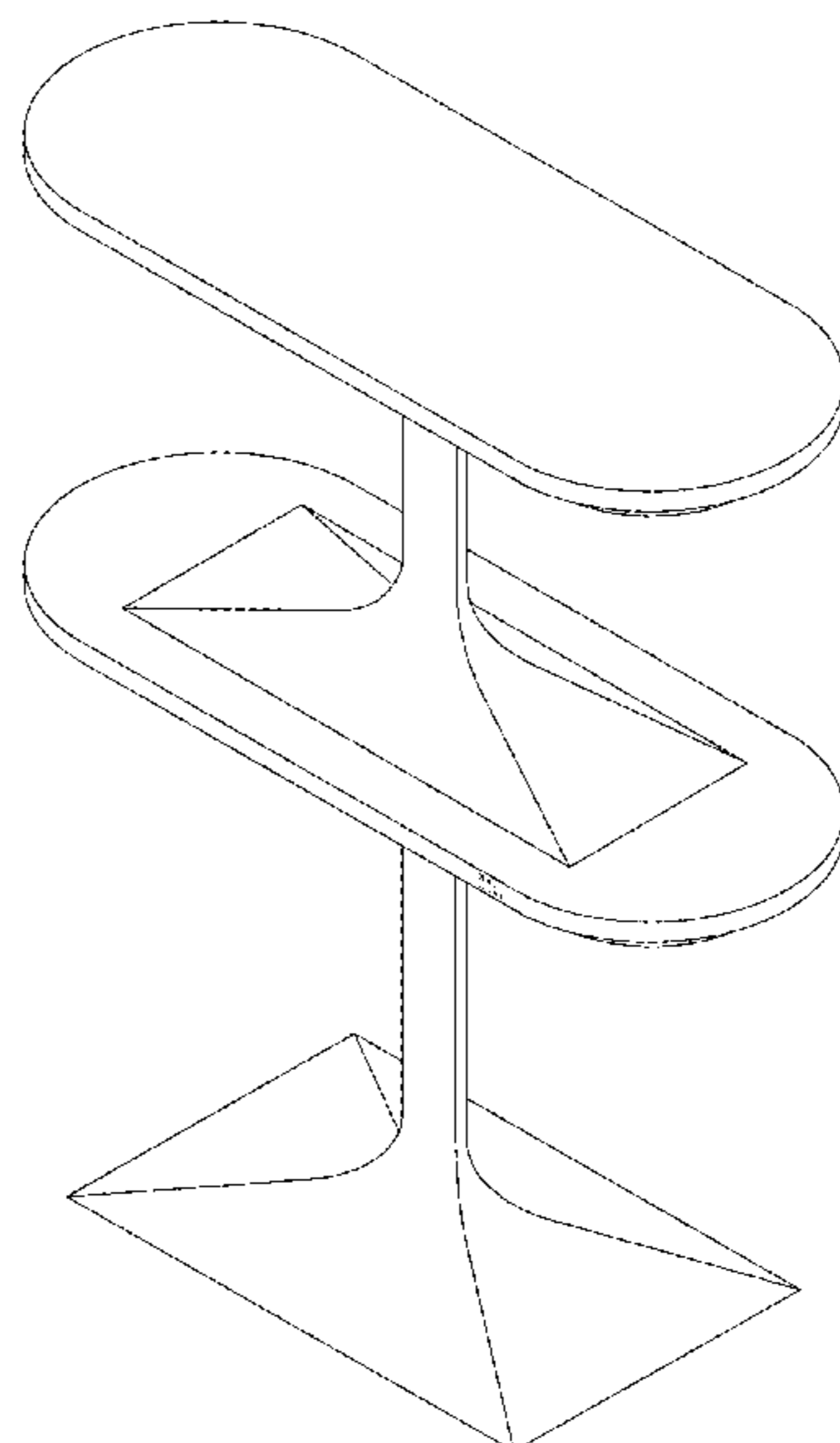
The ornamental design for a clothes rack, as shown and described.

DESCRIPTION

FIG. 1 is a perspective view of a clothes rack;
FIG. 2 is a second perspective view of the clothes rack of FIG. 1;
FIG. 3 is a front view of the clothes rack of FIG. 1;
FIG. 4 is a lateral view of the clothes rack of FIG. 1; and,
FIG. 5 is a second lateral view of the clothes rack of FIG. 1.
The broken lines depict environment or portions of the article that form no part of the claimed design.

1 Claim, 5 Drawing Sheets

- (56) **References Cited**
U.S. PATENT DOCUMENTS
856,595 A * 6/1907 Lowe et al. A47B 37/00
108/28
2,084,854 A 6/1937 McCarthy
2,202,427 A * 5/1940 Polen A47B 61/02
211/4
2,275,749 A * 3/1942 Fisher A47F 7/12
131/240.1
2,624,469 A 1/1953 Adamson



(56)

References Cited

U.S. PATENT DOCUMENTS

D362,345 S * 9/1995 Arner D6/315
 5,474,187 A * 12/1995 Taylor A47G 25/74
 198/678.1
 D411,372 S * 6/1999 Woodring D6/315
 D422,795 S * 4/2000 Hollinger D6/315
 D427,802 S 7/2000 Adler
 6,131,745 A * 10/2000 Baker, Jr. A47F 7/022
 211/128.1
 6,488,160 B2 * 12/2002 Wang A47F 7/19
 211/195
 D479,778 S 9/2003 Haney
 D482,909 S * 12/2003 Neggers D6/692.3
 D536,901 S 2/2007 Resterhouse
 D543,732 S * 6/2007 Alter Molina D6/692.3
 D546,013 S * 7/2007 Pong D32/58
 D561,497 S * 2/2008 Alter Molina D6/692.3
 D578,806 S * 10/2008 Lievore D6/692.3
 D664,792 S * 8/2012 Gustafson D6/692.3
 8,424,466 B2 * 4/2013 Botkin A47B 57/545
 108/108
 D711,153 S * 8/2014 Bonham D6/322
 D735,501 S * 8/2015 Ocegueda D6/677
 9,290,326 B2 * 3/2016 Santicchi B65G 17/20
 D756,136 S * 5/2016 Santicchi D6/322
 D788,505 S 6/2017 Wu
 D828,060 S 9/2018 Dillon
 D833,785 S 11/2018 Baylar
 D839,033 S 1/2019 Woods
 D839,646 S 2/2019 Rockwell et al.
 D844,710 S 4/2019 Hohman
 2015/0096869 A1 * 4/2015 Santicchi B65G 17/20
 198/685
 2019/0099014 A1 * 4/2019 Santicchi A47F 5/025

* cited by examiner

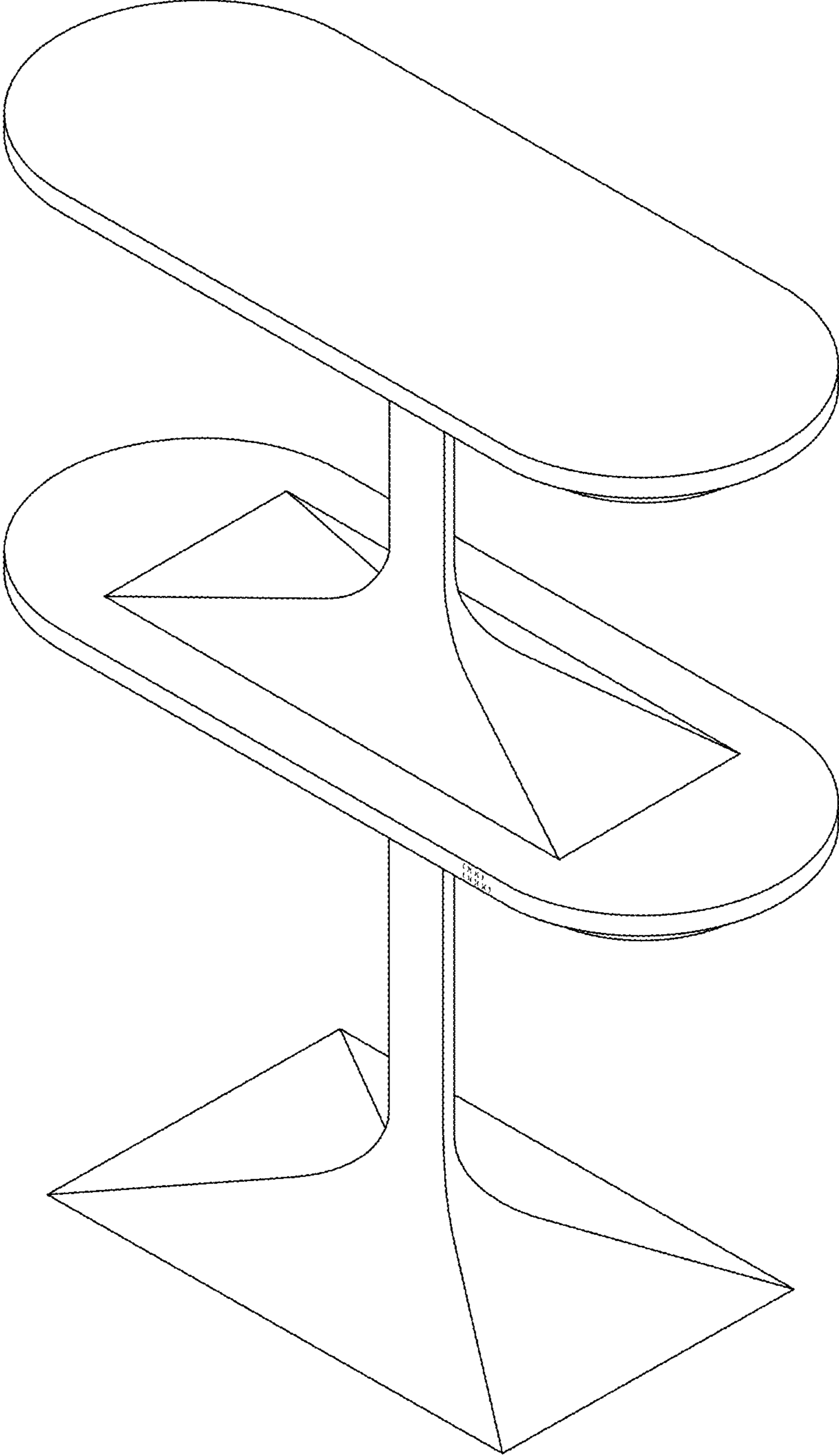


FIG. 1

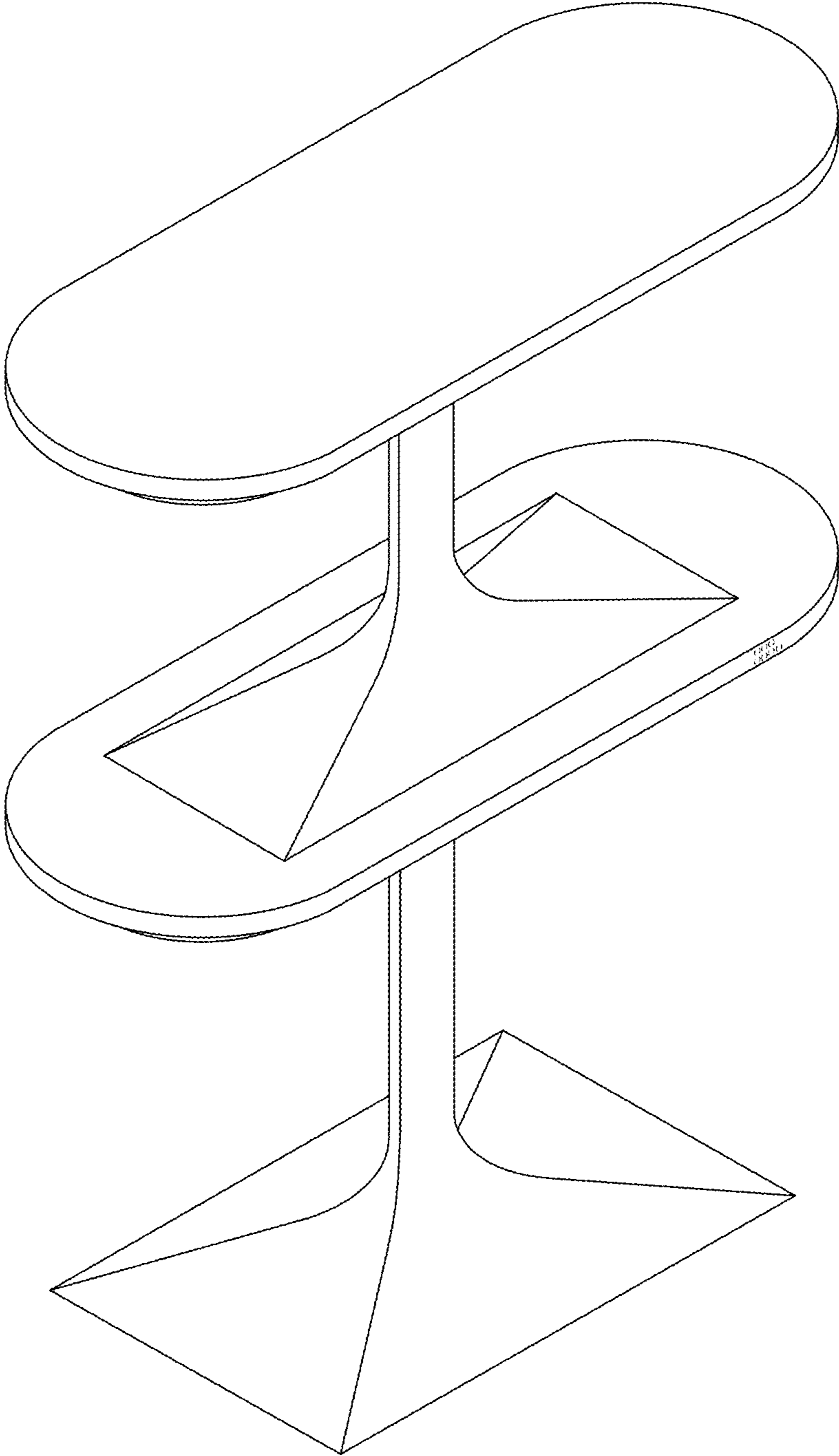


FIG. 2

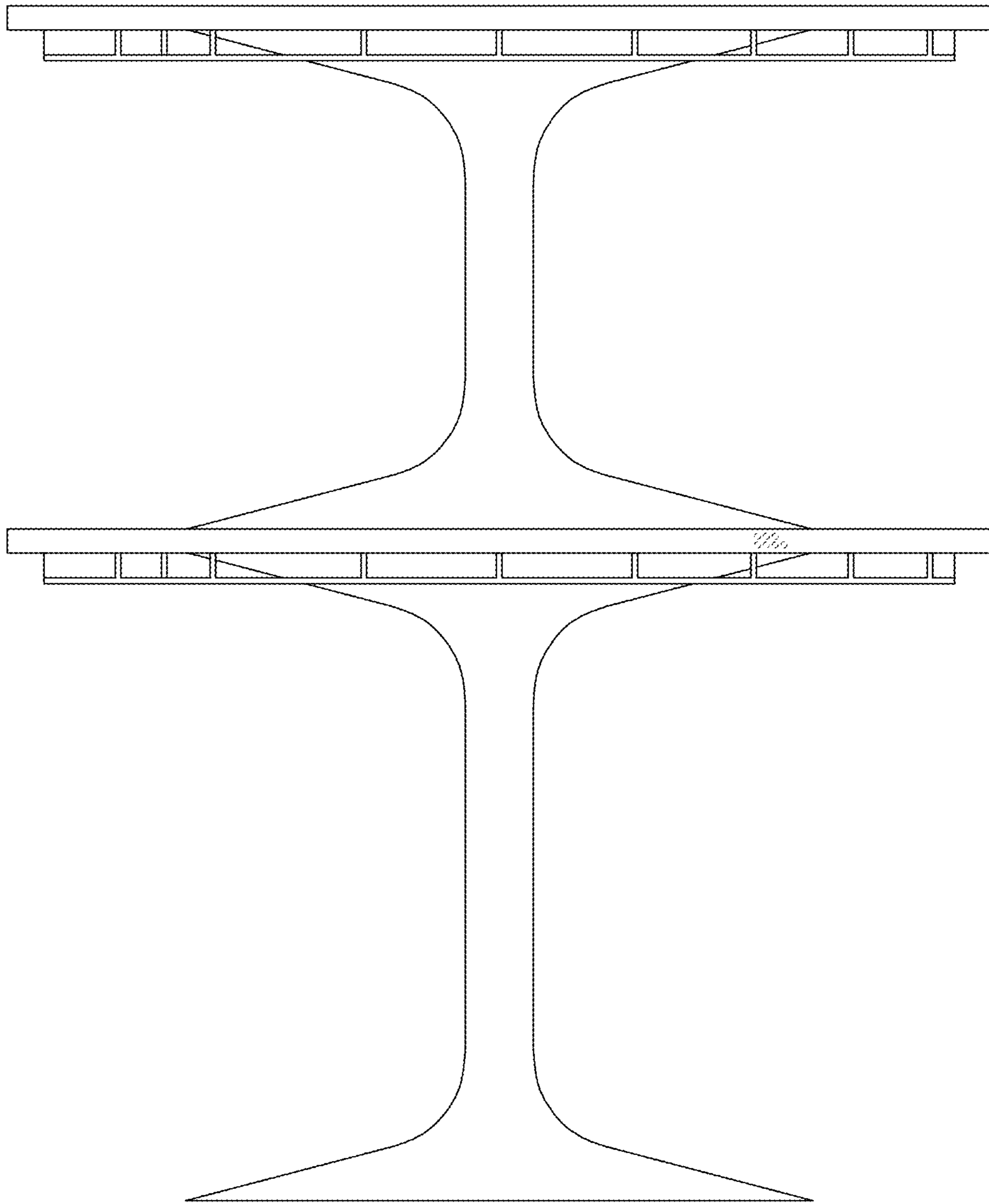


FIG. 3

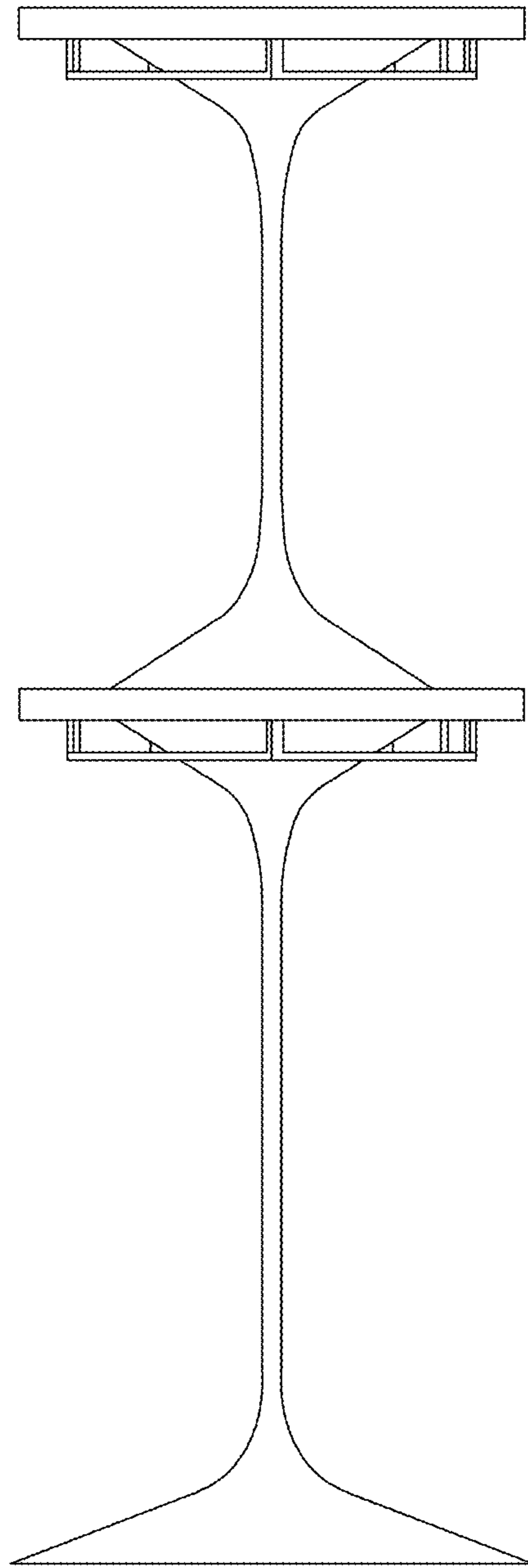


FIG. 4

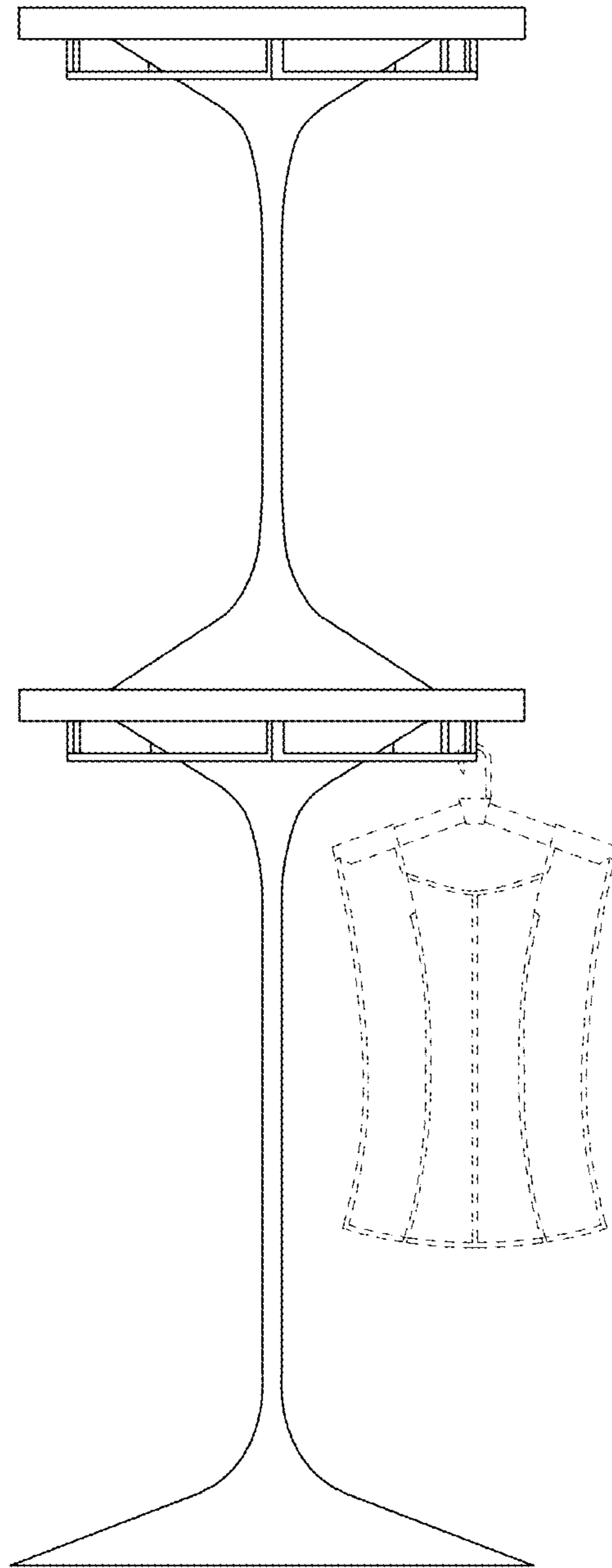


FIG. 5