



US00D878823S

(12) **United States Design Patent** (10) **Patent No.:** **US D878,823 S**
Davis et al. (45) **Date of Patent:** **** Mar. 24, 2020**

(54) **CONSOLE**
(71) Applicant: **WALKER EDISON FURNITURE COMPANY LLC**, Salt Lake City, UT (US)
(72) Inventors: **Matthew Davis**, Murray, UT (US); **Brad Bonham**, Draper, UT (US); **Richard Packer**, Kaysville, UT (US)
(73) Assignee: **WALKER EDISON FURNITURE COMPANY LLC**, Salt Lake City, UT (US)

(**) Term: **15 Years**

(21) Appl. No.: **29/656,485**
(22) Filed: **Jul. 12, 2018**
(51) **LOC (12) Cl.** **06-04**
(52) **U.S. Cl.**
USPC **D6/669**
(58) **Field of Classification Search**
USPC D6/512, 553, 559, 657, 659, 660, 661, D6/662, 663, 667, 669, 671, 671.1, 672, D6/673, 675, 682, 682.3, 683.1, 694
CPC A47B 46/00; A47B 47/00; A47B 47/02; A47B 47/021; A47B 47/022; A47B 47/04; A47B 55/00; A47B 67/00; A47B 67/02; A47B 67/04; A47B 83/04; A47B 7/00; A47B 81/00; A47B 81/007; A47B 81/02; A47F 3/00; A47F 3/005
See application file for complete search history.

(56) **References Cited**
U.S. PATENT DOCUMENTS

245,925 A	8/1881	Kinsley
309,799 A	12/1884	Poulsen
D47,600 S	7/1915	Koch
D61,344 S	8/1922	Mayer
1,475,088 A	11/1923	Specht et al.

D64,390 S	4/1924	Arons
D64,922 S	6/1924	Naill
D66,028 S	11/1924	Lyons et al.
D66,889 S	3/1925	Schleicher
D68,065 S	8/1925	Schleicher
D78,127 S	3/1929	Schleicher
D103,250 S	2/1937	Parrish
2,207,307 A	7/1940	Teller
D166,077 S	3/1952	Haas

(Continued)

FOREIGN PATENT DOCUMENTS

CA	164489	4/2016
CA	165553	7/2016

(Continued)

OTHER PUBLICATIONS

U.S. Appl. No. 29/611,962, filed Jul. 27, 2017, Davis.
(Continued)

Primary Examiner — R. Johnson
(74) *Attorney, Agent, or Firm* — Workman Nydegger

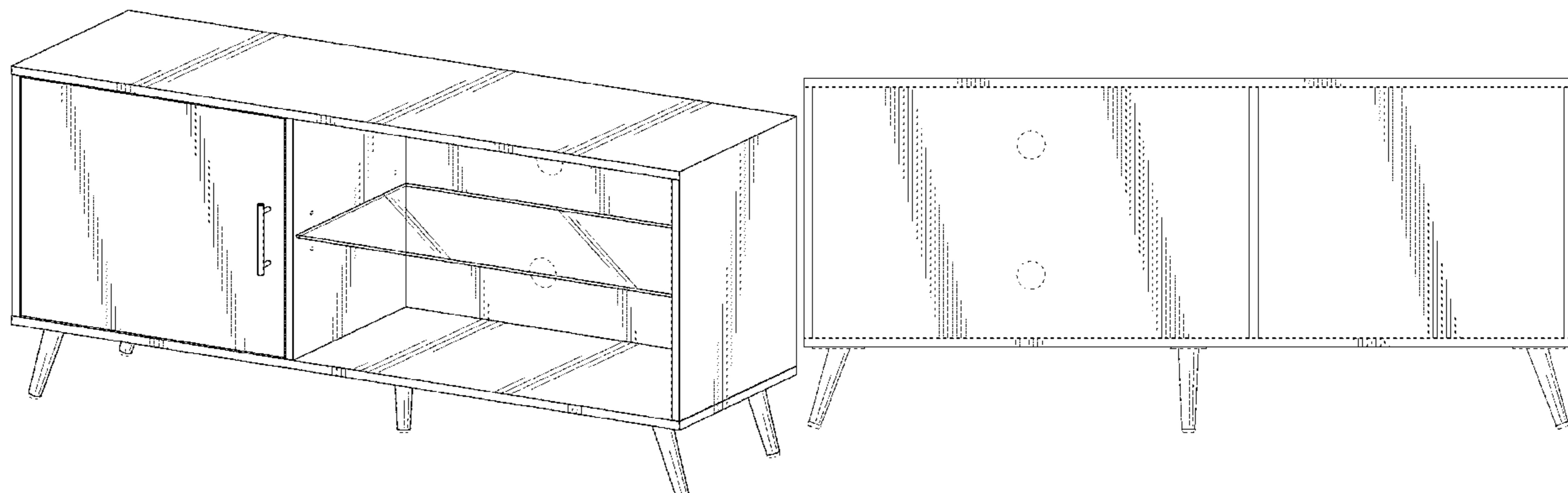
(57) **CLAIM**

The ornamental design for a console, as shown and described.

DESCRIPTION

FIG. 1 is a front perspective view of a console showing the new design;
FIG. 2 is a front elevation view thereof;
FIG. 3 is a back elevation view thereof;
FIG. 4 is a top plan view thereof;
FIG. 5 is a bottom plan view thereof;
FIG. 6 is a right elevation view thereof; and,
FIG. 7 is a left elevation view thereof.
The broken lines in the drawings are for the purpose of illustrating portions of the article that form no part of the claimed design.

1 Claim, 4 Drawing Sheets



(56)

References Cited

U.S. PATENT DOCUMENTS

2,696,419 A *	12/1954	Wallance	A47B 67/00 312/265.3	D423,810 S	5/2000	Dorst	
D175,869 S	10/1955	Trout		D425,330 S	5/2000	O'Hare	
2,743,720 A	5/1956	Lewis		6,074,029 A	6/2000	Snoke	
D182,836 S	5/1958	Lubberts		D428,609 S	7/2000	Williams	
2,850,346 A *	9/1958	Holderle	A47F 3/005 312/140.4	D430,431 S	9/2000	Walter	
D186,115 S	9/1959	Church		D448,203 S	9/2001	Jeup	
2,918,176 A	12/1959	Bell		D452,624 S	1/2002	de Blois	
D188,196 S	6/1960	Lubberts		D454,264 S	3/2002	Patik	
D188,197 S	6/1960	Swarts		D455,916 S	4/2002	Fluhrer	
3,039,621 A	6/1962	Pilcher		6,393,207 B1	5/2002	Martin	
D193,516 S *	9/1962	Deaton	D6/657	D466,333 S	12/2002	Hwang	
D196,451 S	10/1963	McMullen		6,515,262 B1	2/2003	Li	
3,217,671 A	11/1965	Walsh		D477,160 S	7/2003	Grosfillex	
3,272,582 A	9/1966	MacK		D478,432 S	8/2003	Juneau	
3,354,878 A	11/1967	Balls		D479,925 S	9/2003	Hsieh	
3,589,746 A	6/1971	Inglis		D485,709 S	1/2004	de Blois	
RE27,186 E	10/1971	Ferdinand		D492,989 S	7/2004	Beck	
RE27,200 E	10/1971	Ferdinand et al.		D495,898 S	9/2004	Walker	
3,762,789 A	10/1973	Robertson		6,789,859 B1 *	9/2004	Ho	A47B 47/02 312/257.1
3,766,863 A	10/1973	Swick		D499,274 S	12/2004	Juneau	
D233,294 S	10/1974	Goulder		D499,281 S	12/2004	Yamaguchi	
D236,676 S	9/1975	Urti		D499,583 S	12/2004	Anderson	
D238,277 S	12/1975	Parker		D503,570 S	4/2005	Anderson	
D239,352 S	3/1976	Petrick		D507,428 S *	7/2005	Weatherly	D6/662.1
D244,112 S	4/1977	Friedman		D510,211 S	10/2005	Welborn, Jr.	
D248,429 S	9/1978	Robinson		D519,203 S	4/2006	Haas	
D249,429 S	9/1978	Robinson		D522,771 S	6/2006	Berry	
D249,860 S	10/1978	Ungaro		D528,327 S	9/2006	O'Reilly	
4,182,244 A	1/1980	Hutchins		D534,379 S	1/2007	Juneau	
D262,847 S	2/1982	Keller		D534,998 S	1/2007	Charnick	
D269,754 S	7/1983	Kates		D536,770 S	2/2007	Mayer	
D270,858 S	10/1983	McInnes		D538,406 S	3/2007	Mayer	
D281,901 S	12/1985	Demrick		D539,057 S	3/2007	Senda	
D283,343 S	4/1986	Haythornthwaite		D543,057 S	5/2007	Grady	
D303,596 S	9/1989	Goetz		D543,728 S	6/2007	Becker	
D304,982 S	12/1989	Bush		D548,488 S	8/2007	Weatherly	
D305,930 S	2/1990	MacAleese		D548,490 S	8/2007	Becker	
D306,106 S	2/1990	Bush		D549,991 S	9/2007	Stravitz	
D319,230 S	8/1991	Sugiyama		D554,393 S	11/2007	Yalif	
5,036,778 A	8/1991	Briosi		D555,397 S	11/2007	Yalif	
D319,743 S	9/1991	Grey		D559,583 S	1/2008	Zambelli	
D327,735 S	7/1992	Smith		D559,584 S	1/2008	Zambelli	
D328,341 S	7/1992	Chiu		D559,585 S	1/2008	Lara	
D329,693 S	9/1992	Mills		D560,077 S	1/2008	Zambelli	
D336,184 S	6/1993	Borgen		D560,396 S	1/2008	Weatherly	
D347,754 S	6/1994	Mehlin		D560,930 S	2/2008	Woodward	
D348,576 S	7/1994	Narramore		D561,317 S	2/2008	Ou	
D348,726 S	7/1994	Wilson		D562,597 S	2/2008	Weatherly	
D353,960 S	1/1995	Barfield		D564,789 S	3/2008	deCarolis	
5,409,122 A	4/1995	Lazarus		D567,346 S	4/2008	Lin	
5,452,812 A	9/1995	Niequist		D587,483 S	3/2009	Zambelli	
D363,176 S	10/1995	Berry		D587,484 S	3/2009	Domack	
D363,841 S	11/1995	Nourse		D587,497 S	3/2009	Zambelli	
D364,055 S	11/1995	Pakla		D588,831 S	3/2009	Mohundro	
D364,064 S *	11/1995	Lorenz	D6/559	D589,280 S	3/2009	Zambelli	
5,463,966 A	11/1995	Nilsson		D591,533 S	5/2009	Karsson	
D365,472 S	12/1995	Rehnberg		D592,432 S	5/2009	Sexton	
D366,110 S	1/1996	Darr		7,530,538 B2	5/2009	Whalen	
D367,383 S	2/1996	Hatrack-Smith		D593,776 S	6/2009	Sexton	
D373,693 S	9/1996	Elhage		D594,248 S	6/2009	Zambelli	
5,628,256 A	5/1997	Lazarus		D604,546 S	11/2009	Alman	
D385,431 S	10/1997	Lee		D605,874 S	12/2009	Zambelli	
D389,343 S	1/1998	Van Der Merwe		D611,727 S	3/2010	Vail	
D390,936 S	2/1998	French		D614,888 S	5/2010	Sexton	
5,752,500 A	5/1998	Jamieson		D618,015 S	6/2010	Sexton	
5,782,231 A	7/1998	Wade		D618,016 S	6/2010	Metcalf	
5,833,084 A	11/1998	Chang		D620,278 S	7/2010	Zambelli	
D403,529 S	1/1999	De Blaay		D620,283 S	7/2010	Calco	
D404,937 S	2/1999	Tarlow		D622,834 S	8/2010	Jiang	
D407,577 S	4/1999	Dorst		D623,442 S	9/2010	Zambelli	
D408,174 S	4/1999	Aspenwall		D623,876 S	9/2010	Zambelli	
5,995,081 A	11/1999	Kato		D623,877 S	9/2010	Zambelli	
D420,114 S	2/2000	Johnson		D625,123 S	9/2010	Zambelli	
				D630,453 S	1/2011	Rafieha	
				D632,902 S	2/2011	Rafieha	
				D638,922 S	5/2011	Zhou	
				7,934,494 B1	5/2011	Schneider	
				D640,072 S	6/2011	Sexton	

(56)

References Cited

U.S. PATENT DOCUMENTS

D641,861 S 7/2011 Okamoto
 D644,853 S 9/2011 Becker
 D653,051 S 1/2012 Lin
 D653,739 S 2/2012 Gibbs
 D654,289 S 2/2012 Zambelli
 D654,995 S 2/2012 Asofsky
 D654,996 S 2/2012 Asofsky
 D655,946 S 3/2012 Sexton
 D658,750 S 5/2012 Nemes
 D663,137 S 7/2012 Andersen
 D663,138 S 7/2012 Anderson
 D665,987 S 8/2012 Martin
 D666,281 S 8/2012 Nemes
 D667,654 S 9/2012 Lenney
 D668,475 S 10/2012 Zambelli
 D669,704 S 10/2012 Zambelli
 D669,706 S 10/2012 Zambelli
 D669,707 S 10/2012 Zambelli
 D670,105 S 11/2012 Jespersen
 D674,891 S 1/2013 Huang
 D675,716 S 2/2013 Schwartz
 D687,250 S 8/2013 Weatherly
 D694,873 S 12/2013 Nemes
 D696,758 S 12/2013 Ernst
 8,607,776 B2 12/2013 Jansson
 8,813,656 B1 8/2014 Hazzard
 D716,288 S 10/2014 O'Heron
 D717,081 S 11/2014 Dworman
 D717,569 S 11/2014 Davis
 D718,957 S 12/2014 Helser
 D719,384 S 12/2014 Sowers
 D720,563 S 1/2015 Burden
 D723,148 S 2/2015 Lawrence
 D723,843 S 3/2015 Lai
 9,004,060 B2 4/2015 Benedetti
 D731,823 S 6/2015 Kelinske
 D736,012 S 8/2015 Davis
 D737,418 S 8/2015 Hrydovyy
 D738,477 S 9/2015 Nemes
 D738,647 S 9/2015 Muller
 D741,630 S 10/2015 Meissner
 D742,142 S 11/2015 Everson
 D742,662 S 11/2015 Muller
 D743,192 S 11/2015 Davis
 D746,614 S 1/2016 Sheppard
 D747,123 S 1/2016 Zambelli
 D747,788 S 1/2016 Baker
 D747,900 S 1/2016 Sheppard
 9,228,742 B2 1/2016 Akiyama
 D748,768 S 2/2016 Stanton
 D752,905 S 4/2016 Healy
 D753,930 S 4/2016 Vengadkrishnan
 D757,350 S 5/2016 Levy
 D758,766 S 6/2016 Kirar
 D759,997 S 6/2016 Ruiz
 D767,752 S 9/2016 Davis
 D767,753 S 9/2016 Edmund
 D768,413 S 10/2016 Huang
 D773,862 S 12/2016 Davis
 D775,866 S 1/2017 Ben Avi
 D777,479 S 1/2017 Anderson
 D778,641 S 2/2017 Anderson
 D778,646 S 2/2017 Davis
 D783,324 S 4/2017 Akana
 D791,302 S 7/2017 Davis
 D791,522 S 7/2017 Rodd
 D792,132 S 7/2017 Peota
 D793,776 S 8/2017 Davis
 D798,640 S 10/2017 Anderson
 D804,861 S 12/2017 Failing
 D807,671 S 1/2018 Caillouet
 D808,203 S 1/2018 Davis
 D808,688 S 1/2018 Everson
 D808,690 S 1/2018 Hsu
 D812,938 S 3/2018 Moore

D814,410 S 4/2018 Emslie
 D817,037 S 5/2018 Davis
 D817,038 S 5/2018 Davis
 D817,040 S 5/2018 Davis
 D817,666 S 5/2018 Davis
 D817,667 S 5/2018 Davis
 D818,750 S 5/2018 Hannoosh
 D821,038 S 6/2018 Rathman
 D824,703 S 8/2018 Yamamoto
 D825,233 S 8/2018 Yamamoto
 D825,959 S 8/2018 Rockwell
 D833,782 S 11/2018 Amacher
 D834,354 S 11/2018 Davis
 D834,355 S 11/2018 Davis
 D835,437 S 12/2018 Stukenberg
 D835,925 S 12/2018 Denby
 D838,523 S 1/2019 Yamamoto
 D843,756 S 3/2019 Johnson
 D845,041 S 4/2019 Davis
 D845,679 S 4/2019 Li
 D845,683 S 4/2019 Pedersen
 D848,766 S 5/2019 Chen
 D848,768 S 5/2019 Johnson
 D848,770 S 5/2019 Davis
 D849,457 S * 5/2019 Kundig D6/671
 D850,815 S 6/2019 Nicoll
 D858,148 S 9/2019 Crutcher
 D860,687 S 9/2019 Parikh
 2004/0074858 A1 4/2004 Thuma
 2004/0079714 A1 4/2004 Andrew
 2004/0222721 A1 11/2004 Kelley
 2004/0237853 A1 12/2004 Sholz
 2005/0000241 A1 1/2005 Kucera
 2005/0103734 A1 5/2005 Saltzberg
 2007/0062983 A1 3/2007 Barnett
 2007/0138119 A1 6/2007 Schwerdlin
 2007/0236111 A1 10/2007 Gray
 2008/0116771 A1 5/2008 Green
 2008/0181587 A1 7/2008 Patil
 2008/0203042 A1 8/2008 Felsenthal
 2008/0216817 A1 9/2008 Yungbluth
 2009/0025414 A1 1/2009 Koga
 2009/0151375 A1 6/2009 Tarr
 2009/0170421 A1 7/2009 Adrian
 2009/0220221 A1 9/2009 Zhou
 2010/0307179 A1 12/2010 Fava
 2011/0000477 A1 1/2011 Kwon
 2011/0017691 A1 1/2011 Wu
 2011/0079688 A1 4/2011 Grove
 2011/0080261 A1 4/2011 Asofsky
 2011/0120166 A1 5/2011 Nadel
 2011/0220090 A1 9/2011 Atemboski
 2014/0116418 A1 5/2014 Thomas
 2014/0252939 A1 9/2014 Tunzi
 2014/0265754 A1 9/2014 Patterson
 2014/0265807 A1 9/2014 Kendall
 2014/0318529 A1 10/2014 Nielson
 2015/0182021 A1 7/2015 Chang
 2015/0323190 A1 11/2015 Stein
 2016/0018112 A1 1/2016 Phillips
 2016/0100698 A1 4/2016 Clark
 2016/0209102 A1 7/2016 Vulava
 2016/0223213 A1 8/2016 Grohova
 2016/0256032 A1 9/2016 Bhajak
 2017/0089587 A1 3/2017 Nemes
 2017/0211814 A1 7/2017 Bourne
 2018/0006424 A1 1/2018 Vahala et al.

FOREIGN PATENT DOCUMENTS

CA 165554 7/2016
 CA 171259 9/2017
 CA 179415 2/2018
 CA 182458 7/2018
 CA 182460 7/2018
 CA 182461 7/2018
 CA 182700 7/2018
 CA 182701 7/2018
 CN 304163895 9/2017

(56)

References Cited

FOREIGN PATENT DOCUMENTS

CN	305138614	5/2019
GB	1162368	8/1969
GB	4001474	5/2007
GB	4032905	11/2013
GB	4034171	7/2014
WO	WOD076242-061	5/2011

OTHER PUBLICATIONS

U.S. Appl. No. 29/611,963, filed Jul. 27, 2017, Davis.
 U.S. Appl. No. 29/634,946, filed Jan. 25, 2018, Davis.
 U.S. Appl. No. 29/634,903, filed Jan. 25, 2018, Davis.
 U.S. Appl. No. 29/654,941, filed Jun. 28, 2018, Davis.
 U.S. Appl. No. 29/654,935, filed Jun. 28, 2018, Davis.
 U.S. Appl. No. 29/654,950, filed Jun. 28, 2018, Davis.
 U.S. Appl. No. 29/656,499, filed Jul. 12, 2018, Davis.
 U.S. Appl. No. 29/656,479, filed Jul. 12, 2018, Davis.
 U.S. Appl. No. 29/656,486, filed Jul. 12, 2018, Davis.
 U.S. Appl. No. 29/656,497, filed Jul. 12, 2018, Davis.
 Monet Fireplace; Canadian Tire Company website: <http://www.canadiantire.ca/en/pdp/monet-fireplace-0643572p.html>; retrieved on Dec. 21, 2016.
 TV and Media Consoles, image post date Sep. 21, 2013, site visited Oct. 26, 2016, (online), <<http://web.archive.org/web/20130921074219/http://www.electrictvfireplacesdirect.com/Gallery/tv-and-media-consoles.html>>.
 "Kendall Electric Media Fireplace—Espresso" Dec. 24, 2012, amazon.com, site visited Mar. 6, 2018 <https://www.amazon.com/Kendall-Electric-Media-Fireplace-Espresso/dp/B009LITSXQ/ref=cm_cr_ar_p_d_product_top?ie=UTF8> (Year: 2012).
 "Whalen Media Fireplace Console for TVs up to 70" Gray" Nov. 24, 2015, walmart.com, site visited Mar. 6, 2018 <<https://www.walmart.com/ip/Whalen-Media-Fireplace-Console-for-TVs-up-to-70-Gray/54189794>> (Year: 2015).
 "Boston Loft Furnishings . . ." Nov. 7, 2016, themine.com, site visited Mar. 2, 2018 <https://www.themine.com/tv-stands/boston-loft-furnishings-reamrock-infrared-electric-fireplace-media-stand-with-convertible-corner_g2733659.html> (Year: 2016).
 "Ameriwood Home Everett 70-inch . . ." Dec. 6, 2016, overstock.com, Site Visited Mar. 2, 2018 <<https://www.overstock.com/Home-Garden/Ameriwood-Home-Everett-70-inch-Sonoma-Oak-TVStand-with-Glass-Doors/12710691/product.html>> (Year: 2016).
 U.S. Appl. No. 29/654,930, filed Jun. 28, 2018, Davis.
 U.S. Appl. No. 29/654,936, filed Jun. 28, 2018, Davis.
 U.S. Appl. No. 29/654,952, filed Jun. 28, 2018, Davis.
 U.S. Appl. No. 29/656,492, filed Jul. 12, 2018, Davis.
 U.S. Appl. No. 29/656,489, filed Jul. 12, 2018, Davis.
 U.S. Appl. No. 29/634,889, filed Jan. 25, 2018, Davis.
 Media Console with Electric Fireplace, image post date Dec. 6, 2015, site visited Aug. 8, 2016, (online), <<http://www.overstock.com/Home-Garden/Media-Console-with-Electric-Fireplace-in-Barnwood/10309735/product.html?recset=05953330-aaa1-4640-a796-f225c2f8176d&refccid=MRISGBB2MZGZXYKK4EFV125H6Q&recalg=809,828,512&recidx=1#reviews>>.
 Electric Fireplace, Image post date May 26, 2014, site visited Aug. 8, 2016, (online) <https://www.tineye.com/search/3c3d0cbfb7030b3079ebefa0774a5b4e94120332/?pluginver=>>.
 Walker Edison TV Stand with Fireplace Insert, image post date Jul. 31, 2015, site visited Aug. 8, 2016, (online), <<https://www.amazon.com/Walker-Edison-Fireplace-Insert-Espresso/dp/BOOPNONTAK>>.
 Manchester Fireplace TV Console, image post date Dec. 17, 2015, site visited Aug. 8, 2016, (online), <<http://www.walmart.com/ip/Manchester-Media-Fireplace-Stand-for-TVs-up-to-70/46360223>>.
 TV Stand with Fireplace, image post date Sep. 12, 2015, site visited Aug. 8, 2016 (online); www.tineye.com/search.
 Metal Coffee Table; <https://www.overstock.com/Home-Garden/42-Metal-Coffee-Table-42-x-24-x-18h/15951452/product.html> Retrieved on Nov. 13, 2018.

Modern Two-Tone Writing Desk; <https://www.overstock.com/Home-Garden/44-Modern-Two-Tone-Writing-Desk/19684325/product.html> Retrieved on Nov. 13, 2018.

U.S. Appl. No. 29/677,722, filed Jan. 23, 2019, Davis.

U.S. Appl. No. 29/677,723, filed Jan. 23, 2019, Davis.

U.S. Appl. No. 29/677,724, filed Jan. 23, 2019, Davis.

U.S. Appl. No. 29/677,738, filed Jan. 23, 2019, Davis.

U.S. Appl. No. 29/677,755, filed Jan. 23, 2019, Davis.

U.S. Appl. No. 29/677,761, filed Jan. 23, 2019, Davis.

Czapla TV Stand for TVs up to 65"; <https://www.allmodern.com/furniture/pdp/mercury-row-czapla-tv-stand-for-tvs-up-to-65-a000303456.html> ; Retrieved on May 7, 2019.

Nelson Media Cabinet; <https://www.franceandson.com/collections/storage-shelving-media-cabinets/products/nelson-media-cabinet36051> ; Retrieved on May 7, 2019.

Hal TV Stand for TVs up to 60"; <https://www.allmodern.com/furniture/pdp/hal-tv-stand-for-tvs-up-to-60-a000176456.html> ; Retrieved on May 7, 2019.

Wigington TV Stand for TVs up to 60"; <https://www.allmodern.com/furniture/pdp/wigington-tv-stand-for-tvs-up-to-60-golv3670.html?piid> ; Retrieved on May 7, 2019.

Cliffmay Slat Media Stand Light Oak Brown—Project 62; https://www.target.com/p/cliffmay-slat-media-stand-light-oak-brown-project-62-153/-/A-53517373?ref=tgt_adv_XS000000&AFID=google_pla_df&fndsrc=tgtao&CPNG=PLA_Furniture%2BShopping_Priority%2BBrands&adgroup=SC_Project+62&LID=700000001170770pgs&network=g&device=c&location=9029756&gclsrc=aw.ds&ds_rl=1246978&ds_rl=1247068&ds_rl=1246978&ref=tgt_adv_XS000000&AFID=google_pla_df&CPNG=PLA_Furniture+Shopping_Priority+Brands&adgroup=SC_Project%2062&LID=700000001170770pgs&network=g&device=c&location=9029756&gclid=EAAlaIQobChMI7Nb9wo-H3wIVBylpCh1fSg4IEAQYBSABEGK_yPD_BwE&gclsrc=aw.ds ; Retrieved on May 7, 2019.

Audrey Woven Media Console 65"; <https://www.zinhome.com/audrey-woven-media-console-65/> ; Retrieved on May 14, 2019.

Demilune Mesh Door Industrial Sideboard; https://belleescape.com/demilune-mesh-wire-door-industrial-chic-sideboard.html?_SID=U ; Retrieved on May 14, 2019.

Tuk Cabinet; <https://blackroosterdecor.com/collections/storage/products/tuk-cabinet> ; Retrieved on May 14, 2019.

Rustic Style 31 Inches Metal TV Stand With Wire Mesh Doors Cabinet, Black; <https://casagear.com/products/rustic-style-31-inches-metal-tv-stand-with-wire-mesh-doors-cabinet-black>; May 14, 2019.

Geo-Marquetry Buffet; https://www.anthropologie.com/shop/geo-marquetry-buffet?adpos=1o27&adtype=pla&cm_mmc=Google-US%20-%20Shopping%20-%20Furniture-Organizing%20and%20Storage-42699934&color=&countryCode=US&creative=191389729567&device=c&gclid=EAAlaIQobChMlvuTGgYOH3wIVEdNkCh3t8wRPEAkYGyABEGJG_PD_BwE&inventoryCountry=US&matchtype=&mrkgadid=3202938336&mrkgc1=694&network=g&product_id=42699934&quantity=1&size=ALL&type=STANDARD&utm_campaign=US%20-%20Shopping%20-%20Furniture&utm_content=42699934&utm_medium=paid_search&utm_source=Google&utm_term=Organizing%20and%20Storage; Retrieved on May 14, 2019.

Suspend II Media Console; <https://www.cb2.com/suspend-ii-media-console/s523915>; Retrieved on May 14, 2019.

Hooker Furniture Melange Mirrored Angle Console; https://www.furniturecrate.com/hooker-melange-mirrored-angle-console.html?gdftrk=gdfV21650_a_7c92_a_7c8357_a_7c654170&gclid=CjwKEAiA05unBRCymrGilanF9SwSJACqDFRm1WwgePUSp65sXRCI4RkJfScYn-yCjNuB-GTt3W-FxoCQL7w_wcB; Retrieved on May 14, 2019.

FurnitureMaxx Besteen Contemporary Wood Dark Gray Dining Room Server; https://www.amazon.com/dp/B07GVS1VK2/ref=cm_sw_r_pi_dp_U_x_evuOBbFM3298G; Retrieved on May 14, 2019.

Jaydyn Media TV Stand/Credenza; https://www.macys.com/shop/product/jaydyn-media-tv-stand-credenza?ID=2883210&CategoryID=35319#fn=FURNITURE_CATEGORY=Buffet%20&%20Sideboards&SIZE=&sp=3&spc=131&ruleId=129%7CBOOST%20ATTRIBUTE%7CBOOST%20SAVED%20SET&searchPass=matchNone&slotId=2; Retrieved on May 14, 2019.

(56)

References Cited

OTHER PUBLICATIONS

Sideboard; <https://www.allmodern.com/furniture/pdp/sideboard-sct11710.html>; Retrieved on May 14, 2019.

Belham Living Trenton Industrial End Table; https://www.hayneedle.com/product/belham-living-trenton-industrial-end-table-new.cfm?source=pla&kwid=OccasionalTables%20prefer&tid=REDU113-1&adtype=pla&kw=&gclid=EAIaIQobChMIvOu-6veI3wIVB8ZkCh0ZdAf-EAkYAyABEgLyMfD_BwE; Retrieved on May 15, 2019.

Belham Living Hampton Chair Side Table—Black; <https://www.hayneedle.com/product/belham-living-hampton-chair-side-table-black.cfm>; Retrieved on May 15, 2019.

International Concepts Hampton End Table; https://www.hayneedle.com/product/internationalconceptshamptonendtable.cfm?source=pla&kwid=OccasionalTables%20level05&tid=WWI545-1&adtype=pla&kw=&gclid=EAIaIQobChMIpsnoq_mI3wIVGNVCh348gtdEAKYIiABEgLP7fD_BwE; Retrieved on May 15, 2019.

Hampton Weathered Taupe Gray Coffee Table; https://www.homedepot.com/p/International-Concepts-Hampton-Weathered-Taupe-Gray-Coffee-Table-OT09-70C/302946359?MERCH=REC--PIPHorizontal2_rr--204737265--302946359--N; Retrieved on May 15, 2019.

Convenience Concepts Oxford Rectangle Coffee Table; https://www.hayneedle.com/product/convenience-concepts-oxford-rectangle-coffee-table.cfm?source=pla&kwid=OccasionalTables%20newskus&tid=CONV338-5&adtype=pla&kw=&gclid=EAIaIQobChMIhuzv9_mI3wIVWx-tBh1rUAItEAKYHYABEgJ2hPD_BwE; Retrieved on May 15, 2019.

Belham Living Jamestown Rustic Coffee Table with Unique Driftwood Finish; <https://www.hayneedle.com/product/jamestown-rustic-coffee-table.cfm>; Retrieved on May 15, 2019.

U.S. Appl. No. 29/654,936, dated Jun. 19, 2019, Notice of Allowance.

U.S. Appl. No. 29/656,479, dated Jun. 27, 2019, Notice of Allowance.

Pinterest; www.pinterest.com/pin/336328451393621/; Retrieved on Jun. 12, 2019.

Target Winham TV Stand—Threshold; www.target.com/p/windham-tv-stand-threshold-153/-/A-54301349; Retrieved on Jun. 12, 2019.

Pinterest DIY Farmhouse Coffee Table Cabinet; www.pinterest.com/pin/33636328450994833/; Retrieved on Jun. 12, 2019.

Image seen on Pinterest DIY Project; Pinterest.com; Seen approximately Aug. 1, 2017.

World Market—Metal Bexley Bar; www.worldmarket.com/product/metal+bexley+bar.do?pp=1; Retrieved on Sep. 25, 2019.

Overstock—Nova Domus Soria Modern Walnut TV Stand; https://www.overstock.com/Home-Garden/Nova-Domus-Soria-Modern-Walnut-TV-Stand/10359356/product.html?utm_campaign=pin+button&utm_medium=Social&utm_source=Pinterest; Retrieved on Jun. 12, 2019.

Restriction Requirement for U.S. Appl. No. 29/654,950 dated Sep. 25, 2019.

Office Action for U.S. Appl. No. 29/656,489 dated Sep. 25, 2019.

Office Action for U.S. Appl. No. 29/656,497 dated Sep. 25, 2019.

Office Action for U.S. Appl. No. 29/656,499, dated Sep. 26, 2019.

Notice of Allowance for U.S. Appl. No. 29/656,486 dated Sep. 27, 2019.

Notice of Allowance for U.S. Appl. No. 29/656,479 dated Oct. 21, 2019.

“Seren TV Stand for TVs up to 50 inches” Wayfair. (Accessed Nov. 14, 2019).

Electric Fireplaces Direct.com. <https://www.electricfireplacesdirect.com/products-accessories/tv-media-consoles/shelby-electric-fireplace-media-console-in-white-c3p18c9-2030w.html>. “Shelby Electric Fireplace Media Console in White”. Date unknown: Viewed Dec. 2019 (Year: 2019).

Pikove. <https://pikove.com/media/509962357792326443>. “Home Decor”. Feb. 2017 (Year: 2017).

Luno. <https://iamluno.com/product/kc27-record-console-new/>. “KC27 Hifi Record Console”. Date unknown: Viewed Dec. 2019 (Year: 2019).

U.S. Appl. No. 29/654,952, dated Nov. 15, 2019, Office Action.

U.S. Appl. No. 29/656,492, dated Nov. 18, 2019, Notice of Allowance.

U.S. Appl. No. 29/634,946, dated Dec. 12, 2019, Office Action.

U.S. Appl. No. 29/654,950, dated Dec. 27, 2019, Notice of Allowance.

U.S. Appl. No. 29/656,499, dated Jan. 23, 2020, Notice of Allowance.

U.S. Appl. No. 29/656,497, dated Jan. 23, 2020, Notice of Allowance.

U.S. Appl. No. 29/656,489, dated Jan. 24, 2020, Notice of Allowance.

* cited by examiner

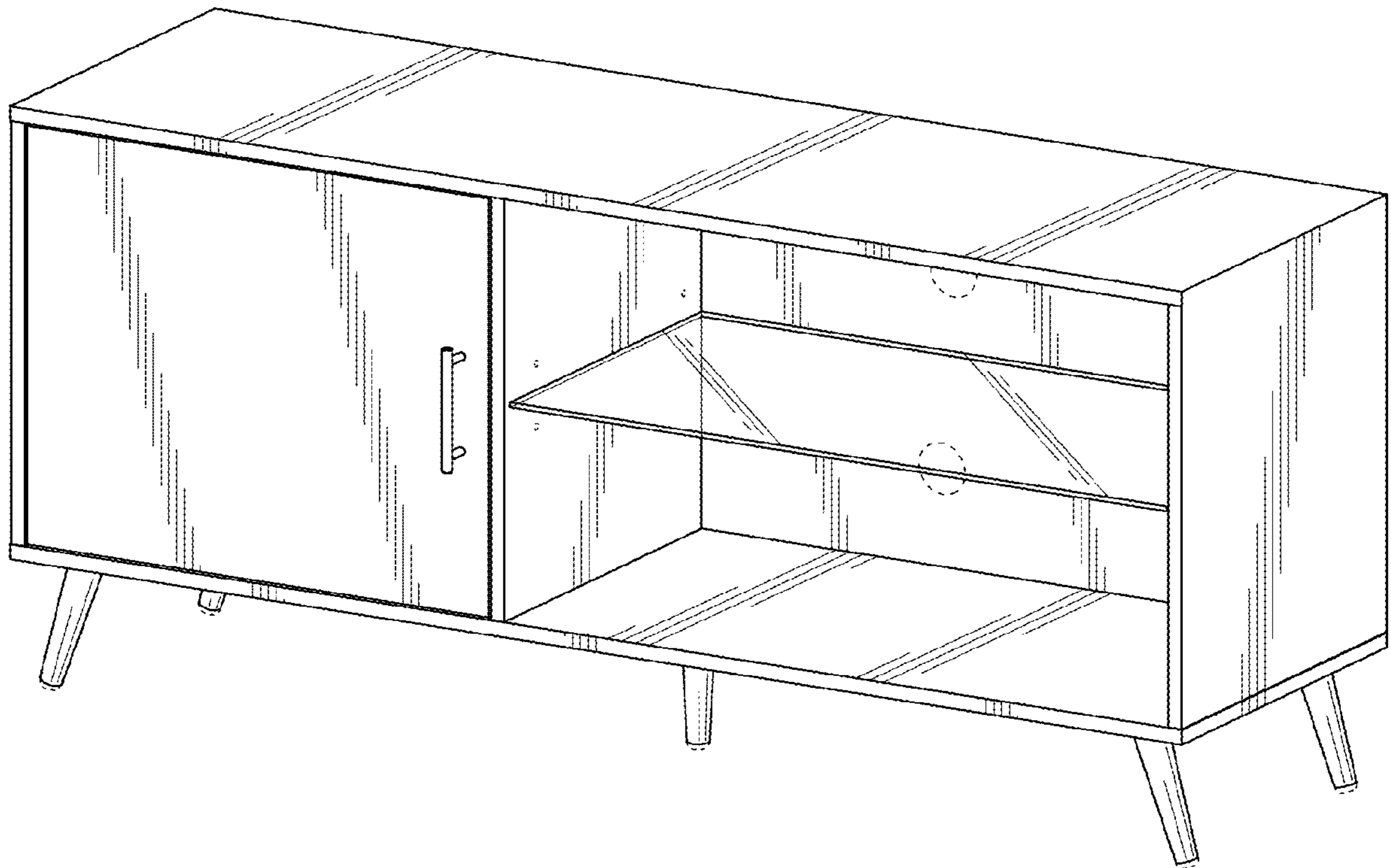


FIG. 1

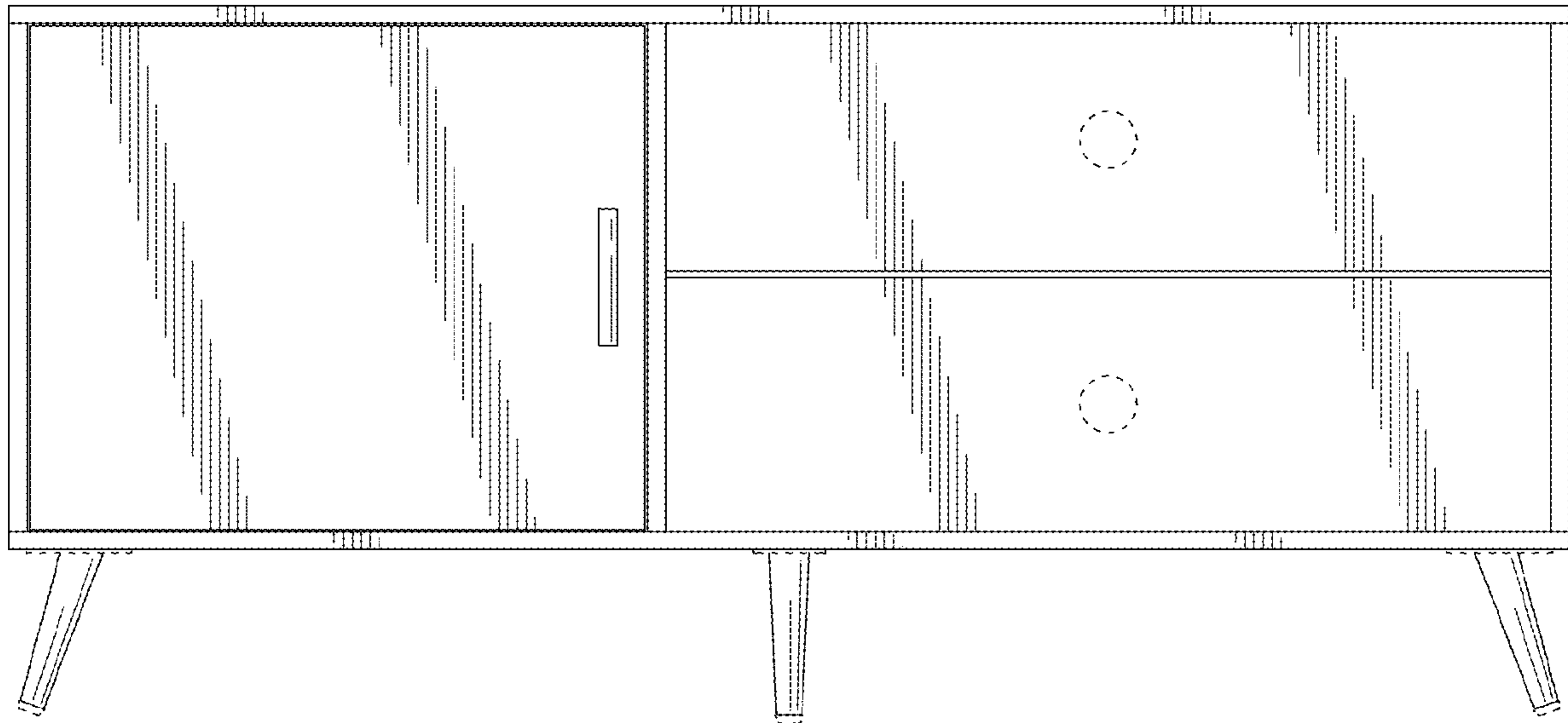


FIG. 2

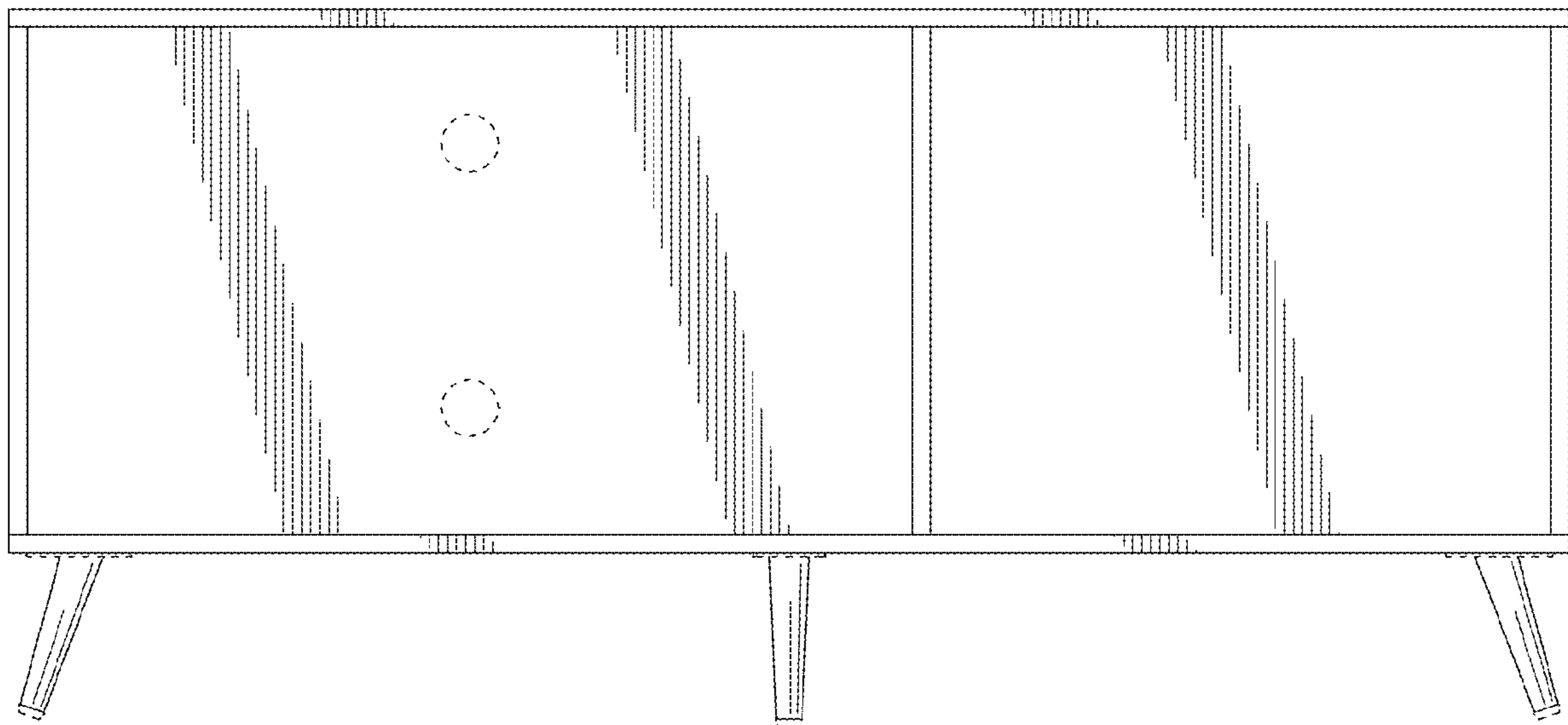


FIG. 3

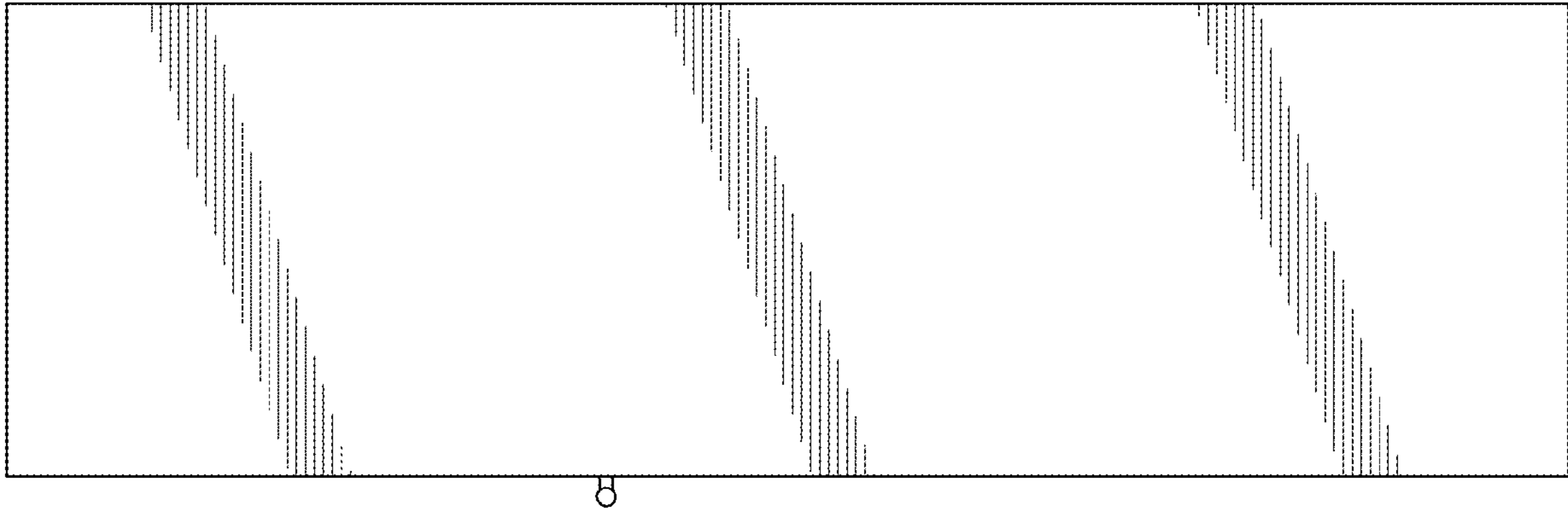


FIG. 4

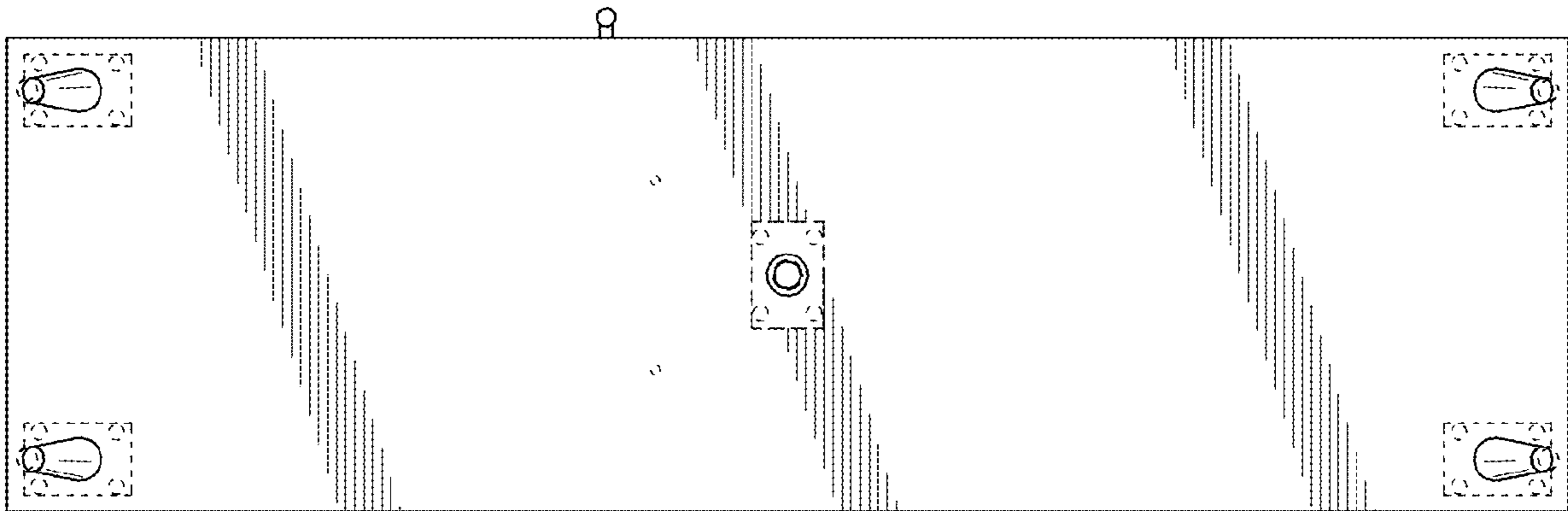


FIG. 5

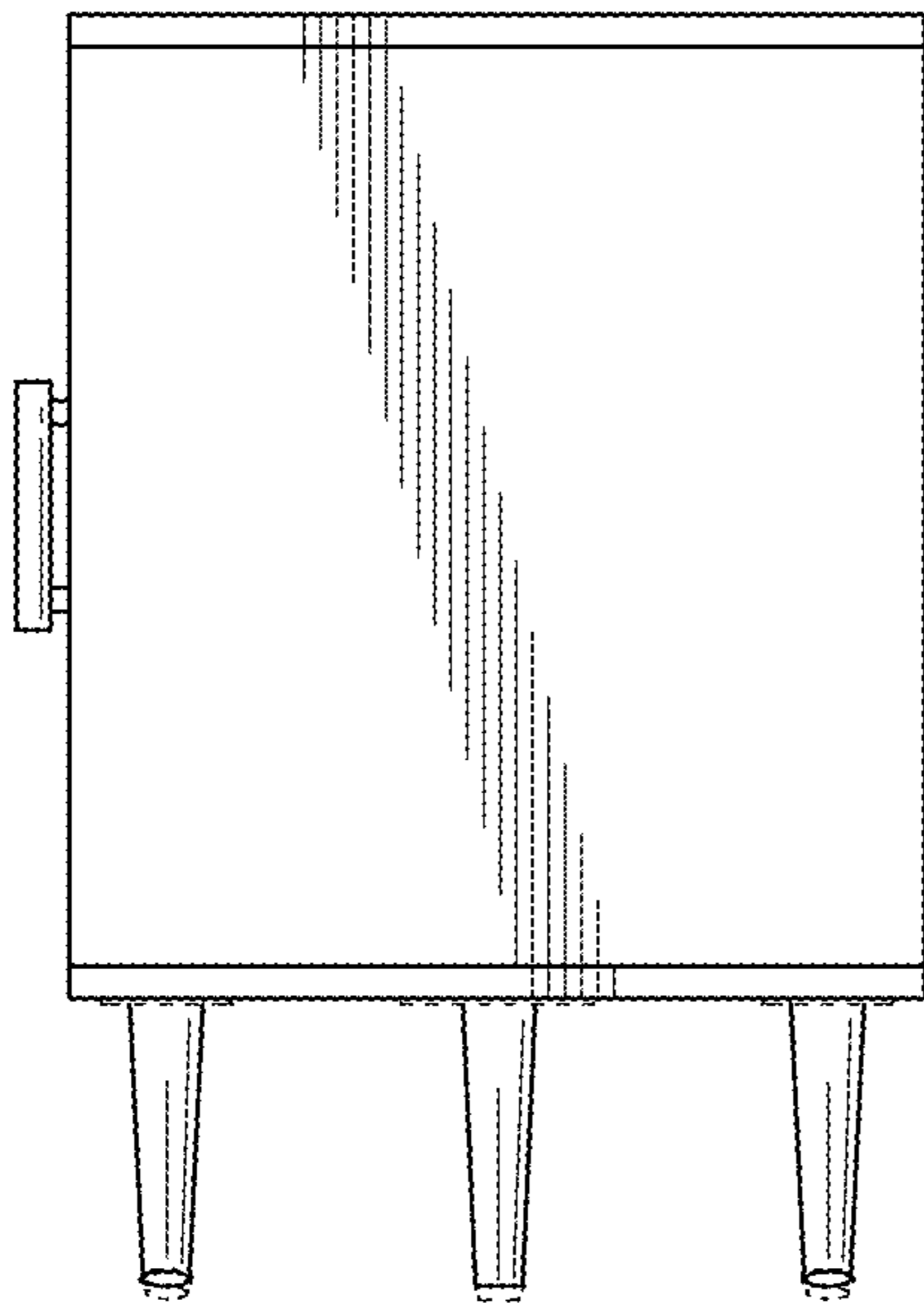


FIG. 6

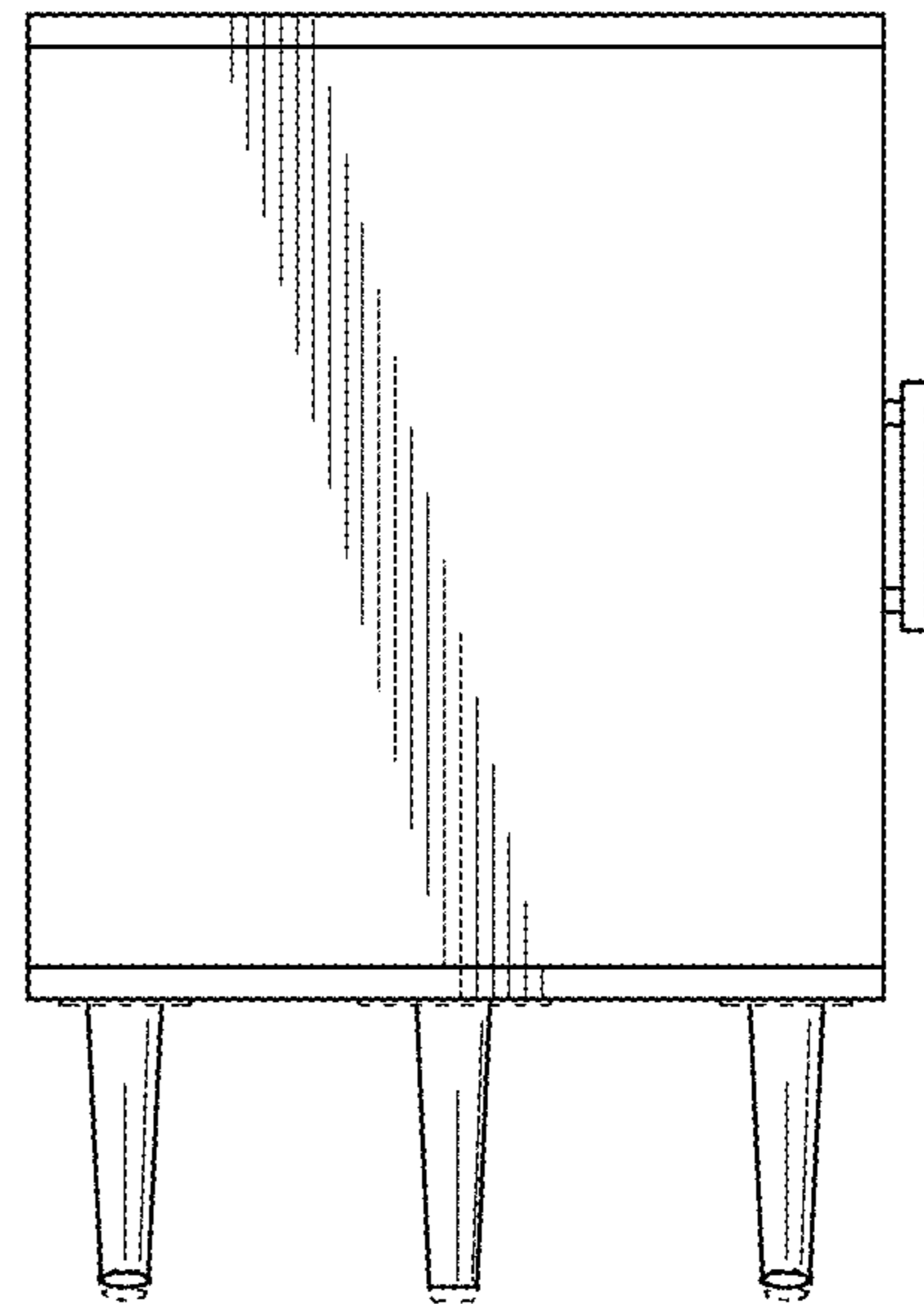


FIG. 7