



US00D878822S

(12) **United States Design Patent**  
**Davis et al.**

(10) **Patent No.:** **US D878,822 S**  
(45) **Date of Patent:** **\*\* Mar. 24, 2020**

- (54) **STAND**
- (71) Applicant: **WALKER EDISON FURNITURE COMPANY LLC**, Salt Lake City, UT (US)
- (72) Inventors: **Matthew Davis**, Murray, UT (US);  
**Brad Bonham**, Draper, UT (US);  
**Richard Packer**, Kaysville, UT (US)
- (73) Assignee: **WALKER EDISON FURNITURE COMPANY LLC**, Salt Lake City, UT (US)

D66,028 S 11/1924 Lyons et al.  
 D66,889 S 3/1925 Schleicher  
 D68,065 S 8/1925 Schleicher  
 D68,659 S 11/1925 Smith  
 D78,127 S 3/1929 Schleicher  
 (Continued)

**FOREIGN PATENT DOCUMENTS**

CN 304163895 9/2017  
 CN 305138614 5/2019  
 (Continued)

**OTHER PUBLICATIONS**

Electric Fireplaces Direct.com. <https://www.electricfireplacesdirect.com/products-accessories/tv-media-consoles/shelby-electric-fireplace-media-console-in-white-c3p18c9-2030w.html>. "Shelby Electric Fireplace Media Console in White". Date unknown: Viewed Dec. 2019 (Year: 2019).\*

(Continued)

*Primary Examiner* — R. Johnson

(74) *Attorney, Agent, or Firm* — Workman Nydegger

- (\*\*) Term: **15 Years**
- (21) Appl. No.: **29/654,950**
- (22) Filed: **Jun. 28, 2018**
- (51) **LOC (12) Cl.** ..... **06-04**
- (52) **U.S. Cl.**  
USPC ..... **D6/661**
- (58) **Field of Classification Search**  
USPC ..... D6/512, 553, 559, 657, 659, 660, 661,  
D6/662, 663, 667, 669, 671, 671.1, 672,  
D6/673, 675, 682, 682.3, 683.1, 694  
CPC ..... A47B 46/00; A47B 47/00; A47B 47/02;  
A47B 47/021; A47B 47/022; A47B  
47/04; A47B 55/00; A47B 67/00; A47B  
67/02; A47B 67/04; A47B 83/04; A47B  
7/00; A47B 81/00; A47B 81/007; A47B  
81/02; A47F 3/00; A47F 3/005  
See application file for complete search history.

(57) **CLAIM**

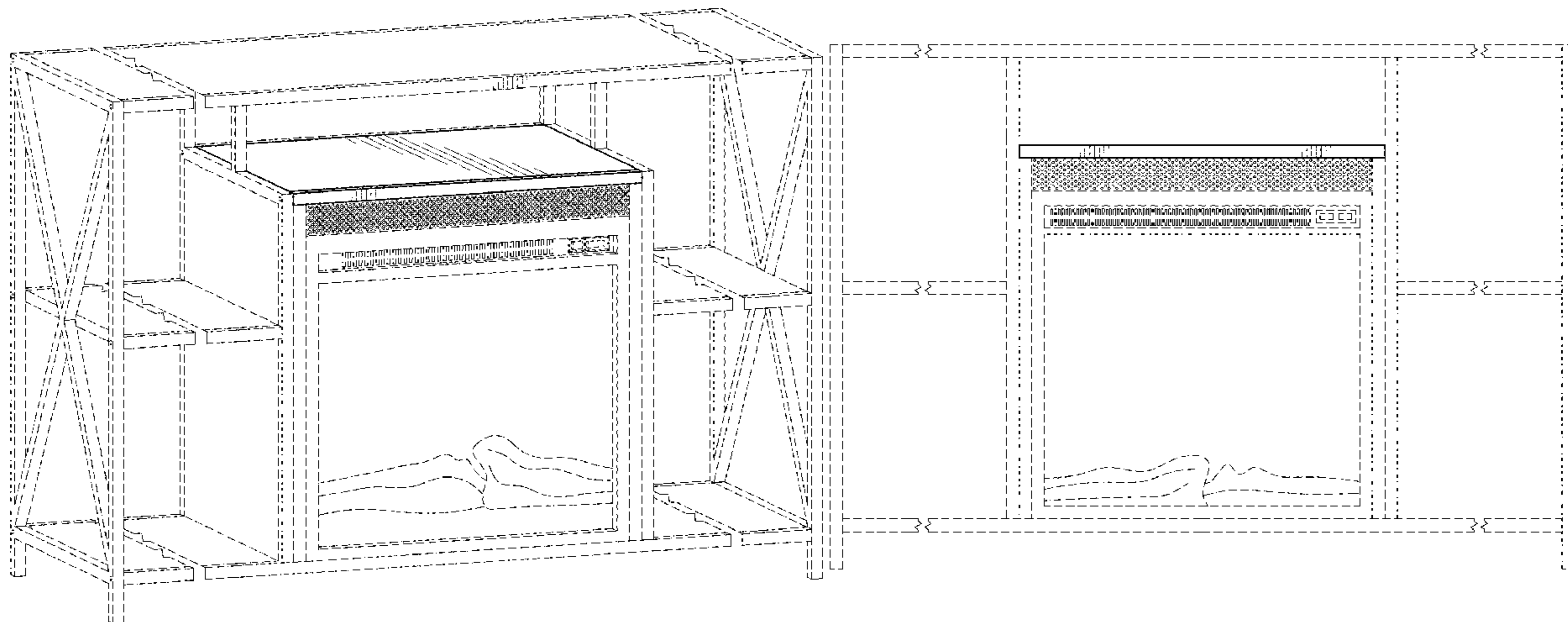
The ornamental design for a stand, as shown and described.

**DESCRIPTION**

FIG. 1 is a front perspective view of a stand showing our new design;  
 FIG. 2 is a front elevation view thereof;  
 FIG. 3 is a back elevation view thereof;  
 FIG. 4 is a top plan view thereof;  
 FIG. 5 is a bottom plan view thereof;  
 FIG. 6 is a right side elevation view thereof; and,  
 FIG. 7 is a left side elevation view thereof.  
 The broken lines in the drawings are for the purpose of illustrating portions of the article that form no part of the claimed design.

**1 Claim, 4 Drawing Sheets**

- (56) **References Cited**  
**U.S. PATENT DOCUMENTS**  
  
 245,925 A 8/1881 Kinsley  
 309,799 A 12/1884 Poulson  
 D47,600 S 7/1915 Koch  
 1,475,088 A 11/1923 Specht et al.  
 D64,390 S 4/1924 Arons  
 D64,922 S 6/1924 Naill



(56)

References Cited

U.S. PATENT DOCUMENTS

D103,250 S	2/1937	Parrish	D407,577 S	4/1999	Dorst
2,207,307 A	7/1940	Teller	D408,174 S	4/1999	Aspenwall
D166,077 S	3/1952	Haas	D420,114 S	2/2000	Johnson
2,696,419 A	12/1954	Wallance	D423,810 S	5/2000	Dorst
D175,869 S	10/1955	Trout	D425,330 S	5/2000	O'Hare
2,743,720 A	5/1956	Dollinger	6,074,029 A	6/2000	Snoke
D182,836 S	5/1958	Lubberts	D428,609 S	7/2000	Williams
2,850,346 A *	9/1958	Holderle ..... A47F 3/005	D430,431 S	9/2000	Walter
		312/140.4	D448,203 S	9/2001	Jeup
D186,115 S	9/1959	Church	D452,624 S	1/2002	de Blois
2,918,176 A	12/1959	Bell	D454,264 S	3/2002	Patik
D188,196 S	6/1960	Lubberts	D455,916 S	4/2002	Fluhrer
D188,197 S	6/1960	Swarts	6,393,207 B1	5/2002	Martin
3,039,621 A	6/1962	Pilcher	D466,333 S	12/2002	Hwang
D193,516 S	9/1962	Deaton	6,515,262 B1	2/2003	Li
D196,451 S	10/1963	McMullen	D477,160 S	7/2003	Grosfillex
3,217,671 A	11/1965	Walsh	D478,432 S	8/2003	Juneau
3,272,582 A	9/1966	Mack	D479,925 S	9/2003	Hsieh
3,354,878 A	11/1967	Balls	D485,709 S	1/2004	de Blois
3,589,746 A	6/1971	Inglis	D492,989 S	7/2004	Beck
RE27,186 E	10/1971	Ferdinand	D495,898 S	9/2004	Walker
RE27,200 E	10/1971	Ferdinand et al.	6,789,859 B1	9/2004	Ho
3,762,789 A	10/1973	Robertson	D499,274 S	12/2004	Juneau
3,766,863 A	10/1973	Swick	D499,281 S	12/2004	Yamaguchi
D233,294 S	10/1974	Goulder	D499,583 S	12/2004	Anderson
D236,676 S	9/1975	Urti	D503,570 S	4/2005	Anderson
D238,277 S	12/1975	Parker	D507,428 S	7/2005	Weatherly
D239,352 S	3/1976	Petrick	D510,211 S	10/2005	Welborn, Jr.
D244,112 S	4/1977	Friedman	D519,203 S	4/2006	Haas
D248,429 S	7/1978	Inohara	D522,771 S	6/2006	Berry
D249,429 S	9/1978	Robinson	D528,327 S	9/2006	O'Reilly
D249,860 S	10/1978	Ungaro	D534,379 S	1/2007	Juneau
4,182,244 A	1/1980	Hutchins	D534,998 S	1/2007	Charnick
D262,847 S	2/1982	Keller	D536,770 S	2/2007	Mayer
D269,754 S	7/1983	Kates	D538,406 S *	3/2007	Mayer ..... D23/286
D270,858 S	10/1983	McInnes	D539,057 S	3/2007	Senda
D281,901 S	12/1985	Demrick	D543,057 S	5/2007	Grady
D283,343 S	4/1986	Haythornthwaite	D543,728 S	6/2007	Becker
D303,596 S	9/1989	Goetz	D548,488 S	8/2007	Weatherly
D304,982 S	12/1989	Bush	D548,490 S	8/2007	Becker
D305,930 S	2/1990	MacAleese	D549,991 S	9/2007	Stravitz
D306,106 S	2/1990	Bush	D554,393 S	11/2007	Yalif
D319,230 S	8/1991	Sugiyama	D555,397 S	11/2007	Yalif
5,036,778 A	8/1991	Briosi	D559,583 S	1/2008	Zambelli
D319,743 S	9/1991	Grey	D559,584 S	1/2008	Zambelli
D327,735 S	7/1992	Smith	D559,585 S	1/2008	Lara
D328,341 S	7/1992	Chiu	D560,077 S	1/2008	Zambelli
D61,344 S	8/1992	Mayer	D560,396 S	1/2008	Weatherly
D329,693 S	9/1992	Mills	D560,930 S	2/2008	Woodward
D336,184 S	6/1993	Borgen	D561,317 S	2/2008	Ou
D347,754 S	6/1994	Mehlin	D562,597 S	2/2008	Weatherly
D348,576 S	7/1994	Narramore	D564,789 S	3/2008	deCarolis
D348,726 S	7/1994	Wilson	D567,346 S	4/2008	Lin
D353,960 S	1/1995	Barfield	D587,483 S	3/2009	Zambelli
5,409,122 A	4/1995	Lazarus	D587,484 S	3/2009	Domack
5,452,812 A	9/1995	Niequist	D587,497 S	3/2009	Zambelli
D363,176 S	10/1995	Berry	D588,831 S	3/2009	Mohundro
D363,841 S	11/1995	Nourse	D589,280 S	3/2009	Zambelli
D364,055 S	11/1995	Pakla	D591,533 S	5/2009	Karsson
D364,064 S	11/1995	Lorenz	D592,432 S	5/2009	Sexton
5,463,966 A	11/1995	Nilsson	7,530,538 B2	5/2009	Whalen
D365,472 S	12/1995	Rehnberg	D593,776 S	6/2009	Sexton
D366,110 S	1/1996	Darr	D594,248 S	6/2009	Zambelli
D367,383 S	2/1996	Hatrack-Smith	D604,546 S	11/2009	Alman
D373,693 S	9/1996	Elhage	D605,874 S	12/2009	Zambelli
5,628,256 A	5/1997	Lazarus	D611,727 S	3/2010	Vail
D385,431 S	10/1997	Lee	D614,888 S	5/2010	Sexton
5,695,081 A	12/1997	Alkalay	D618,015 S	6/2010	Sexton
D389,343 S	1/1998	Van Der Merwe	D618,016 S	6/2010	Metcalf
D390,936 S	2/1998	French	D620,278 S	7/2010	Zambelli
5,752,500 A	5/1998	Jamieson	D620,283 S	7/2010	Calco
5,782,231 A	7/1998	Wade	D622,834 S	8/2010	Jiang
5,833,084 A	11/1998	Chang	D623,442 S	9/2010	Zambelli
D403,529 S	1/1999	De Blaay	D623,876 S	9/2010	Zambelli
D404,937 S	2/1999	Tarlow	D623,877 S	9/2010	Zambelli
			D625,123 S	9/2010	Zambelli
			D630,453 S	1/2011	Rafieha
			D632,902 S	2/2011	Rafieha
			D638,922 S	5/2011	Zhou

(56)

References Cited

U.S. PATENT DOCUMENTS

7,934,494 B1 5/2011 Schneider  
 D640,072 S 6/2011 Sexton  
 D641,861 S 7/2011 Okamoto  
 D644,853 S 9/2011 Becker  
 D653,051 S 1/2012 Lin  
 D653,739 S 2/2012 Gibbs  
 D654,289 S 2/2012 Zambelli  
 D654,995 S 2/2012 Asofsky  
 D654,996 S 2/2012 Asofsky  
 D655,946 S 3/2012 Sexton  
 D658,750 S 5/2012 Nemes  
 D663,137 S 7/2012 Andersen  
 D663,138 S 7/2012 Andersen  
 D665,897 S 8/2012 Martin  
 D666,281 S 8/2012 Nemes  
 D667,654 S 9/2012 Lenney  
 D668,475 S 10/2012 Zambelli  
 D669,704 S 10/2012 Zambelli  
 D669,706 S 10/2012 Zambelli  
 D669,707 S 10/2012 Zambelli  
 D670,105 S 11/2012 Jespersen  
 D674,891 S 1/2013 Huang  
 D675,716 S 2/2013 Schwartz  
 D687,250 S 8/2013 Weatherly  
 D694,873 S 12/2013 Nemes  
 D696,758 S 12/2013 Ernst  
 8,607,776 B2 12/2013 Jansson  
 8,813,656 B1 8/2014 Hazzard  
 D716,288 S 10/2014 O'Heron  
 D717,081 S 11/2014 Dworman  
 D717,569 S 11/2014 Davis  
 D718,957 S 12/2014 Helser  
 D719,384 S 12/2014 Sowers  
 D720,563 S 1/2015 Burden  
 D723,148 S 2/2015 Lawrence  
 D723,843 S 3/2015 Lai  
 9,004,060 B2 4/2015 Benedetti  
 D731,823 S 6/2015 Kelinske  
 D736,012 S 8/2015 Davis  
 D737,418 S 8/2015 Hrydovyy  
 D738,477 S 9/2015 Nemes  
 D738,647 S 9/2015 Muller  
 D741,630 S 10/2015 Meissner  
 D742,142 S 11/2015 Everson  
 D742,662 S 11/2015 Muller  
 D743,192 S 11/2015 Davis  
 D746,614 S 1/2016 Sheppard  
 D747,123 S 1/2016 Zambelli  
 D747,788 S 1/2016 Baker  
 D747,900 S 1/2016 Sheppard  
 9,228,742 B2 1/2016 Akiyama  
 D748,768 S 2/2016 Stanton  
 D752,905 S 4/2016 Healy  
 D753,930 S 4/2016 Vengadakrishnan  
 D757,350 S 5/2016 Levy  
 D758,766 S 6/2016 Kirar  
 D759,997 S 6/2016 Ruiz  
 D767,752 S 6/2016 Davis  
 D767,753 S 9/2016 Edmund  
 D768,413 S 10/2016 Huang  
 D773,862 S 12/2016 Davis  
 D775,866 S 1/2017 Ben Avi  
 D777,479 S 1/2017 Anderson  
 D778,641 S 2/2017 Anderson  
 D778,646 S 2/2017 Davis  
 D783,324 S 4/2017 Akana  
 D791,302 S 7/2017 Davis  
 D791,522 S 7/2017 Rodd  
 D792,132 S 7/2017 Peota  
 D793,776 S 8/2017 Davis  
 D798,640 S 10/2017 Anderson  
 D804,861 S 12/2017 Failing  
 D807,671 S 1/2018 Caillouet  
 D808,203 S 1/2018 Davis  
 D808,688 S 1/2018 Everson

D808,690 S 1/2018 Hsu  
 D812,938 S 3/2018 Moore  
 D814,410 S 4/2018 Emslie  
 D817,037 S 5/2018 Davis  
 D817,038 S 5/2018 Davis  
 D817,040 S 5/2018 Davis  
 D817,666 S 5/2018 Davis  
 D817,667 S 5/2018 Davis  
 D818,750 S 5/2018 Hannoosh  
 D821,038 S 6/2018 Rathman  
 D824,703 S 8/2018 Yamamoto  
 D825,233 S 8/2018 Yamamoto  
 D825,959 S 8/2018 Rockwell  
 D833,782 S 11/2018 Amacher  
 D834,354 S 11/2018 Davis  
 D834,355 S 11/2018 Davis  
 D835,437 S 12/2018 Stukenberg  
 D835,925 S 12/2018 Denby  
 D838,523 S 1/2019 Yamamoto  
 D843,756 S 3/2019 Johnson  
 D845,041 S 4/2019 Davis  
 D845,679 S 4/2019 Li  
 D845,683 S 4/2019 Pedersen  
 D848,766 S 5/2019 Chen  
 D848,768 S 5/2019 Johnson  
 D848,770 S 5/2019 Davis  
 D849,457 S 5/2019 Kundig  
 D850,815 S 6/2019 Nicoll  
 D858,148 S \* 9/2019 Crutcher ..... D6/661  
 D860,687 S 9/2019 Parikh  
 2004/0074858 A1 4/2004 Thuma  
 2004/0079714 A1 4/2004 Andrew  
 2004/0222721 A1 11/2004 Kelley  
 2004/0237853 A1 12/2004 Sholz  
 2005/0000241 A1 1/2005 Kucera  
 2005/0103734 A1 5/2005 Saltzberg  
 2007/0062983 A1 3/2007 Barnett  
 2007/0138119 A1 6/2007 Schwerdlin  
 2007/0236111 A1 10/2007 Gray  
 2008/0116771 A1 5/2008 Green  
 2008/0181587 A1 7/2008 Patil  
 2008/0203042 A1 8/2008 Felsenthal  
 2008/0216817 A1 9/2008 Yungbluth  
 2009/0025414 A1 1/2009 Koga  
 2009/0151375 A1 6/2009 Tarr  
 2009/0170421 A1 7/2009 Adrian  
 2009/0220221 A1 9/2009 Zhou  
 2010/0307179 A1 12/2010 Fava  
 2011/0000477 A1 1/2011 Kwon  
 2011/0017691 A1 1/2011 Wu  
 2011/0079688 A1 4/2011 Grove  
 2011/0080261 A1 4/2011 Asofsky  
 2011/0120166 A1 5/2011 Nadel  
 2011/0220090 A1 9/2011 Atemboski  
 2014/0116418 A1 5/2014 Thomas  
 2014/0252939 A1 9/2014 Tunzi  
 2014/0265754 A1 9/2014 Patterson  
 2014/0265807 A1 9/2014 Kendall  
 2014/0318529 A1 10/2014 Nielsen  
 2015/0182021 A1 7/2015 Chang  
 2015/0323190 A1 11/2015 Stein  
 2016/0018112 A1 1/2016 Phillips  
 2016/0100698 A1 4/2016 Clark  
 2016/0209102 A1 7/2016 Vulava  
 2016/0223213 A1 8/2016 Grohova  
 2016/0256032 A1 9/2016 Bhajak  
 2017/0089587 A1 3/2017 Nemes  
 2017/0211814 A1 7/2017 Bourne  
 2018/0064246 A1 3/2018 Kassanoff

FOREIGN PATENT DOCUMENTS

GB 1162368 A \* 8/1969 ..... A47B 57/404  
 GB 4001474 5/2007  
 GB 4032905 11/2013

(56)

## References Cited

## FOREIGN PATENT DOCUMENTS

GB 4034171 7/2014  
 WO WOD076242-061 5/2011

## OTHER PUBLICATIONS

Pikove. <https://pikove.com/media/509962357792326443>. "Home Decor". Feb. 2017 (Year: 2017).\*

Luno. <https://iamluno.com/product/kc27-record-console-new/>. "KC27 HIFI Record Console". Date unknown: Viewed Dec. 2019 (Year: 2019).\*

U.S. Appl. No. 29/654,936, dated Jun. 19, 2019, Notice of Allowance.

U.S. Appl. No. 29/656,479, dated Jun. 27, 2019, Notice of Allowance.

U.S. Appl. No. 29/654,930, filed Jun. 28, 2018, Davis.

U.S. Appl. No. 29/654,936, filed Jun. 28, 2018, Davis.

U.S. Appl. No. 29/654,952, filed Jun. 28, 2018, Davis.

U.S. Appl. No. 29/656,492, filed Jul. 12, 2018, Davis.

U.S. Appl. No. 29/656,489, filed Jul. 12, 2018, Davis.

U.S. Appl. No. 29/634,889, filed Jan. 25, 2018, Davis.

U.S. Appl. No. 29/677,722, filed Jan. 23, 2019, Davis.

U.S. Appl. No. 29/677,723, filed Jan. 23, 2019, Davis.

U.S. Appl. No. 29/677,724, filed Jan. 23, 2019, Davis.

U.S. Appl. No. 29/677,738, filed Jan. 23, 2019, Davis.

U.S. Appl. No. 29/677,755, filed Jan. 23, 2019, Davis.

U.S. Appl. No. 29/677,761, filed Jan. 23, 2019, Davis.

Czapla TV Stand for TVs up to 65"; <https://www.allmodern.com/furniture/pdp/mercury-row-czapla-tv-stand-for-tvs-up-to-65-a000303456.html>; Retrieved on May 7, 2019.

Nelson Media Cabinet; <https://www.franceandson.com/collections/storage-shelving-media-cabinets/products/nelson-media-cabinet36051>; Retrieved on May 7, 2019.

Hal TV Stand for TVs up to 60"; <https://www.allmodern.com/furniture/pdp/hal-tv-stand-for-tvs-up-to-60-a000176456.html>; Retrieved on May 7, 2019.

Wigington TV Stand for TVs up to 60"; <https://www.allmodern.com/furniture/pdp/wigington-tv-stand-for-tvs-up-to-60-golv3670.html?piid>; Retrieved on May 7, 2019.

Cliffmay Slat Media Stand Light Oak Brown—Project 62; [https://www.target.com/p/cliffmay-slat-media-stand-light-oak-brown-project-62-153/-/A-53517373?ref=tgt\\_adv\\_XS000000&AFID=google\\_pla\\_df&fndsrc=tgtao&CPNG=PLA\\_Furniture%2BShopping\\_Priority%2BBrands&adgroup=SC\\_Project+62&LID=700000001170770pgs&network=g&device=c&location=9029756&gclid=aw.ds&ds\\_rl=1246978&ds\\_rl=1247068&ds\\_rl=1246978&ref=tgt\\_adv\\_XS000000&AFID=google\\_pla\\_df&CPNG=PLA\\_Furniture+Shopping\\_Priority+Brands&adgroup=SC\\_Project%2062&LID=700000001170770pgs&network=g&device=c&location=9029756&gclid=EAIaIQobChMI7Nb9wo-H3wIVBylpCh1fSg4IEAQYBSABEgK\\_yPD\\_BwE&gclid=aw.ds](https://www.target.com/p/cliffmay-slat-media-stand-light-oak-brown-project-62-153/-/A-53517373?ref=tgt_adv_XS000000&AFID=google_pla_df&fndsrc=tgtao&CPNG=PLA_Furniture%2BShopping_Priority%2BBrands&adgroup=SC_Project+62&LID=700000001170770pgs&network=g&device=c&location=9029756&gclid=aw.ds&ds_rl=1246978&ds_rl=1247068&ds_rl=1246978&ref=tgt_adv_XS000000&AFID=google_pla_df&CPNG=PLA_Furniture+Shopping_Priority+Brands&adgroup=SC_Project%2062&LID=700000001170770pgs&network=g&device=c&location=9029756&gclid=EAIaIQobChMI7Nb9wo-H3wIVBylpCh1fSg4IEAQYBSABEgK_yPD_BwE&gclid=aw.ds); Retrieved on May 7, 2019.

Audrey Woven Media Console 65"; <https://www.zinhome.com/audrey-woven-media-console-65/>; Retrieved on May 14, 2019.

Demilune Mesh Door Industrial Sideboard; [https://belleescape.com/demilune-mesh-wire-door-industrial-chic-sideboard.html?\\_SID=U](https://belleescape.com/demilune-mesh-wire-door-industrial-chic-sideboard.html?_SID=U); Retrieved on May 14, 2019.

Tuk Cabinet; <https://blackroosterdecor.com/collections/storage/products/tuk-cabinet>; Retrieved on May 14, 2019.

Rustic Style 31 Inches Metal TV Stand With Wire Mesh Doors Cabinet, Black; <https://casagear.com/products/rustic-style-31-inches-metal-tv-stand-with-wire-mesh-doors-cabinet-black>; May 14, 2019.

Geo-Marquetry Buffet; [https://www.anthropologie.com/shop/geo-marquetry-buffet?adpos=1o27&adtype=pla&cm\\_mmc=Google-US%20-%20Shopping%20-%20Furniture-Organizing%20and%20Storage-42699934&color=&countryCode=US&creative=191389729567&device=c&gclid=EAIaIQobChMIvuTGgYOH3wIVEdNkCh3t8wRPEAkYGYABEgJG\\_PD\\_BwE&inventoryCountry=US&matchtype=&mrkgadid=3202938336&mrkgclid=694&network=g&product\\_id=42699934](https://www.anthropologie.com/shop/geo-marquetry-buffet?adpos=1o27&adtype=pla&cm_mmc=Google-US%20-%20Shopping%20-%20Furniture-Organizing%20and%20Storage-42699934&color=&countryCode=US&creative=191389729567&device=c&gclid=EAIaIQobChMIvuTGgYOH3wIVEdNkCh3t8wRPEAkYGYABEgJG_PD_BwE&inventoryCountry=US&matchtype=&mrkgadid=3202938336&mrkgclid=694&network=g&product_id=42699934)

&quantity=1&size=ALL&type=STANDARD&utm\_campaign=US%20-%20Shopping%20-%20Furniture&utm\_content=42699934&utm\_medium=paid\_search&utm\_source=Google&utm\_term=Organizing%20and%20Storage; Retrieved on May 14, 2019.

Suspend II Media Console; <https://www.cb2.com/suspend-ii-media-console/s523915>; Retrieved on May 14, 2019.

Hooker Furniture Melange Mirrored Angle Console; [https://www.furniturecrate.com/hooker-melange-mirrored-angle-console.html?gdftrk=gdfV21650\\_a\\_7c92\\_a\\_7c8357\\_a\\_7c654170&gclid=CjwKEAiA05unBRCymrGilanF9SwSJACqDFRm1WwgePUSp65sXRCI4RkJfScYn--yCjNuB-GTt3W-FxoCQL7w\\_wcB](https://www.furniturecrate.com/hooker-melange-mirrored-angle-console.html?gdftrk=gdfV21650_a_7c92_a_7c8357_a_7c654170&gclid=CjwKEAiA05unBRCymrGilanF9SwSJACqDFRm1WwgePUSp65sXRCI4RkJfScYn--yCjNuB-GTt3W-FxoCQL7w_wcB); Retrieved on May 14, 2019.

FurnitureMaxx Besteen Contemporary Wood Dark Gray Dining Room Server; [https://www.amazon.com/dp/B07GVS1VK2/ref=cm\\_sw\\_r\\_pi\\_dp\\_U\\_x\\_evuOBbFM3298G](https://www.amazon.com/dp/B07GVS1VK2/ref=cm_sw_r_pi_dp_U_x_evuOBbFM3298G); Retrieved on May 14, 2019.

Jaydyn Media TV Stand/Credenza; [https://www.macys.com/shop/product/jaydyn-media-tv-stand-credenza?ID=2883210&CategoryID=35319#fn=FURNITURE\\_CATEGORY=Buffet%20&20Sideboards&SIZE=&sp=3&spc=131&ruleId=129%7CBOOST%20ATTRIBUTE%7CBOOST%20SAVED%20SET&searchPass=matchNone&slotId=2](https://www.macys.com/shop/product/jaydyn-media-tv-stand-credenza?ID=2883210&CategoryID=35319#fn=FURNITURE_CATEGORY=Buffet%20&20Sideboards&SIZE=&sp=3&spc=131&ruleId=129%7CBOOST%20ATTRIBUTE%7CBOOST%20SAVED%20SET&searchPass=matchNone&slotId=2); Retrieved on May 14, 2019.

Sideboard; <https://www.allmodern.com/furniture/pdp/sideboard-sct11710.html>; Retrieved on May 14, 2019.

Belham Living Trenton Industrial End Table; [https://www.hayneedle.com/product/belham-living-trenton-industrial-end-table-new.cfm?source=pla&kwid=OccasionalTables%20iprefer&tid=REDU113-1&adtype=pla&kw=&gclid=EAIaIQobChMIvOu-6veI3wIVB8ZkCh0ZdAf-EAkYAyABEgLyMfD\\_BwE](https://www.hayneedle.com/product/belham-living-trenton-industrial-end-table-new.cfm?source=pla&kwid=OccasionalTables%20iprefer&tid=REDU113-1&adtype=pla&kw=&gclid=EAIaIQobChMIvOu-6veI3wIVB8ZkCh0ZdAf-EAkYAyABEgLyMfD_BwE); Retrieved on May 15, 2019.

Belham Living Hampton Chair Side Table—Black; <https://www.hayneedle.com/product/belham-living-hampton-chair-side-table-black.cfm>; Retrieved on May 15, 2019.

International Concepts Hampton End Table; [https://www.hayneedle.com/product/internationalconceptshamptonendtable.cfm?source=pla&kwid=OccasionalTables%20level05&tid=WWI545-1&adtype=pla&kw=&gclid=EAIaIQobChMIpsnoq\\_mI3wIVGNVCh348gtdEAKYiABEgLP7fD\\_BwE](https://www.hayneedle.com/product/internationalconceptshamptonendtable.cfm?source=pla&kwid=OccasionalTables%20level05&tid=WWI545-1&adtype=pla&kw=&gclid=EAIaIQobChMIpsnoq_mI3wIVGNVCh348gtdEAKYiABEgLP7fD_BwE); Retrieved on May 15, 2019.

Hampton Weathered Taupe Gray Coffee Table; [https://www.homedepot.com/p/International-Concepts-Hampton-Weathered-Taupe-Gray-Coffee-Table-OT09-70C/302946359?MERCH=REC-PIPHorizontal2\\_rr\\_-204737265\\_-302946359\\_-N](https://www.homedepot.com/p/International-Concepts-Hampton-Weathered-Taupe-Gray-Coffee-Table-OT09-70C/302946359?MERCH=REC-PIPHorizontal2_rr_-204737265_-302946359_-N); Retrieved on May 15, 2019.

Convenience Concepts Oxford Rectangle Coffee Table; [https://www.hayneedle.com/product/convenience-concepts-oxford-rectangle-coffee-table.cfm?source=pla&kwid=OccasionalTables%20newkus&tid=CONV338-5&adtype=pla&kw=&gclid=EAIaIQobChMIhuzv9\\_mI3wIVWx-tBh1rUAltEAKYHyABEgJ2hPD\\_BwE](https://www.hayneedle.com/product/convenience-concepts-oxford-rectangle-coffee-table.cfm?source=pla&kwid=OccasionalTables%20newkus&tid=CONV338-5&adtype=pla&kw=&gclid=EAIaIQobChMIhuzv9_mI3wIVWx-tBh1rUAltEAKYHyABEgJ2hPD_BwE); Retrieved on May 15, 2019.

Belham Living Jamestown Rustic Coffee Table with Unique Driftwood Finish; <https://www.hayneedle.com/product/jamestown-rustic-coffee-table.cfm>; Retrieved on May 15, 2019.

U.S. Appl. No. 29/611,962, filed Jul. 27, 2017, Davis.

U.S. Appl. No. 29/611,963, filed Jul. 27, 2017, Davis.

U.S. Appl. No. 29/634,946, filed Jan. 25, 2018, Davis.

U.S. Appl. No. 29/634,903, filed Jan. 25, 2018, Davis.

U.S. Appl. No. 29/654,941, filed Jun. 28, 2018, Davis.

U.S. Appl. No. 29/654,935, filed Jun. 28, 2018, Davis.

U.S. Appl. No. 29/656,499, filed Jul. 12, 2018, Davis.

U.S. Appl. No. 29/656,479, filed Jul. 12, 2018, Davis.

U.S. Appl. No. 29/656,485, filed Jul. 12, 2018, Davis.

U.S. Appl. No. 29/656,486, filed Jul. 12, 2018, Davis.

U.S. Appl. No. 29/656,497, filed Jul. 12, 2018, Davis.

Electric fireplace, image post date May 26, 2014, site visited Aug. 8, 2016, (online), <<https://www.tineye.com/search/3c3d0cbfb7030b3079ebefa0774a5b4e94120332/?pluginver>

Media Console with Electric Fireplace, image post date Dec. 6, 2015, site visited Aug. 8, 2016, (online), <<http://www.overstock.com/Home-Garden/Media-Console-with-Electric-Fireplace-in-Barnwood/10309735/product.html?recset=05953330-aaa1-4640-a796-f225c2f8176d&refccid=MRISGBB2MZGZXYKK4EFV125H6Q&recalg=809,828,512&recidx=1#reviews>

(56)

**References Cited**

## OTHER PUBLICATIONS

Tv Stand With Fireplace, image post date Sep. 12, 2015, site visited Aug. 8, 2016, (online), <<https://www.tineye.com/search/77be8934bf07249cbb245c8ea0f719199437b185/>>.

Walker Edison TV Stand with Fireplace Insert, image post date Jul. 31, 2015, site visited Aug. 8, 2016, (online), <<https://www.amazon.com/Walker-Edison-Fireplace-Insert-Espresso/dp/BOOPNONTAK>>.

Manchester Fireplace TV Console, image post date Dec. 17, 2015, site visited Aug. 8, 2016, (online), <<http://www.walmart.com/ip/Manchester-Media-Fireplace-Stand-for-TVs-up-to-70/46360223>>.

Monet Fireplace; Canadian Tire Company website: <http://www.canadiantire.ca/en/pdp/monet-fireplace-0643572p.html>; retrieved on Dec. 21, 2016.

TV and Media Consoles, image post date Sep. 21, 2013, site visited Oct. 26, 2016, (online), <<http://web.archive.org/web/20130921074219/http://www.lectricfireplacesdirect.com/Gallery/tv-and-media-consoles.html>>.

“Kendall Electric Media Fireplace—Espresso” Dec. 24, 2012, amazon.com, site visited Mar. 6, 2018 <[https://www.amazon.com/Kendall-Electric-Media-Fireplace-Espresso/dp/B009LIT6XQ/ref=cm\\_cr\\_ar\\_p\\_d\\_product\\_top?ie=UTF8](https://www.amazon.com/Kendall-Electric-Media-Fireplace-Espresso/dp/B009LIT6XQ/ref=cm_cr_ar_p_d_product_top?ie=UTF8)> (Year: 2012).

“Whalen Media Fireplace Console for TVs up to 70" Gray” Nov. 24, 2015, walmart.com, site visited Mar. 6, 2018 <<https://www.walmart.com/ip/Whalen-Media-Fireplace-Console-for-TVs-up-to-70-Gray/54189794>> (Year: 2015).

“Boston Loft Furnishings . . . ” Nov. 7, 2016, themine.com, site visited Mar. 2, 2018 <[https://www.themine.com/tv-stands/boston-loft-furnishings-reamrock-infrared-electric-fireplace-media-stand-with-convertible-corner\\_g2733659.html](https://www.themine.com/tv-stands/boston-loft-furnishings-reamrock-infrared-electric-fireplace-media-stand-with-convertible-corner_g2733659.html)> (Year: 2016).

“Ameriwood Home Everett 70-inch . . . ” Dec. 6, 2016, overstock.com, site visited Mar. 2, 2018 <<https://www.overstock.com/Home-Garden/Ameriwood-Home-Everett-70-inch-Sonoma-Oak-TV-Stand-with-Glass-Doors/12710691/product.html>> (Year: 2016).

Metal Coffee Table; <https://www.overstock.com/Home-Garden/42-Metal-Coffee-Table-42-x-24-x-18h/15951452/product.html> Retrieved on Nov. 13, 2018.

Modern Two-Tone Writing Desk; <https://www.overstock.com/Home-Garden/44-Modern-Two-Tone-Writing-Desk/19684325/product.html> Retrieved on Nov. 13, 2018.

Pinterest; [www.pinterest.com/pin/336328451393621/](http://www.pinterest.com/pin/336328451393621/); Retrieved on Jun. 12, 2019.

Target Winham TV Stand—Threshold; [www.target.com/p/windham-tv-stand-threshold-153/-/A-54301349](http://www.target.com/p/windham-tv-stand-threshold-153/-/A-54301349); Retrieved on Jun. 12, 2019.

Pinterest DIY Farmhouse Coffee Table Cabinet; [www.pinterest.com/pin/33636328450994833/](http://www.pinterest.com/pin/33636328450994833/); Retrieved on Jun. 12, 2019.

Image seen on Pinterest DIY Project; Pinterest.com; Seen approximately Aug. 1, 2017.

World Market—Metal Bexley Bar; [www.worldmarket.com/product/metal+bexley+bar.do?pp=1](http://www.worldmarket.com/product/metal+bexley+bar.do?pp=1); Retrieved on Sep. 25, 2019.

Overstock—Nova Domus Soria Modern Walnut TV Stand; [https://www.overstock.com/Home-Garden/Nova-Domus-Soria-Modern-Walnut-TV-Stand/10359356/product.html?utm\\_campaign=pin\\_button&utm\\_medium=Social&utm\\_source=Pinterest](https://www.overstock.com/Home-Garden/Nova-Domus-Soria-Modern-Walnut-TV-Stand/10359356/product.html?utm_campaign=pin_button&utm_medium=Social&utm_source=Pinterest); Retrieved on Jun. 12, 2019.

Office Action for U.S. Appl. No. 29/656,489, dated Sep. 25, 2019.

Office Action for U.S. Appl. No. 29/656,497, dated Sep. 25, 2019.

Office Action for U.S. Appl. No. 29/656,499, dated Sep. 26, 2019.

Notice of Allowance for U.S. Appl. No. 29/656,486, dated Sep. 27, 2019.

Notice of Allowance for U.S. Appl. No. 29/656,485, dated Oct. 2, 2019.

Notice of Allowance for U.S. Appl. No. 29/656,479, dated Oct. 21, 2019.

“Seren TV Stand for TVs up to 50 inches” Wayfair. (Accessed Nov. 14, 2019).

U.S. Appl. No. 29/654,952, dated Nov. 15, 2019, Office Action.

U.S. Appl. No. 29/656,492, dated Nov. 18, 2019, Notice of Allowance.

U.S. Appl. No. 29/634,946, dated Dec. 12, 2019, Office Action.

U.S. Appl. No. 29/656,485, dated Dec. 18, 2019, Notice of Allowance.

U.S. Appl. No. 29/656,499, dated Jan. 23, 2020, Notice of Allowance.

U.S. Appl. No. 29/656,497, dated Jan. 23, 2020, Notice of Allowance.

U.S. Appl. No. 29/656,489, dated Jan. 24, 2020, Notice of Allowance.

\* cited by examiner

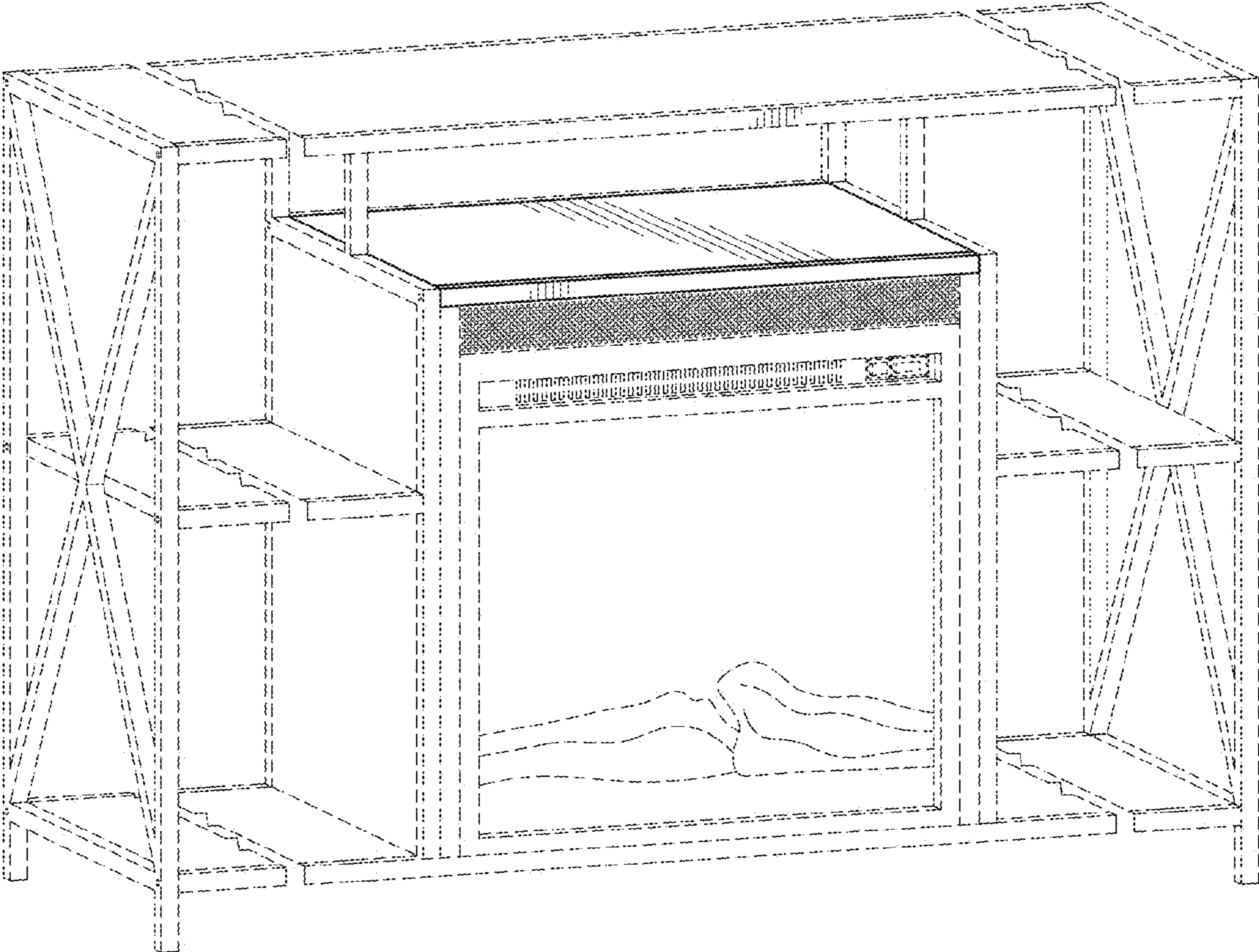


FIG. 1

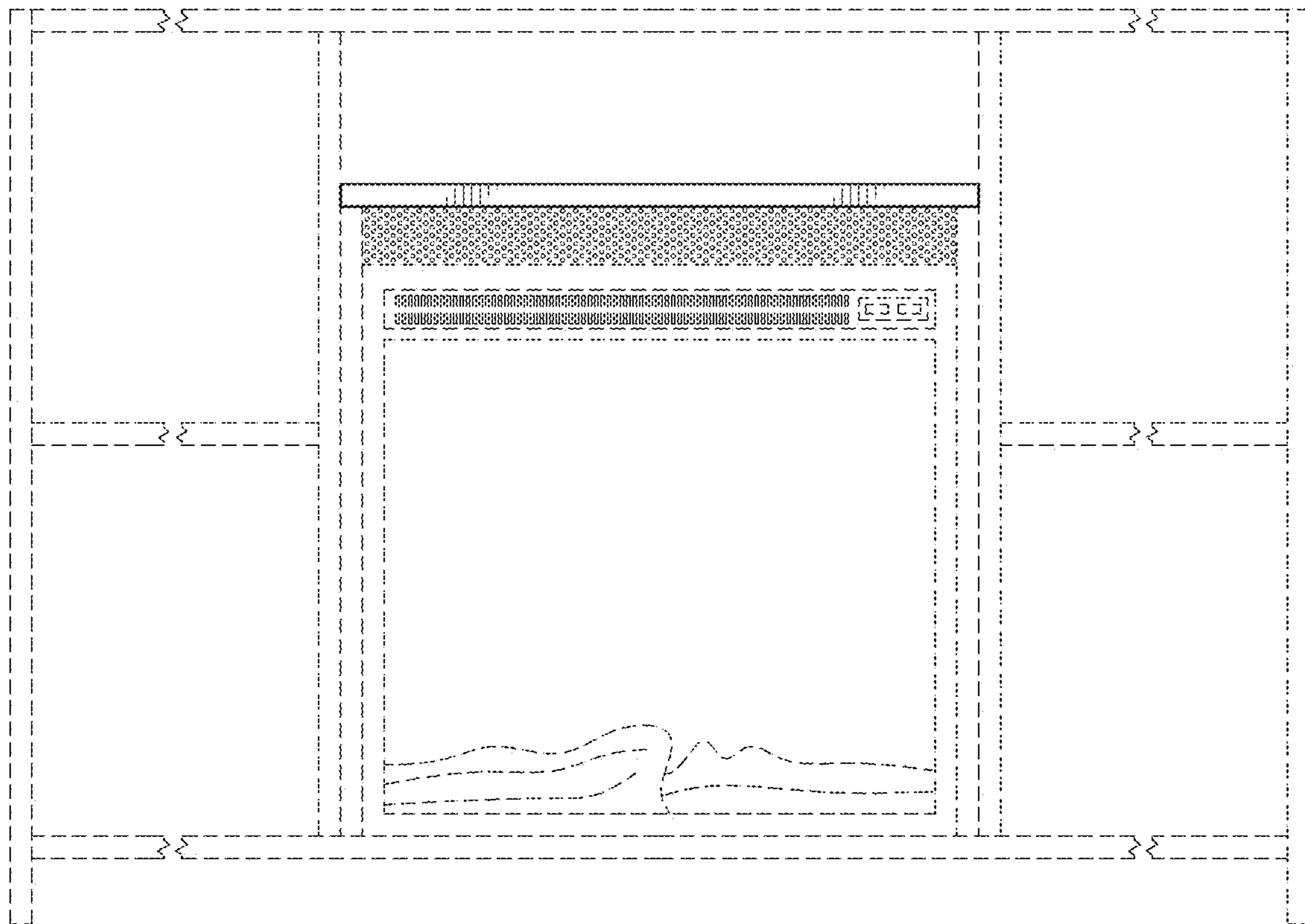


FIG. 2

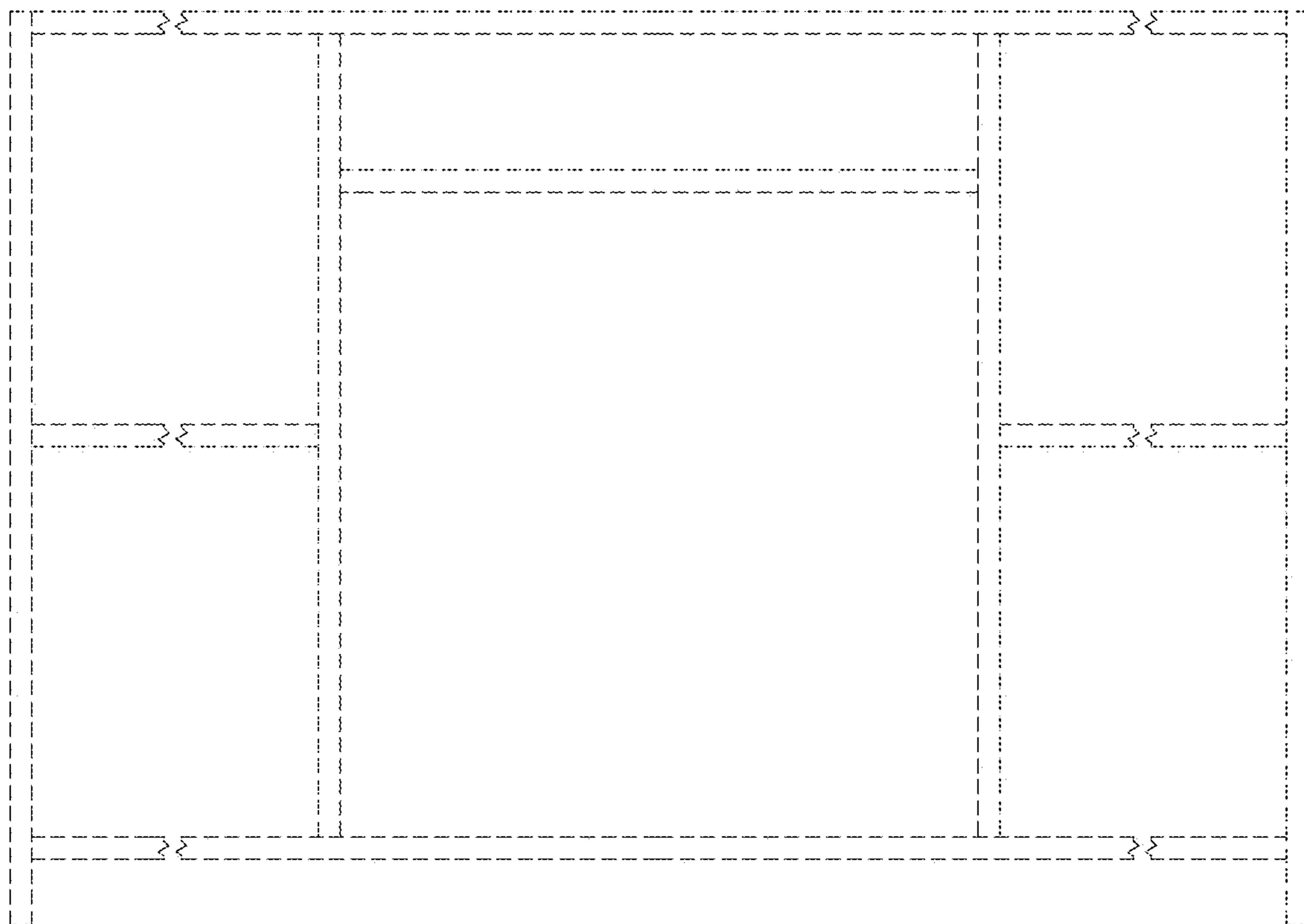


FIG. 3



FIG. 4

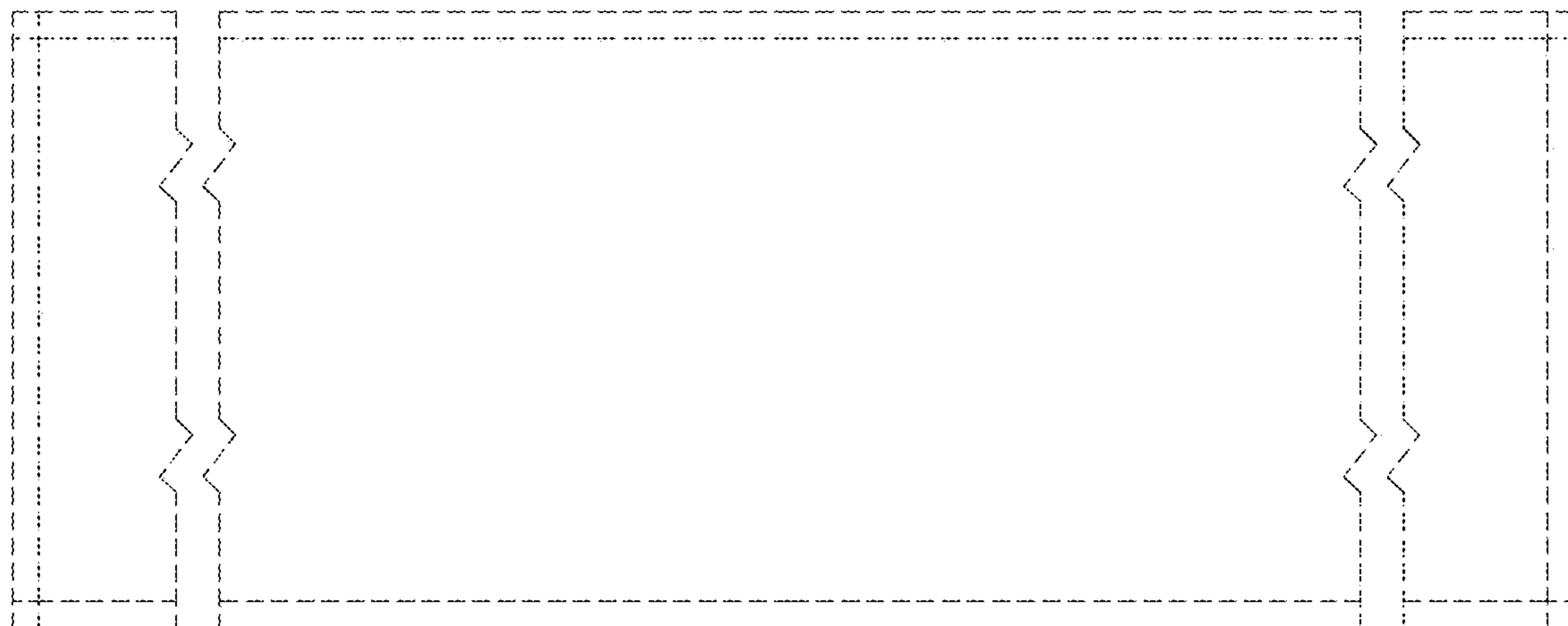


FIG. 5



FIG. 6

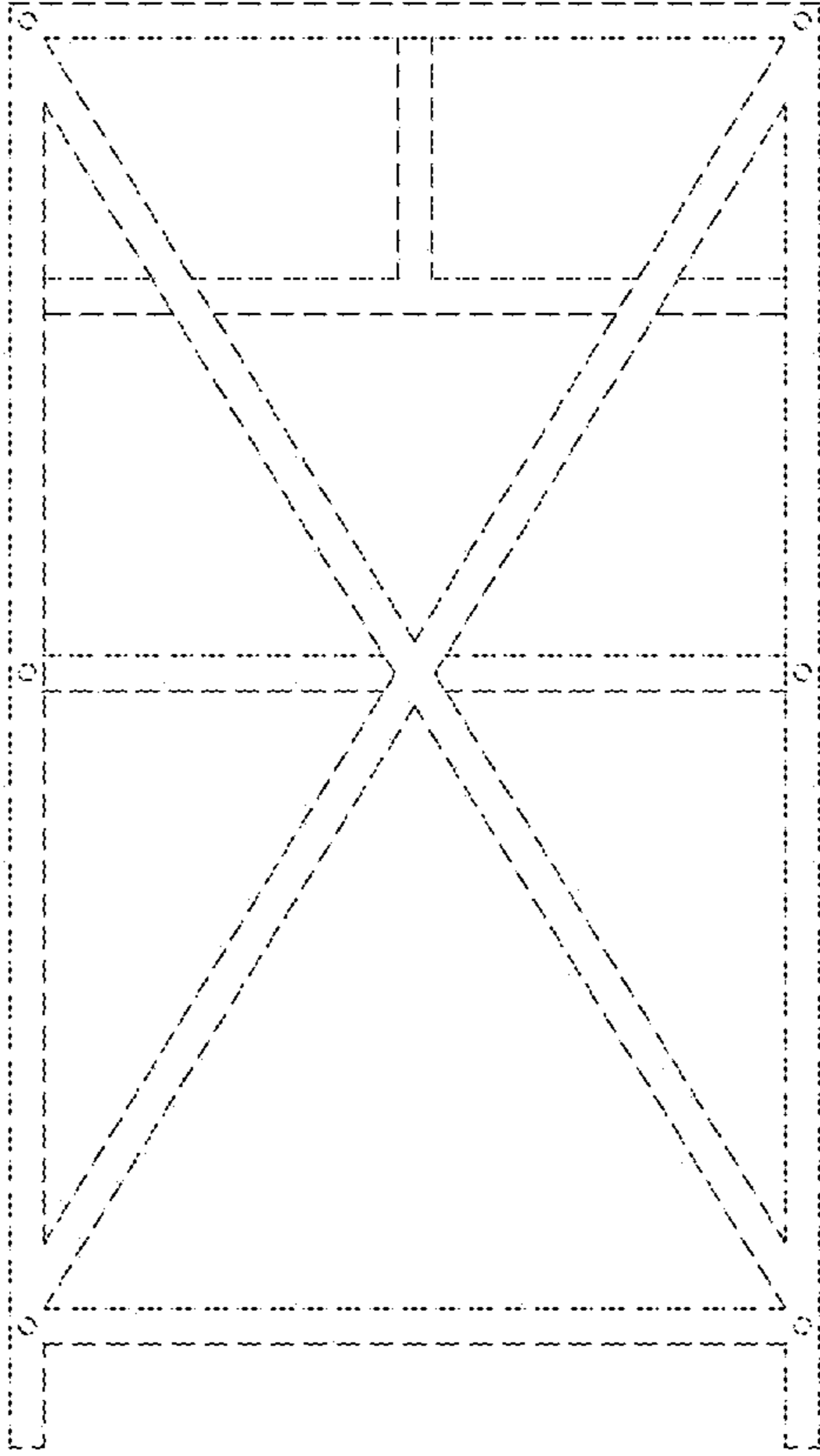


FIG. 7

