



US00D878818S

(12) **United States Design Patent** (10) **Patent No.:** **US D878,818 S**  
**Dyson et al.** (45) **Date of Patent:** **\*\* Mar. 24, 2020**

(54) **STORAGE FURNITURE**

(71) Applicant: **Dyson Technology Limited**, Wiltshire (GB)  
 (72) Inventors: **James Dyson**, Bristol (GB); **Alexander Stuart Knox**, Swindon (GB); **Alexander Patrick Webster**, Bristol (GB); **Charles Franklin Gale**, Bristol (GB); **Michael Laurence Carmine Rapicano**, Bristol (GB); **Nathan Geoffrey Dobbs**, Bristol (GB); **Timothy Ewan Ross Wordie**, Bristol (GB)

(73) Assignee: **Dyson Technology Limited**, Malmesbury, Wiltshire (GB)

(\*\*) Term: **15 Years**

(21) Appl. No.: **29/660,243**

(22) Filed: **Aug. 20, 2018**

(30) **Foreign Application Priority Data**

Feb. 20, 2018 (EM) ..... 004716975-0001

(51) **LOC (12) Cl.** ..... **06-04**

(52) **U.S. Cl.**  
USPC ..... **D6/657**

(58) **Field of Classification Search**  
 USPC ..... D6/512, 553, 559, 657, 659, 660, 661, D6/662, 663, 667, 669, 671, 671.1, 672, D6/673, 675, 682, 682.3, 683.1, 694; D13/108; D32/31  
 CPC ..... A47B 46/00; A47B 47/00; A47B 47/02; A47B 47/021; A47B 47/022; A47B 47/04; A47B 55/00; A47B 67/00; A47B 67/02; A47B 67/04; A47B 83/04; A47B 7/00; A47B 81/00; A47B 81/007; A47B 81/02; A47F 3/00; A47F 3/005

See application file for complete search history.

(56) **References Cited**

U.S. PATENT DOCUMENTS

D289,631 S \* 5/1987 Osit ..... D13/108  
 D300,214 S \* 3/1989 Adams ..... D13/108  
 D435,067 S \* 12/2000 Shih ..... D20/10  
 D463,079 S \* 9/2002 Leyden ..... D32/31

(Continued)

FOREIGN PATENT DOCUMENTS

FR 2425227 A1 \* 12/1979 ..... A47L 9/0036  
 JP 2018143444 A \* 9/2018

(Continued)

OTHER PUBLICATIONS

Dyson. <https://www.dyson.com/support/journey/tools/969944-04.html>. "Dyson V11™ Floor dok". Date unknown: Viewed Sep. 2019 (Year: 2019).\*

*Primary Examiner* — R. Johnson

(74) *Attorney, Agent, or Firm* — Morrison & Foerster LLP

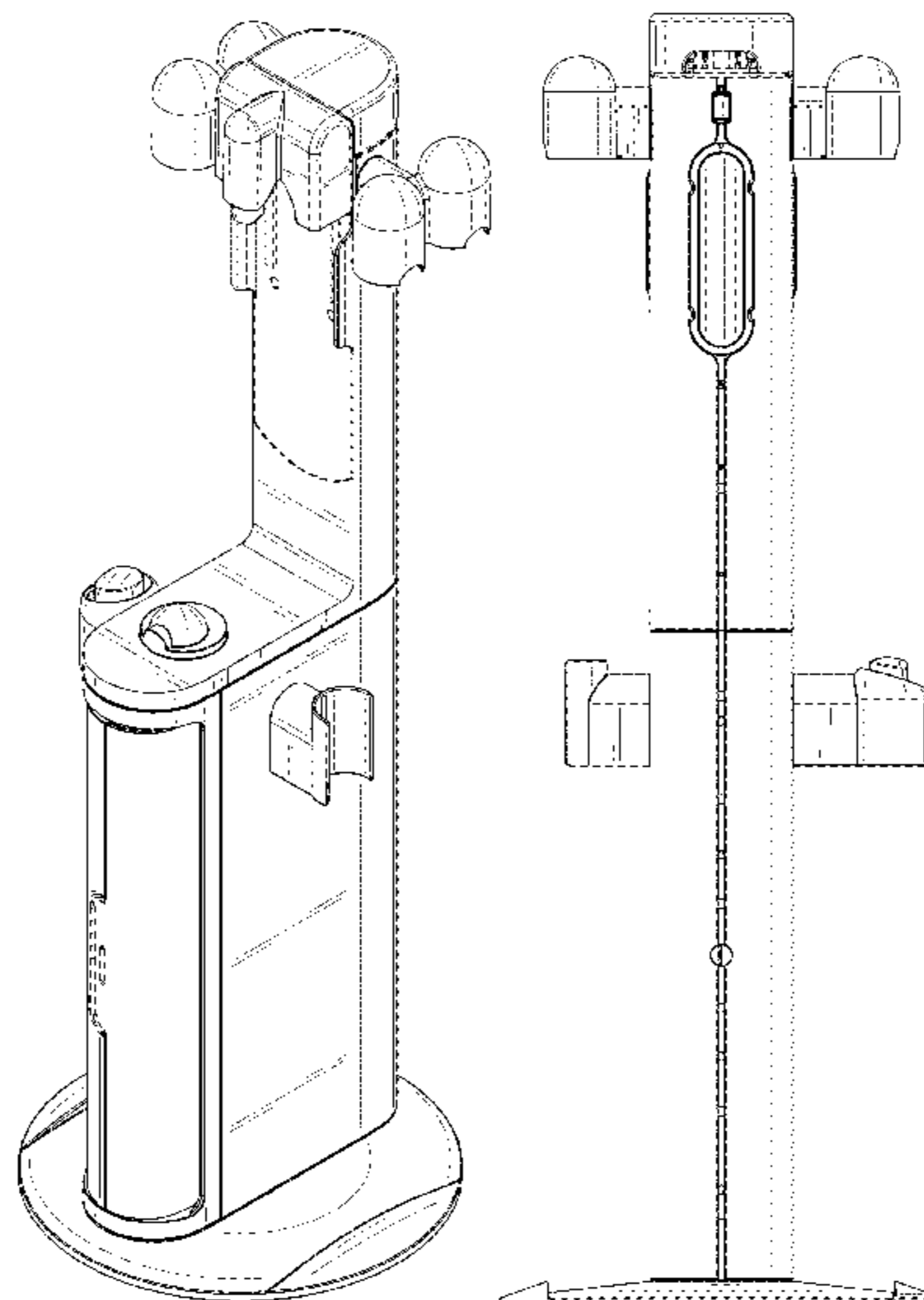
(57) **CLAIM**

We claim the ornamental design for a storage furniture, as shown and described.

**DESCRIPTION**

FIG. 1 is a perspective view of a storage furniture showing our new design;  
 FIG. 2 is a front view thereof;  
 FIG. 3 is a rear view thereof;  
 FIG. 4 is a side view thereof;  
 FIG. 5 is a side view of the opposite side of FIG. 4;  
 FIG. 6 is a top view thereof; and,  
 FIG. 7 is a bottom view thereof.  
 The broken lines shown in the drawings illustrate portions of a storage furniture that form no part of the claimed design.

**1 Claim, 7 Drawing Sheets**



(56)

**References Cited**

U.S. PATENT DOCUMENTS

D559,484 S \* 1/2008 Fjellman ..... D13/108  
D640,194 S \* 6/2011 Kim ..... D13/108  
D796,436 S \* 9/2017 Rivera ..... D13/108  
D839,823 S \* 2/2019 Lemelson ..... D13/103  
D846,297 S \* 4/2019 Chen ..... D6/512  
D852,560 S \* 7/2019 Cochrane ..... D6/682.3  
2005/0011037 A1\* 1/2005 Zhao ..... A47L 9/009  
15/323  
2014/0130293 A1\* 5/2014 Lee ..... A47L 5/225  
15/347  
2016/0037912 A1\* 2/2016 Jose ..... A47B 51/00  
312/247

FOREIGN PATENT DOCUMENTS

WO WO-2017196004 A1 \* 11/2017 ..... A47L 9/28  
WO WO-2019035592 A1 \* 2/2019

\* cited by examiner

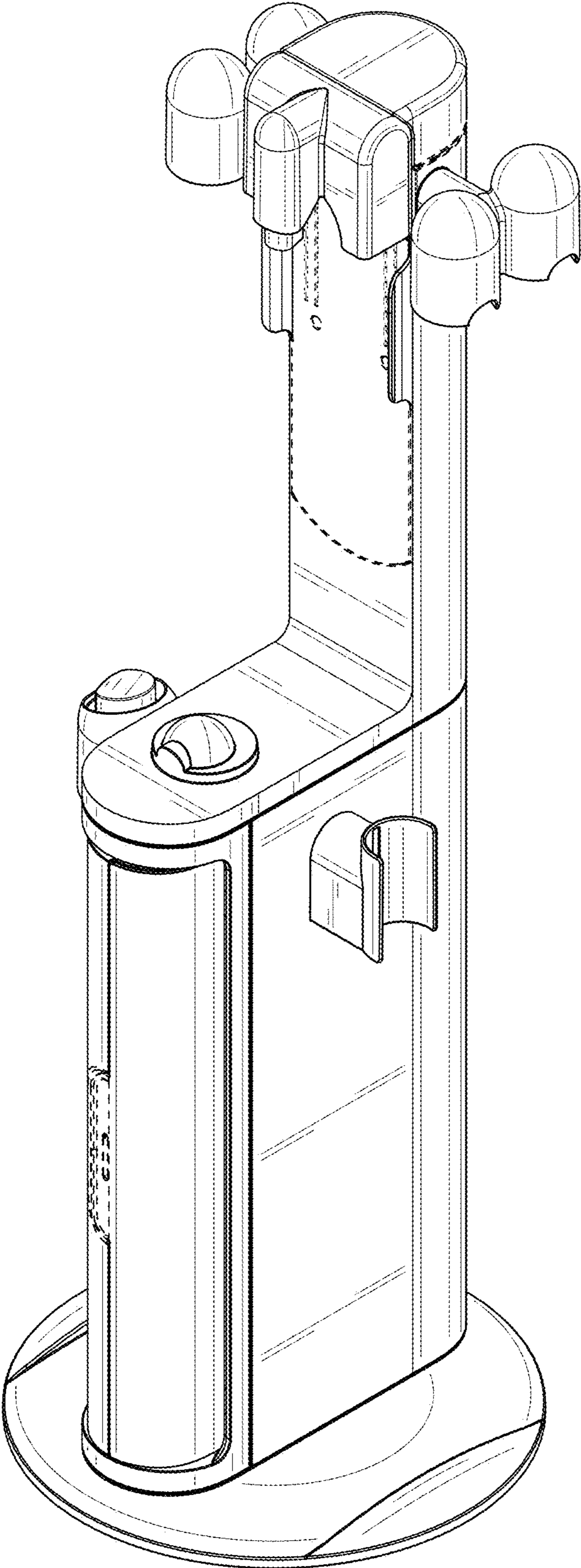


FIG. 1

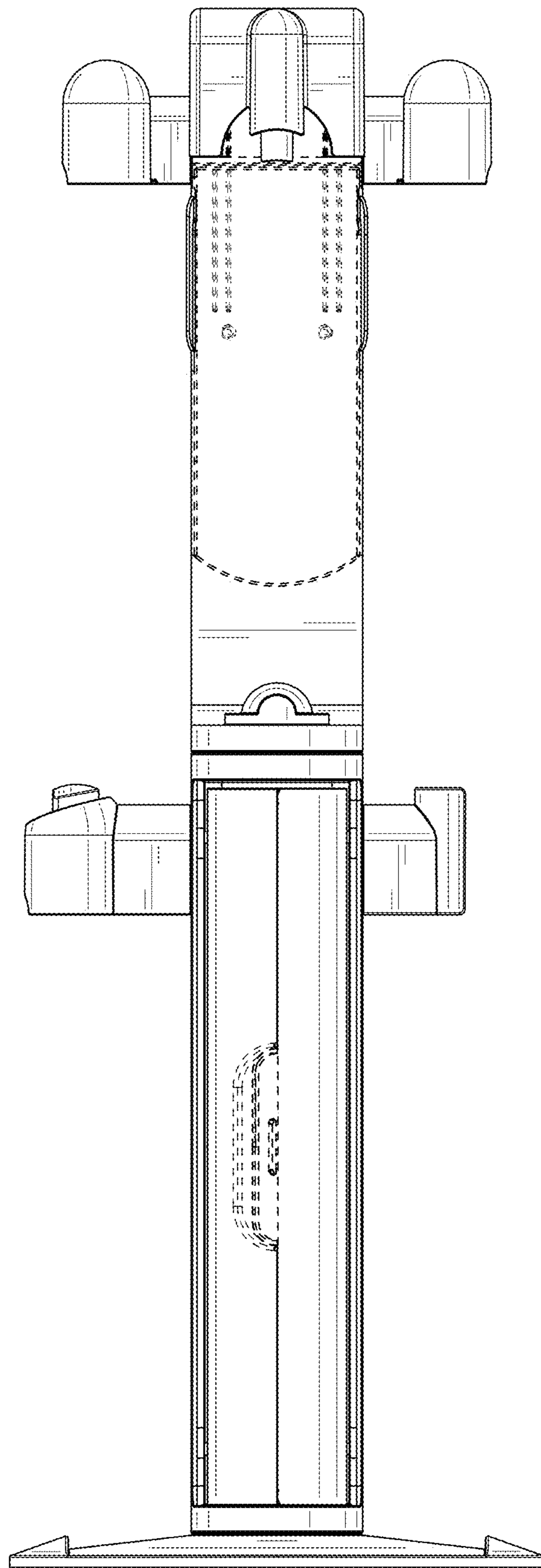


FIG. 2

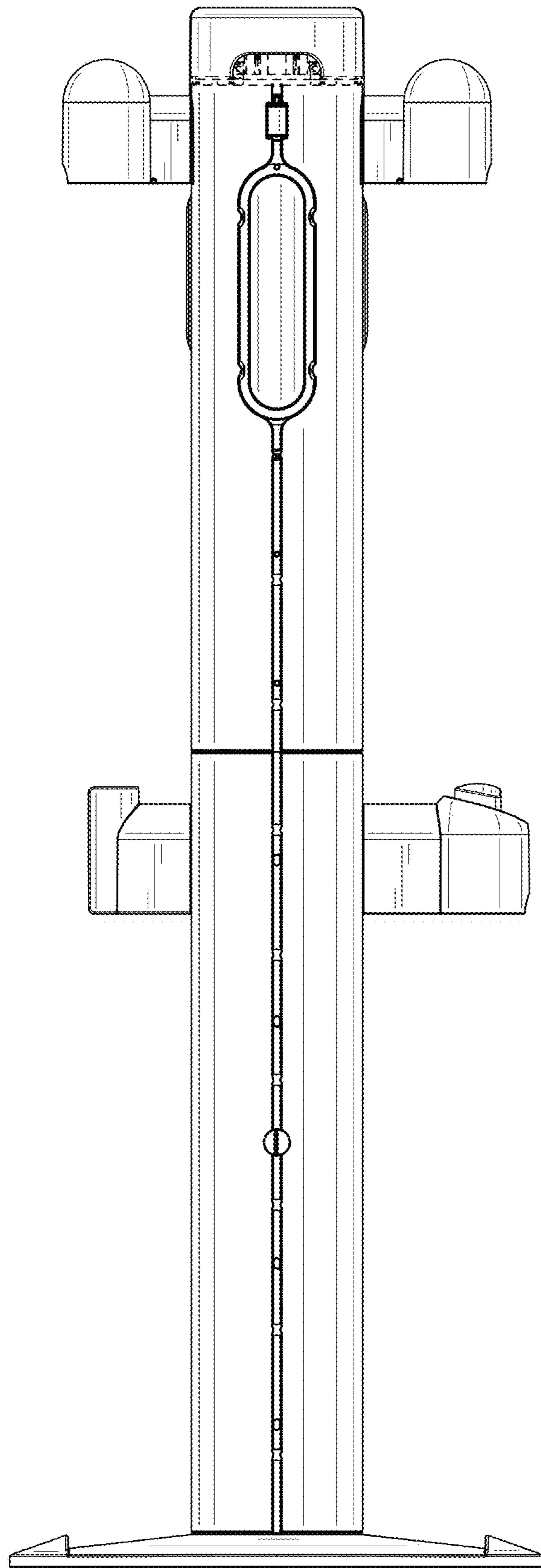


FIG. 3

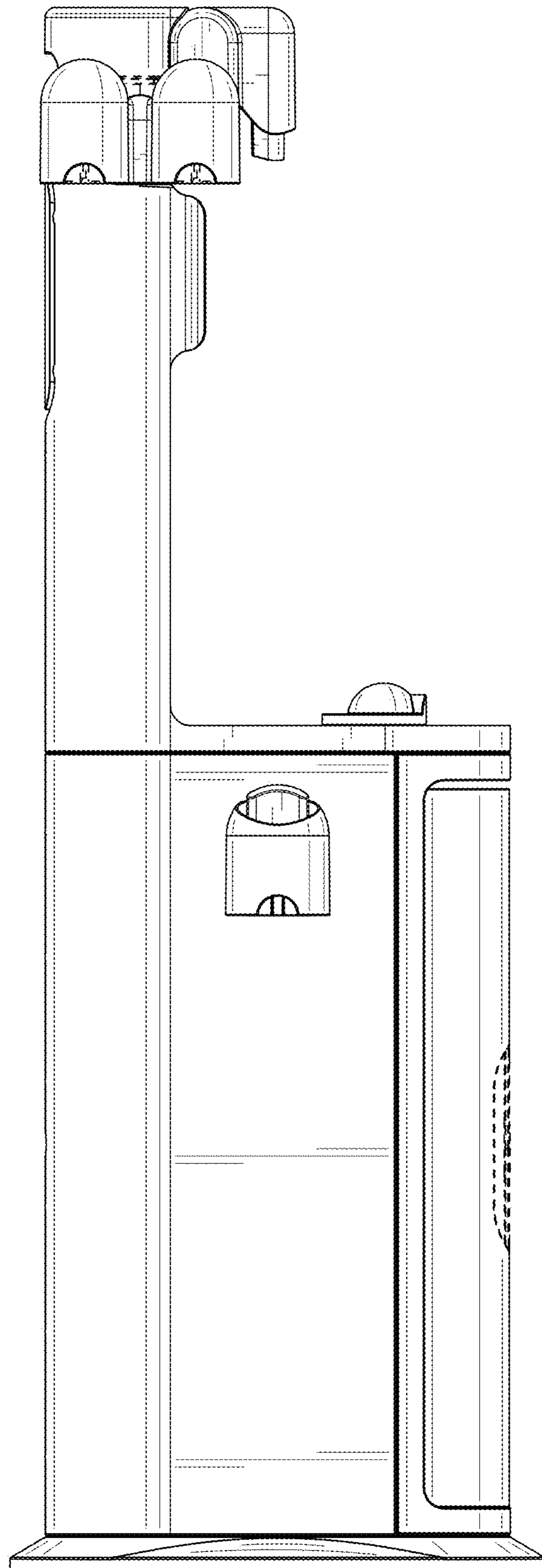


FIG. 4

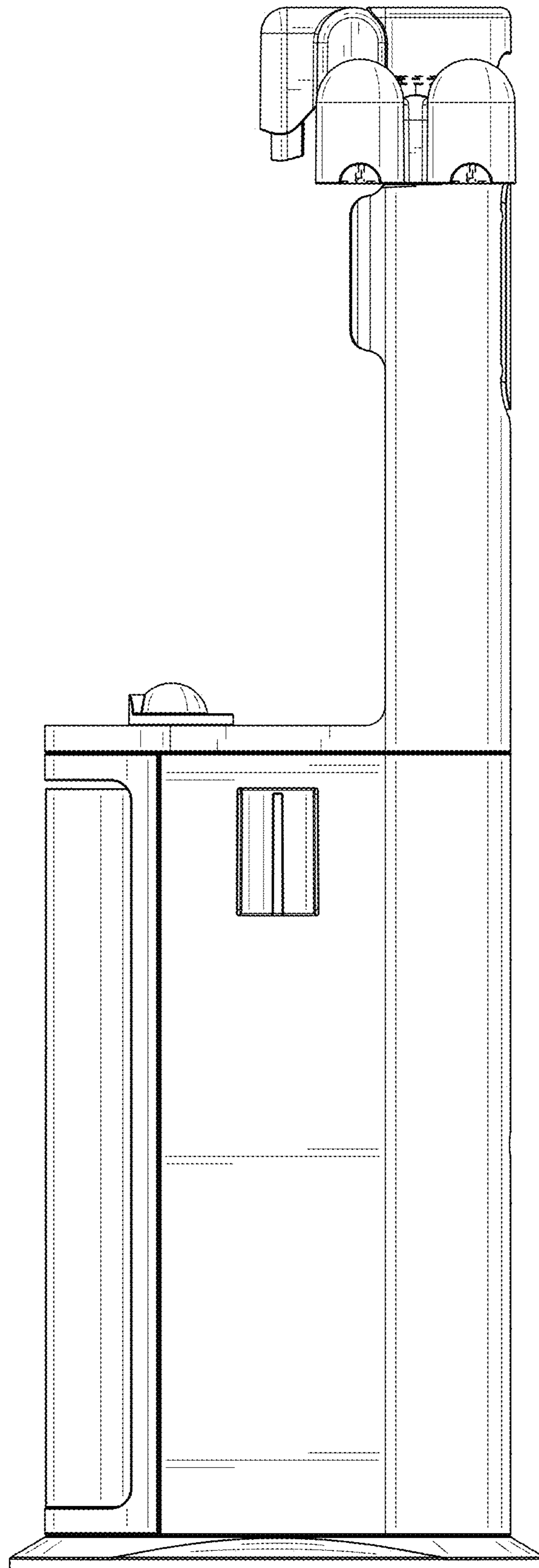


FIG. 5

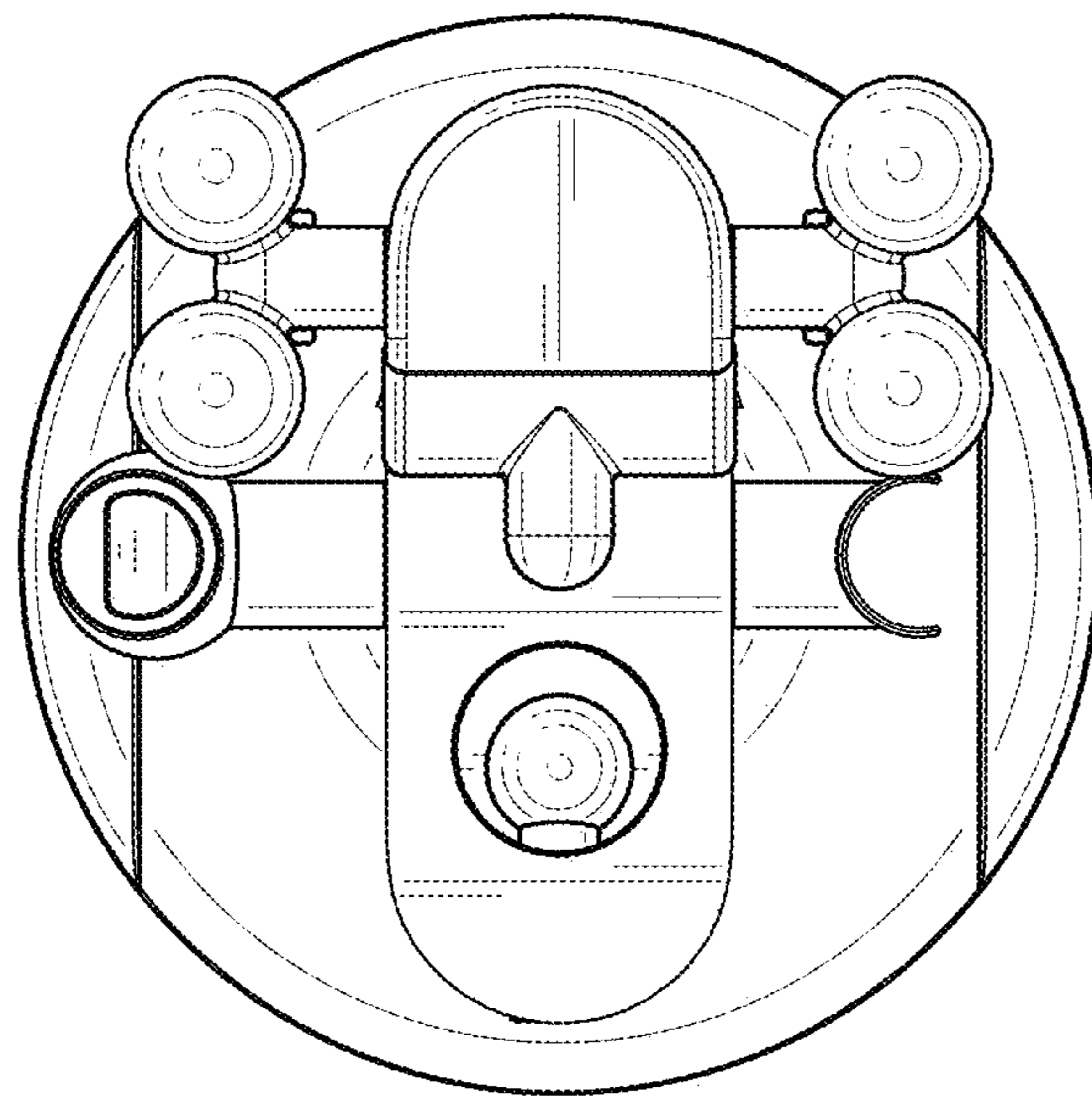


FIG. 6



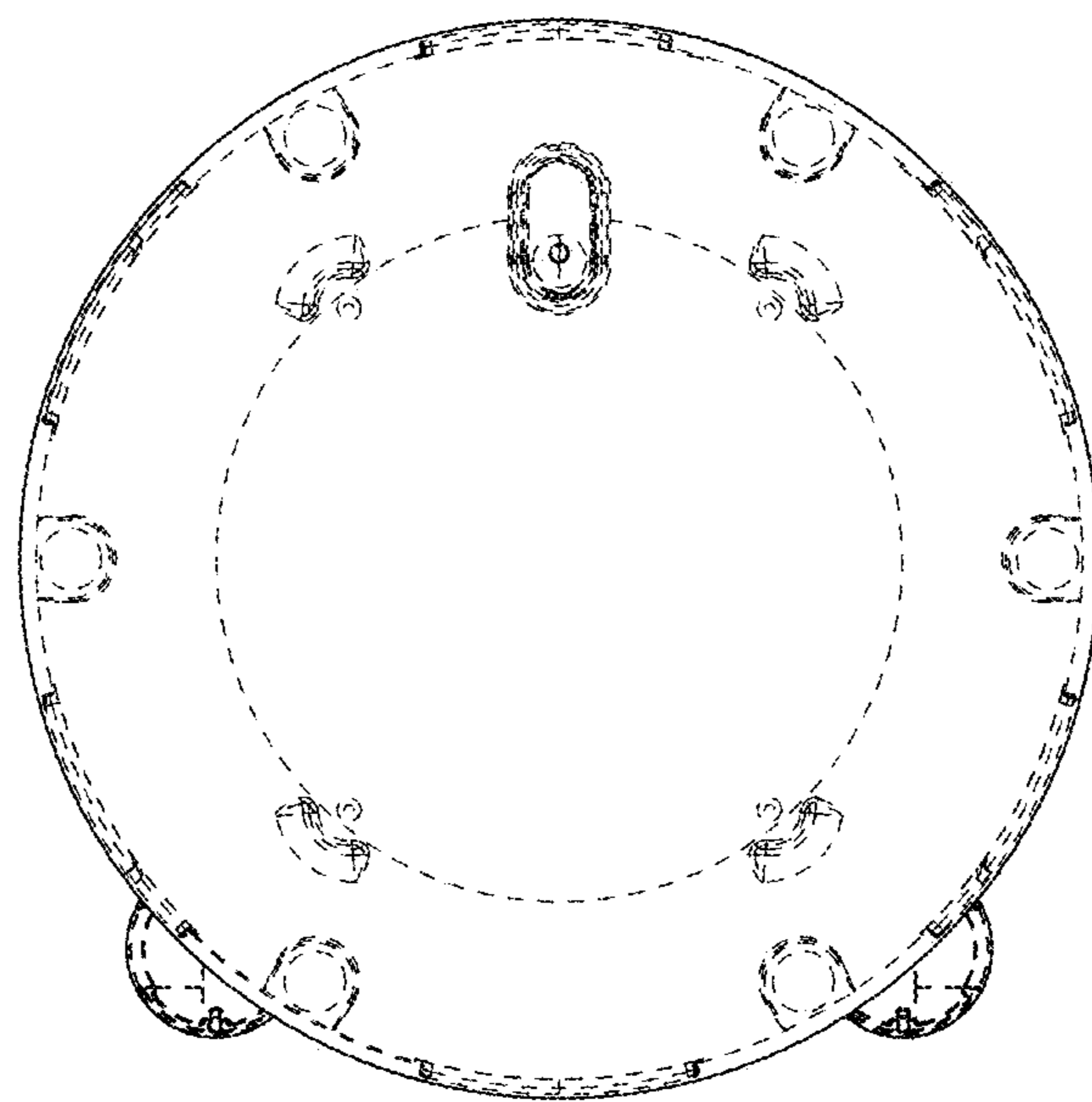


FIG. 7