



US00D878814S

(12) **United States Design Patent**
Peng

(10) **Patent No.:** **US D878,814 S**
(45) **Date of Patent:** **** Mar. 24, 2020**

- (54) **GAMING TABLE**
- (71) Applicant: **Wudi Industrial (Shanghai) Co., Ltd.,**
Shanghai (CN)
- (72) Inventor: **Wu Peng,** Shanghai (CN)
- (**) Term: **15 Years**
- (21) Appl. No.: **29/708,728**
- (22) Filed: **Oct. 9, 2019**
- (51) **LOC (12) Cl.** **06-03**
- (52) **U.S. Cl.**
USPC **D6/656**
- (58) **Field of Classification Search**
USPC D6/641-644, 656, 656.1, 656.12, 656.13,
D6/691, 694
CPC .. A47B 7/00; A47B 9/00; A47B 13/00; A47B
13/02; A47B 13/04; A47B 13/06; A47B
13/08; A47B 17/00; A47B 19/00; A47B
21/00; A47B 2200/0001; A47B
2200/0011; A47B 2200/002
See application file for complete search history.

D783,317 S * 4/2017 Labrosse D6/656.17
D806,446 S * 1/2018 Benden A47C 9/06
D6/656
D861,383 S * 10/2019 Hu D6/656.17

OTHER PUBLICATIONS

Gaming Desk Gamers Computer Table—Ebay <https://www.ebay.com/itm/274020937508> retrieved from the internet on Jan. 14, 2020.*
Akracing Gaming Desk Red—Akracing <https://www.akracing.com/product/akracing-gaming-desk-red/> retrieved from the internet on Jan. 14, 2020.*

* cited by examiner

Primary Examiner — Mary Ann Calabrese
(74) *Attorney, Agent, or Firm* — Wayne V. Harper

(57) **CLAIM**

I claim the ornamental design for a gaming table, as shown and described.

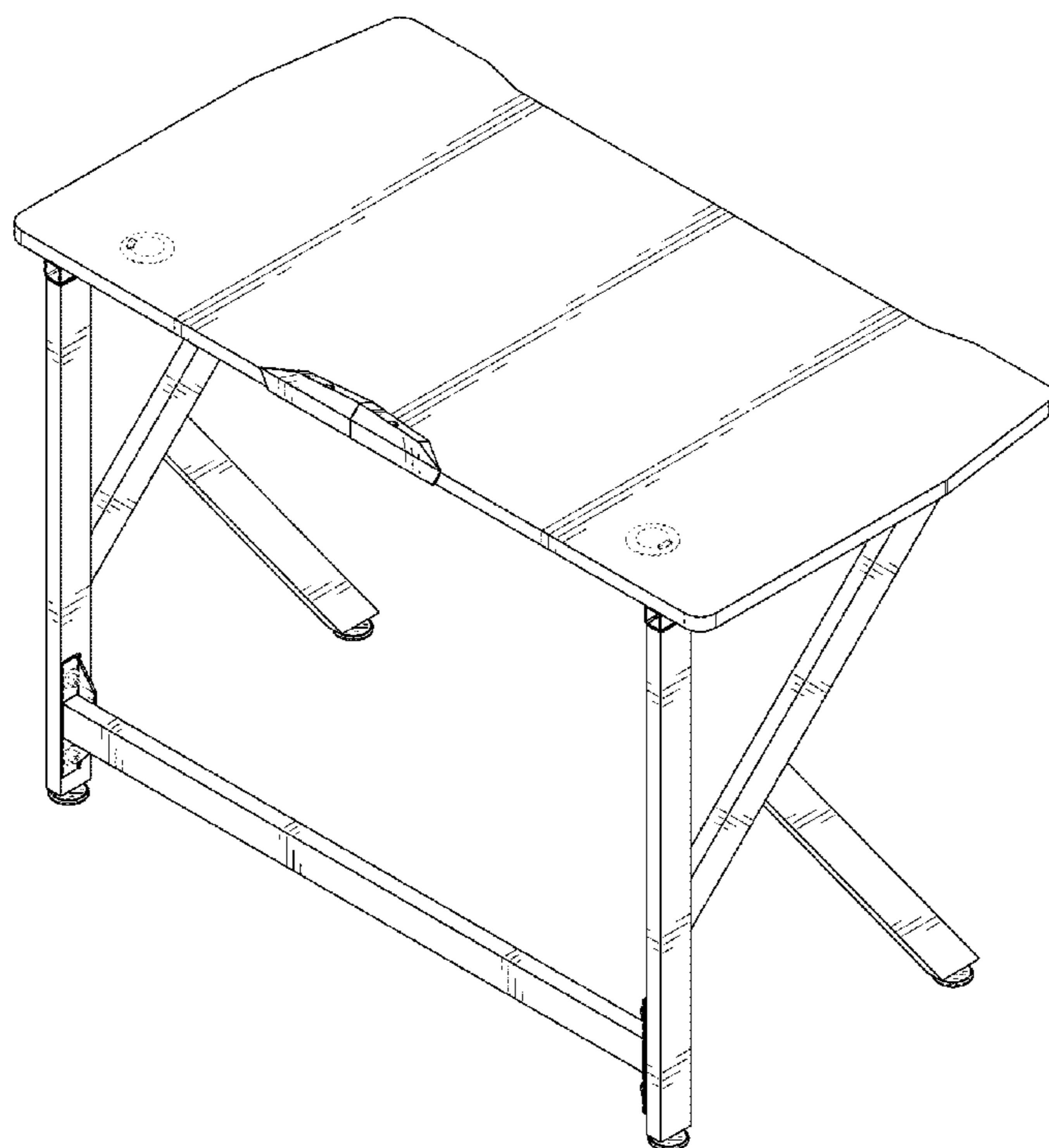
DESCRIPTION

FIG. 1 is a Perspective view of a gaming table showing my new design;
FIG. 2 is a Front view thereof;
FIG. 3 is a Back view thereof;
FIG. 4 is a Right-side view thereof;
FIG. 5 is a left-side view thereof;
FIG. 6 is a Top view thereof; and,
FIG. 7 is a Bottom view thereof.
The broken lines in the drawings illustrate features of the gaming table that form no part of the claimed design.

1 Claim, 7 Drawing Sheets

(56) **References Cited**
U.S. PATENT DOCUMENTS

- D336,394 S * 6/1993 Ball D6/656.13
- D523,490 S 6/2006 Voden
- D574,635 S * 8/2008 Eustace D6/694
- D671,339 S * 11/2012 Nakamura D6/691
- 8,826,829 B2 * 9/2014 Taylor A47C 9/06
108/34
- D749,878 S * 2/2016 Domingo D6/656.13
- D757,858 S 5/2016 Guridi et al.



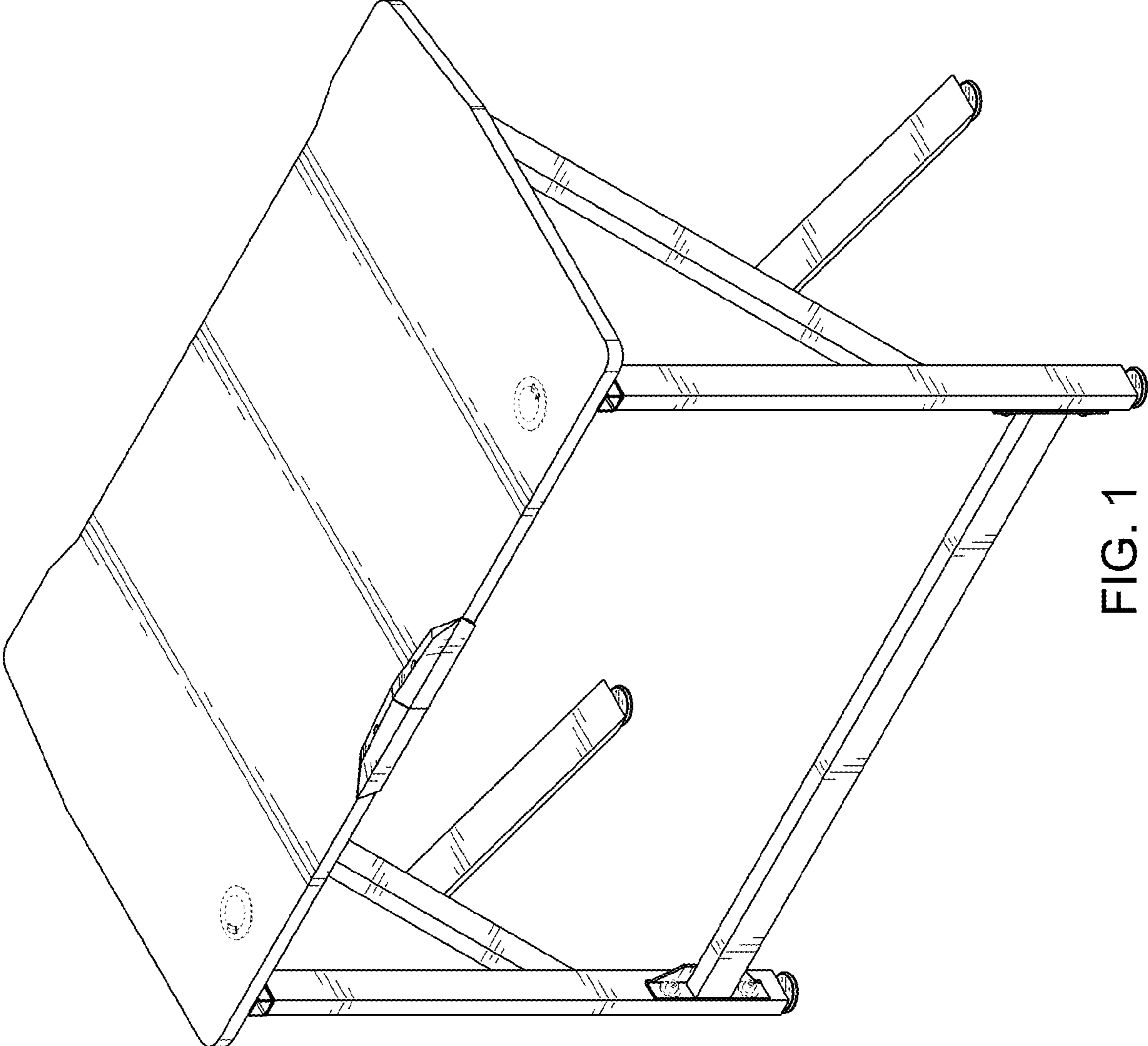


FIG. 1

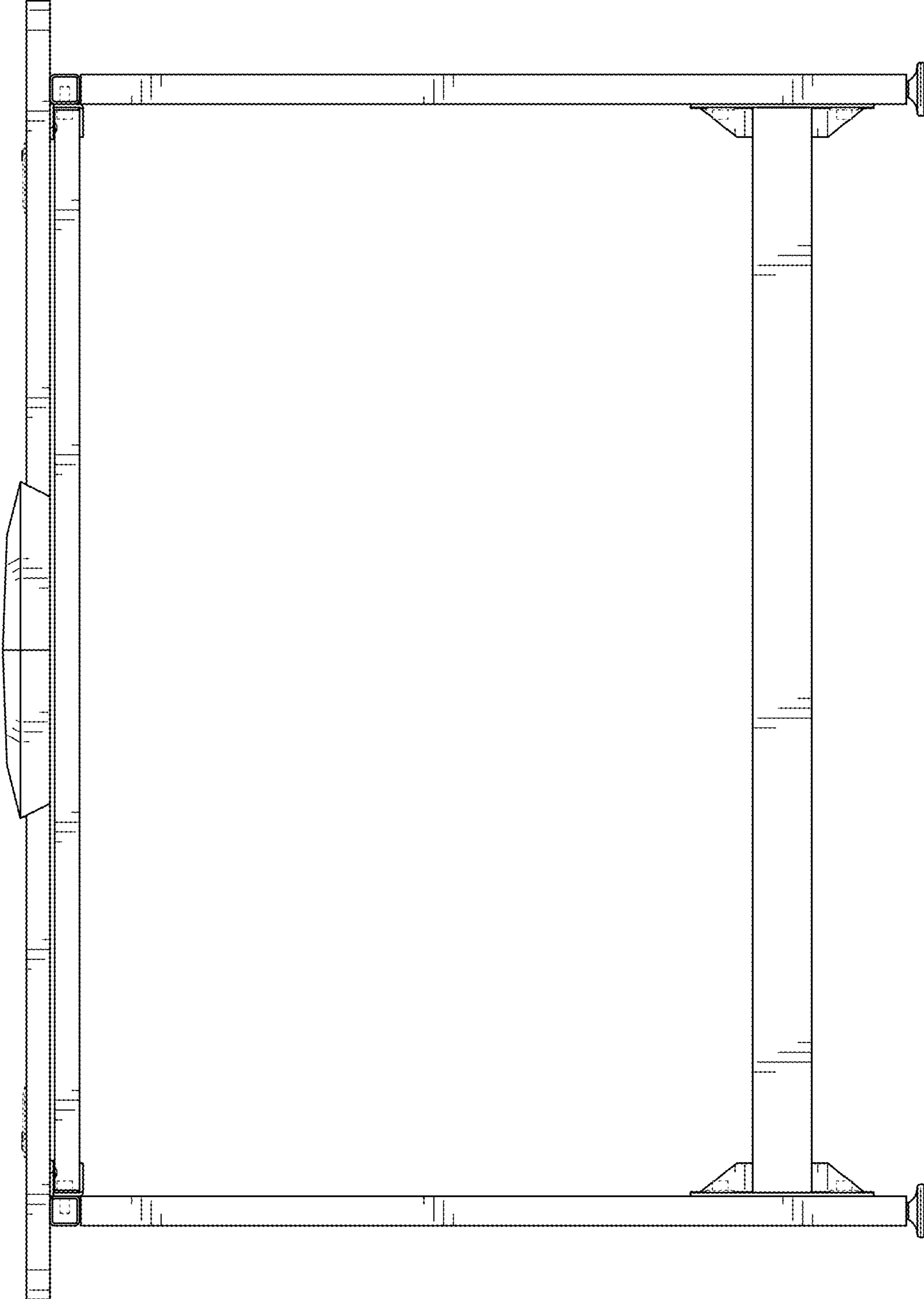


FIG. 2

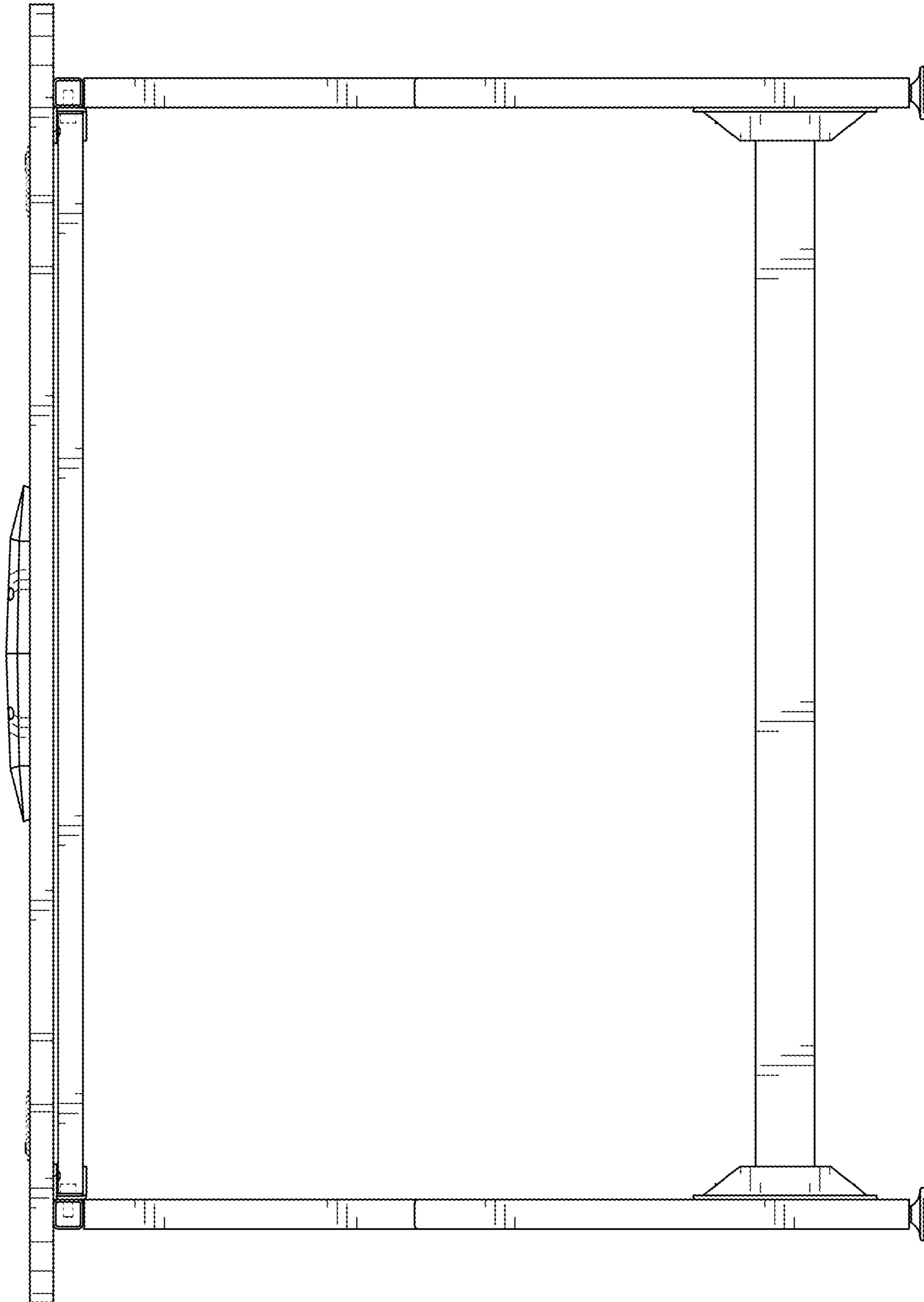


FIG. 3

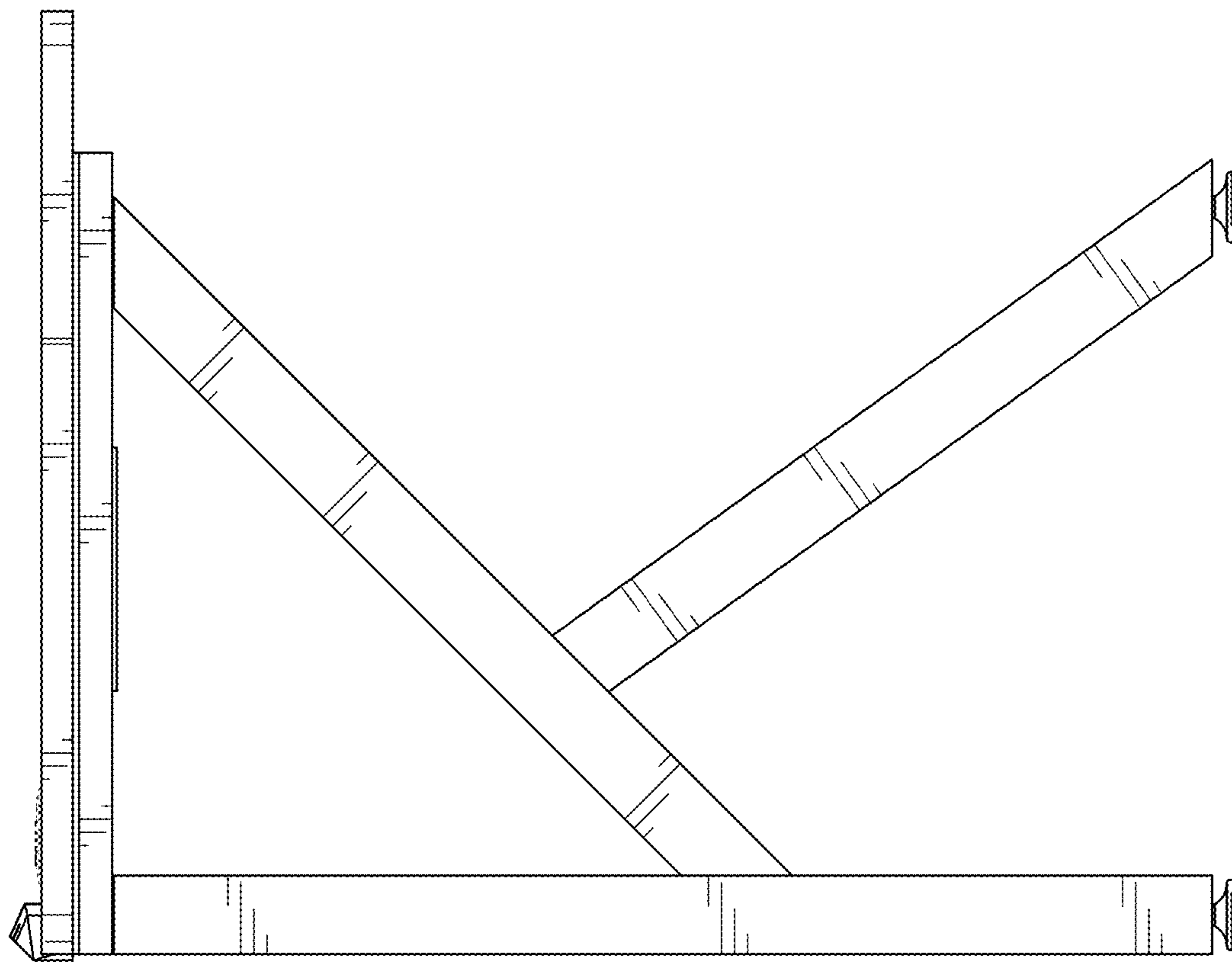


FIG. 4

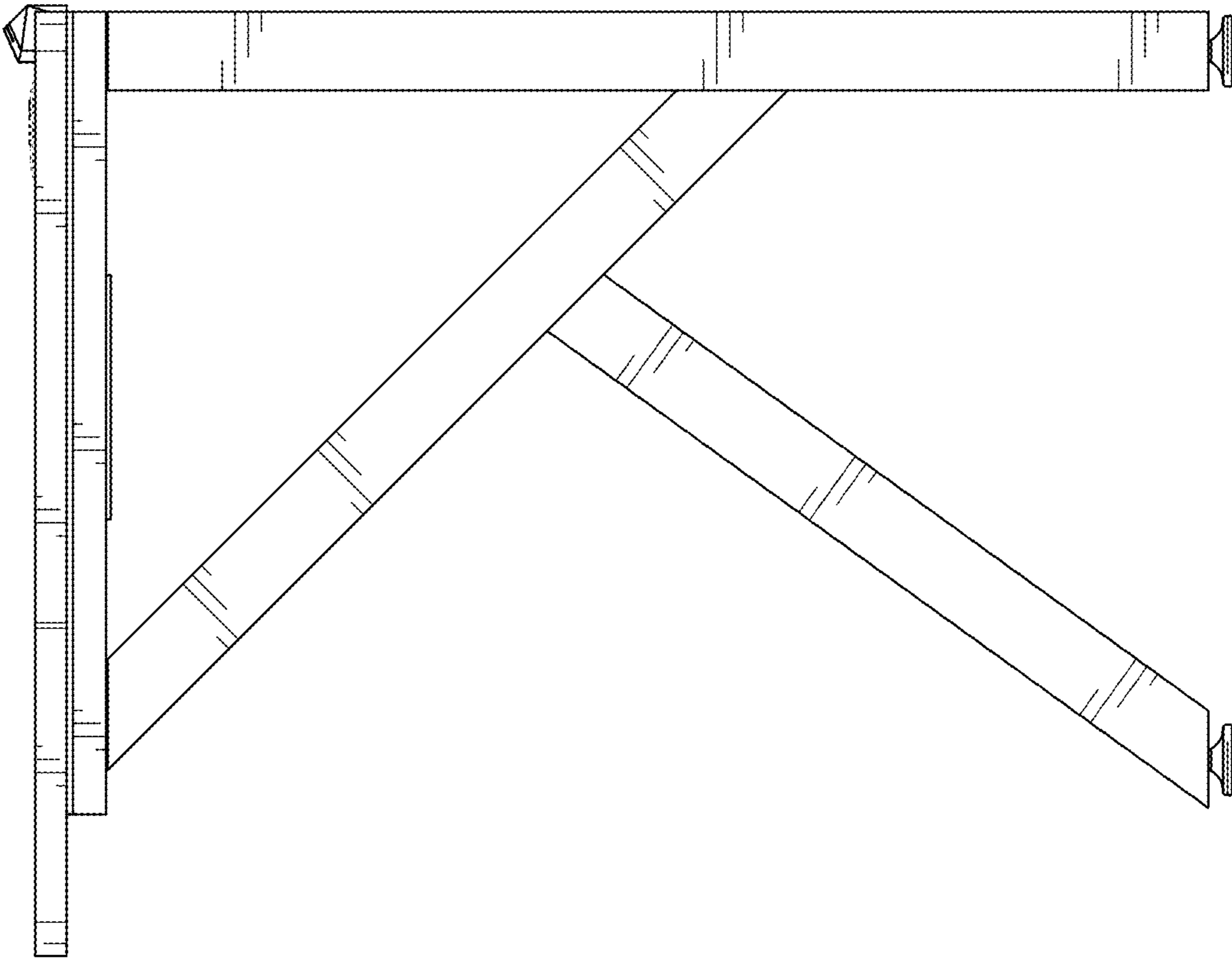


FIG. 5

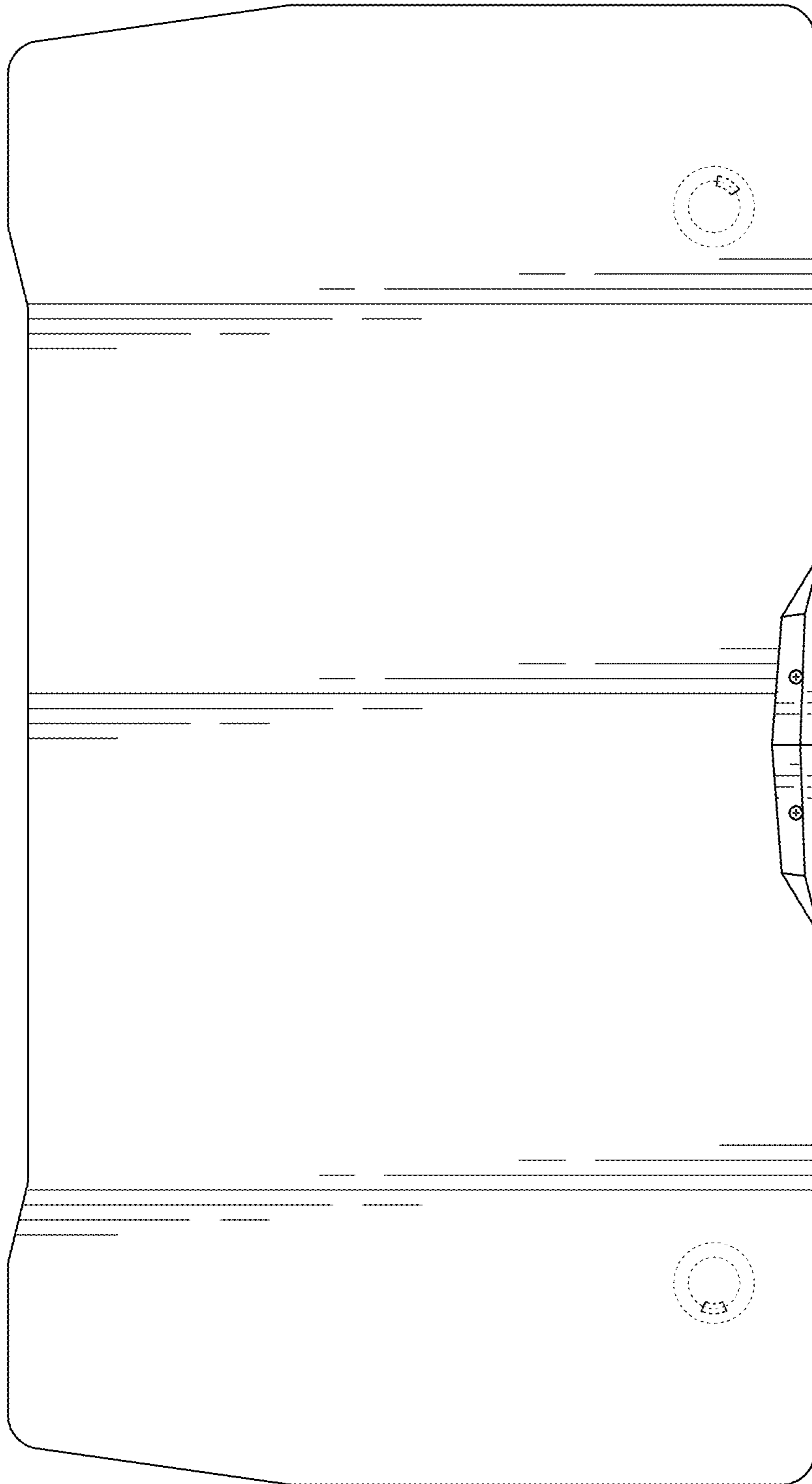


FIG. 6

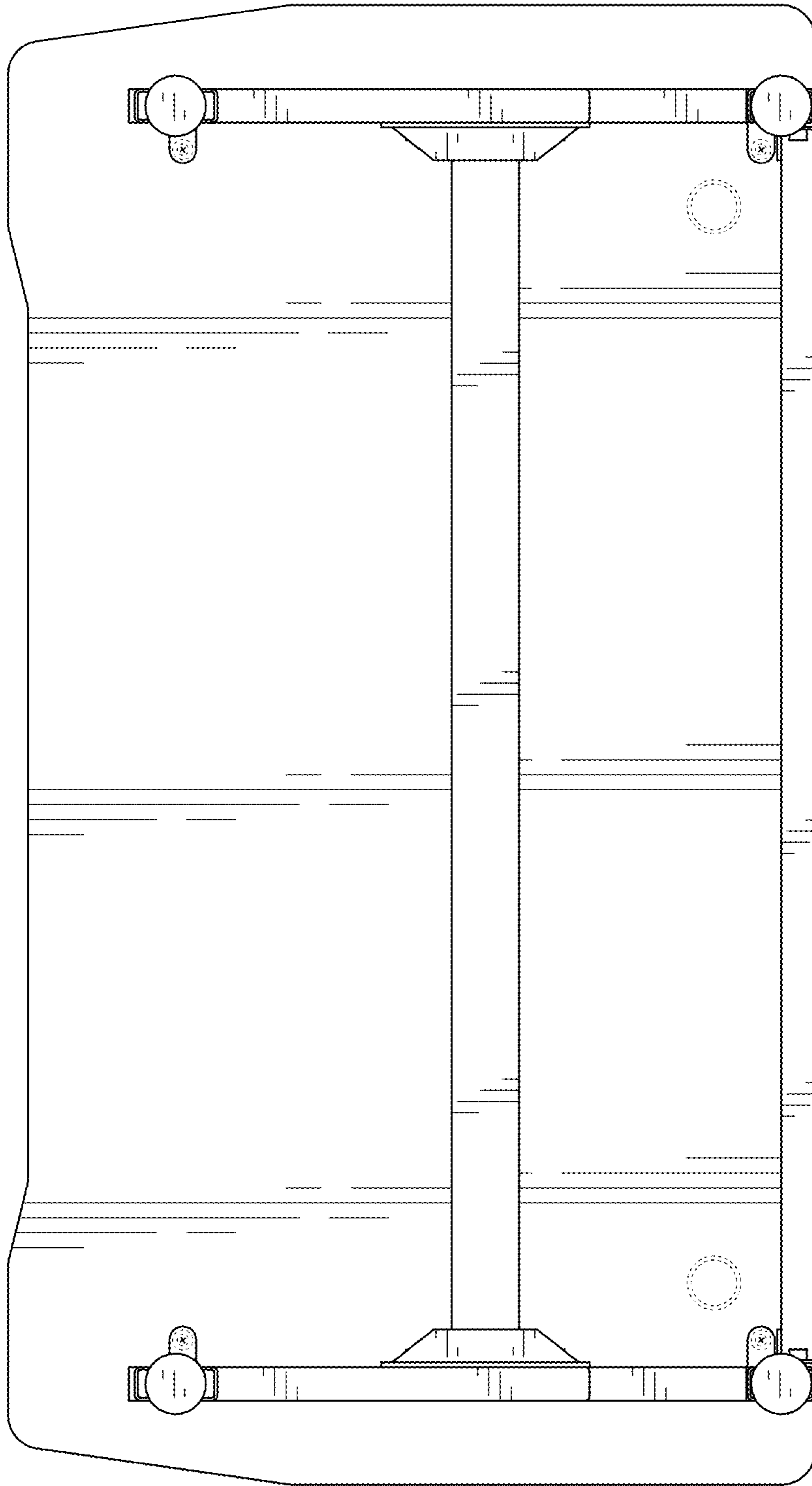


FIG. 7