



US00D878813S

(12) **United States Design Patent**
Knapp et al.

(10) **Patent No.:** **US D878,813 S**
(45) **Date of Patent:** **** Mar. 24, 2020**

- (54) **HEIGHT ADJUSTABLE DESK**
- (71) Applicant: **CKnapp Sales, Inc.**, Goodfield, IL (US)
- (72) Inventors: **Chance Knapp**, Goodfield, IL (US);
Brandon Meyer, Normal, IL (US)
- (73) Assignee: **CKnapp Sales, Inc.**, Goodfield, IL (US)
- (**) Term: **15 Years**
- (21) Appl. No.: **29/649,630**
- (22) Filed: **May 31, 2018**
- (51) **LOC (12) Cl.** **06-03**
- (52) **U.S. Cl.**
USPC **D6/655**
- (58) **Field of Classification Search**
USPC D6/353, 368, 642, 655, 655.1, 655.13,
D6/655.14, 655.2, 655.21, 686, 687, 691,
D6/691.9, 704, 708
CPC A47B 1/00; A47B 7/00; A47B 9/00; A47B
9/10; A47B 9/16; A47B 2009/006; A47B
11/00; A47B 13/00; A47B 13/081; A47B
21/0073; A47B 21/02; A47B 21/03; A47B
2200/005; A47B 2200/0064
See application file for complete search history.

(56) **References Cited**
U.S. PATENT DOCUMENTS

D771,982 S *	11/2016	Flaherty	D6/655
D781,617 S *	3/2017	Flaherty	D6/655
D781,618 S *	3/2017	Flaherty	D6/655
D781,619 S *	3/2017	Flaherty	D6/655
D784,050 S *	4/2017	Flaherty	D6/655
D814,214 S *	4/2018	Flaherty	D6/648
D832,002 S *	10/2018	Hu	D6/655.13
D836,952 S *	1/2019	Hu	D6/648
D841,369 S *	2/2019	Hu	D6/655

D843,137 S *	3/2019	Hu	D6/655
D845,037 S *	4/2019	Min	D6/655
D852,548 S *	7/2019	Hu	D6/655
2019/0110588 A1 *	4/2019	Wong	A47B 9/16

OTHER PUBLICATIONS

VIVO, posted at Amazon.com, posted on Jan. 9, 2018, site visited Aug. 15, 2019. online, available from internet: <https://www.amazon.com/VIVO-Adjustable-Standing-Converter-DESK-V000VC/dp/B078WZCYP7> (Year: 2018).*

* cited by examiner

Primary Examiner — Mary Ann Calabrese
Assistant Examiner — Catherine Ho

(74) *Attorney, Agent, or Firm* — Todd R. Fronck; Larkin Hoffman Daly & Lindgren, Ltd.

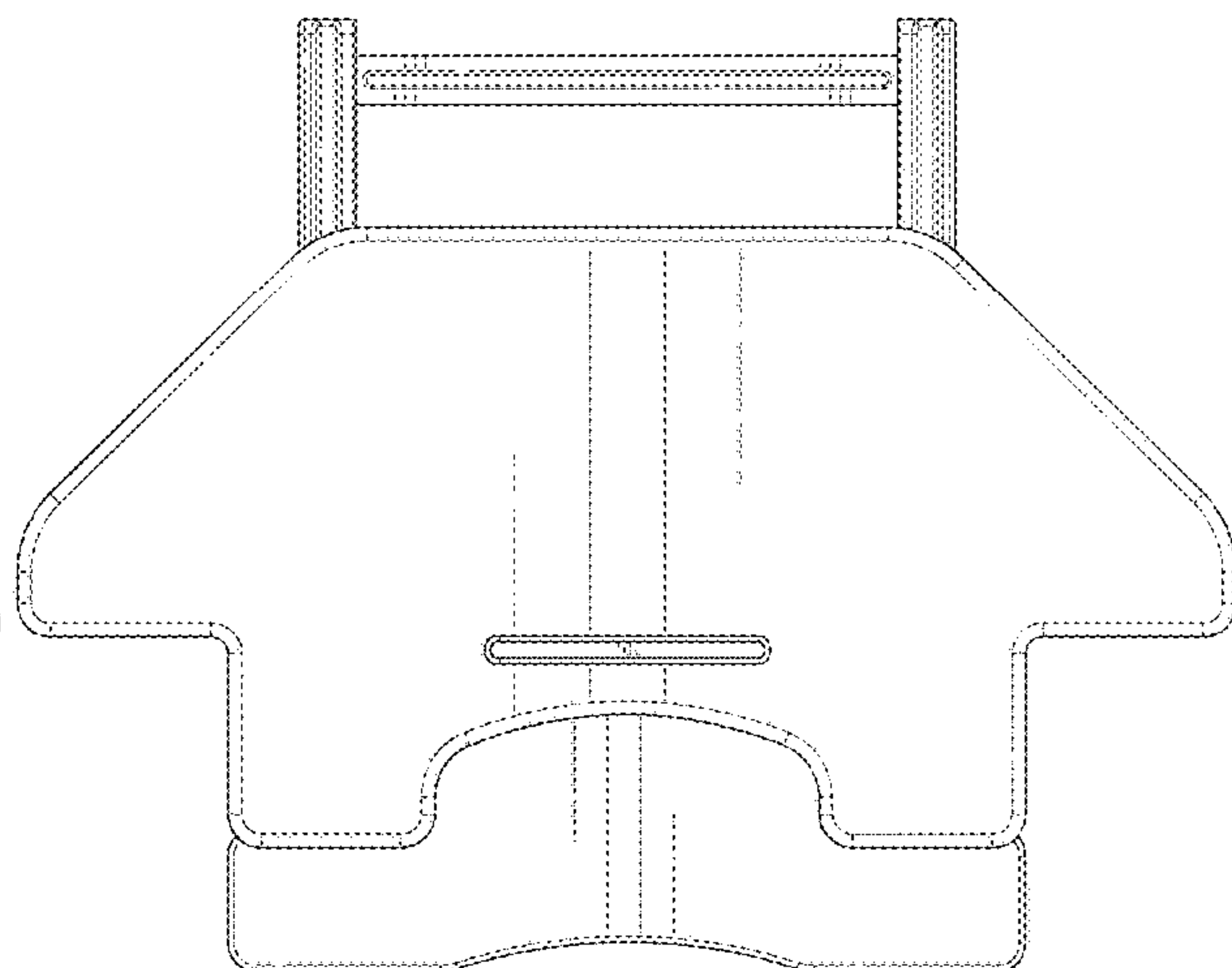
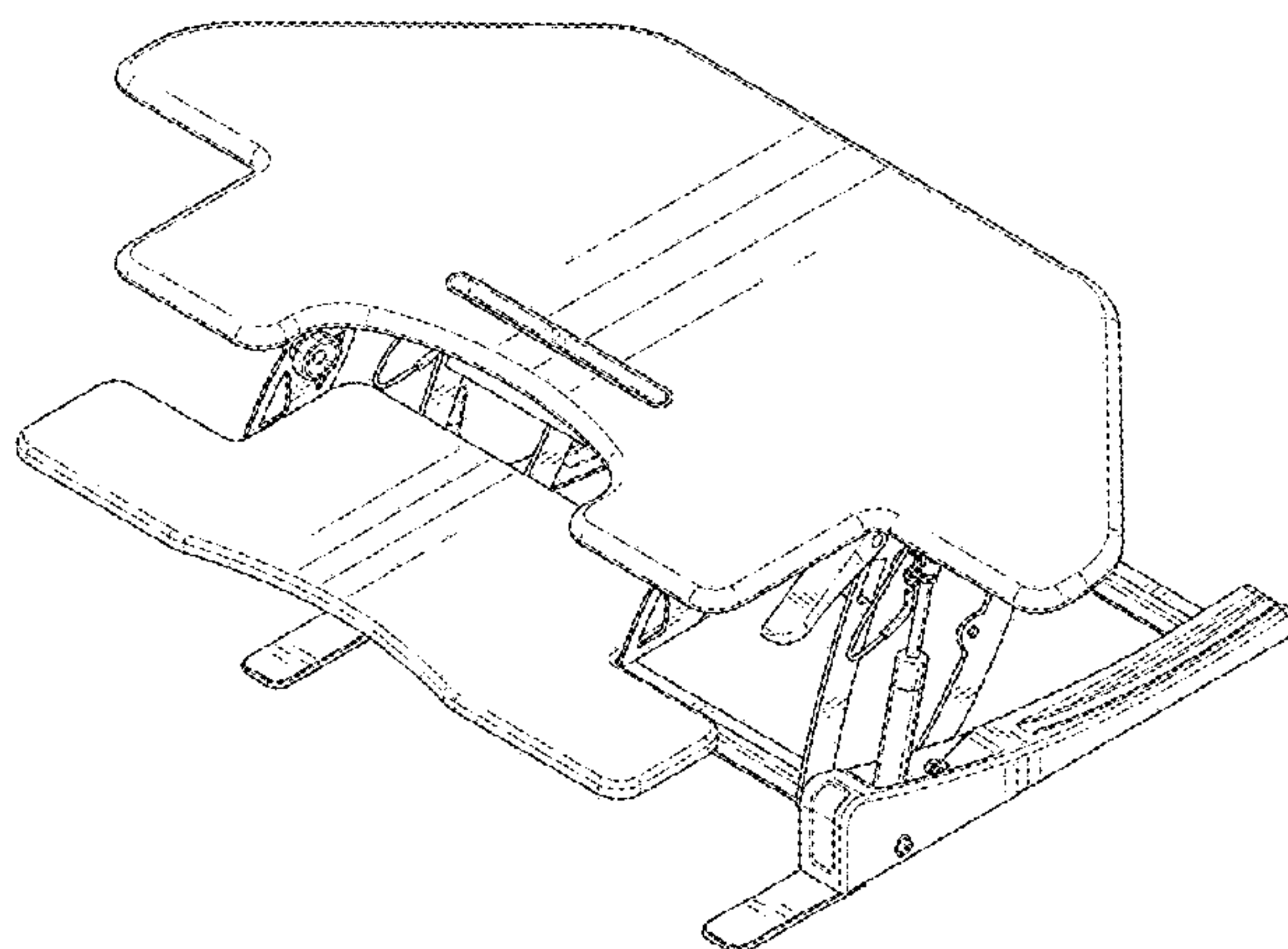
(57) **CLAIM**

The ornamental design for a height adjustable desk, as shown and described.

DESCRIPTION

FIG. 1 is a top perspective view of a height adjustable desk showing the new design;
FIG. 2 is a front view thereof;
FIG. 3 is a back view thereof;
FIG. 4 is a left side view thereof;
FIG. 5 is a right side view thereof;
FIG. 6 is a top plan view thereof; and,
FIG. 7 is a bottom plan view thereof.
The broken line portion of the figure drawings is included to show portions of the article that forms no part of the claimed design.

1 Claim, 7 Drawing Sheets



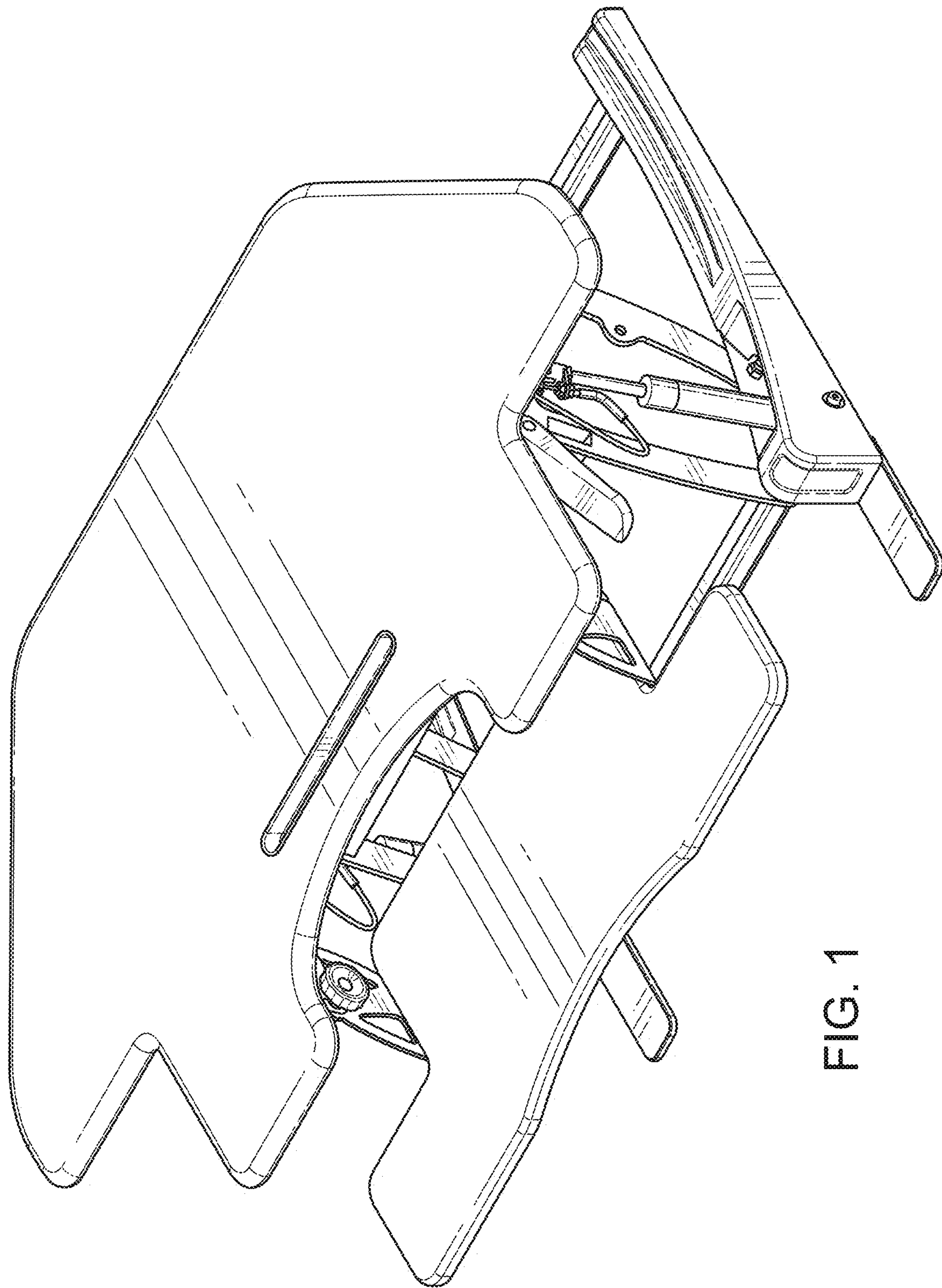


FIG. 1

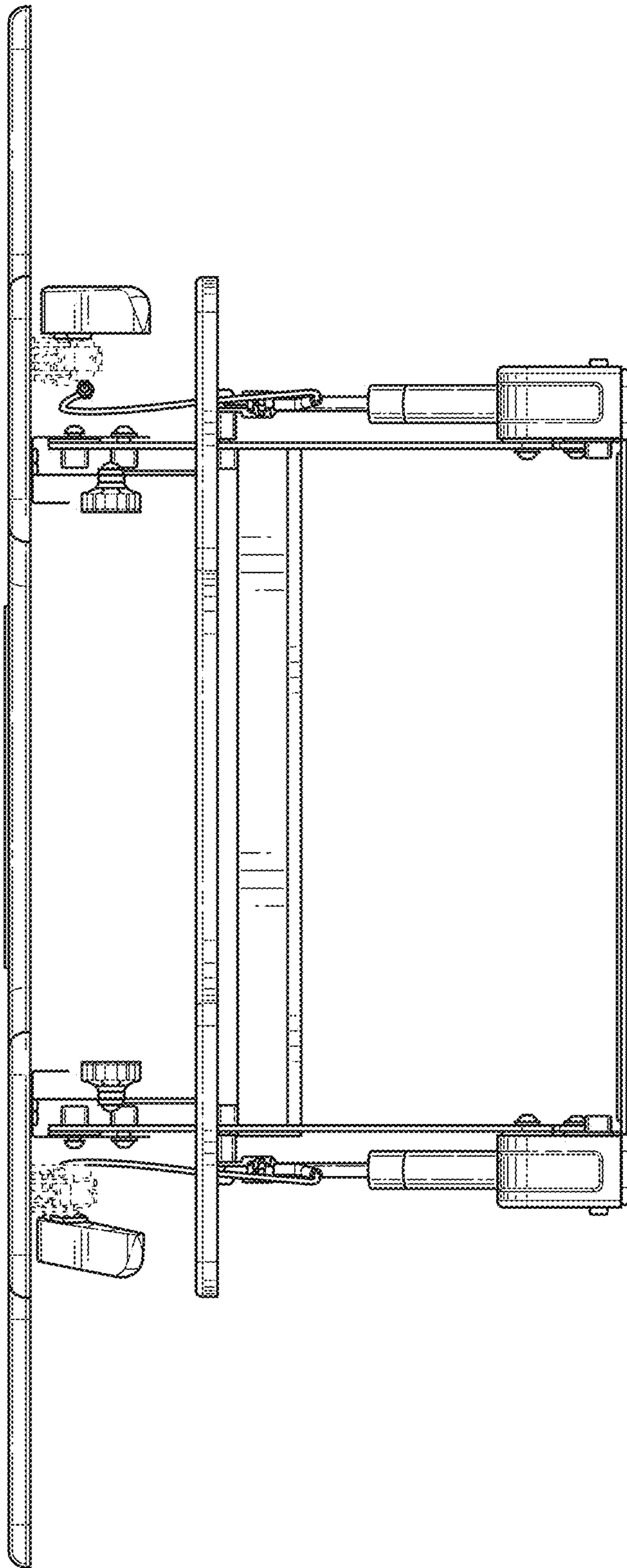


FIG. 2

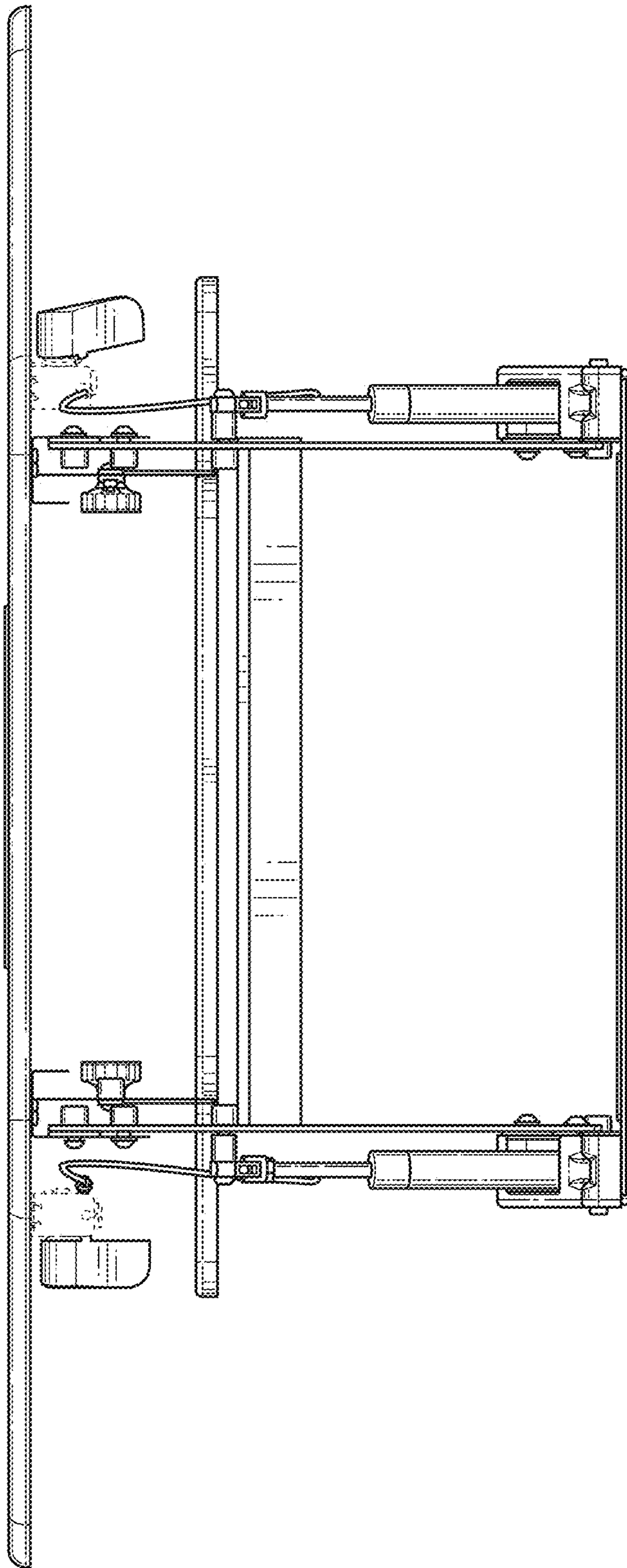


FIG. 3

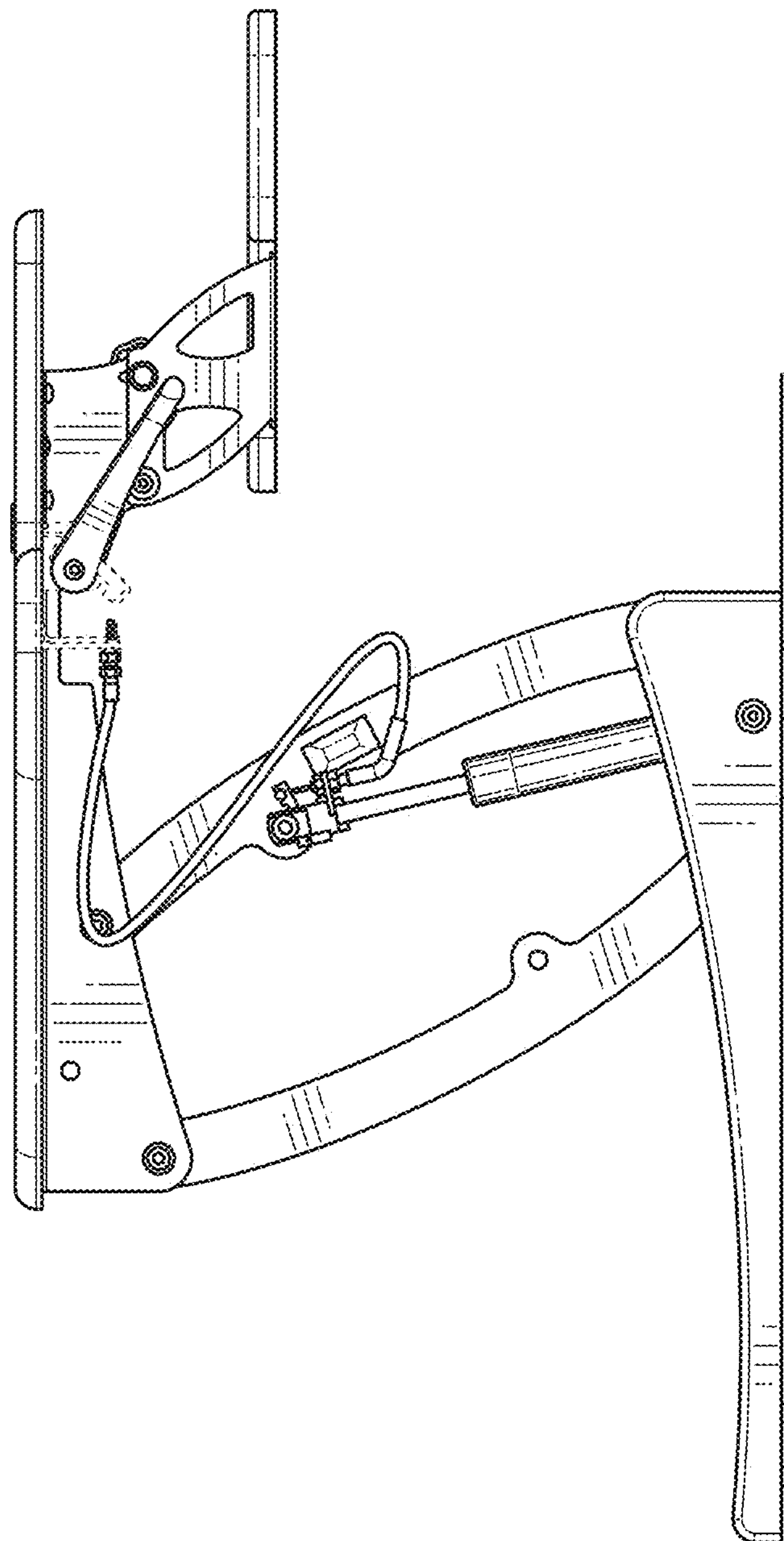


FIG. 4

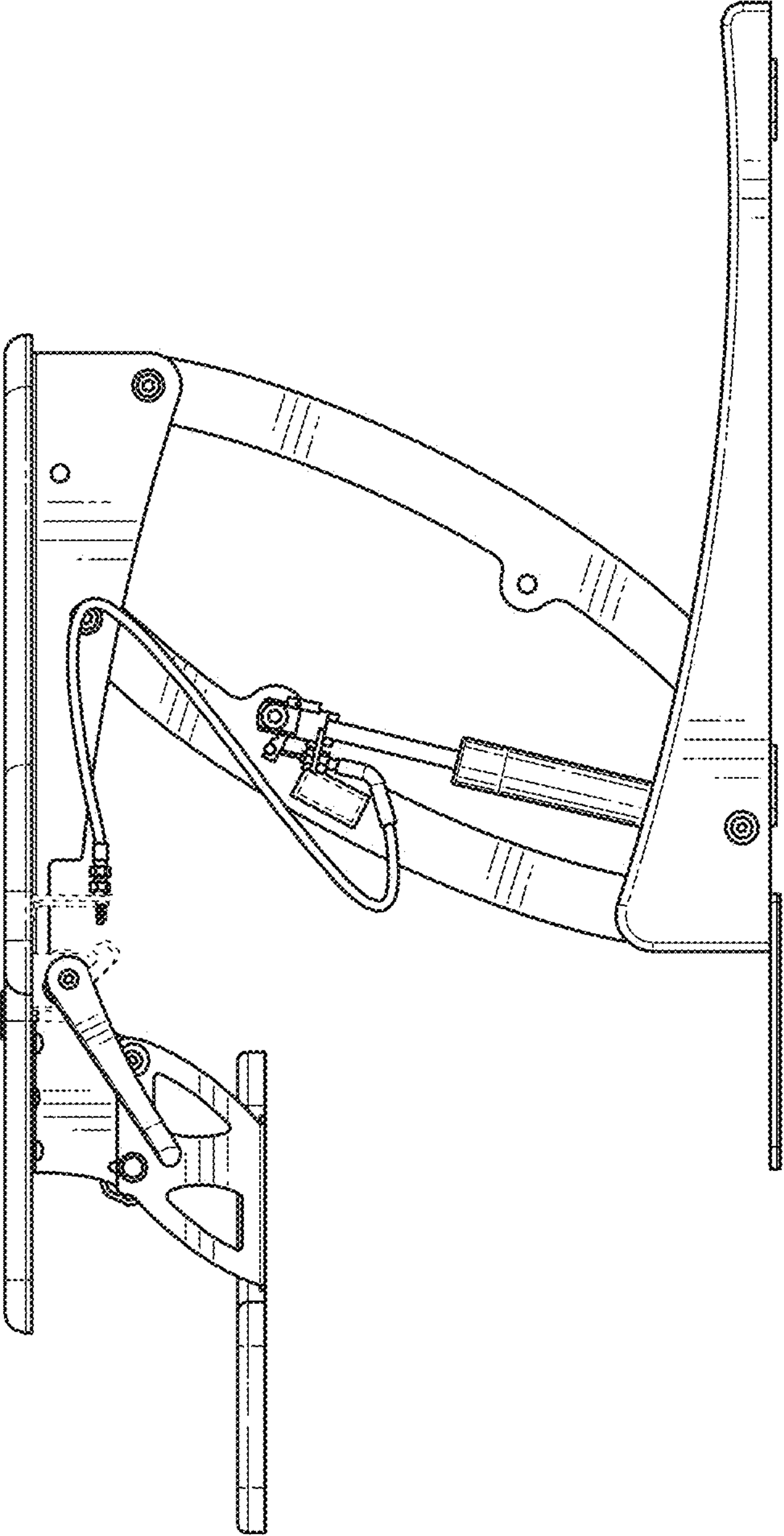


FIG. 5

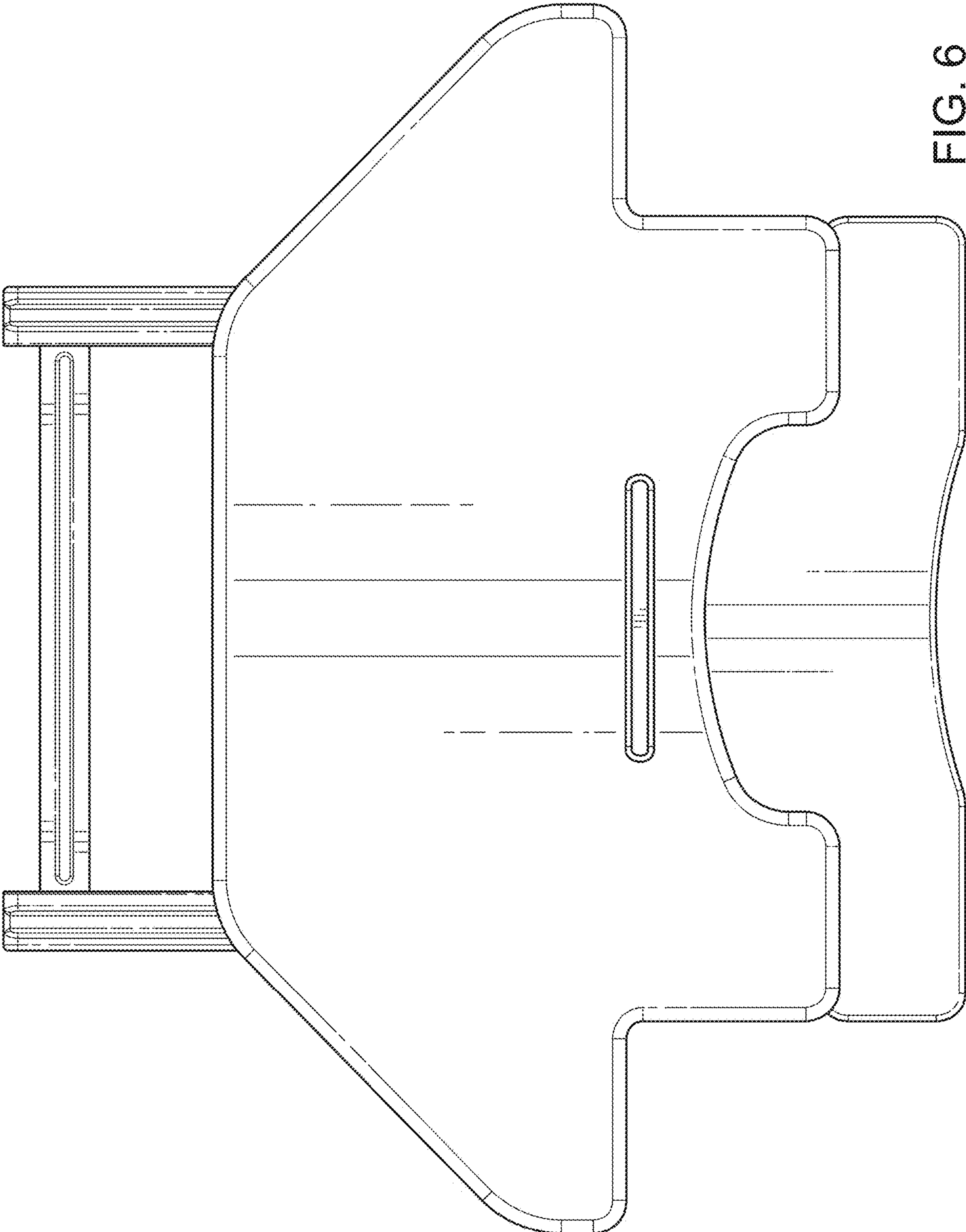


FIG. 6

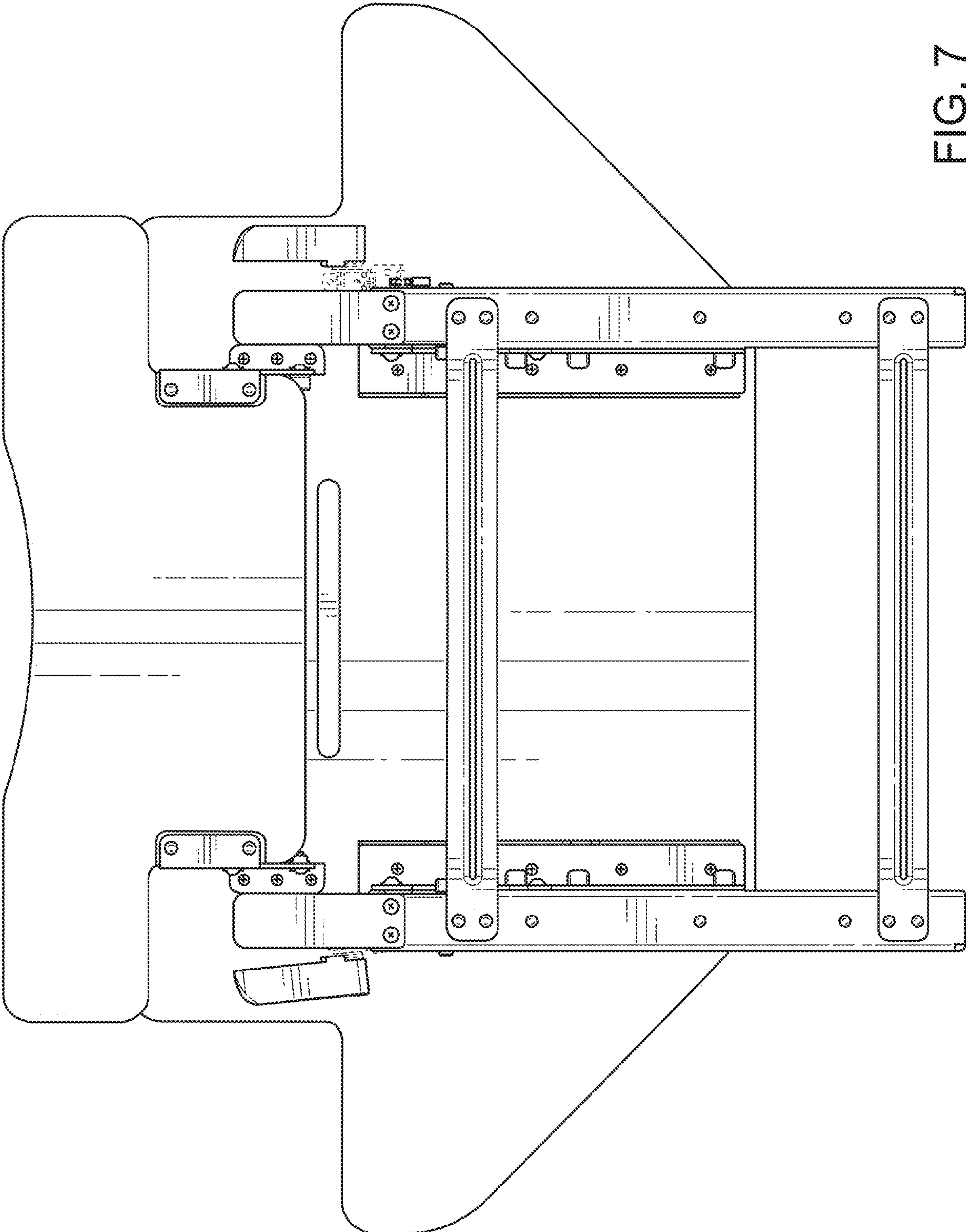


FIG. 7