



US00D878812S

(12) **United States Design Patent**
Udagawa et al.

(10) **Patent No.:** **US D878,812 S**

(45) **Date of Patent:** **** Mar. 24, 2020**

- (54) **WORKSTATION**
- (71) Applicant: **Knoll, Inc.**, East Greenville, PA (US)
- (72) Inventors: **Masamichi Udagawa**, New York, NY (US); **Sigrid Moeslinger**, New York, NY (US)
- (73) Assignee: **Knoll, Inc.**, East Greenville, PA (US)
- (**) Term: **15 Years**
- (21) Appl. No.: **29/650,223**
- (22) Filed: **Jun. 5, 2018**
- (51) **LOC (12) Cl.** **06-06**
- (52) **U.S. Cl.**
USPC **D6/643**
- (58) **Field of Classification Search**
USPC D6/640, 641, 642, 643, 643.1, 644, 645, 646, 647, 648, 649, 650, 652, 652.1, 652.2, 653, 653.1, 656.16, 656.17, 700, 701, 702, 703, 704, 705, 706, 707, 708, 709, 710, 711, 712, 713, 714, 715, 716, 717, 718, 719, 720, 721, 722, 723, 724, 725, 726, 727, 728, 729, 730, 731, 732, 733, 734, 735, 736, 737, 738, 739, 740, 741, 742, 743, 744, 745, 746, 747, 748, 749, 750, 751, 752, 753, 754, 755, 756, 757, 758, 759, 760, 761, 762, 763, 764, 765, 766, 767, 768, 769, 770, 771, 772, 773, 774, 775, 776, 777, 778, 779, 780, 781, 782, 783, 784, 785, 786, 787, 788, 789, 790, 791, 792, 793, 794, 795, 796, 797, 798, 799, 800, 801, 802, 803, 804, 805, 806, 807, 808, 809, 810, 811, 812, 813, 814, 815, 816, 817, 818, 819, 820, 821, 822, 823, 824, 825, 826, 827, 828, 829, 830, 831, 832, 833, 834, 835, 836, 837, 838, 839, 840, 841, 842, 843, 844, 845, 846, 847, 848, 849, 850, 851, 852, 853, 854, 855, 856, 857, 858, 859, 860, 861, 862, 863, 864, 865, 866, 867, 868, 869, 870, 871, 872, 873, 874, 875, 876, 877, 878, 879, 880, 881, 882, 883, 884, 885, 886, 887, 888, 889, 890, 891, 892, 893, 894, 895, 896, 897, 898, 899, 900, 901, 902, 903, 904, 905, 906, 907, 908, 909, 910, 911, 912, 913, 914, 915, 916, 917, 918, 919, 920, 921, 922, 923, 924, 925, 926, 927, 928, 929, 930, 931, 932, 933, 934, 935, 936, 937, 938, 939, 940, 941, 942, 943, 944, 945, 946, 947, 948, 949, 950, 951, 952, 953, 954, 955, 956, 957, 958, 959, 960, 961, 962, 963, 964, 965, 966, 967, 968, 969, 970, 971, 972, 973, 974, 975, 976, 977, 978, 979, 980, 981, 982, 983, 984, 985, 986, 987, 988, 989, 990, 991, 992, 993, 994, 995, 996, 997, 998, 999, 1000
CPC . A47F 3/00; A47F 3/142; A47B 57/00; A47B 57/30; A47B 57/40; A47B 87/00; E04B 2/744; E04B 2/7407; E04B 2/7416; E04B 2002/7483
See application file for complete search history.

- 3,931,771 A * 1/1976 Kramer A47B 41/00 108/77
- D330,641 S * 11/1992 Zapf D6/642
- D762,876 S * 8/2016 Karashima D25/58
- D791,512 S * 7/2017 Bouroullec D6/336
- D793,749 S * 8/2017 Kitajima D6/332
- D793,750 S * 8/2017 Kitajima D6/332
- D824,195 S * 7/2018 Ezure D6/714
- D853,758 S * 7/2019 Prontera D6/643.1
- 2012/0305203 A1* 12/2012 Verbeek E04B 2/7427 160/220

* cited by examiner

Primary Examiner — Mary Ann Calabrese
Assistant Examiner — Catherine Ho
(74) *Attorney, Agent, or Firm* — Buchanan Ingersoll & Rooney PC

(57) **CLAIM**

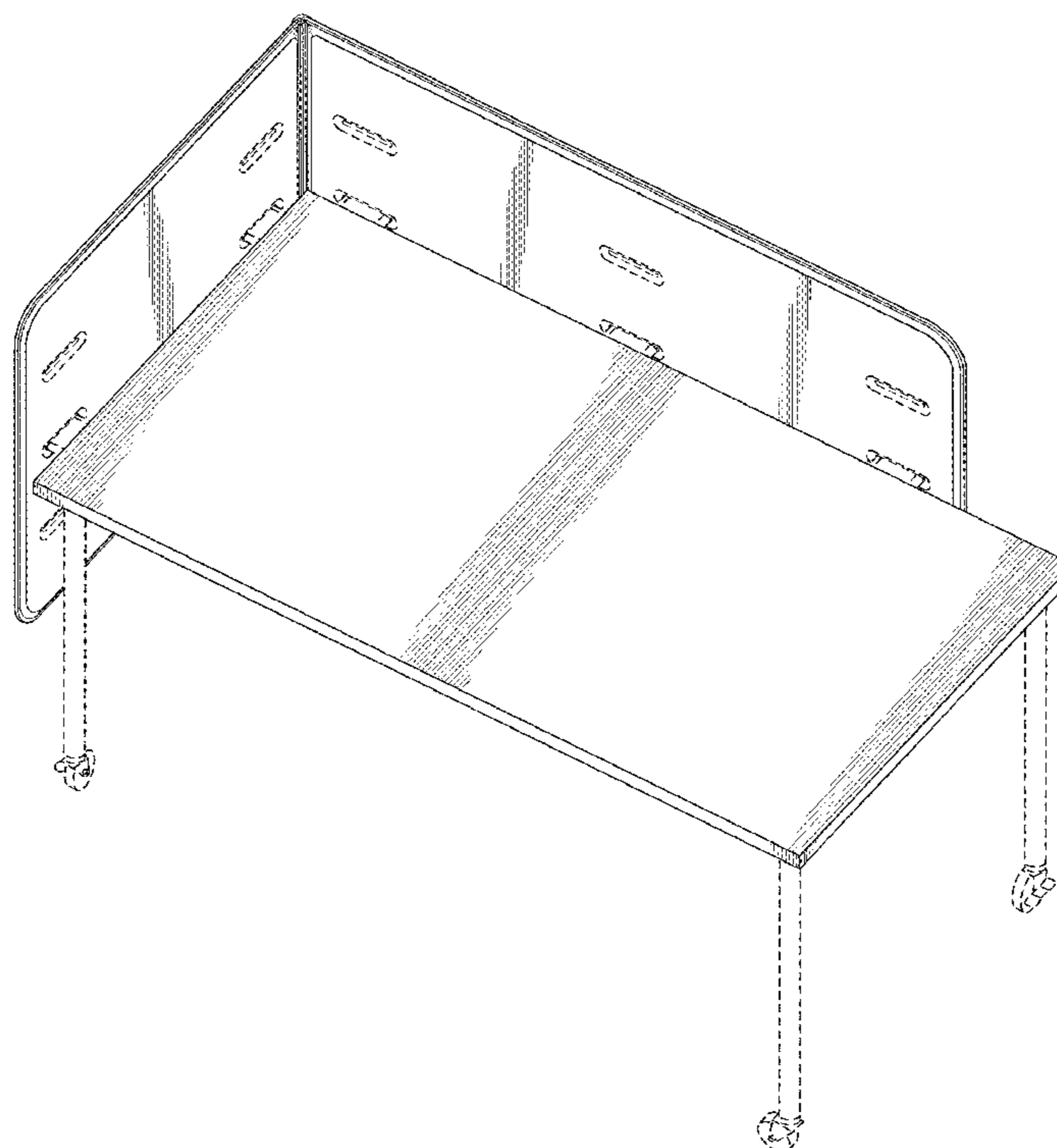
We claim the ornamental design for a workstation, as shown and described.

DESCRIPTION

FIG. 1 is a perspective view of a workstation, showing our new design;
FIG. 2 is a front elevational view thereof;
FIG. 3 is a rear elevational view thereof;
FIG. 4 is a top plan view thereof;
FIG. 5 is a bottom plan view thereof;
FIG. 6 is a left side elevational view thereof; and,
FIG. 7 is a right side elevational view thereof.
The broken lines shown in the drawing Figures illustrate portions of the workstation that form no part of the claimed design.

1 Claim, 7 Drawing Sheets

- (56) **References Cited**
U.S. PATENT DOCUMENTS
D200,649 S * 3/1965 Johnson D6/642
D210,134 S * 2/1968 Chrstensen D6/652.2
D216,991 S * 3/1970 Gianfagna D6/643.1



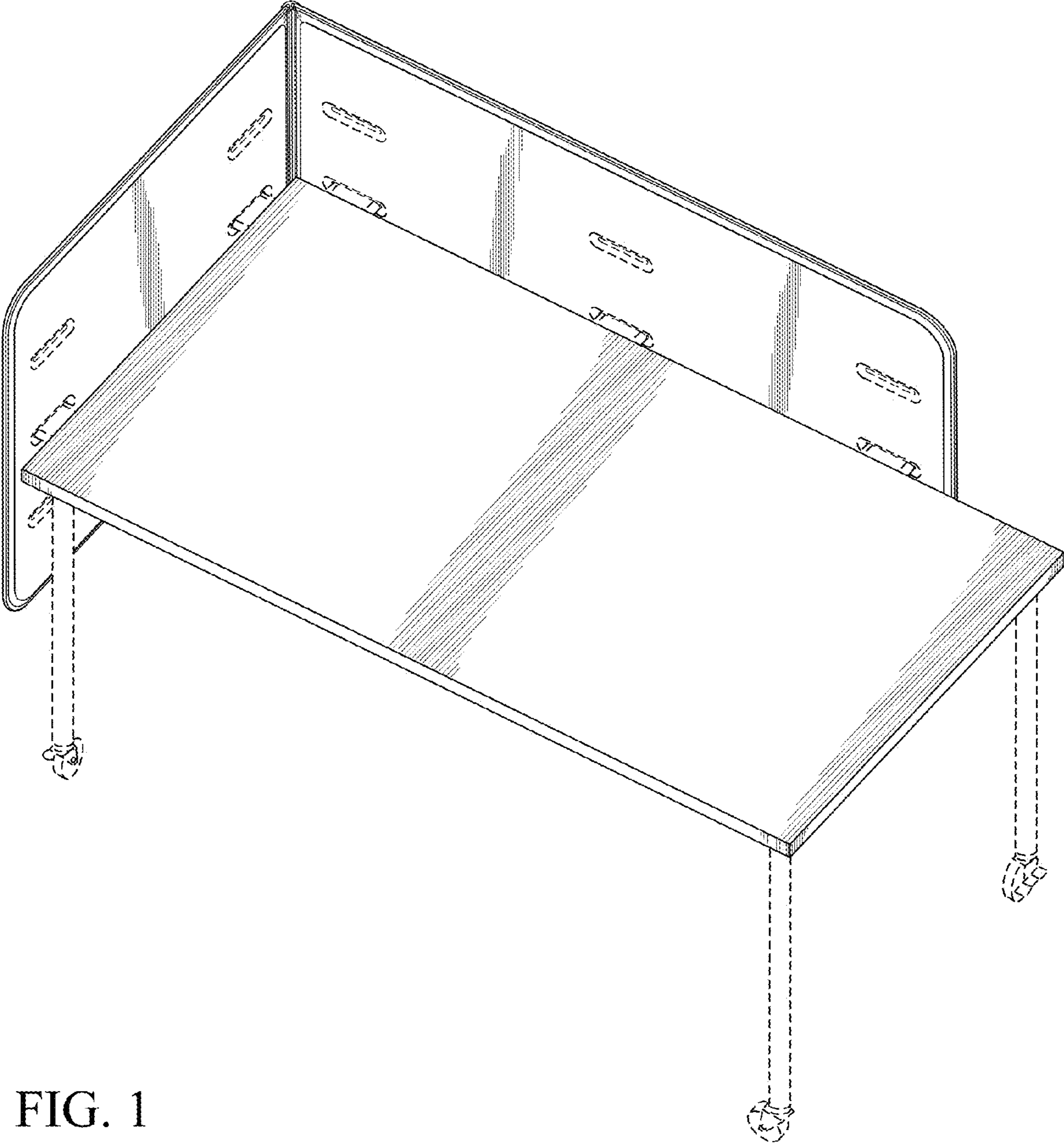


FIG. 1

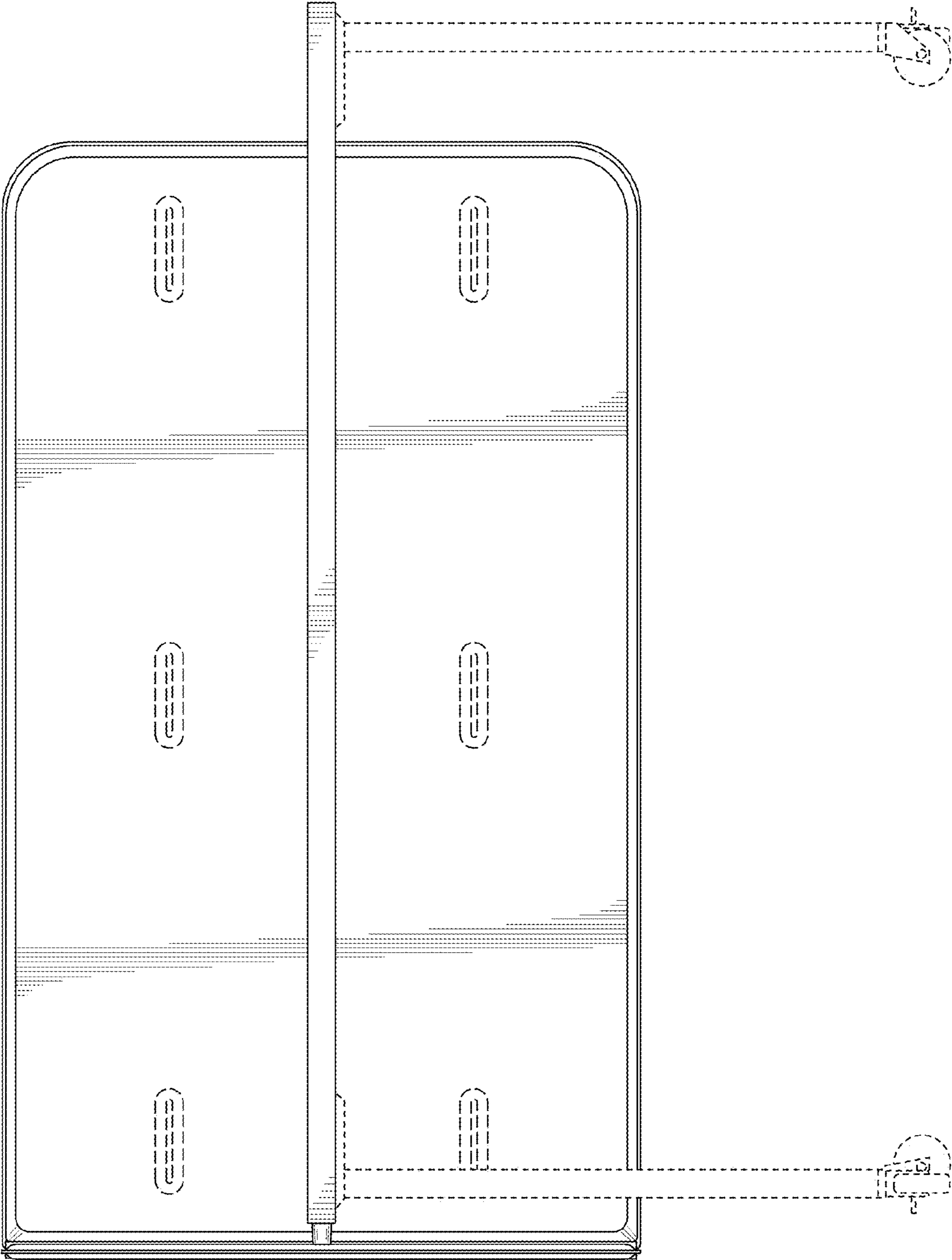


FIG. 2

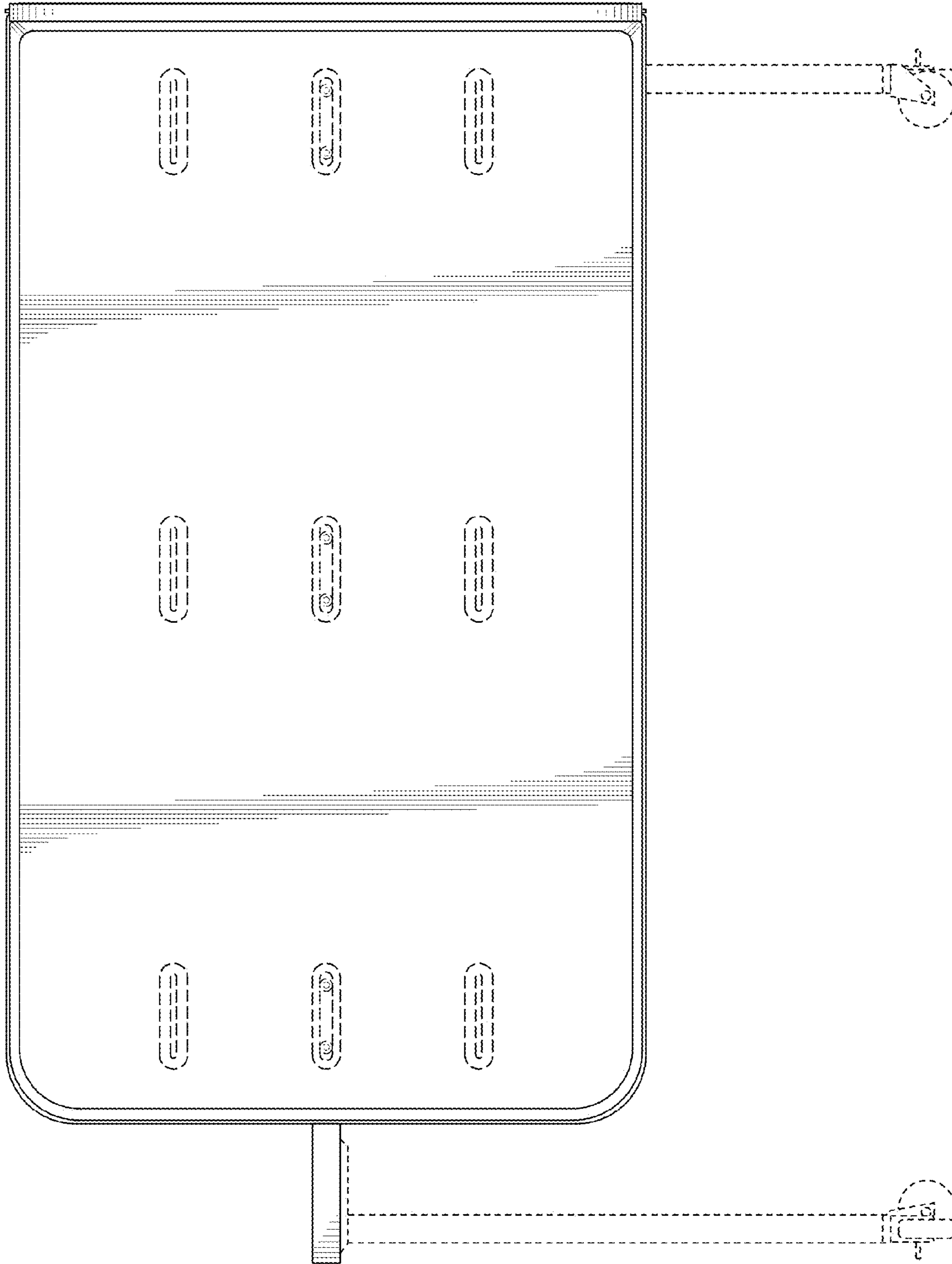


FIG. 3

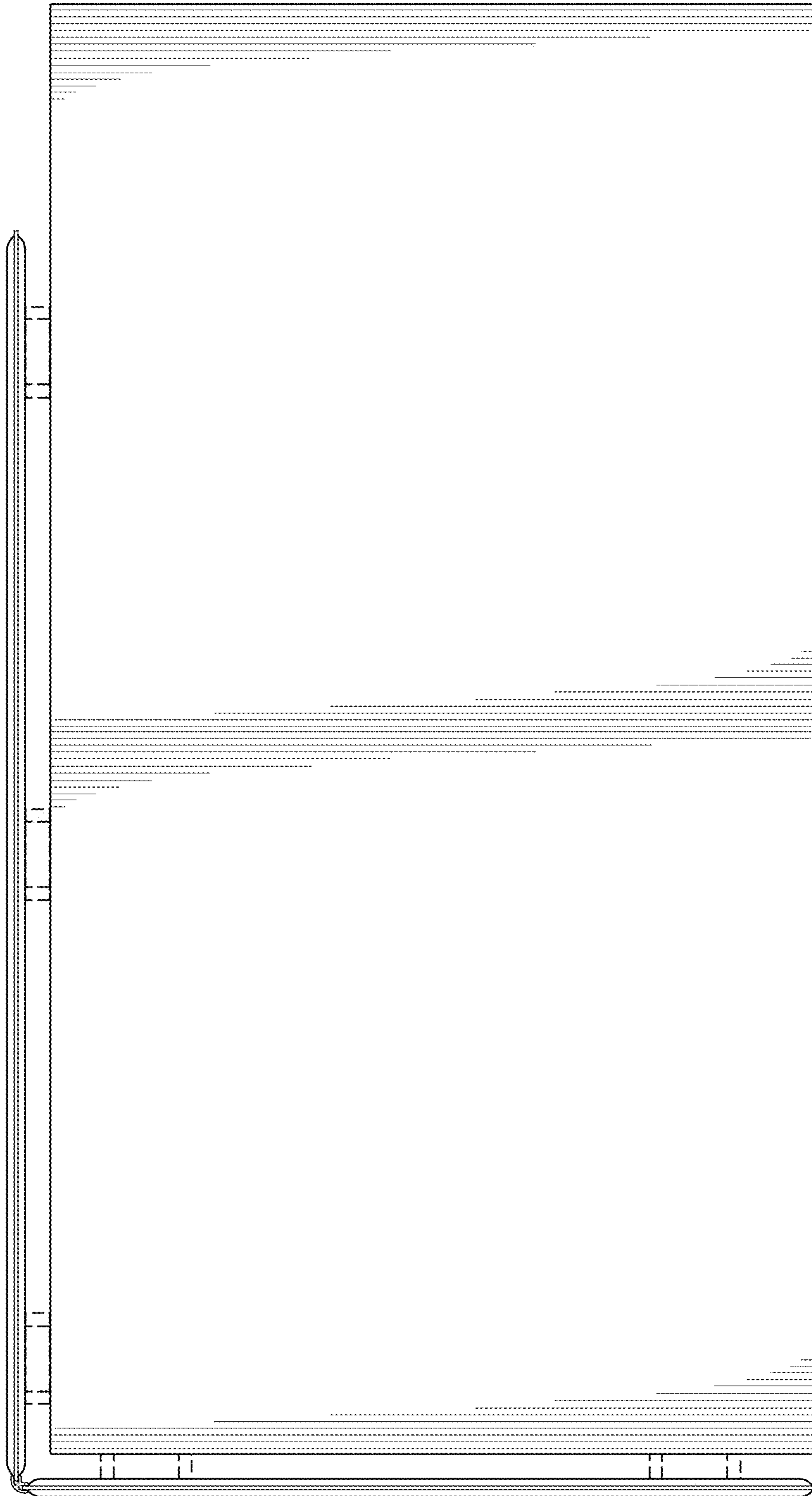


FIG. 4

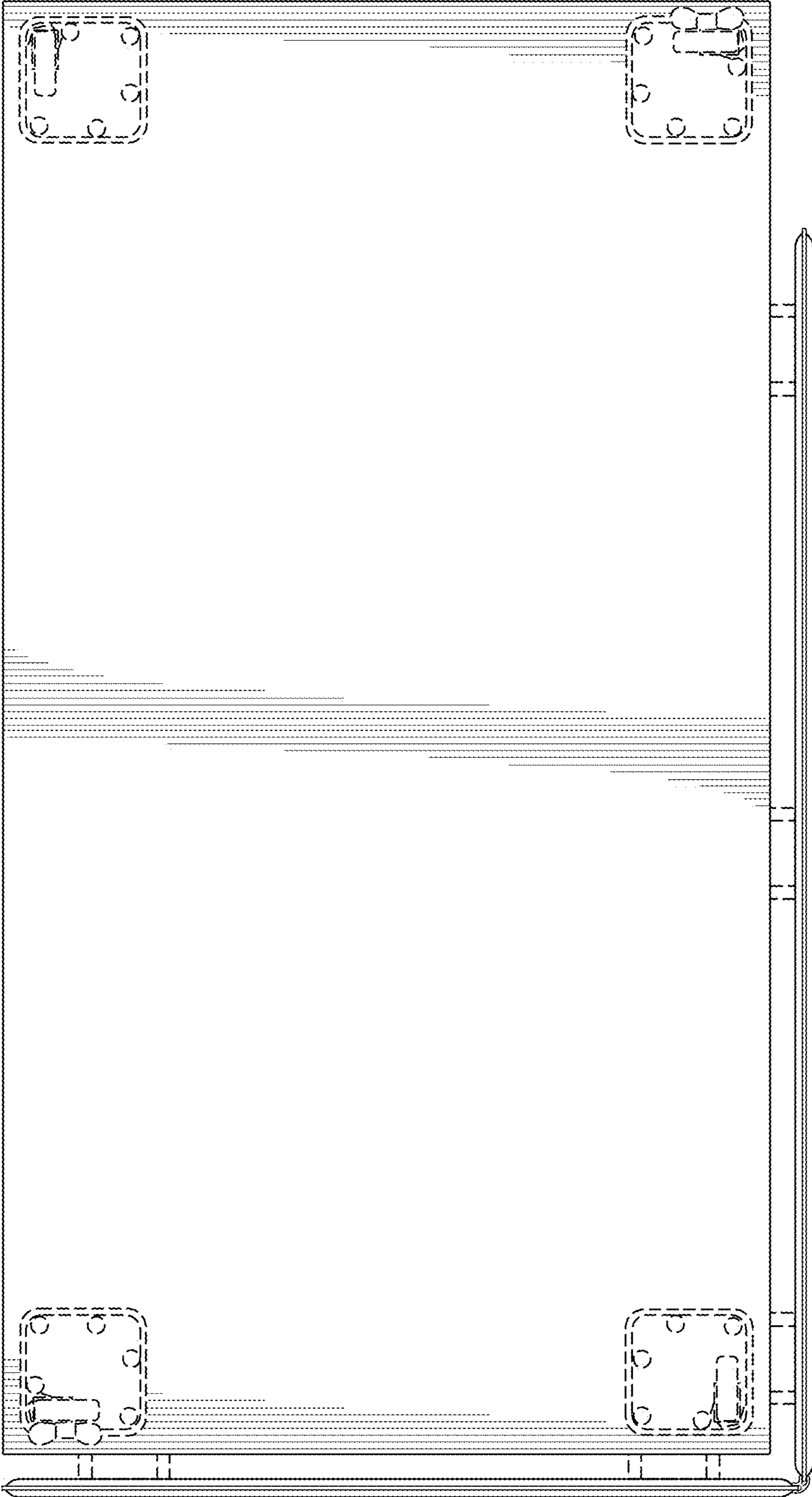


FIG. 5

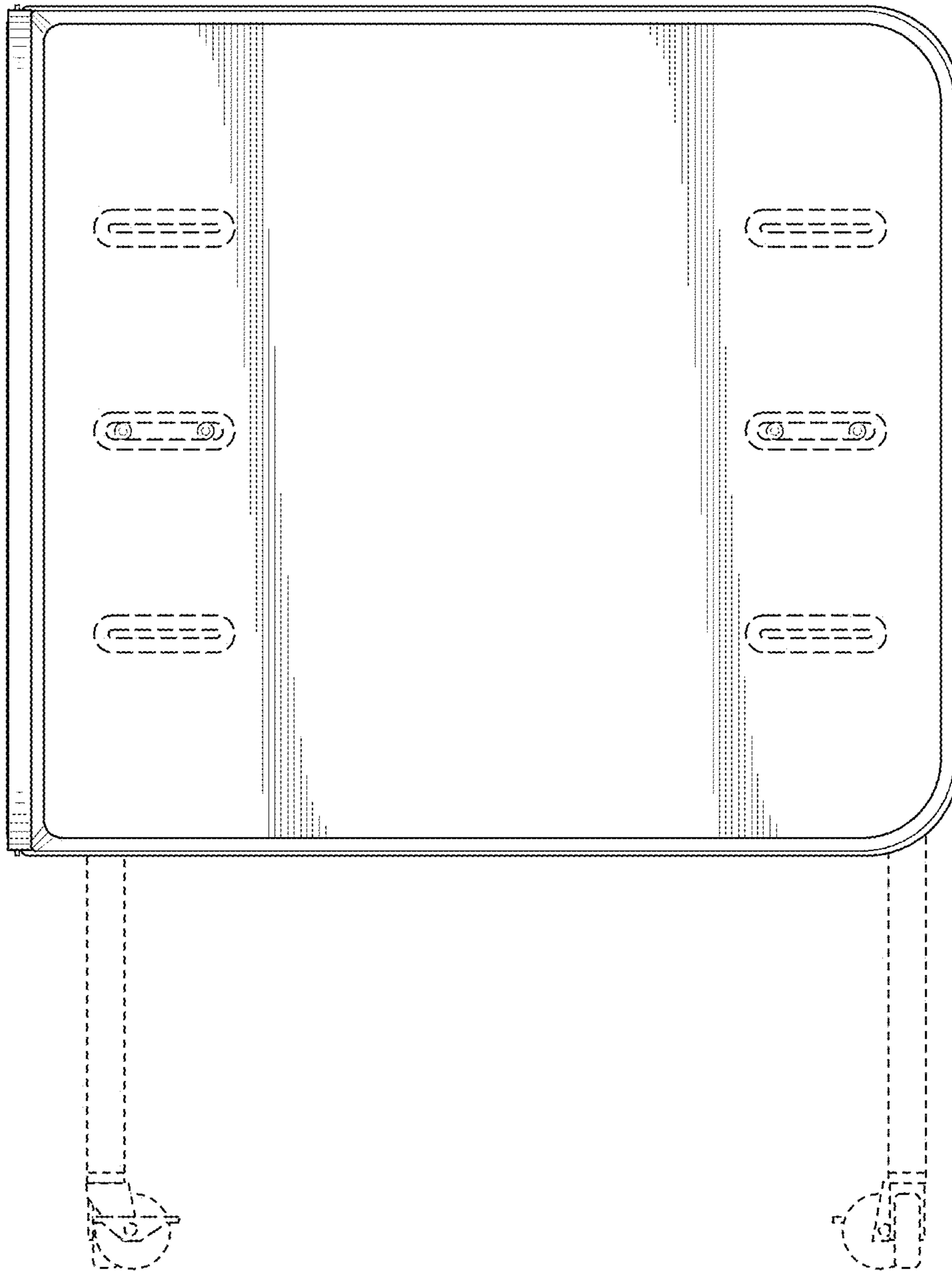


FIG. 6

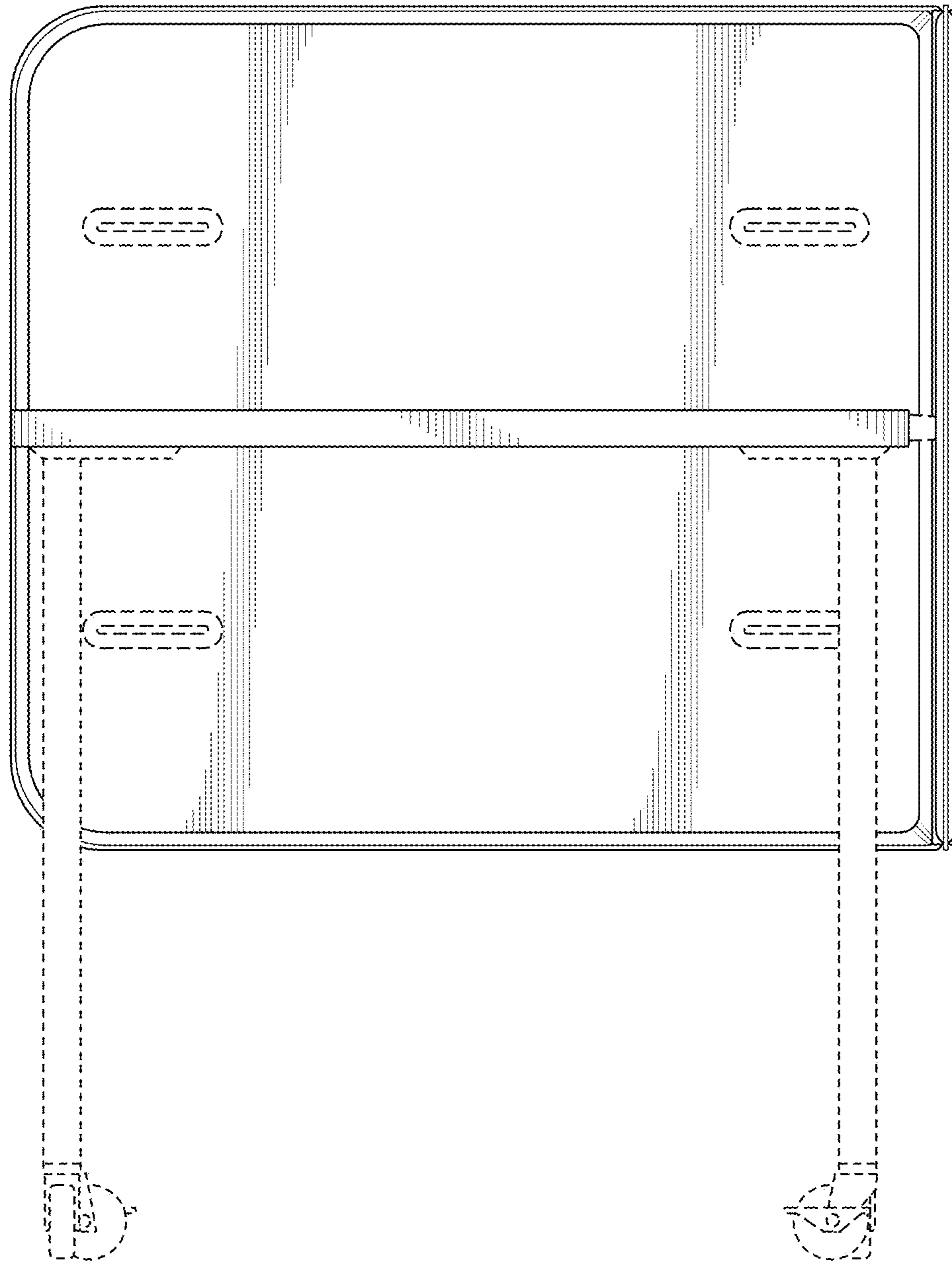


FIG. 7