



US00D878810S

(12) **United States Design Patent**
O'Donnell

(10) **Patent No.:** **US D878,810 S**

(45) **Date of Patent:** **** Mar. 24, 2020**

(54) **BABY BLANKET WITH PACIFIER POCKET**

4,125,903 A * 11/1978 Farrell A41B 13/00
2/69.5

(71) Applicant: **Laura Marie O'Donnell**, Hermosa
Beach, CA (US)

D412,422 S * 8/1999 Cobb D6/608
D413,477 S * 9/1999 Chaney D6/608
D424,858 S * 5/2000 Douglas D6/595
D470,704 S * 2/2003 Varon D6/608

(72) Inventor: **Laura Marie O'Donnell**, Hermosa
Beach, CA (US)

(Continued)

(**) Term: **15 Years**

Primary Examiner — Michelle E. Wilson

Assistant Examiner — Sanjeev Paul

(21) Appl. No.: **29/613,613**

(74) *Attorney, Agent, or Firm* — David A. Belasco;

(22) Filed: **Aug. 11, 2017**

Belasco Jacobs & Townsley, LLP

(51) **LOC (12) Cl.** **06-13**

(52) **U.S. Cl.**
USPC **D6/603**

(57) **CLAIM**

(58) **Field of Classification Search**

I claim the ornamental design for the baby blanket with
pacifier pocket, as shown and described.

USPC D6/333, 349, 355, 375, 388, 512, 563,
D6/564, 595, 596, 601, 604, 611, 707,
D6/715, 716, 716.1; 5/401, 420, 600,
5/630, 631, 632, 633, 635, 636, 638, 639,
5/646, 652, 652.1, 655, 703, 730;
297/401, 420, 600, 630, 631, 632, 633,
297/635, 636, 638, 639, 646, 652, 652.1,
297/655, 703, 730

CPC A47G 9/02; A47G 9/0207; A47G 9/0215;
A47G 9/0223; A47G 9/023; A47G
9/0238; A47G 9/0246; A47G 9/0253;
A47G 9/0261; A47G 9/06; A47G 9/062;
A47G 9/066; A47G 9/08; A47G 9/083;
A47G 9/086; A47G 9/04; A47G 9/0292;
A47G 9/00; A47G 9/10; A47G 9/1009;
A47G 9/1027; A47G 9/1045; A47G
9/1063; A47G 9/1072; A47G 9/1081;
A47G 2009/0276; A47G 2009/001; A47G
2009/002; A47G 2009/003; A47G
2009/005

See application file for complete search history.

DESCRIPTION

FIG. 1 is a perspective view of my baby blanket with pacifier
pocket;

FIG. 2 is a top view thereof;

FIG. 3 is a left side elevational view thereof;

FIG. 4 is a front side elevational view thereof;

FIG. 5 is a right side elevational view thereof;

FIG. 6 is a back side elevational view thereof;

FIG. 7 is a bottom view thereof;

FIG. 8 is a perspective view thereof with a phantom toy
animal and pacifier;

FIG. 9 is a perspective view thereof with a phantom pacifier;

FIG. 10 is a perspective view thereof with a hooking and
looping closure;

FIG. 11 is a perspective view thereof with a phantom
elasticized closure;

FIG. 12 is a perspective view thereof with a knot closure at
the top of the pocket; and,

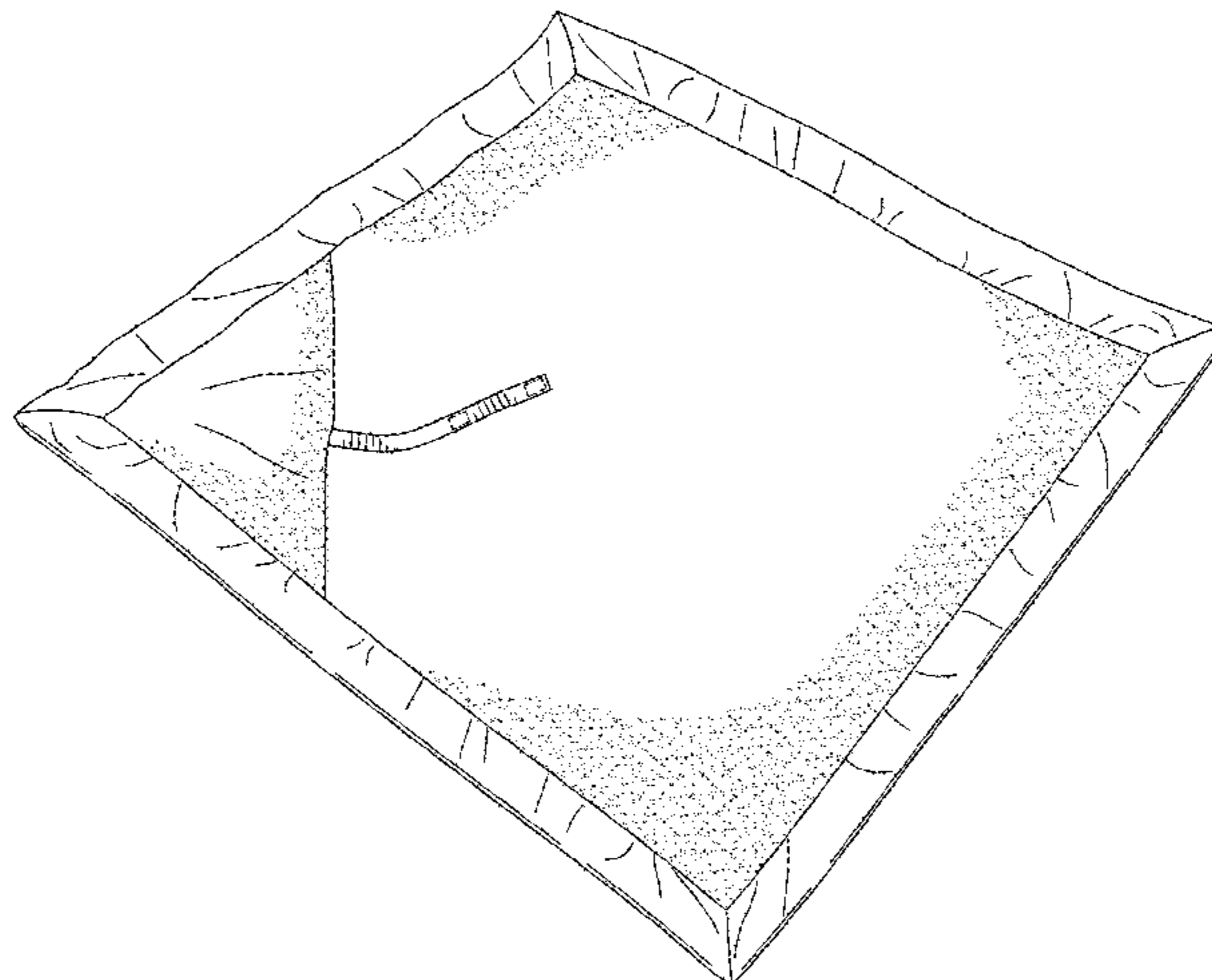
FIG. 13 is a perspective view thereof with an elasticized fold
at the top of the pocket.

(56) **References Cited**

U.S. PATENT DOCUMENTS

2,242,641 A * 5/1941 Berger A41B 13/06
2/111
3,477,065 A * 11/1969 Hoover A41B 13/06
2/69.5

1 Claim, 9 Drawing Sheets



(56)

References Cited

U.S. PATENT DOCUMENTS

D510,195 S *	10/2005	Adams	D6/608	D707,466 S *	6/2014	Lancaster	D6/603
D538,095 S *	3/2007	Turner	D6/603	D707,470 S *	6/2014	George	D6/608
D539,069 S *	3/2007	Hamburg	D6/608	D708,867 S *	7/2014	Rajusth	D6/596
D546,612 S *	7/2007	Makin	D6/595	D708,870 S *	7/2014	George	D6/608
D551,011 S *	9/2007	Van Patten	D5/56	D719,761 S *	12/2014	Ruffin	D6/603
D573,075 S *	7/2008	Eskandry	D12/203	D719,762 S *	12/2014	Ruffin	D6/603
D587,952 S *	3/2009	Skipper	D6/595	D724,351 S *	3/2015	Harris	D6/601
D594,684 S *	6/2009	Wilson	D6/603	D728,271 S *	5/2015	Cohen	D6/601
D637,441 S *	5/2011	Edmunds	D6/611	D728,971 S *	5/2015	Harris	D6/603
D639,596 S *	6/2011	Edgemont	D6/595	D733,463 S *	7/2015	Ruffin	D6/603
D650,539 S *	12/2011	Caprarola	D32/40	D738,138 S *	9/2015	Jackson	D6/610
D657,179 S *	4/2012	Cupples	D6/603	D744,263 S *	12/2015	Quinones	D2/719
D658,422 S *	5/2012	Mandell	D6/608	D774,803 S *	12/2016	Domkam	D6/601
D658,917 S *	5/2012	Harris	D6/582	D785,371 S *	5/2017	Volpe, II	D6/602
D660,070 S *	5/2012	Lugo	D6/611	D825,956 S *	8/2018	Andrews	D6/603
D702,060 S *	4/2014	Harris	D6/601	2005/0039260 A1 *	2/2005	Tyler	A41D 15/04 5/417
				2009/0217455 A1 *	9/2009	Wilson	A41B 13/06 5/494

* cited by examiner

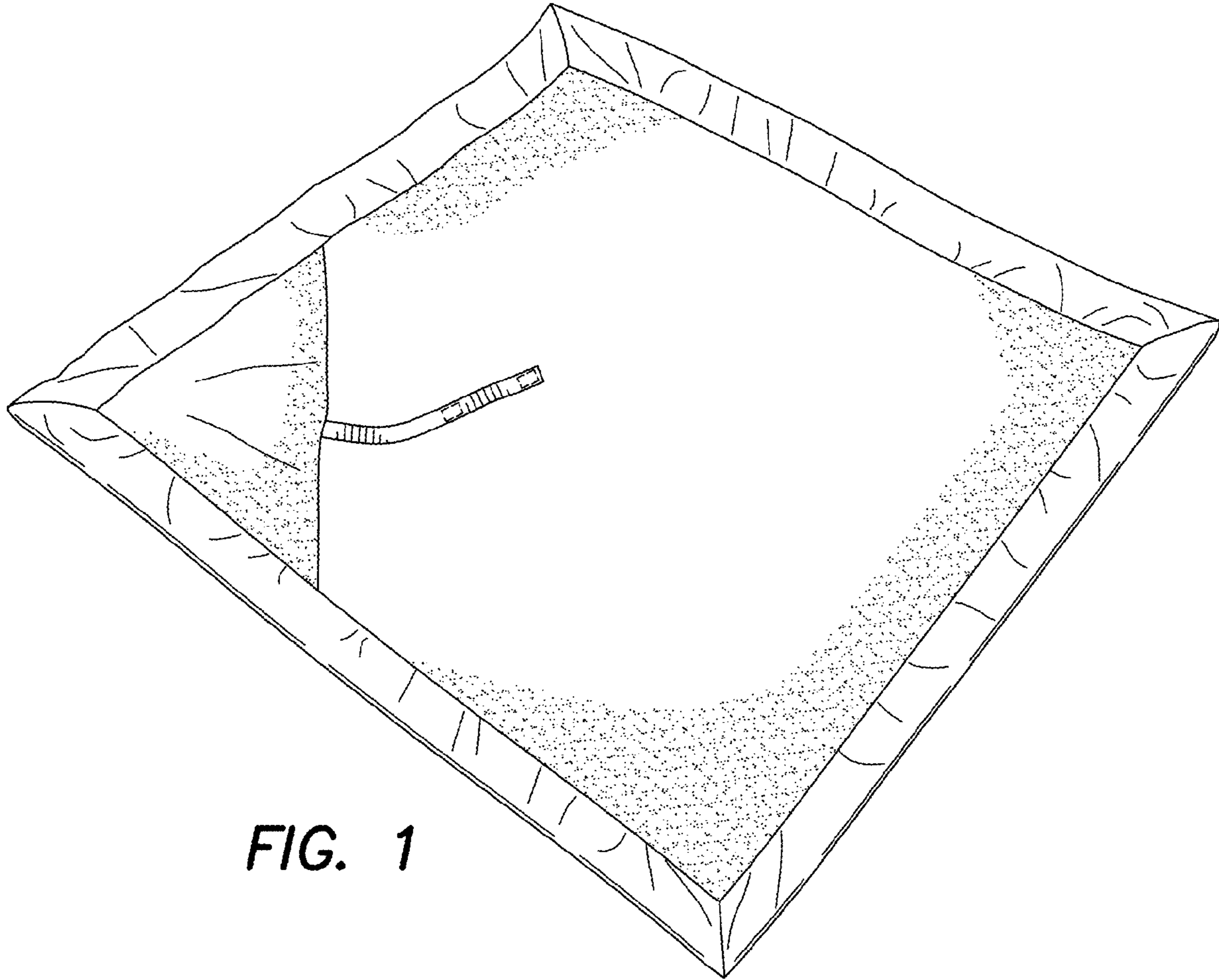


FIG. 1

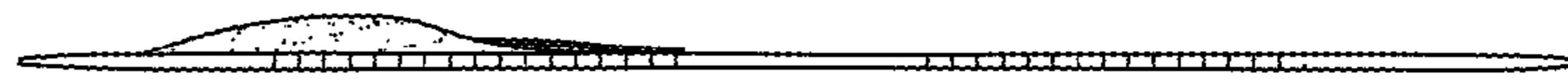


FIG. 3

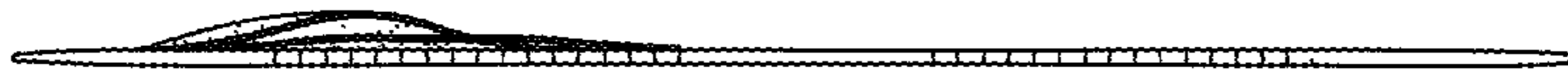


FIG. 4

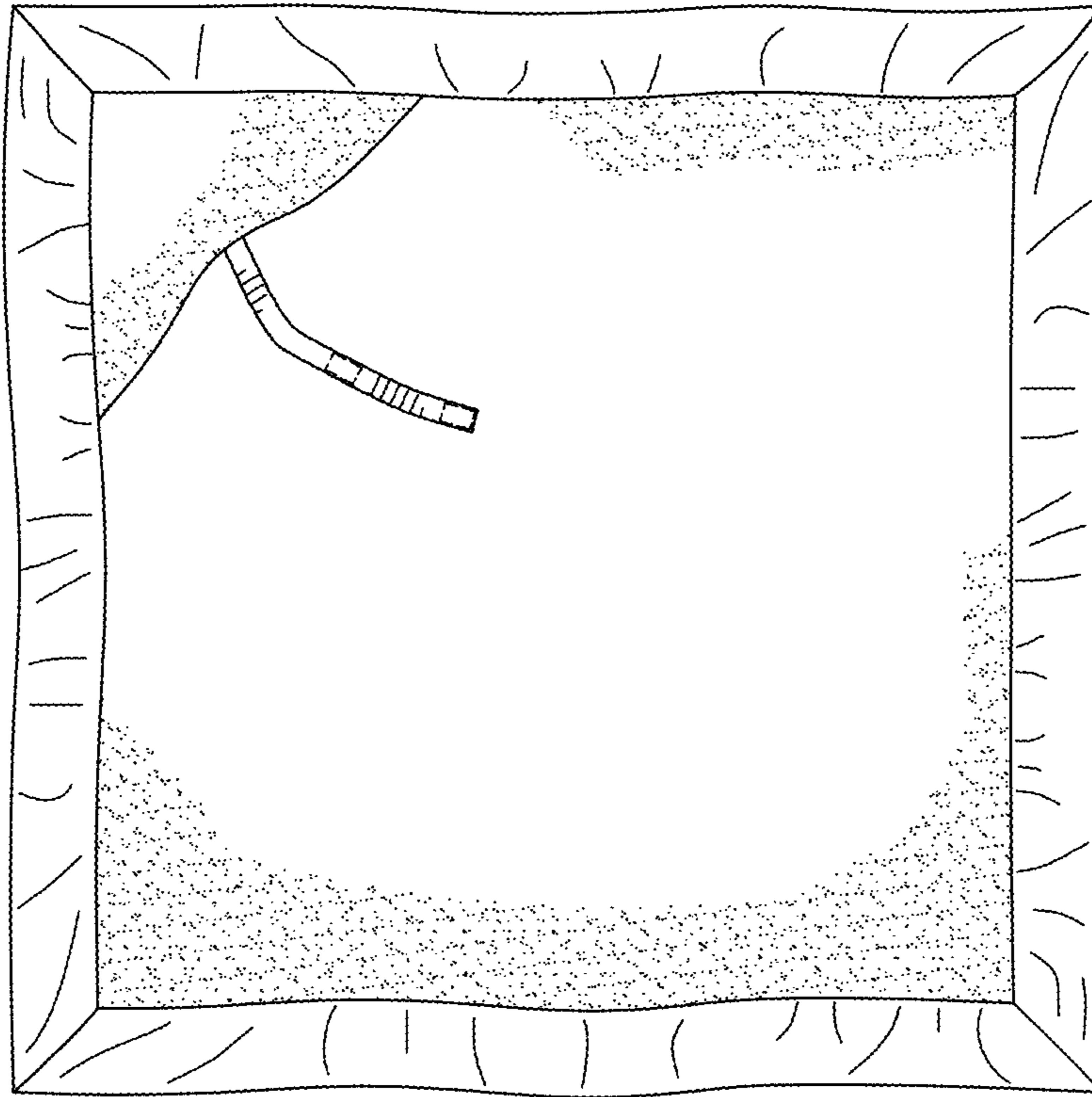


FIG. 2

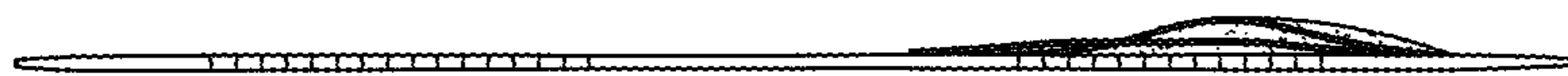


FIG. 5



FIG. 6

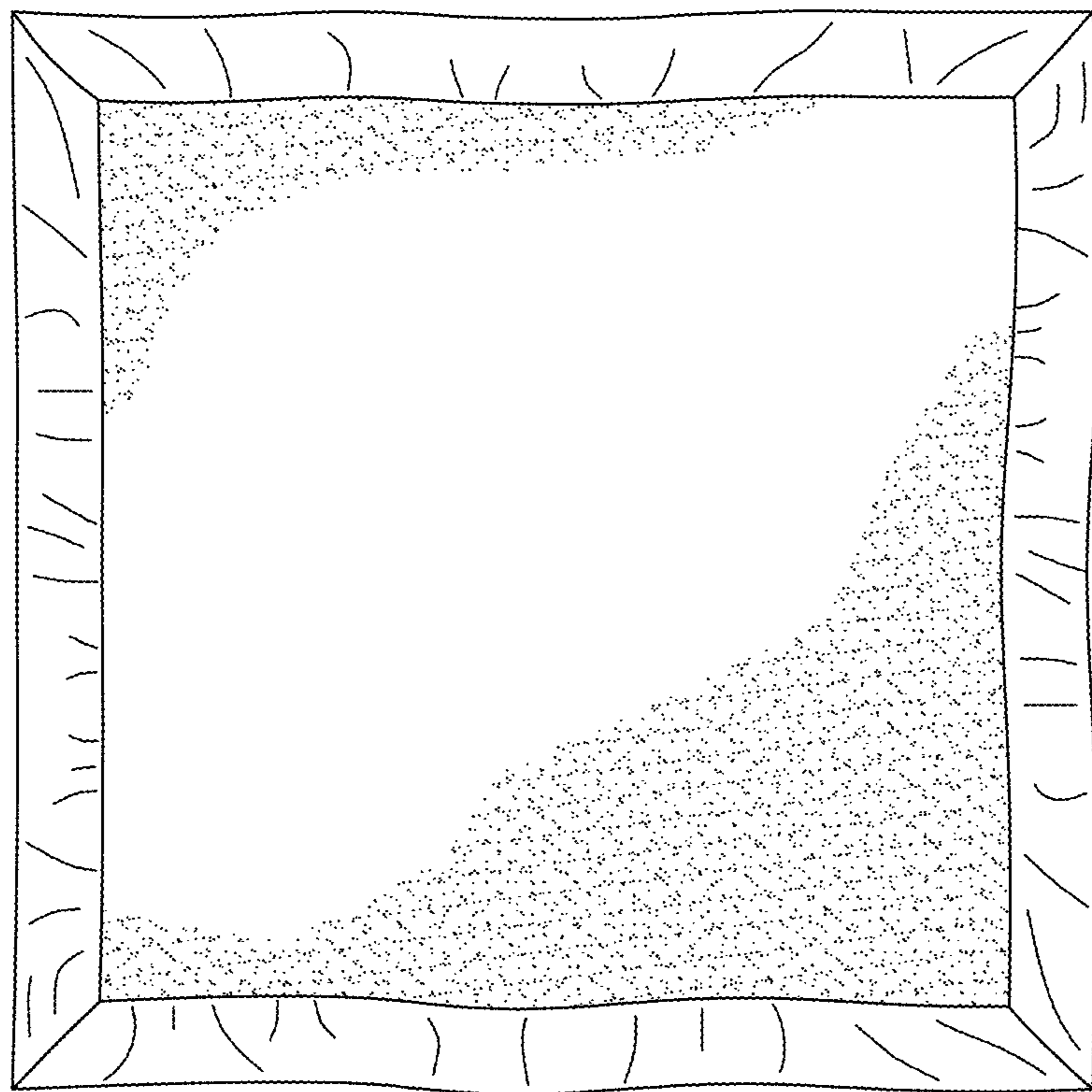


FIG. 7

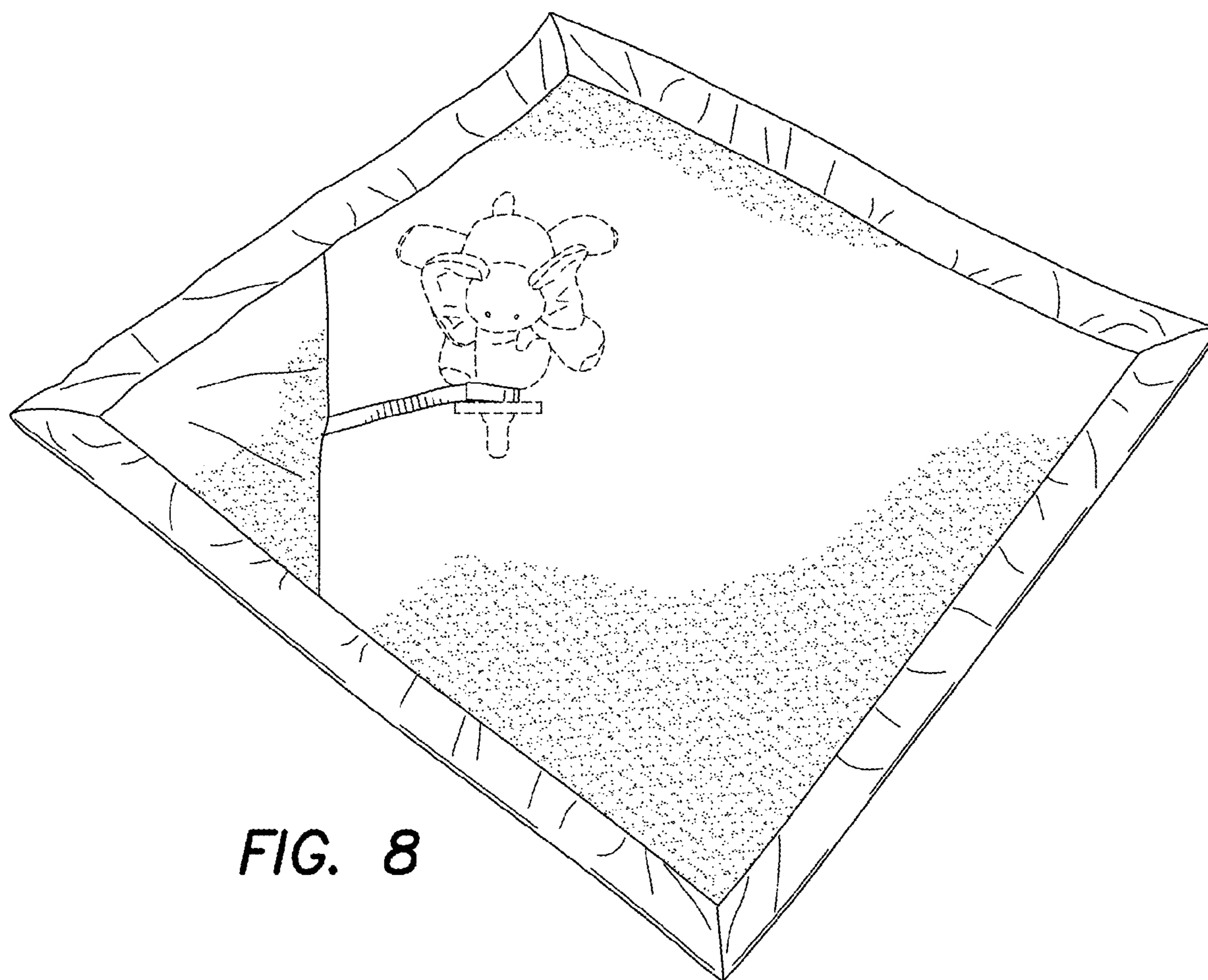


FIG. 8

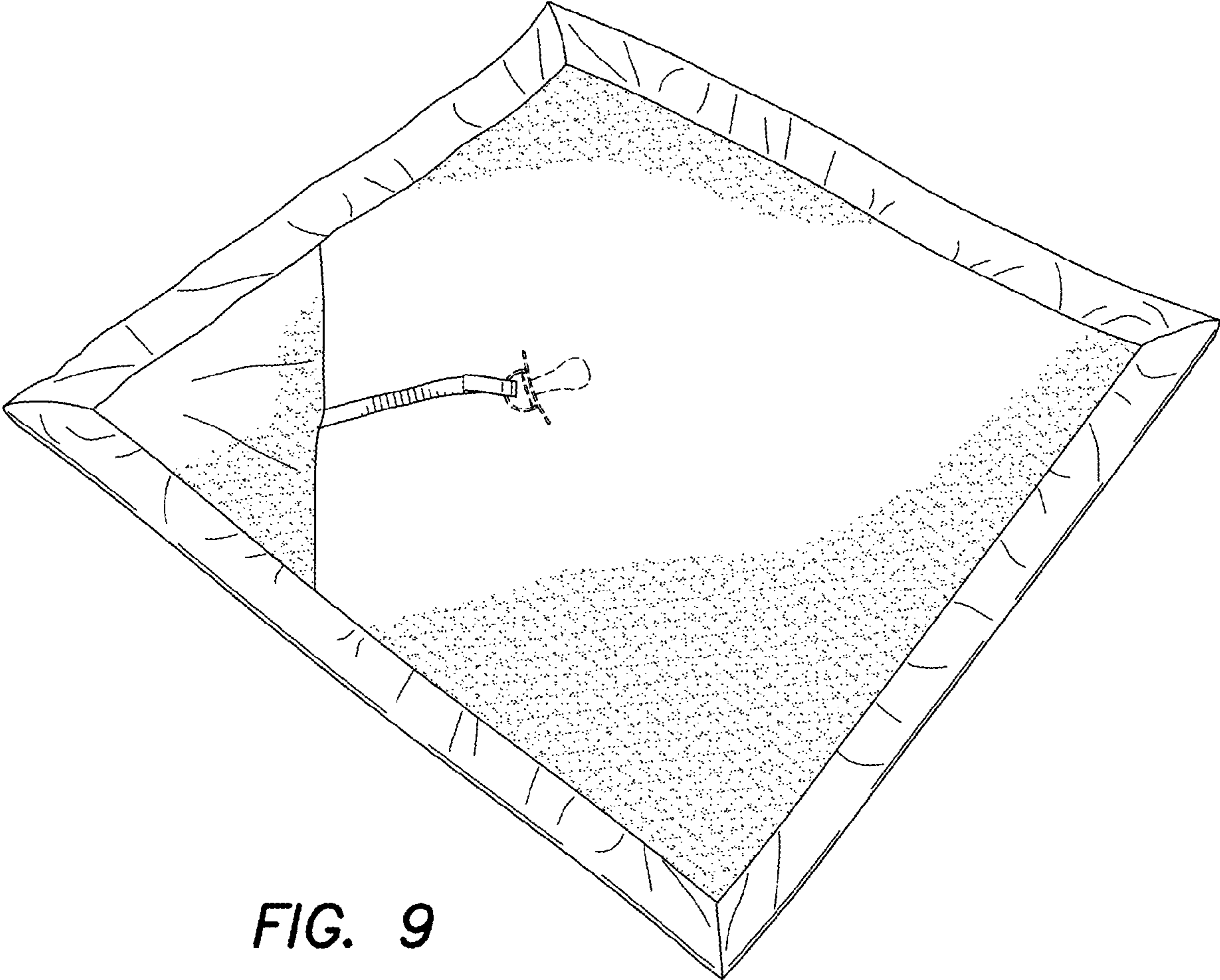


FIG. 9

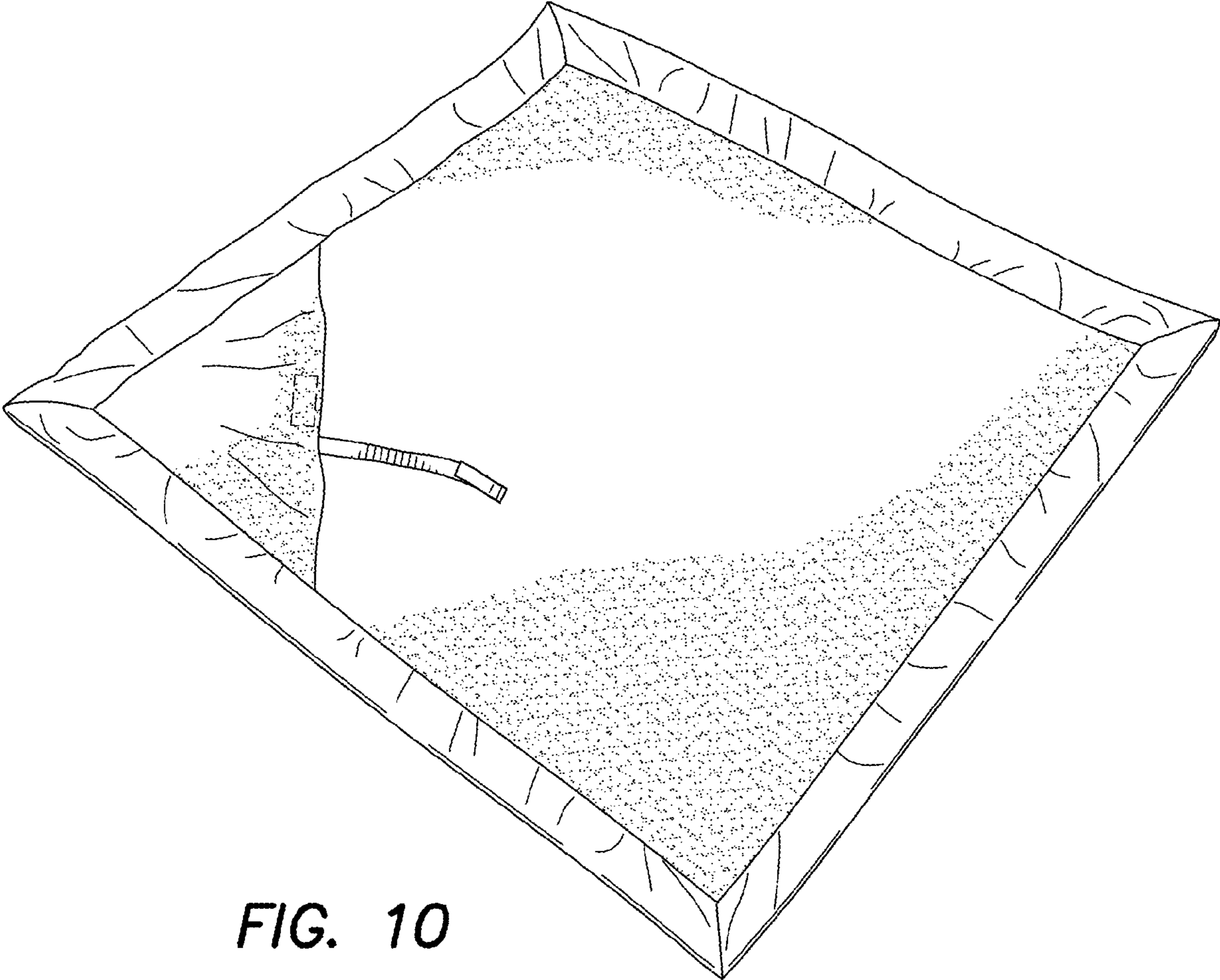


FIG. 10

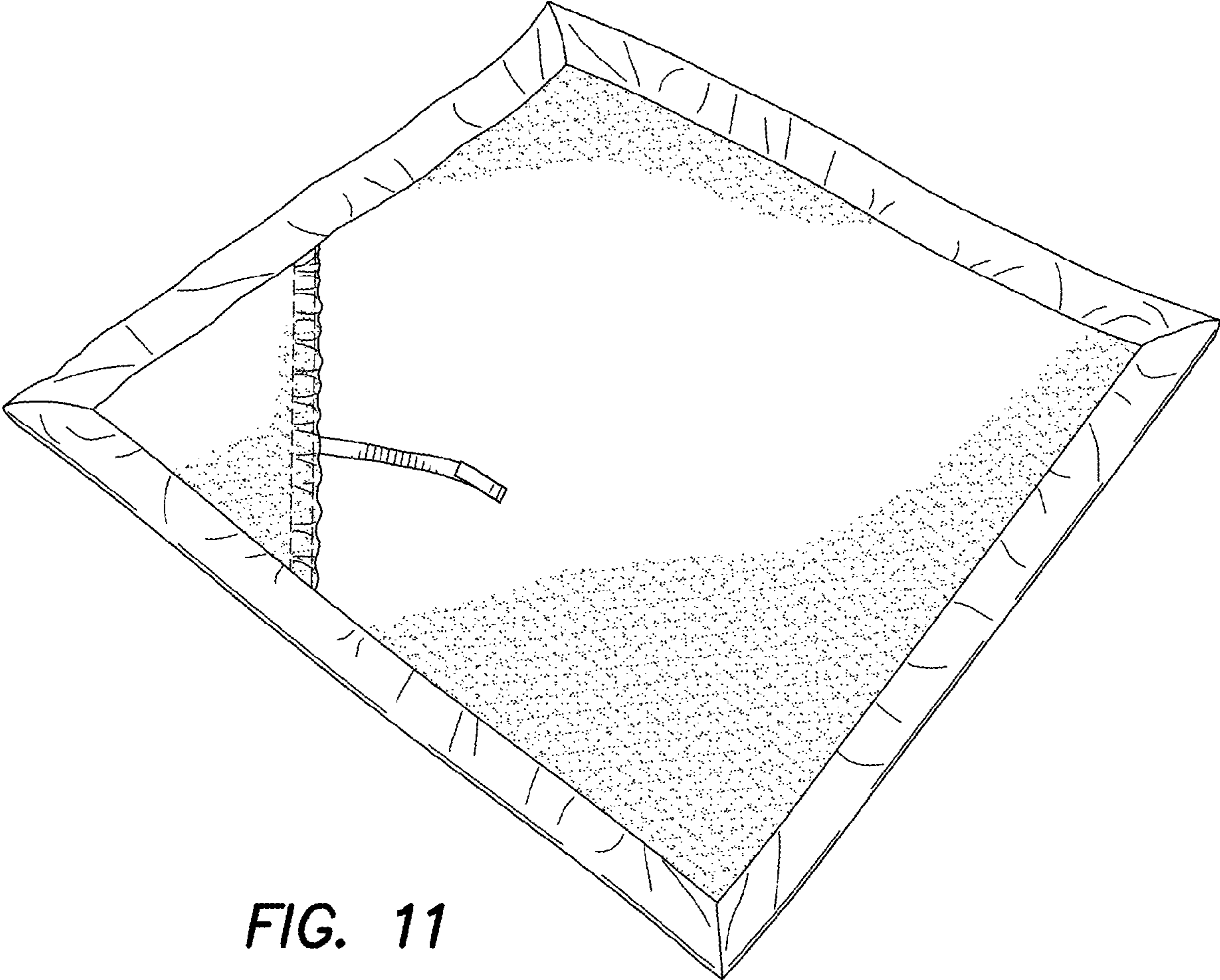


FIG. 11

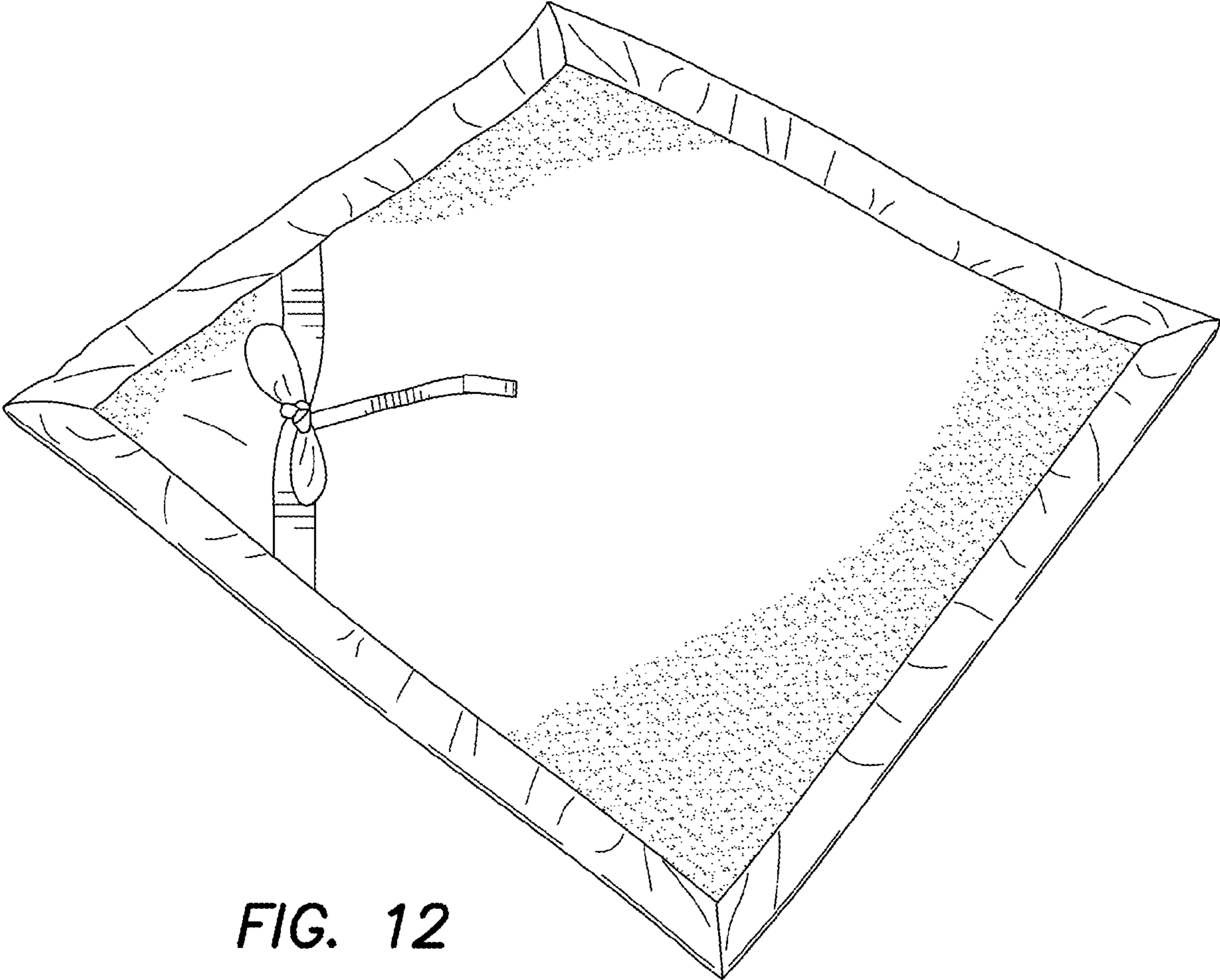


FIG. 12

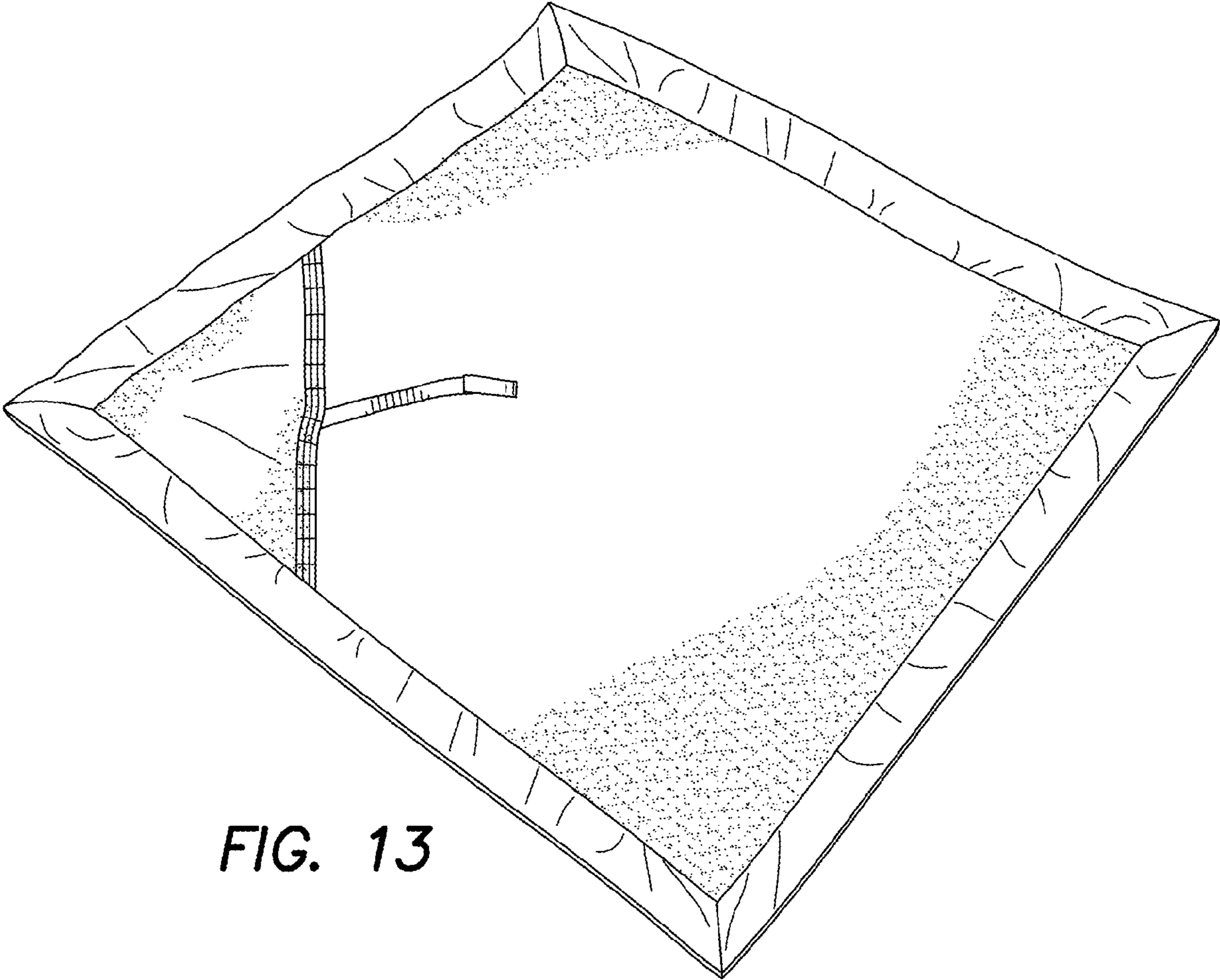


FIG. 13