

US00D878803S

(12) **United States Design Patent** (10) **Patent No.:** **US D878,803 S**
Turner (45) **Date of Patent:** **** Mar. 24, 2020**

(54) **DISINFECTANT DISPENSER**
(71) Applicant: **Tristel PLC**, Snailwell, Newmarket (GB)
(72) Inventor: **Jeremy Turner**, Omokoroa (NZ)
(73) Assignee: **TRISTEL PLC**, New Market (GB)
(**) Term: **15 Years**
(21) Appl. No.: **29/643,844**
(22) Filed: **Apr. 12, 2018**
(51) **LOC (12) Cl.** **23-02**
(52) **U.S. Cl.**
USPC **D6/542; D6/512**
(58) **Field of Classification Search**
USPC D6/542-545, 512; D7/300.2, 397, 398;
D9/434-436, 439, 440, 443, 447, 448,
D9/449, 499, 682, 723; D24/108, 127,
D24/217; 220/377; 221/280, 282, 283;
222/556, 557, 402.13, 281, 181.2, 397
CPC G08B 21/245; G16H 40/20; A61L 2/22;
A61L 2/18; E03D 9/038
See application file for complete search history.

(56) **References Cited**
U.S. PATENT DOCUMENTS
D185,724 S * 7/1959 Terwilliger D9/439
3,716,163 A * 2/1973 Marcel B65D 39/00
215/320
D304,301 S * 10/1989 Moss D9/436
D311,494 S * 10/1990 Zinnbauer D9/448
D327,016 S * 6/1992 Leuenberger D9/435
D419,071 S * 1/2000 Peters D9/449
D445,678 S * 7/2001 Malmborg D9/434
D445,679 S * 7/2001 Malmborg D9/434
D445,681 S * 7/2001 Kimble D9/434
D475,923 S * 6/2003 Renz D9/446
D493,993 S * 8/2004 Roberts, III D6/550

6,905,045 B2 * 6/2005 Yu Chen B65B 67/085
221/33
D527,631 S * 9/2006 Mallet D9/449
D531,031 S * 10/2006 Lussier D9/447
D587,115 S * 2/2009 Capretta D9/434
D715,147 S * 10/2014 Ginzburg D9/449
D763,691 S * 8/2016 Marantis D9/434
D768,490 S * 10/2016 Robinson D9/449
D786,652 S * 5/2017 Lira-Nunez D8/321
D786,966 S * 5/2017 Matsushita D18/56
D795,606 S * 8/2017 Cudworth D6/515
D802,326 S * 11/2017 Beaver D6/515
D806,520 S * 1/2018 Krombein D8/354
D808,263 S * 1/2018 Patel D9/436

(Continued)

Primary Examiner — Nathan M Johnston
(74) *Attorney, Agent, or Firm* — Hayes Soloway PC

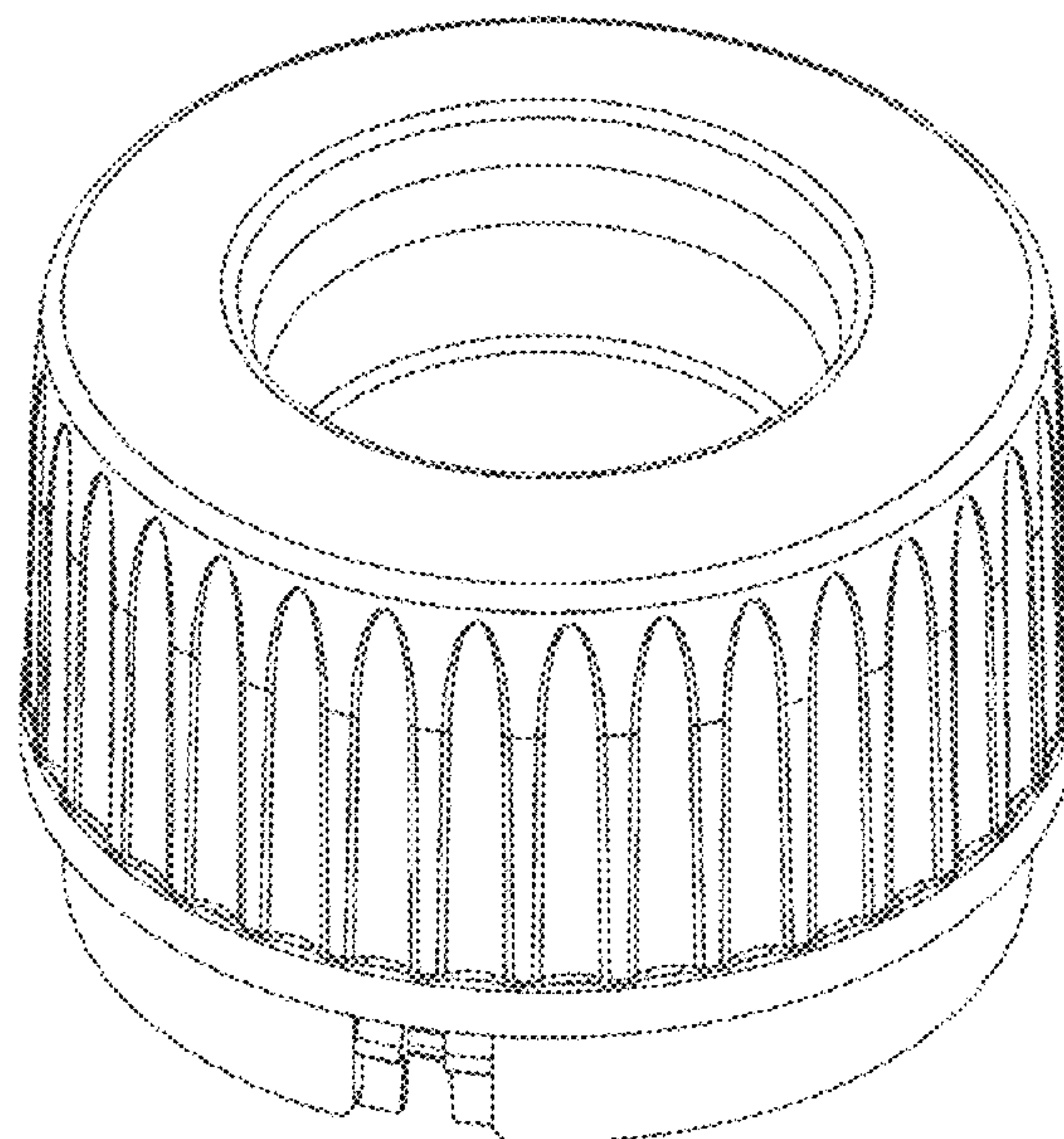
(57) **CLAIM**

I claim the ornamental design for a disinfectant dispenser, as shown and described.

DESCRIPTION

FIG. 1 is a perspective view of a disinfectant dispenser showing the new design;
FIG. 2 is a front elevation view of a disinfectant dispenser thereof;
FIG. 3 is a back elevation view of a disinfectant dispenser thereof;
FIG. 4 is a left side elevation view of a disinfectant dispenser thereof;
FIG. 5 is a right side elevation view of a disinfectant dispenser thereof;
FIG. 6 is a top plan view of a disinfectant dispenser thereof; and,
FIG. 7 is a bottom plan view of a disinfectant dispenser thereof.
The broken lines show portions of the design that form no part of the claimed design.

1 Claim, 7 Drawing Sheets



(56)

References Cited

U.S. PATENT DOCUMENTS

D808,680 S * 1/2018 Dunn D6/515
D843,215 S * 3/2019 Steigelman D9/453

* cited by examiner

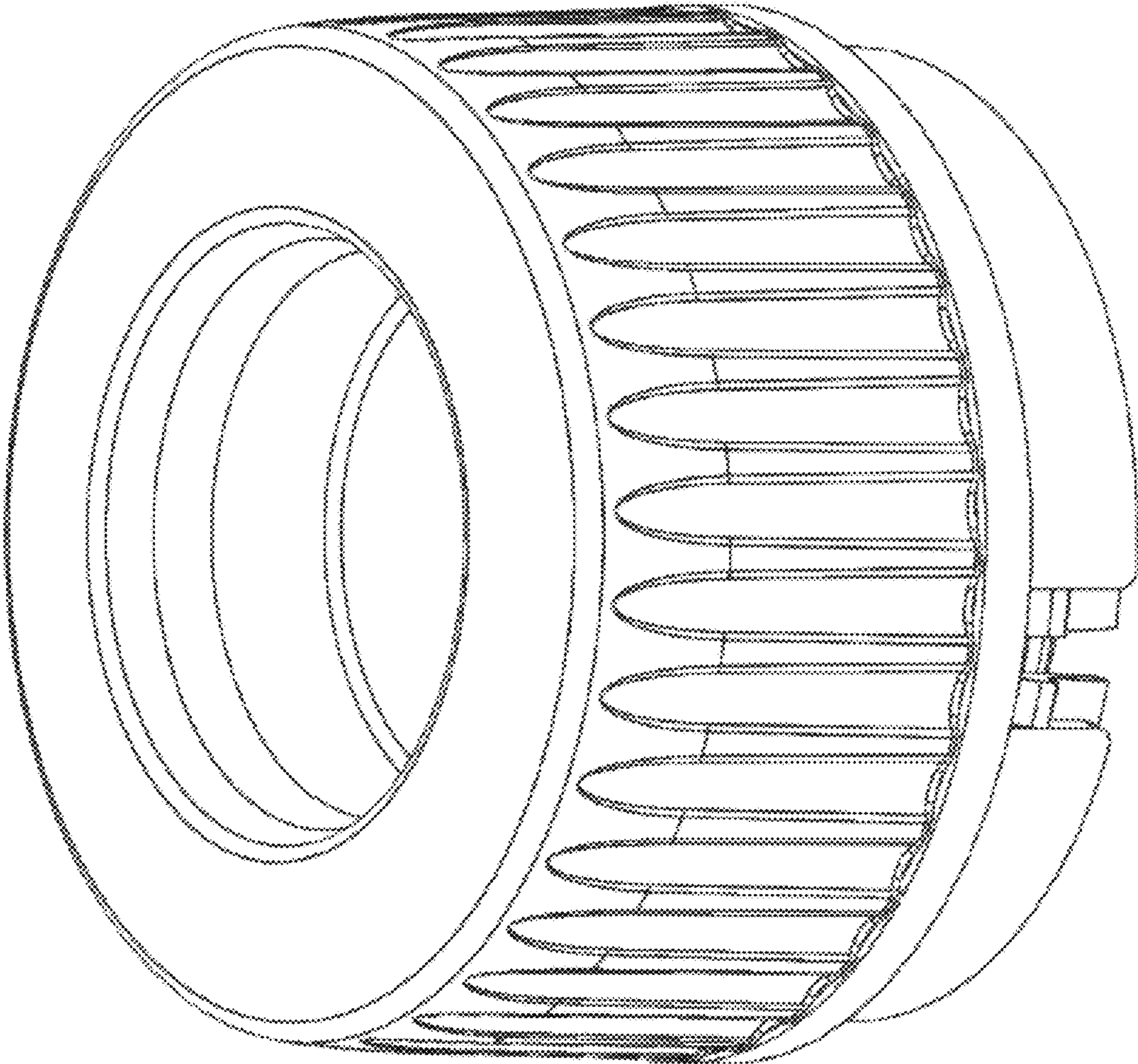


FIG. 1

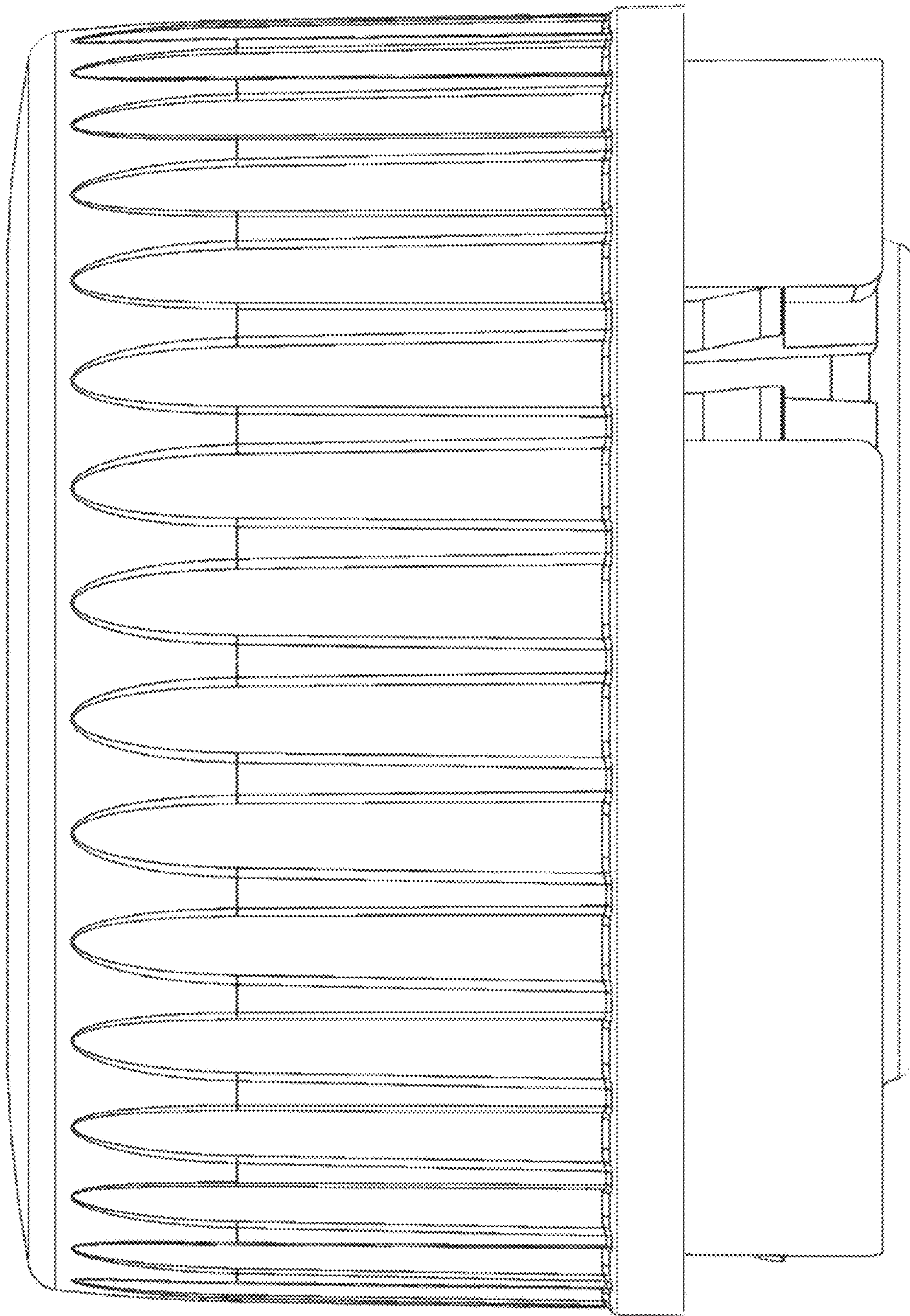


FIG. 2

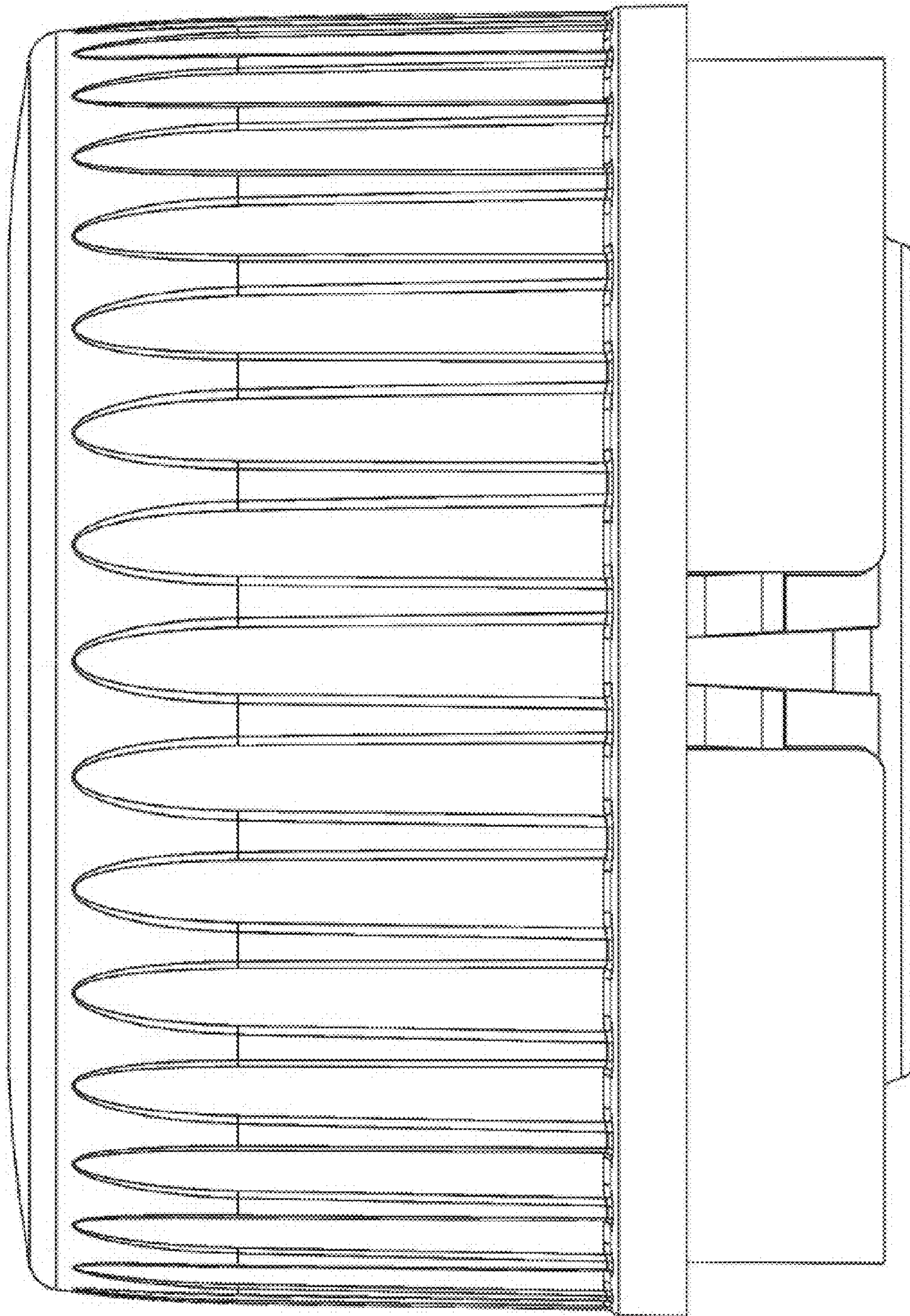


FIG. 3

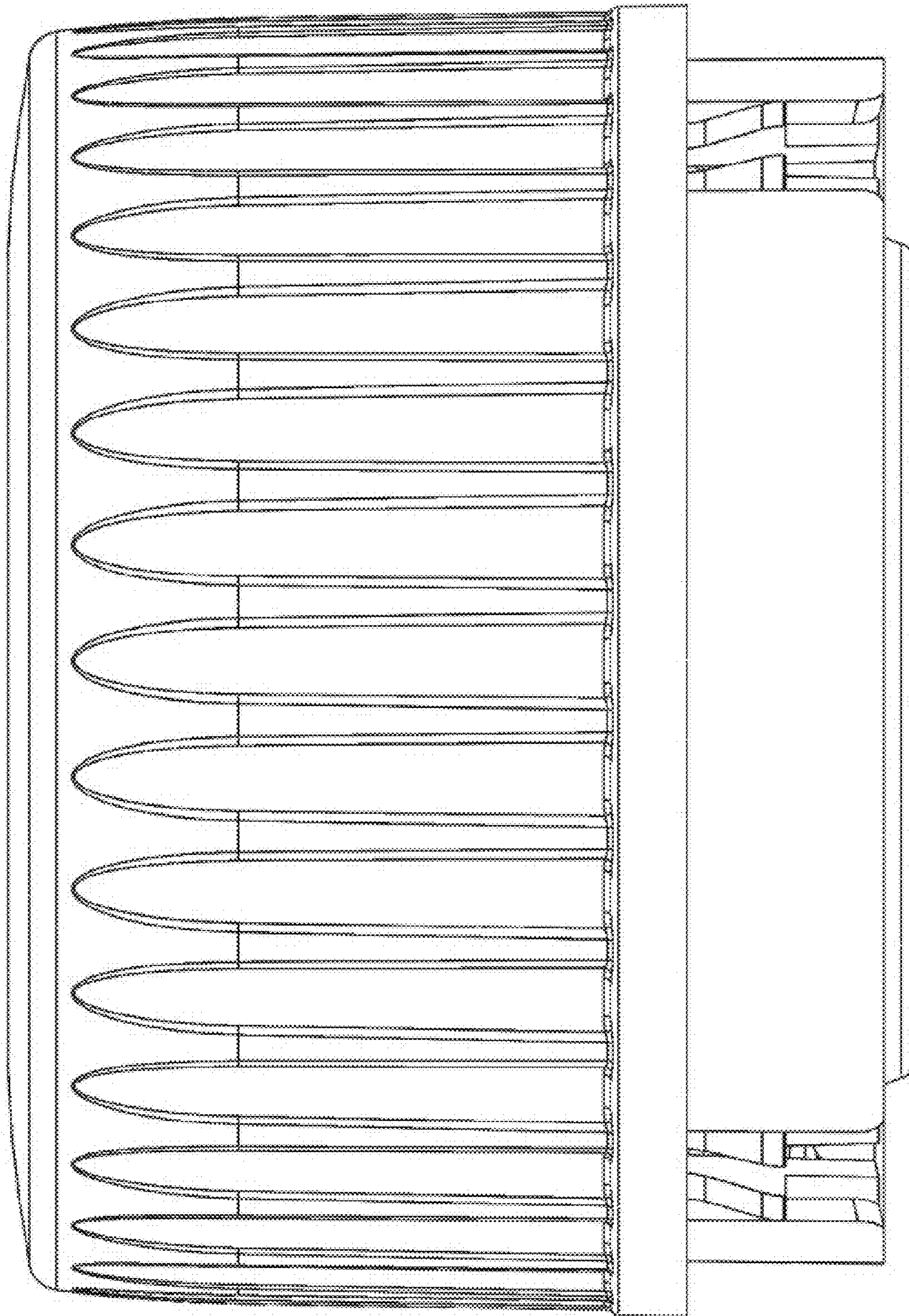


FIG. 4

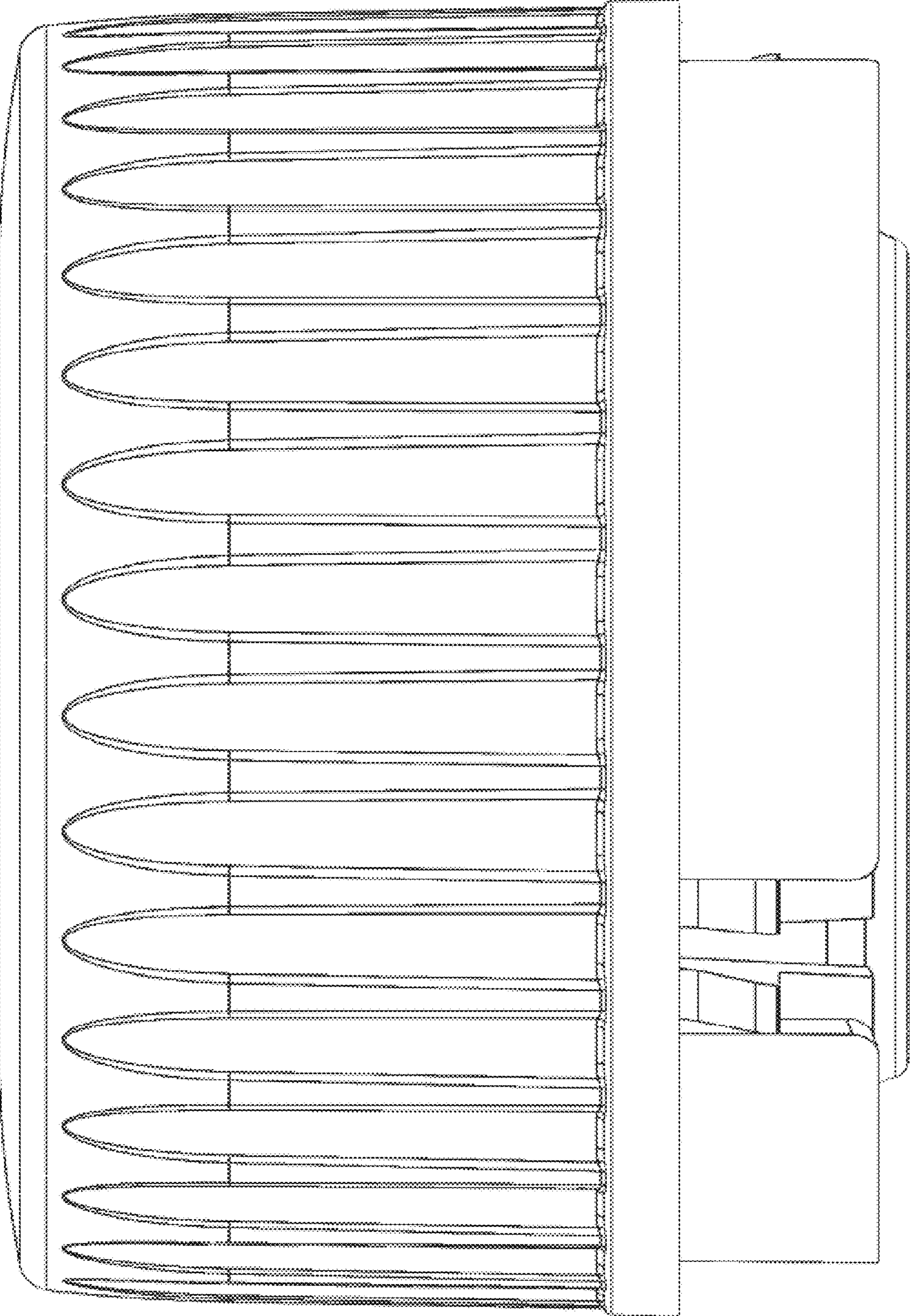


FIG. 5

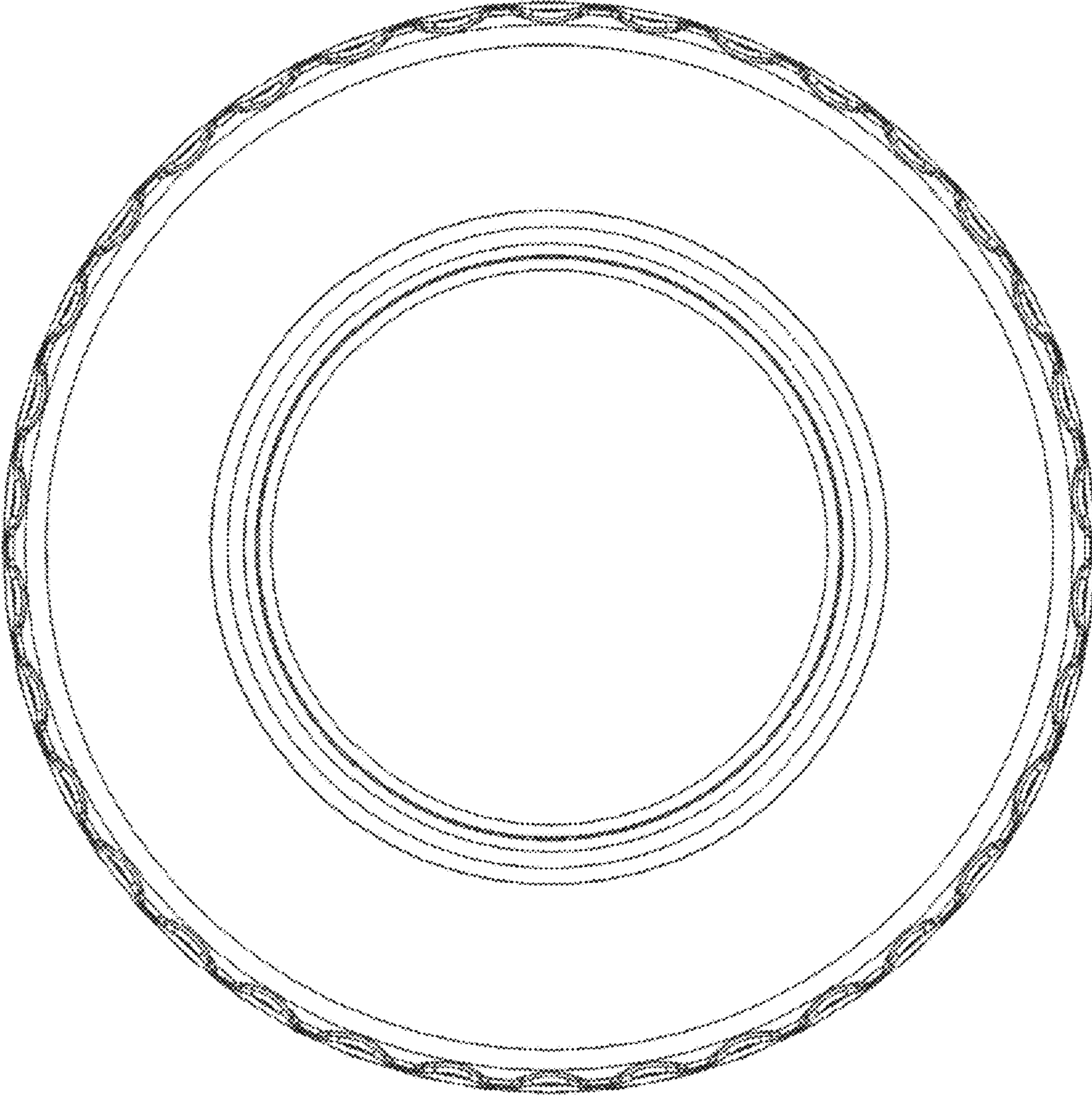


FIG. 6

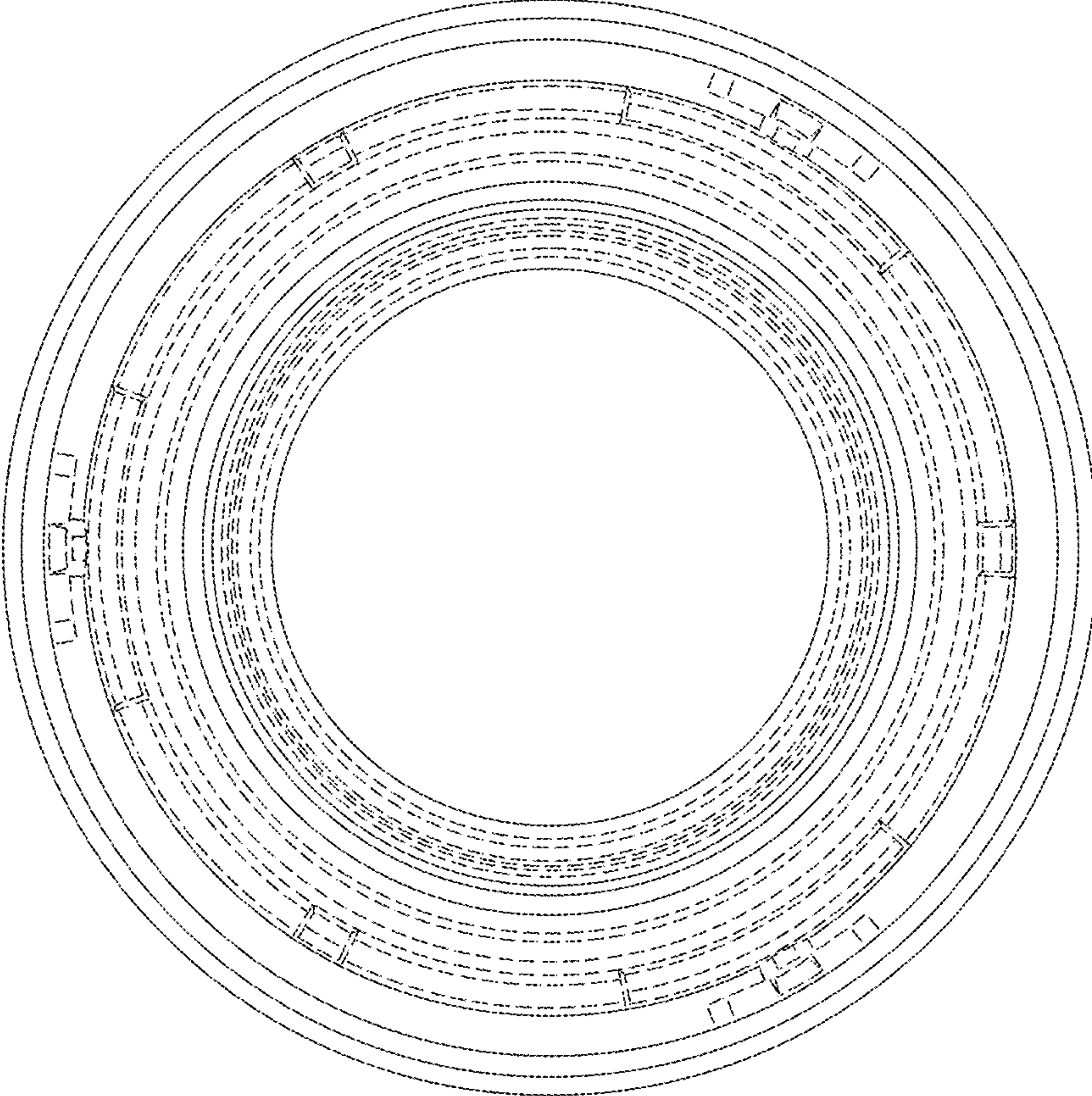


FIG. 7