



US00D878801S

(12) **United States Design Patent**
Wang

(10) **Patent No.:** **US D878,801 S**

(45) **Date of Patent:** **** Mar. 24, 2020**

(54) **RACK**

(71) Applicant: **Ping Kun Wang**, Kaohsiung (TW)

(72) Inventor: **Ping Kun Wang**, Kaohsiung (TW)

(**) Term: **15 Years**

(21) Appl. No.: **29/670,178**

(22) Filed: **Nov. 14, 2018**

(51) **LOC (12) Cl.** **06-04**

(52) **U.S. Cl.**
USPC **D6/512**

(58) **Field of Classification Search**
USPC D7/701-708, 600.1-600.4; D6/457,
D6/682.6, 405, 411, 458, 462, 465, 512;
D9/428, 545, 643; D11/143, 144, 145,
D11/146, 147, 148, 149, 150, 151, 152,
D11/153, 154, 155, 156, 164; D19/77,
D19/80, 81, 84; D25/100; D26/9, 10,
D26/11, 16, 19; D34/1, 2, 4, 5, 6;
D99/19; 211/13.1, 30-33, 71.01, 70.6,
211/70.7, 74, 77-78, 171, 181.1, 205;
248/116, 121, 175, 176.1, 465.1, 511,
248/512, 519
CPC . A01G 9/00; A01G 9/02; A01G 9/028; A01G
9/04; A01G 9/042; A01G 9/045; A01G
9/10; A01G 27/005; A01G 27/006; A01G
27/002; A01G 31/00; A01G 31/001;
A01G 31/02

See application file for complete search history.

(56) **References Cited**

U.S. PATENT DOCUMENTS

D372,810 S	*	8/1996	Hardy	D26/13
D401,819 S	*	12/1998	Doret, Jr.	D7/600.2
D444,359 S	*	7/2001	Levy	D7/704
D686,465 S	*	7/2013	Goodman	D7/600.4
D845,661 S	*	4/2019	McGehee	D6/405
D862,106 S	*	10/2019	Ciobotaru	D6/512

* cited by examiner

Primary Examiner — Wan Laymon

Assistant Examiner — Mark Booker

(74) *Attorney, Agent, or Firm* — Thomas J. Nikolai;
DeWitt LLP

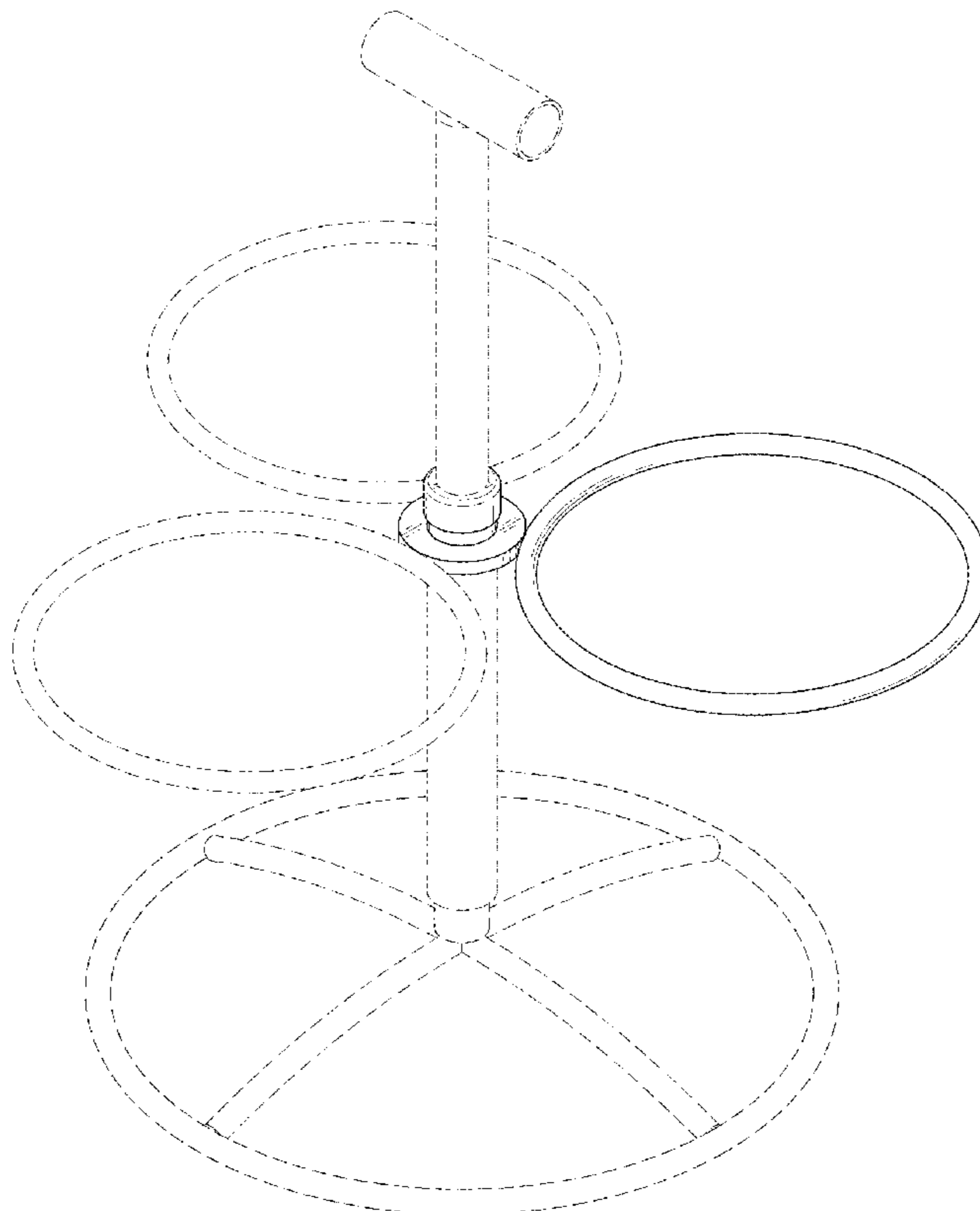
(57) **CLAIM**

The ornamental design for a rack, as shown and described.

DESCRIPTION

FIG. 1 is a perspective view of a rack showing my new design;
FIG. 2 is a front elevational view thereof;
FIG. 3 is a rear elevational view thereof;
FIG. 4 is a left side elevation view thereof;
FIG. 5 is a right side elevation view thereof;
FIG. 6 is a top plan view thereof; and,
FIG. 7 is a bottom plan view thereof.
The broken lines illustrate portions of the rack that form no part of the claimed design.

1 Claim, 7 Drawing Sheets



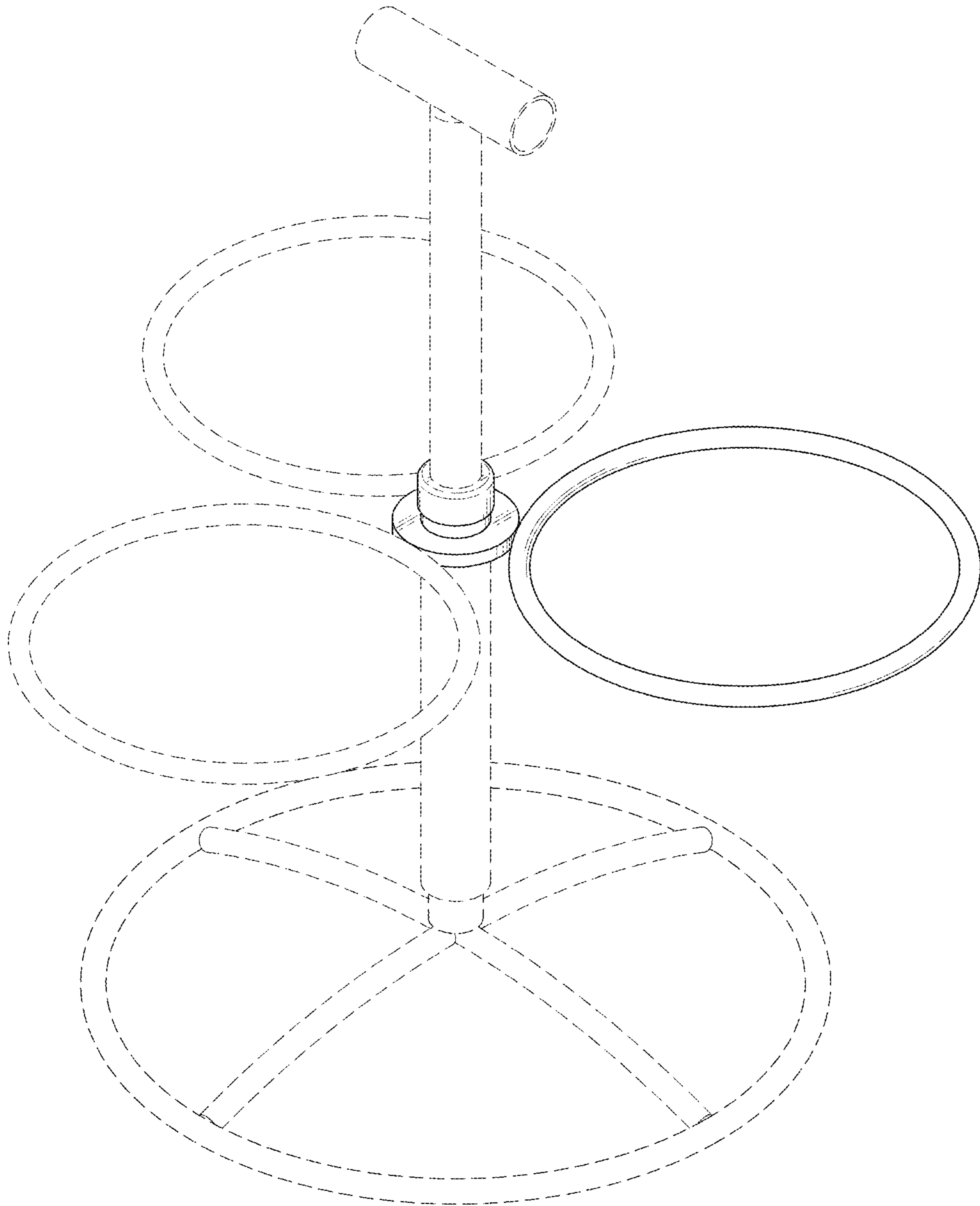


FIG. 1

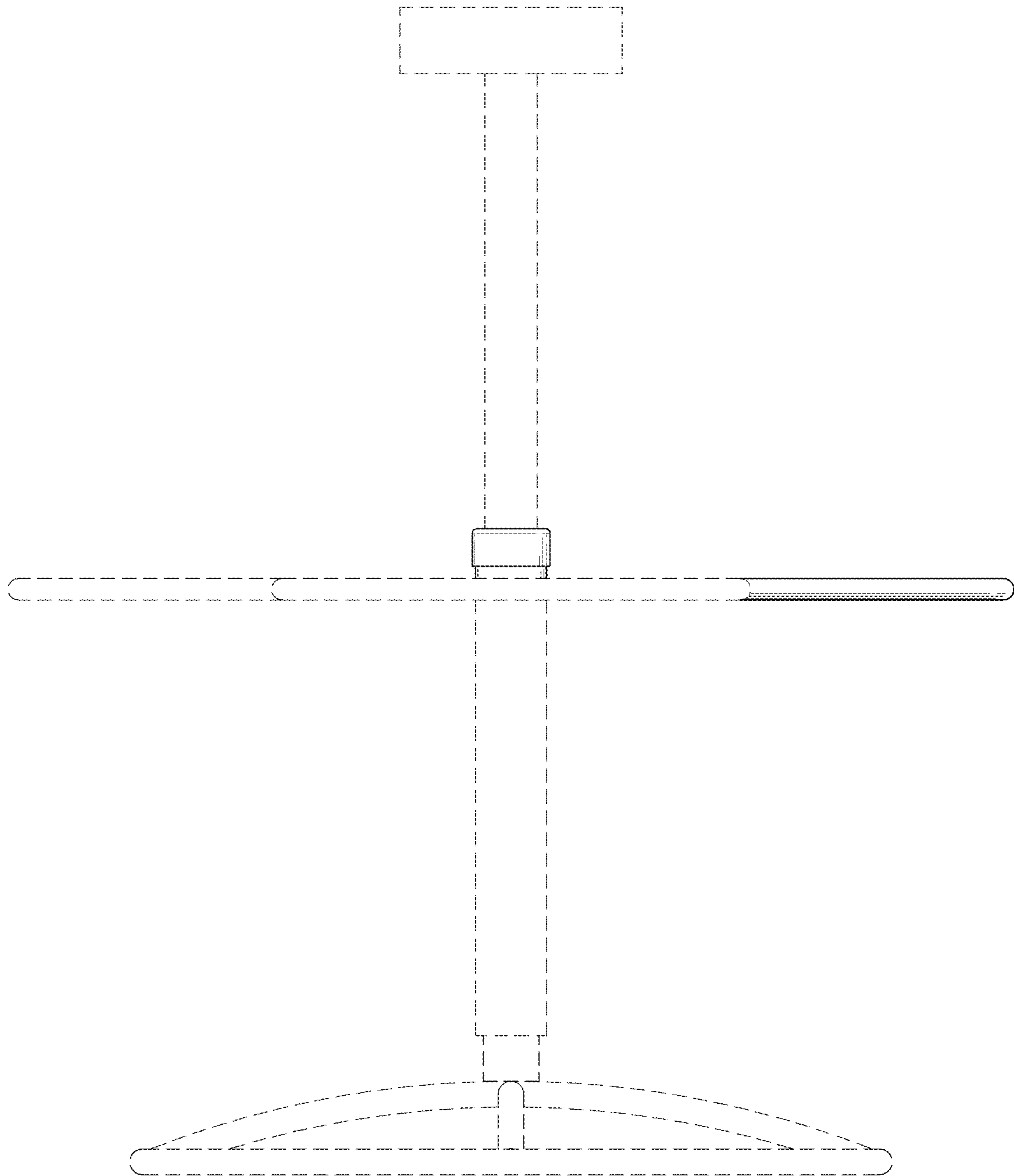


FIG. 2

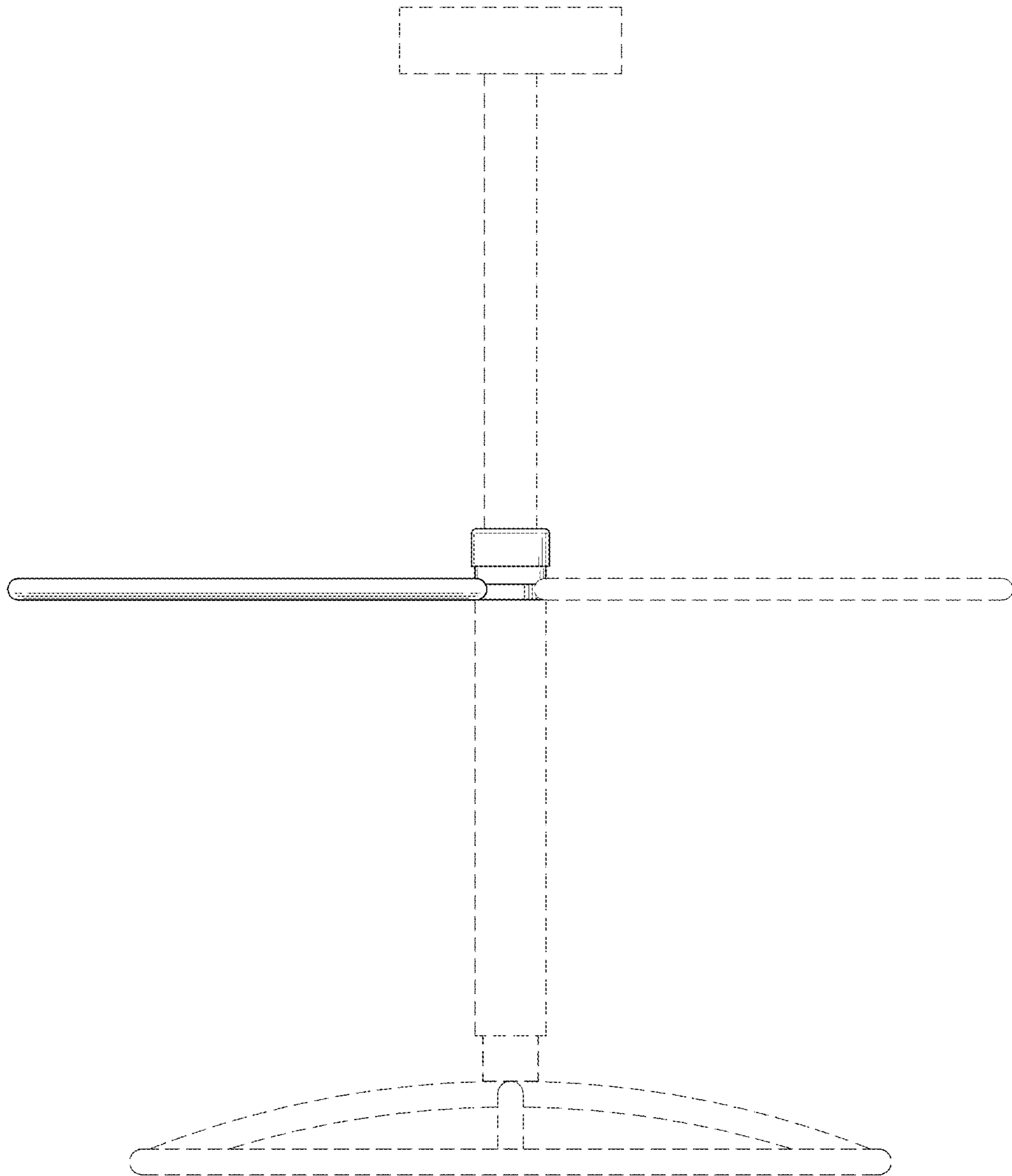


FIG.3

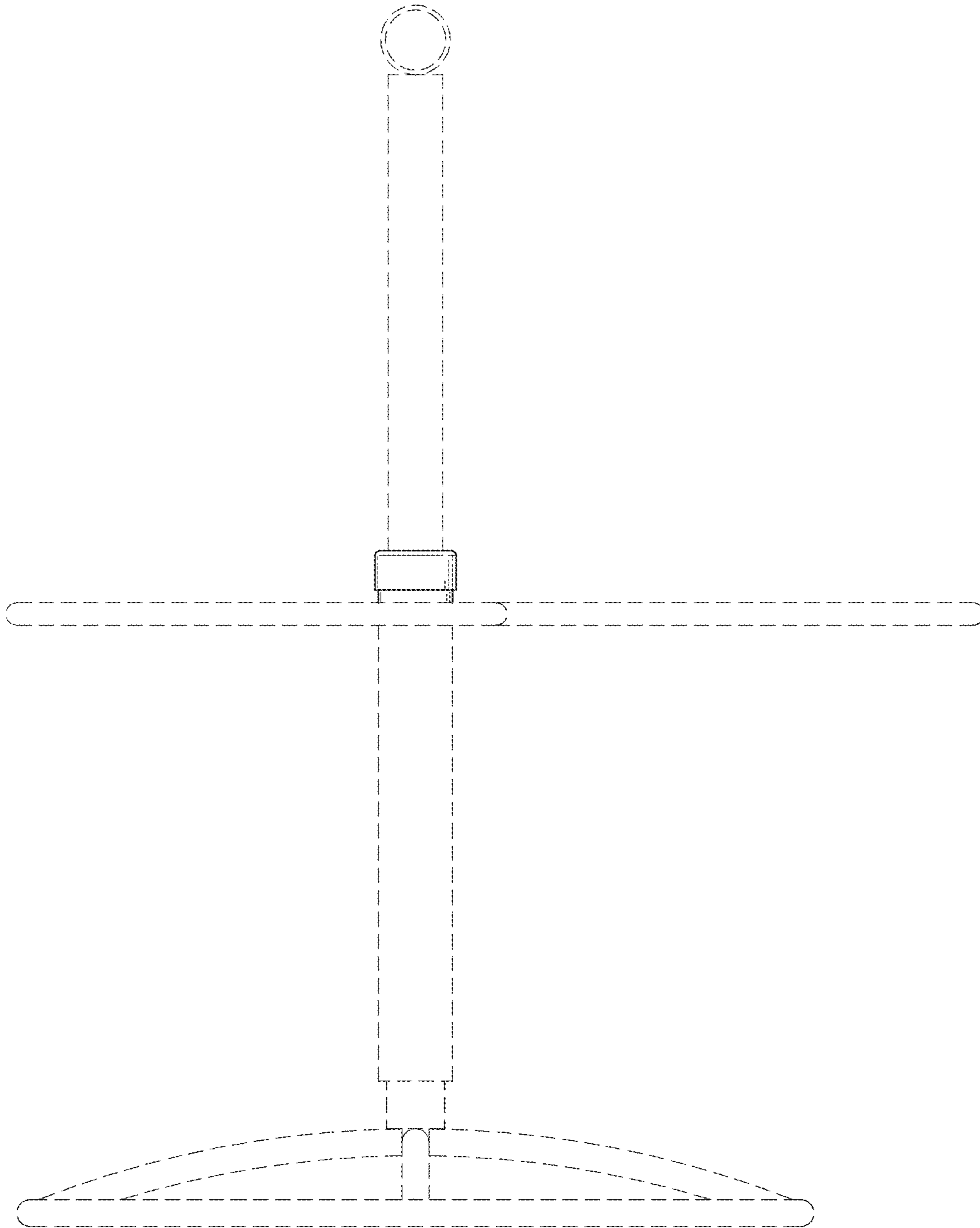


FIG. 4

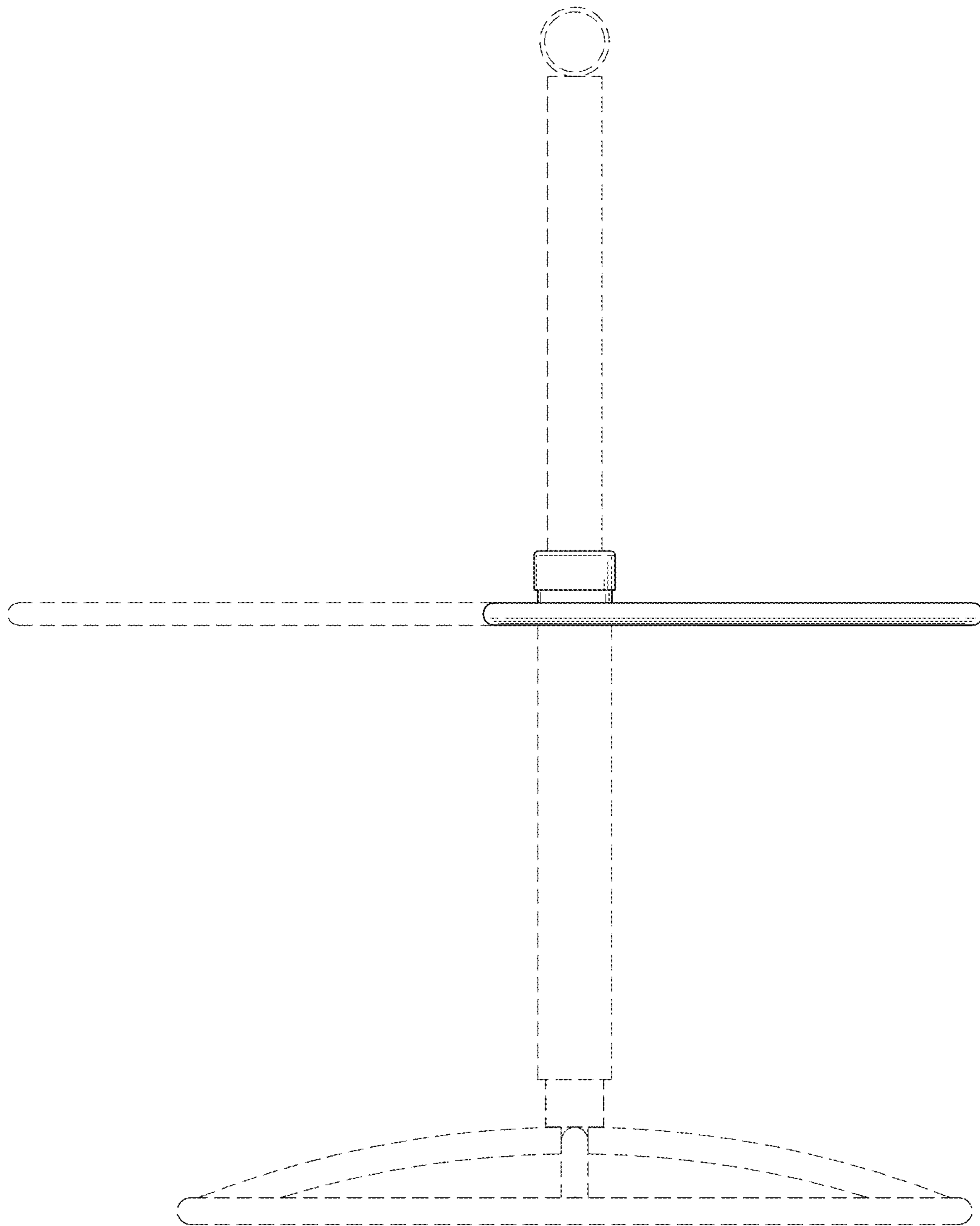


FIG. 5

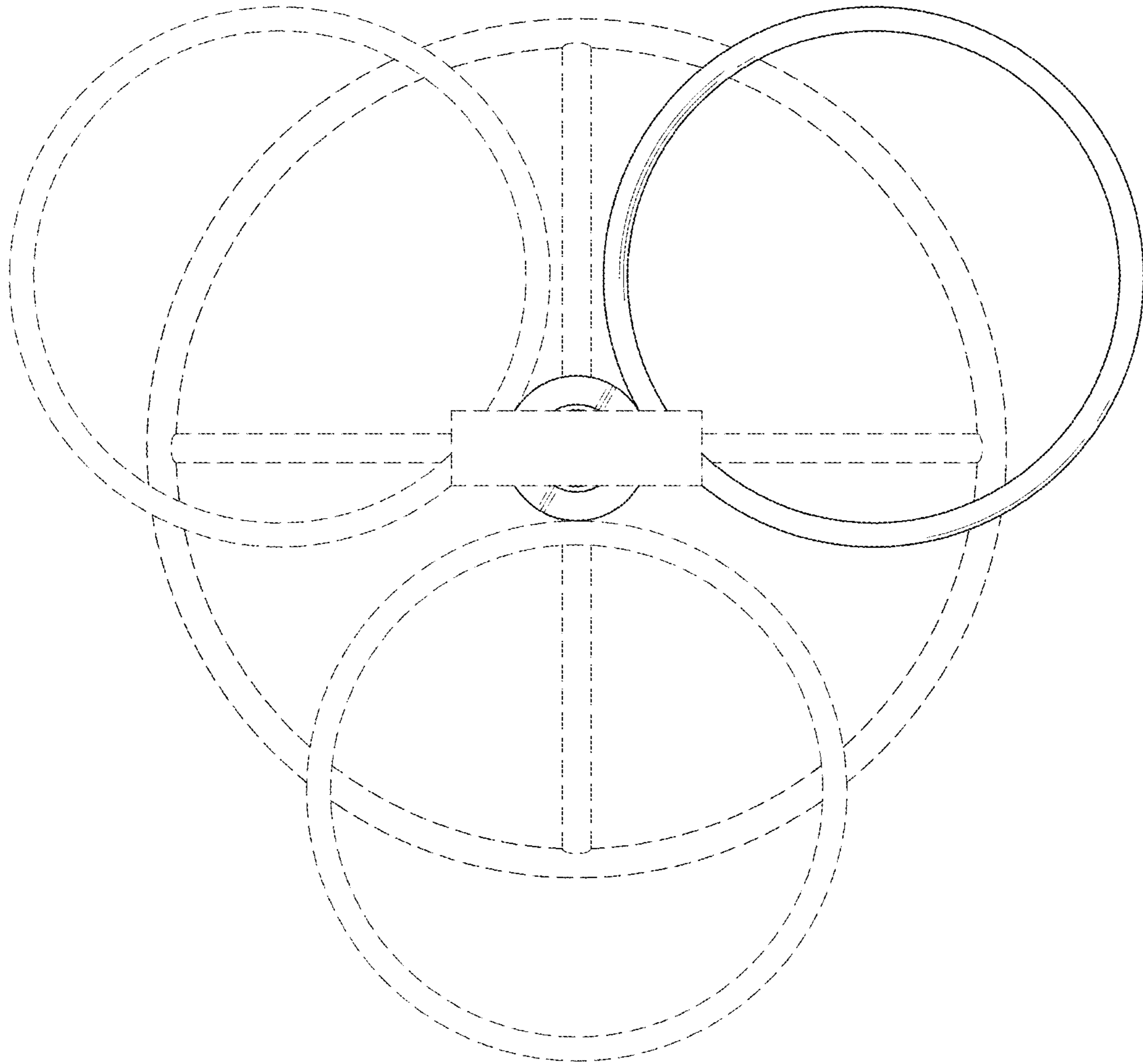


FIG. 6

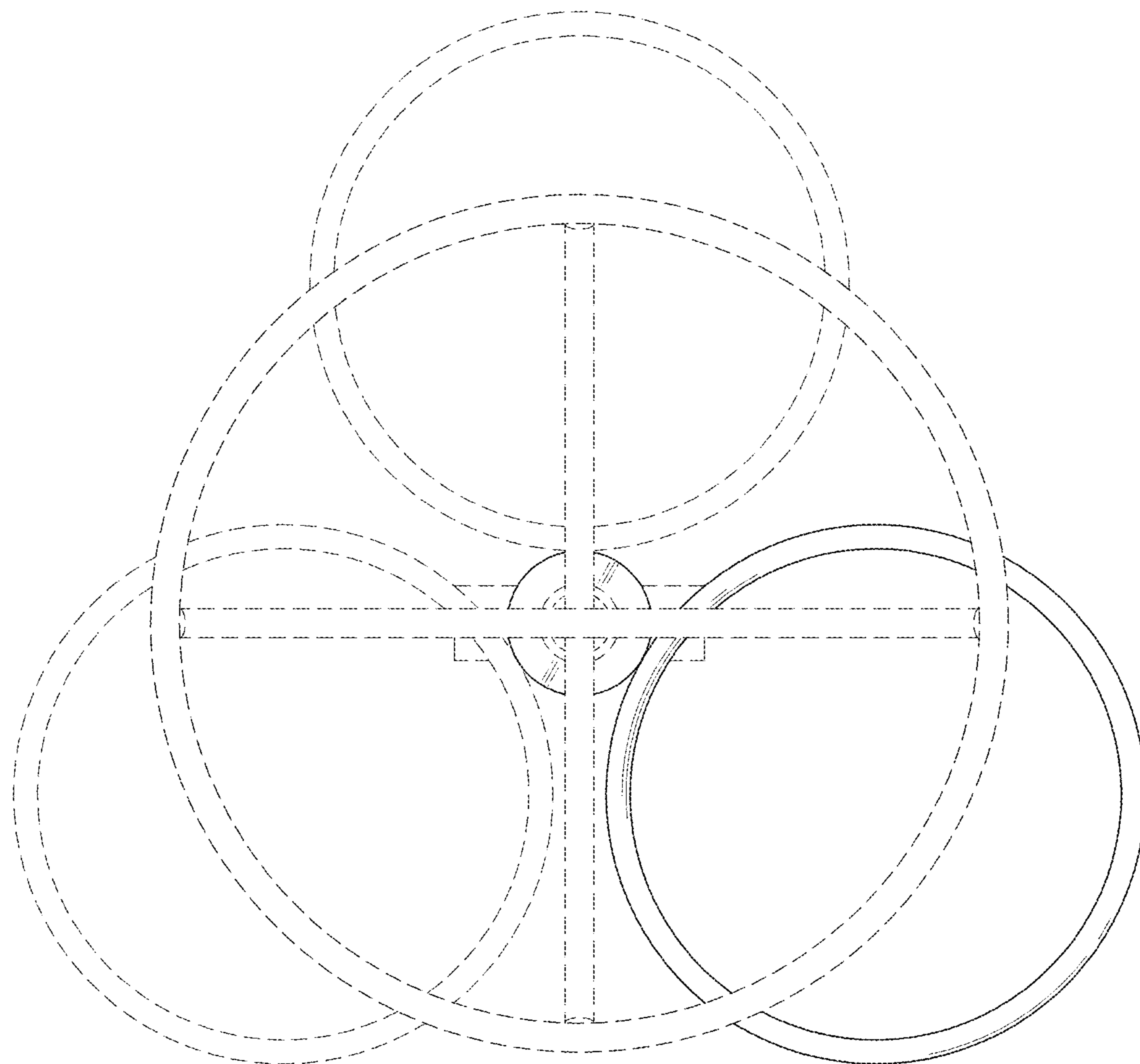


FIG. 7