



US00D878800S

(12) **United States Design Patent**
Sumlin

(10) **Patent No.:** **US D878,800 S**

(45) **Date of Patent:** **** Mar. 24, 2020**

(54) **BED**

(71) Applicant: **Charles Neal Sumlin**, Fort Lauderdale,
FL (US)

(72) Inventor: **Charles Neal Sumlin**, Fort Lauderdale,
FL (US)

(73) Assignee: **AMINI INNOVATION**
CORPORATION, Pico Rivera, CA (US)

(**) Term: **15 Years**

(21) Appl. No.: **29/667,728**

(22) Filed: **Oct. 24, 2018**

(51) **LOC (12) Cl.** **06-02**

(52) **U.S. Cl.**
USPC **D6/393; D6/718.23**

(58) **Field of Classification Search**
USPC D6/382-383, 393-395, 718, 718.13,
D6/718.15, 718.2, 718.21, 718.22, 718.23
CPC A47C 19/00; A47C 19/021; A47C 19/022;
A47C 31/006

See application file for complete search history.

(56) **References Cited**

U.S. PATENT DOCUMENTS

D542,566 S *	5/2007	Boerner	D6/393
D655,938 S *	3/2012	Kozel	D6/393
D791,495 S *	7/2017	Everson	D6/393
D798,077 S *	9/2017	Schmitt	D6/393

* cited by examiner

Primary Examiner — Cathron C Brooks

(74) *Attorney, Agent, or Firm* — Cislo & Thomas, LLP

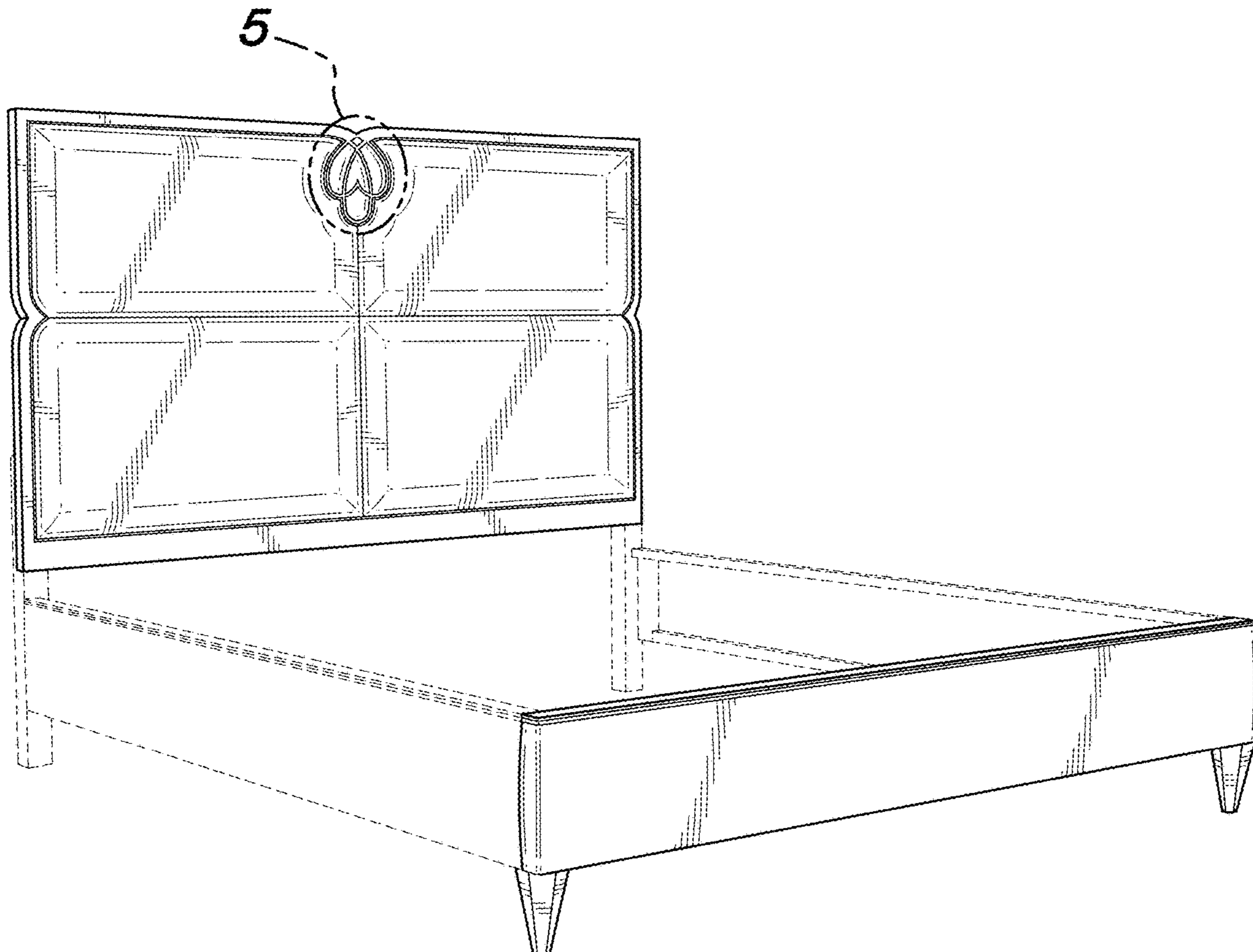
(57) **CLAIM**

I claim the ornamental design for a bed, as shown and described.

DESCRIPTION

FIG. 1 is a front perspective view of my bed;
FIG. 2 is a front view thereof;
FIG. 3 is a right side view, the left side (not shown) is a mirror image thereof;
FIG. 4 is a top view thereof; and,
FIG. 5 is a close up view of the area designated as "5" in FIG. 1.
The broken lines illustrate portions of the bed that form no part of the claimed design.

1 Claim, 5 Drawing Sheets



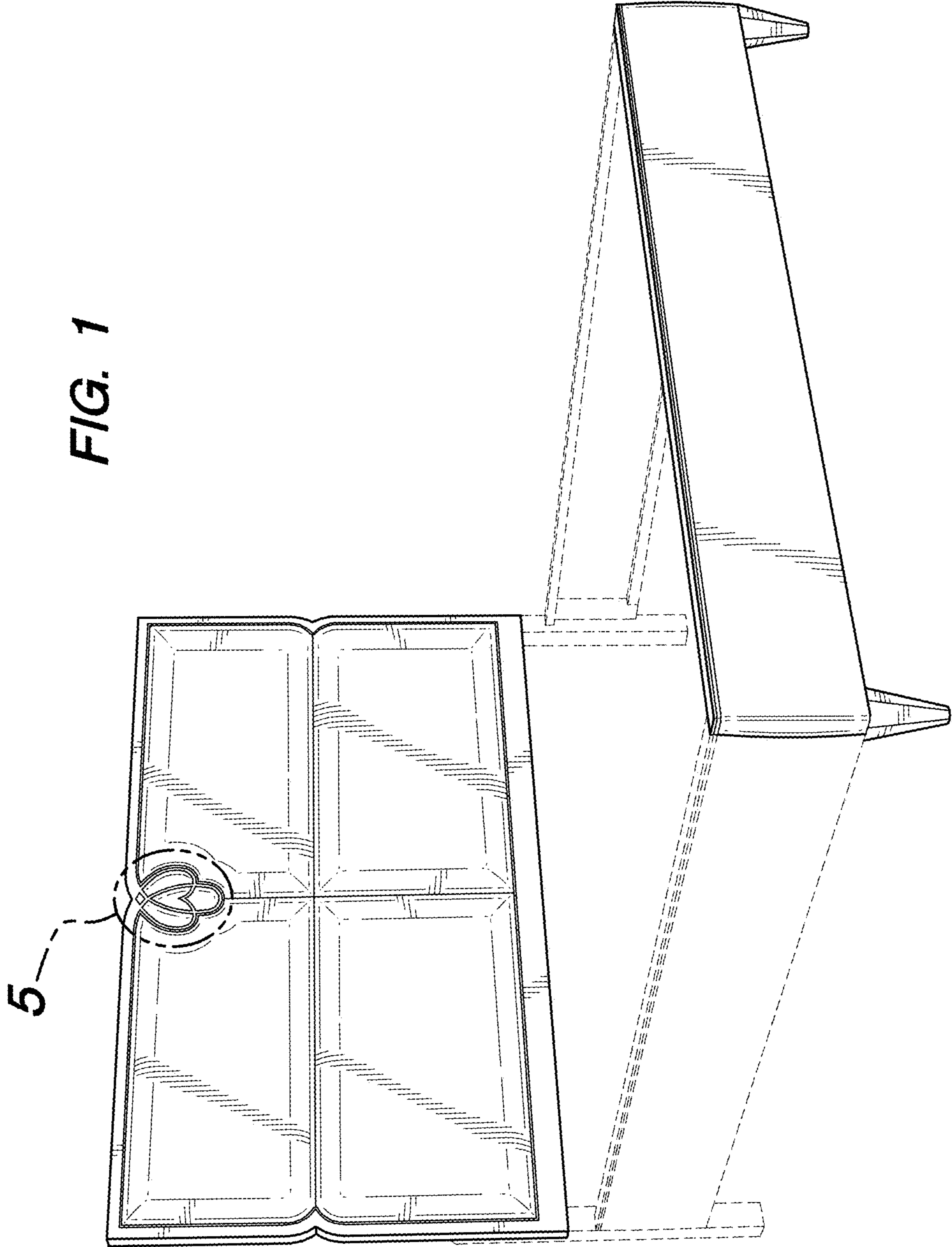


FIG. 1

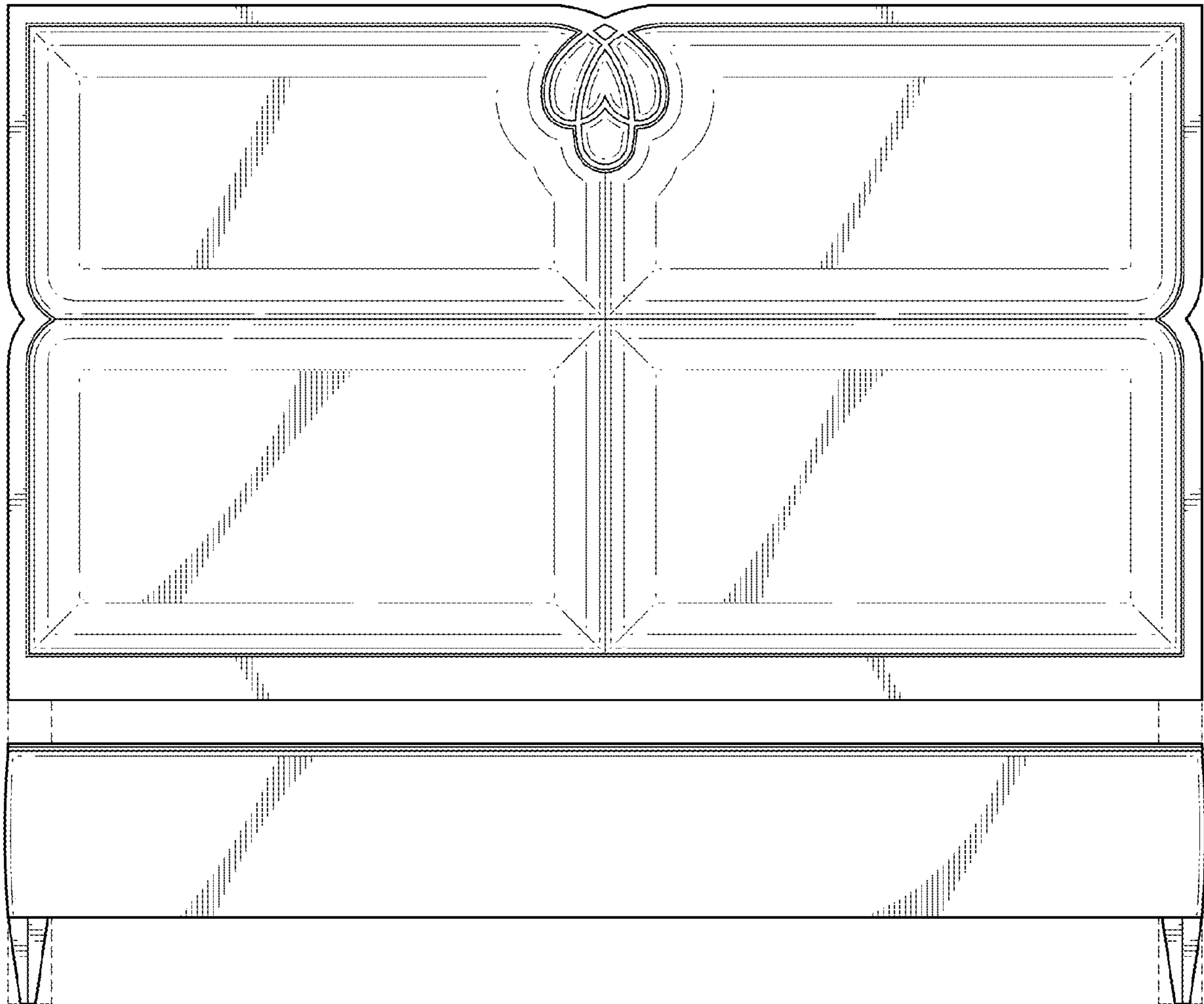


FIG. 2

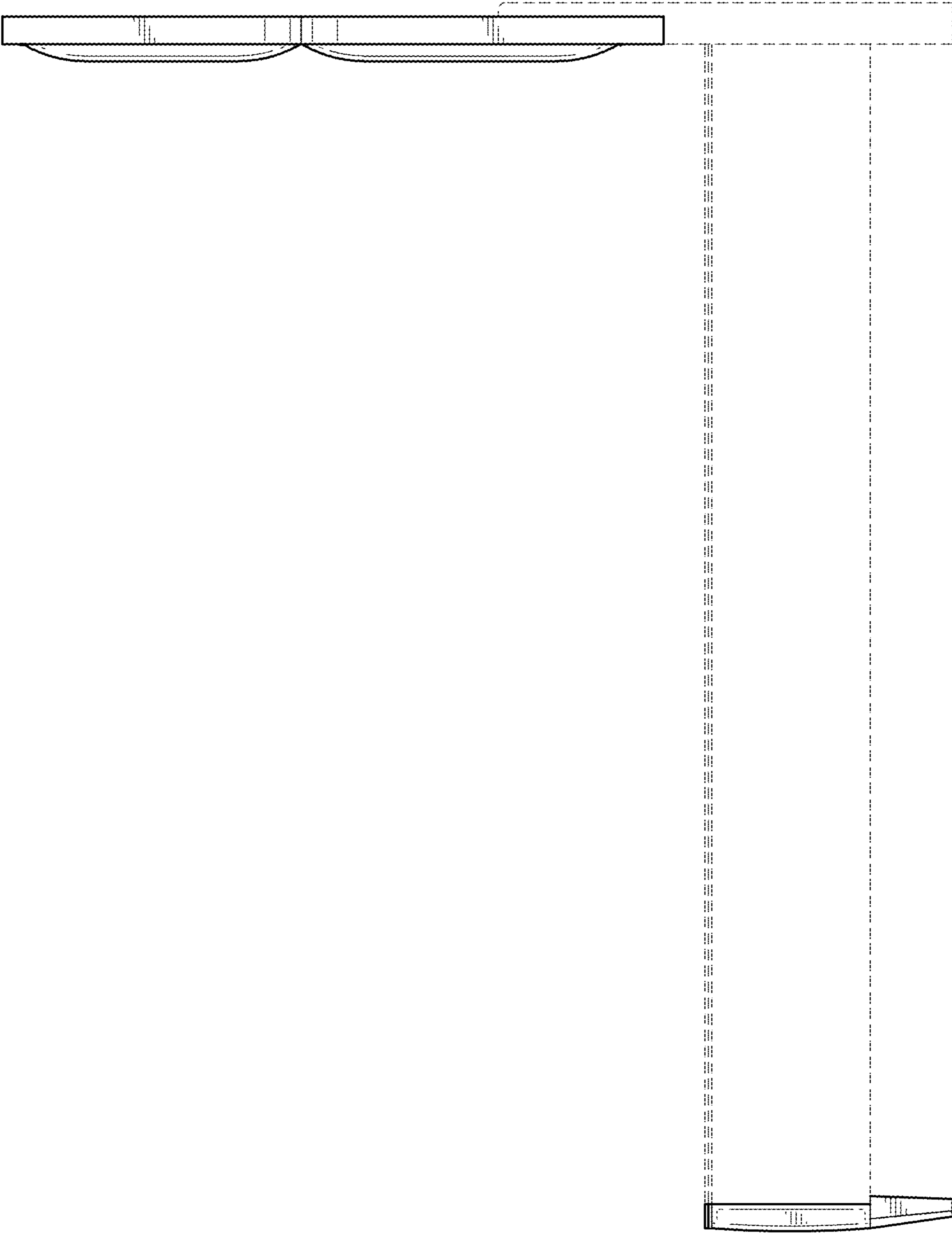


FIG. 3

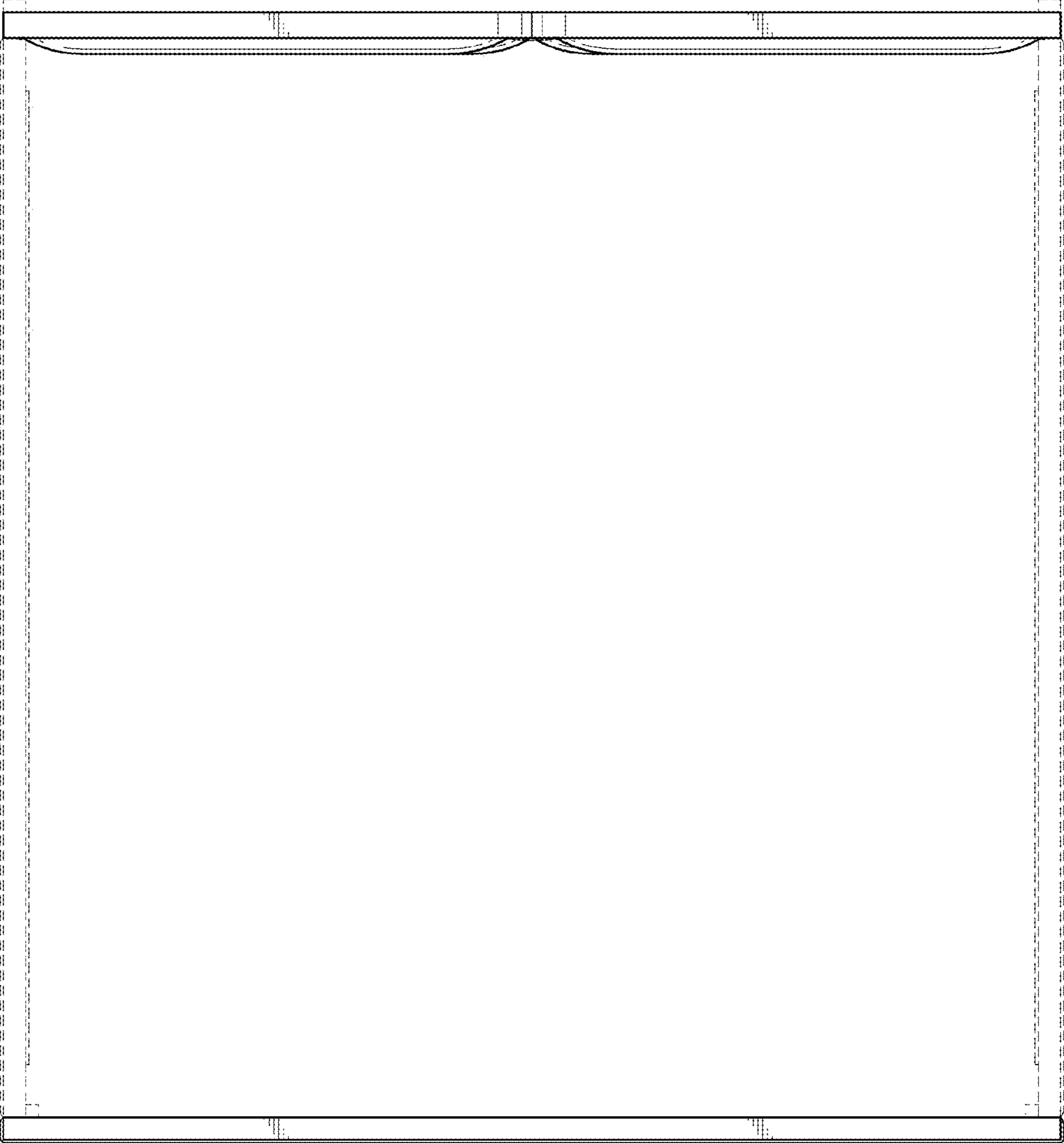


FIG. 4

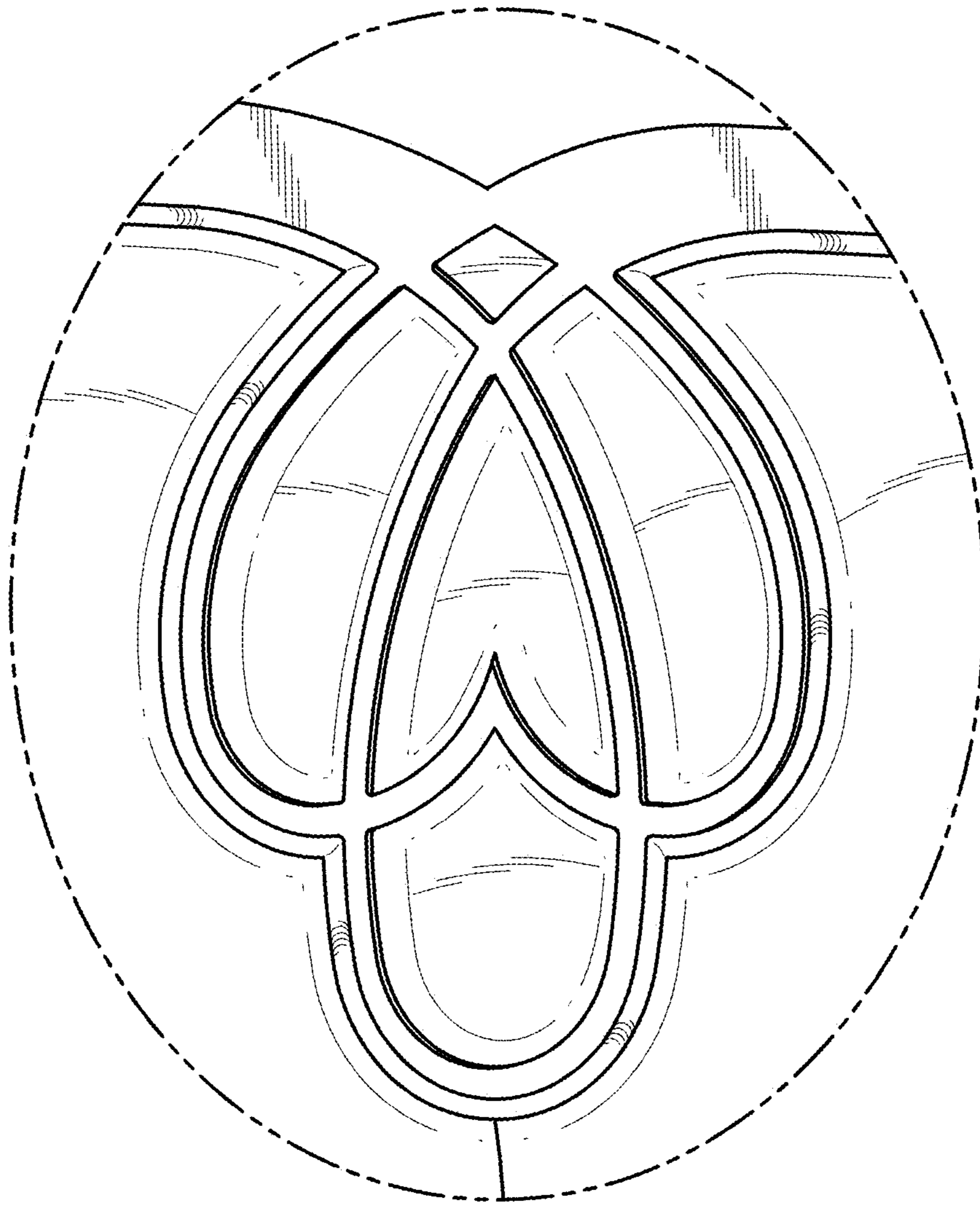


FIG. 5