



US00D878798S

(12) **United States Design Patent**
White et al.

(10) **Patent No.:** **US D878,798 S**
(45) **Date of Patent:** **** Mar. 24, 2020**

- (54) **COLLAPSIBLE BED FRAME**
- (71) Applicant: **SLASHBED**, Reno, NV (US)
- (72) Inventors: **Christopher White**, New York, NY (US); **Cival Van Der Lubbe**, Amsterdam (NL)
- (73) Assignee: **SLASHBED**, Reno, NV (US)
- (**) Term: **15 Years**
- (21) Appl. No.: **29/667,832**
- (22) Filed: **Oct. 25, 2018**
- (51) **LOC (12) Cl.** **06-02**
- (52) **U.S. Cl.**
USPC **D6/392**
- (58) **Field of Classification Search**
USPC D6/382–384, 392–395, 718
CPC A47C 19/00; A47C 19/02; A47C 19/021;
A47C 19/022; A47C 19/005; A47C
19/025; A47C 19/12
See application file for complete search history.

- (56) **References Cited**
U.S. PATENT DOCUMENTS
4,169,294 A * 10/1979 Harris A47C 19/021
5/200.1
D278,489 S * 4/1985 Ragland D6/382
D331,159 S * 11/1992 Bueno D6/382
8,584,277 B1 * 11/2013 Roberts A47C 19/005
5/1
2016/0262547 A1 * 9/2016 Jin A47C 19/12

2017/0055715 A1* 3/2017 Rohr A47C 19/021
2019/0099006 A1* 4/2019 Gerig A47C 19/025

* cited by examiner

Primary Examiner — Cathron C Brooks
(74) *Attorney, Agent, or Firm* — Keith Kline; The Kline Law Firm PC

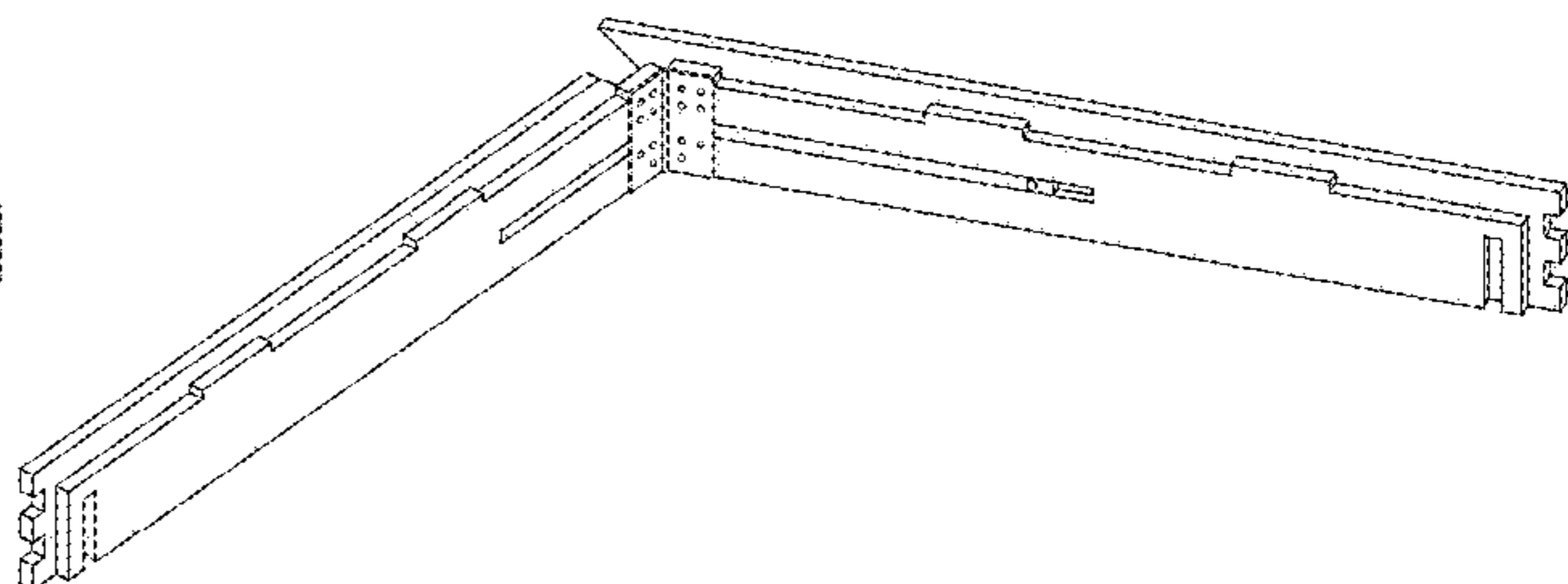
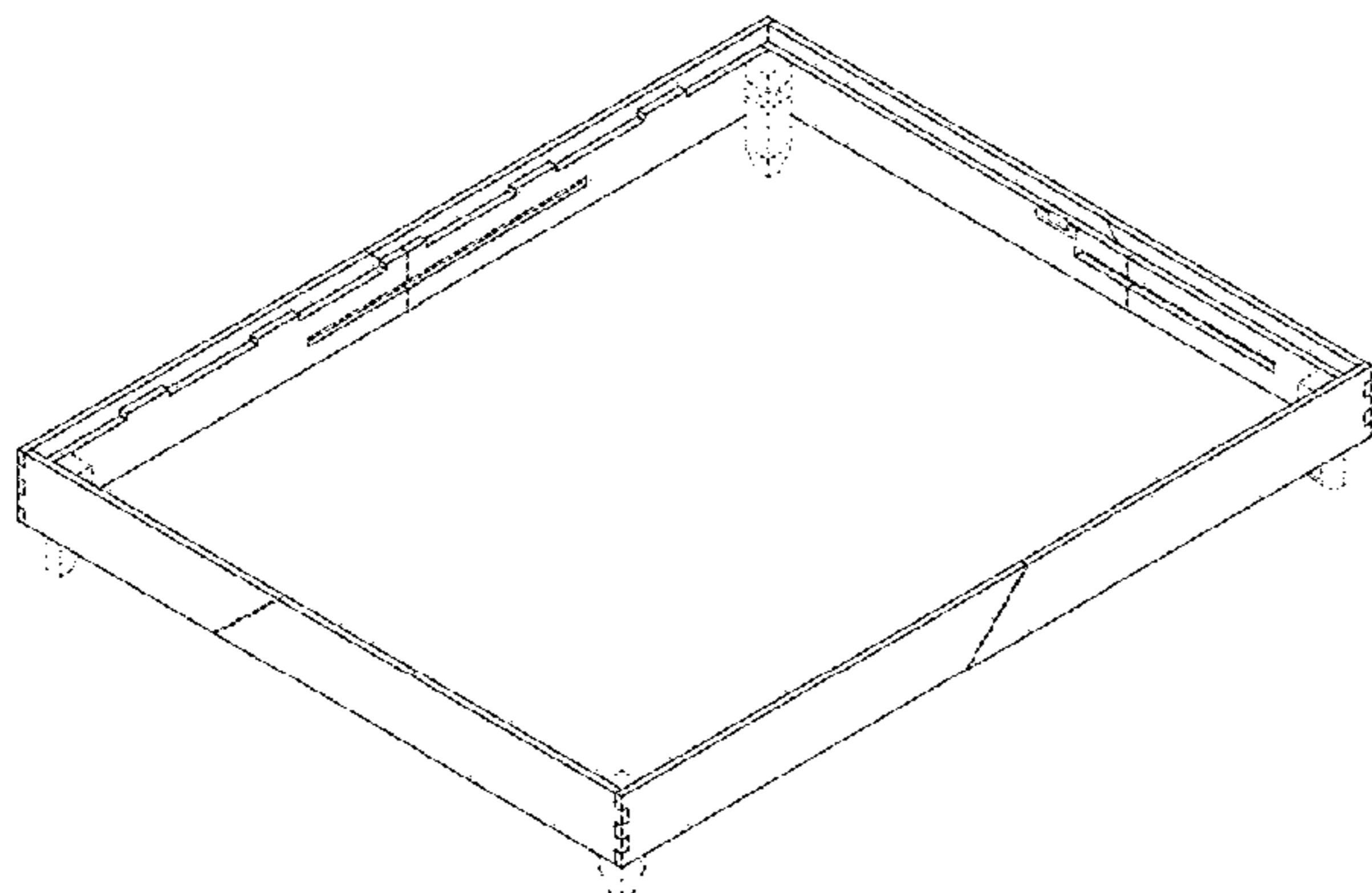
(57) **CLAIM**

The ornamental design for a collapsible bed frame, as shown and described.

DESCRIPTION

FIG. 1 is a perspective view of the collapsible bed frame, showing the design thereof;
 FIG. 2 is a top plan view thereof;
 FIG. 3 is a bottom plan view thereof;
 FIG. 4 is a front elevational view thereof;
 FIG. 5 is a rear elevational view thereof;
 FIG. 6 is a right side elevational view thereof;
 FIG. 7 is a left side elevational view thereof;
 FIG. 8 is a another perspective view thereof, but showing one of the side rails in a detached position;
 FIG. 9 is a perspective view of the detached side rail of FIG. 8, shown in an angled position, and shown separately for completeness of illustration; and,
 FIG. 10 is a perspective view of the opposite side of the side rail of FIG. 9.
 The broken lines in the drawings illustrate portions of the collapsible bed frame that form no part of the claimed design.

1 Claim, 10 Drawing Sheets



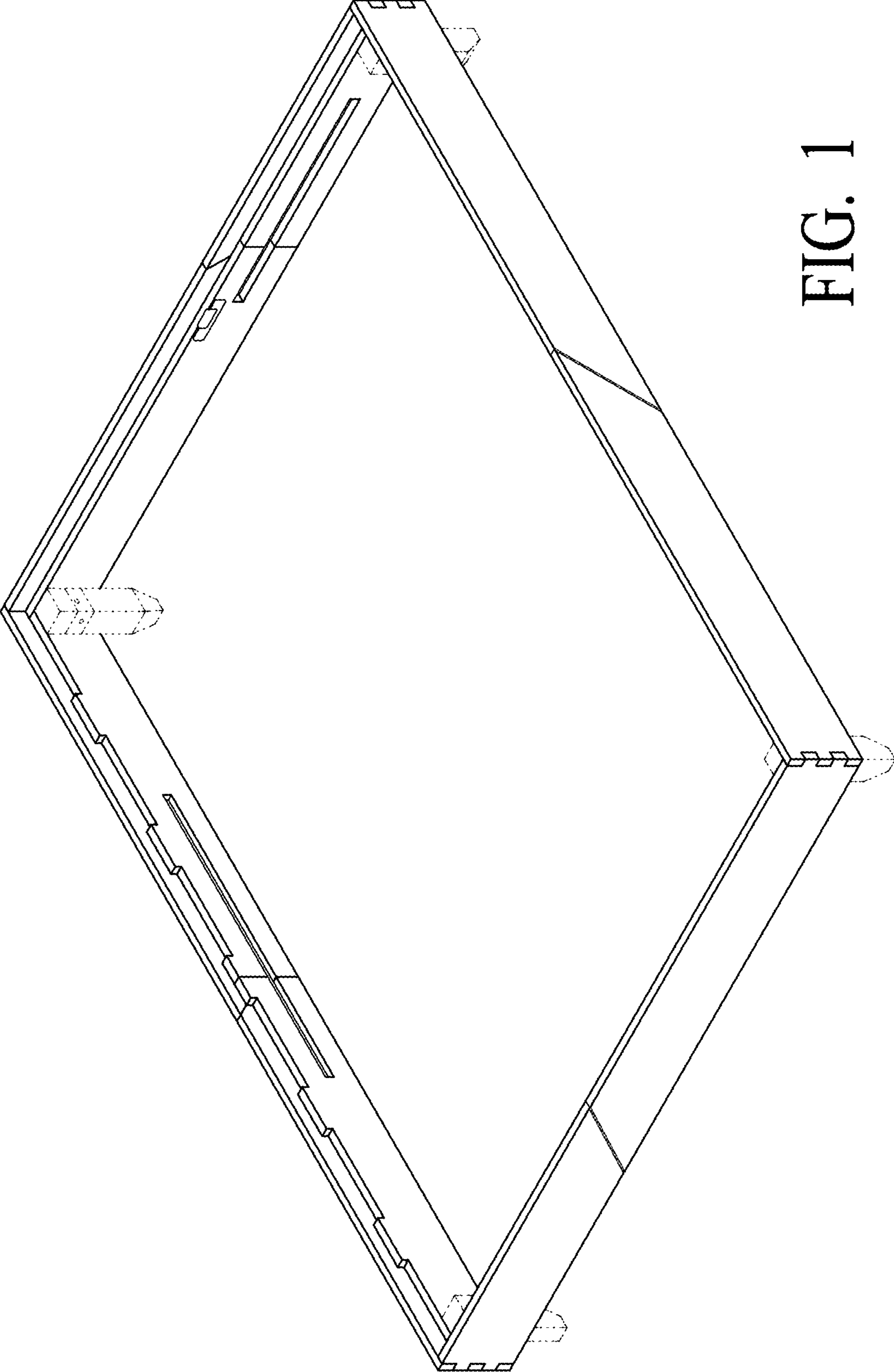


FIG. 1

FIG. 2

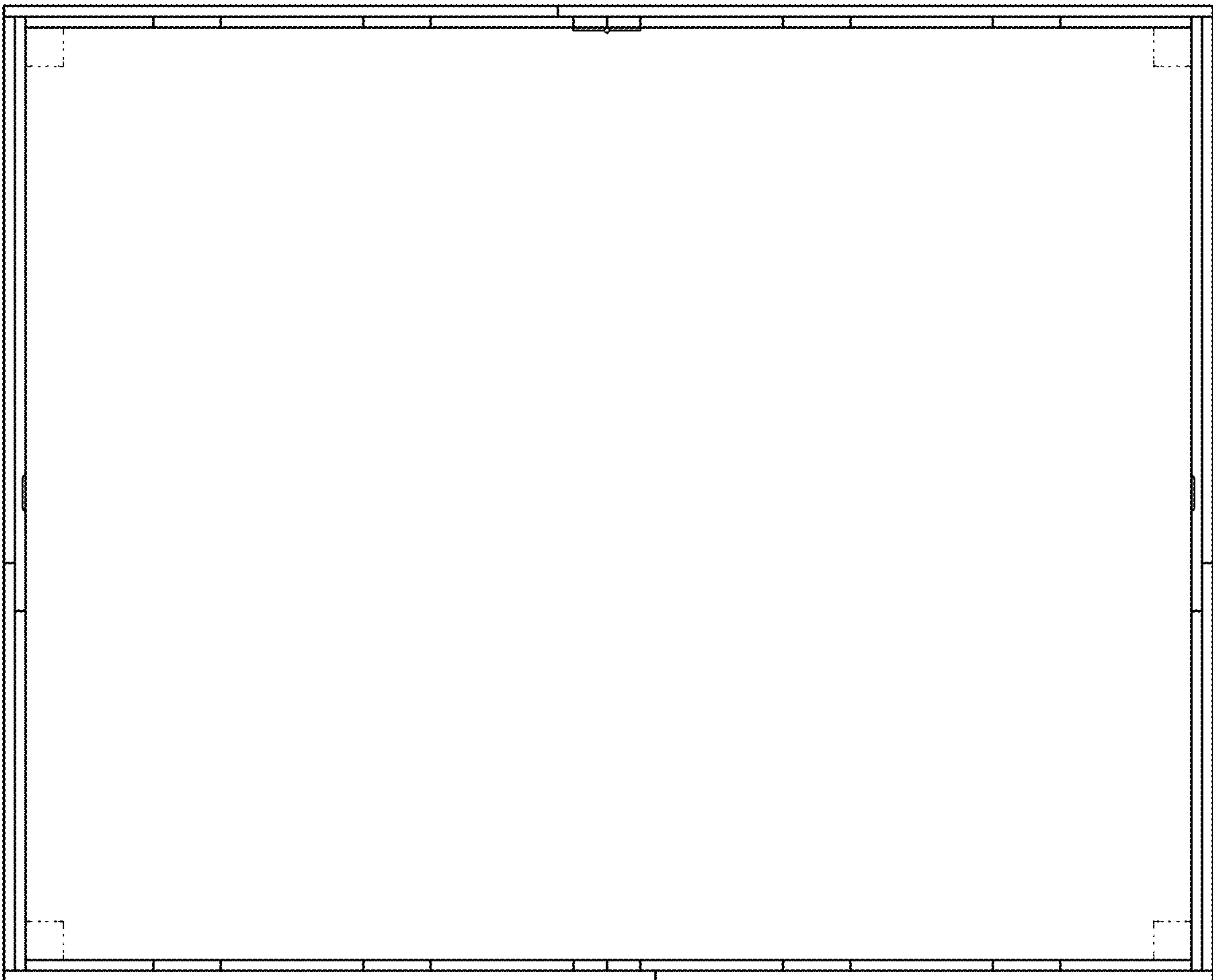
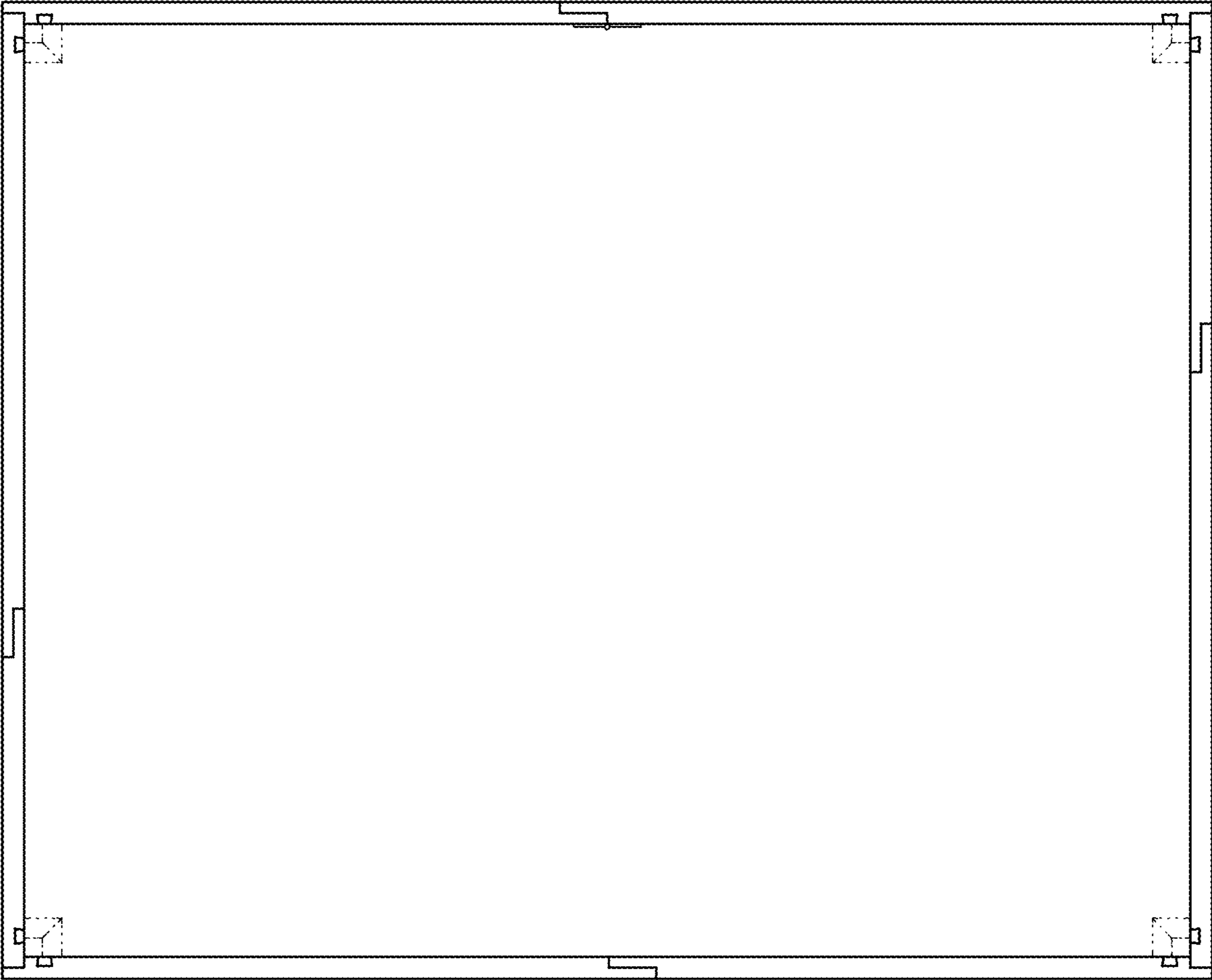


FIG. 3



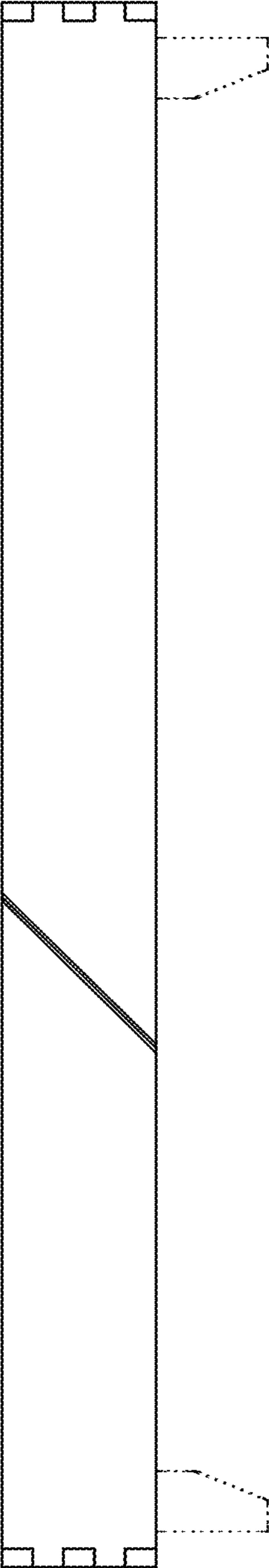


FIG. 4

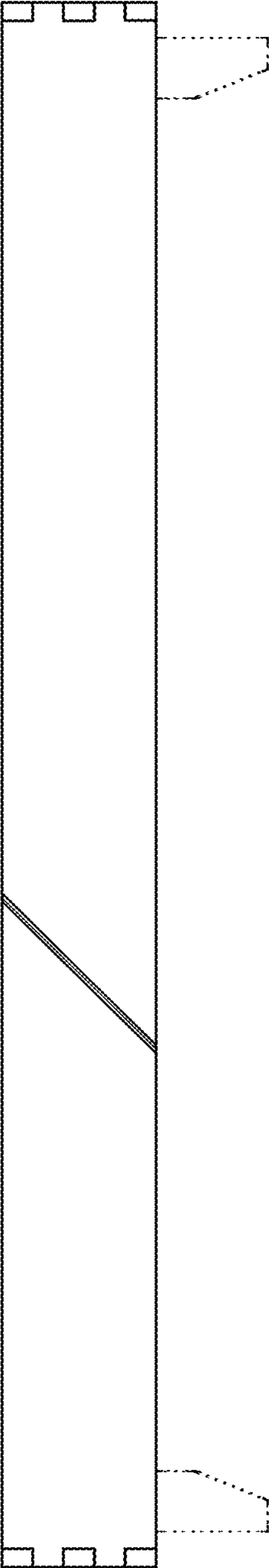


FIG. 5

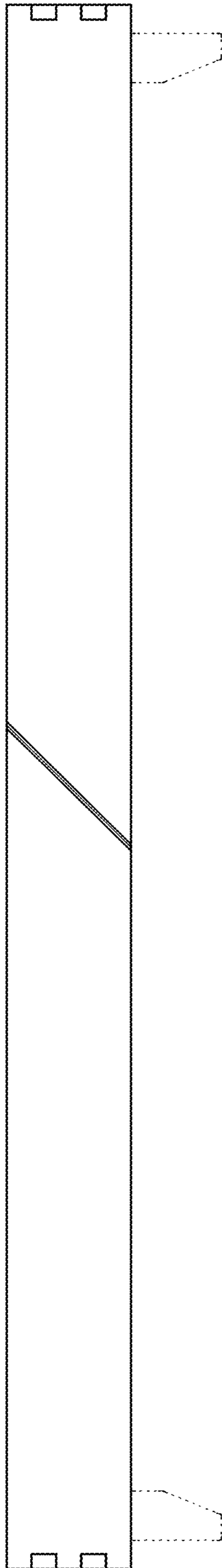


FIG. 6

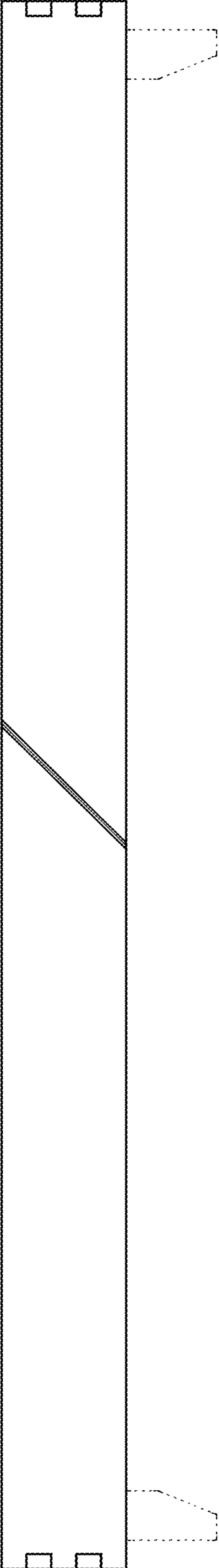


FIG. 7

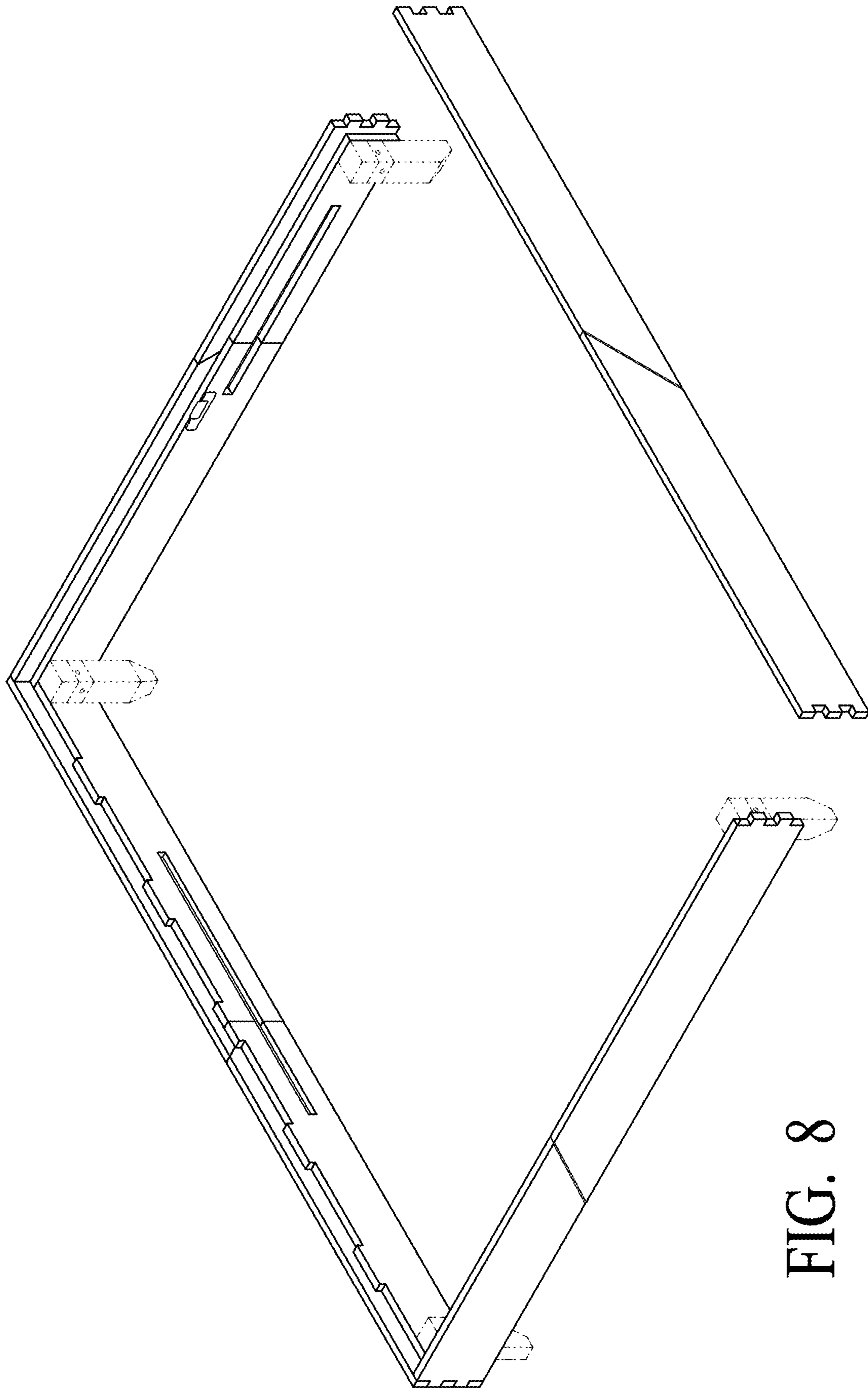


FIG. 8

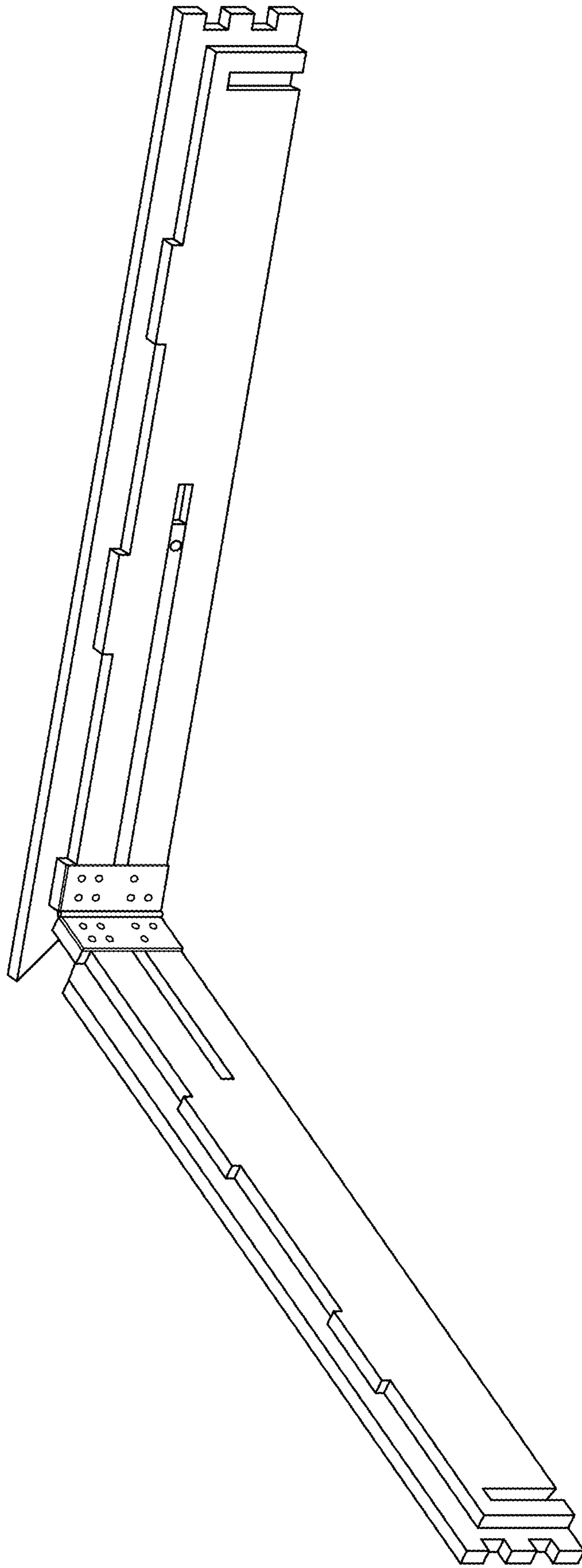


FIG. 9

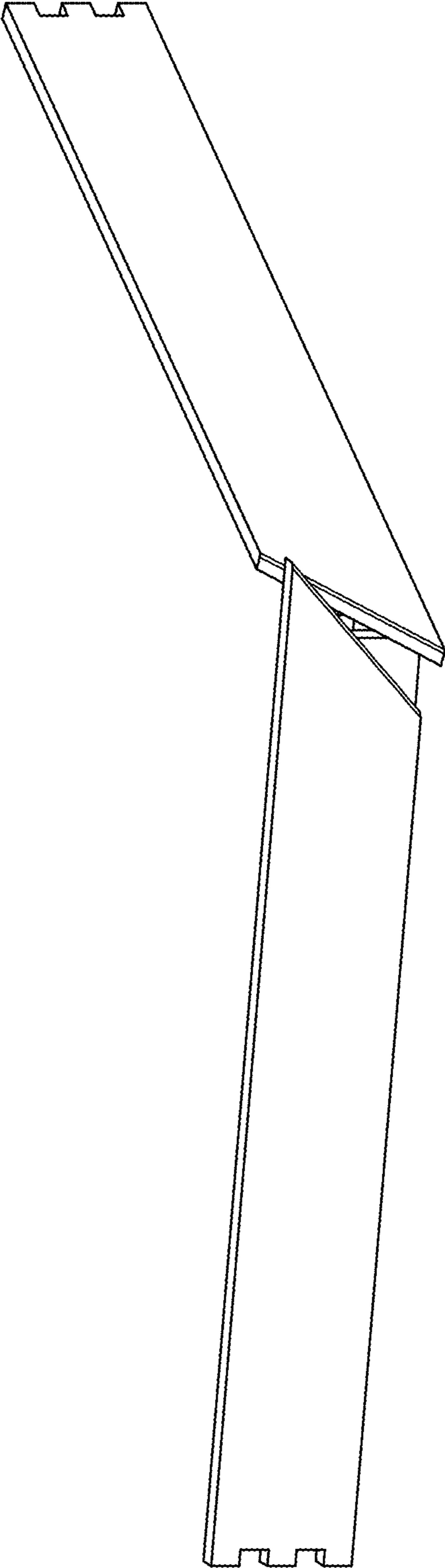


FIG. 10