



US00D878794S

(12) **United States Design Patent**
Preece et al.

(10) **Patent No.:** **US D878,794 S**
(45) **Date of Patent:** **** Mar. 24, 2020**

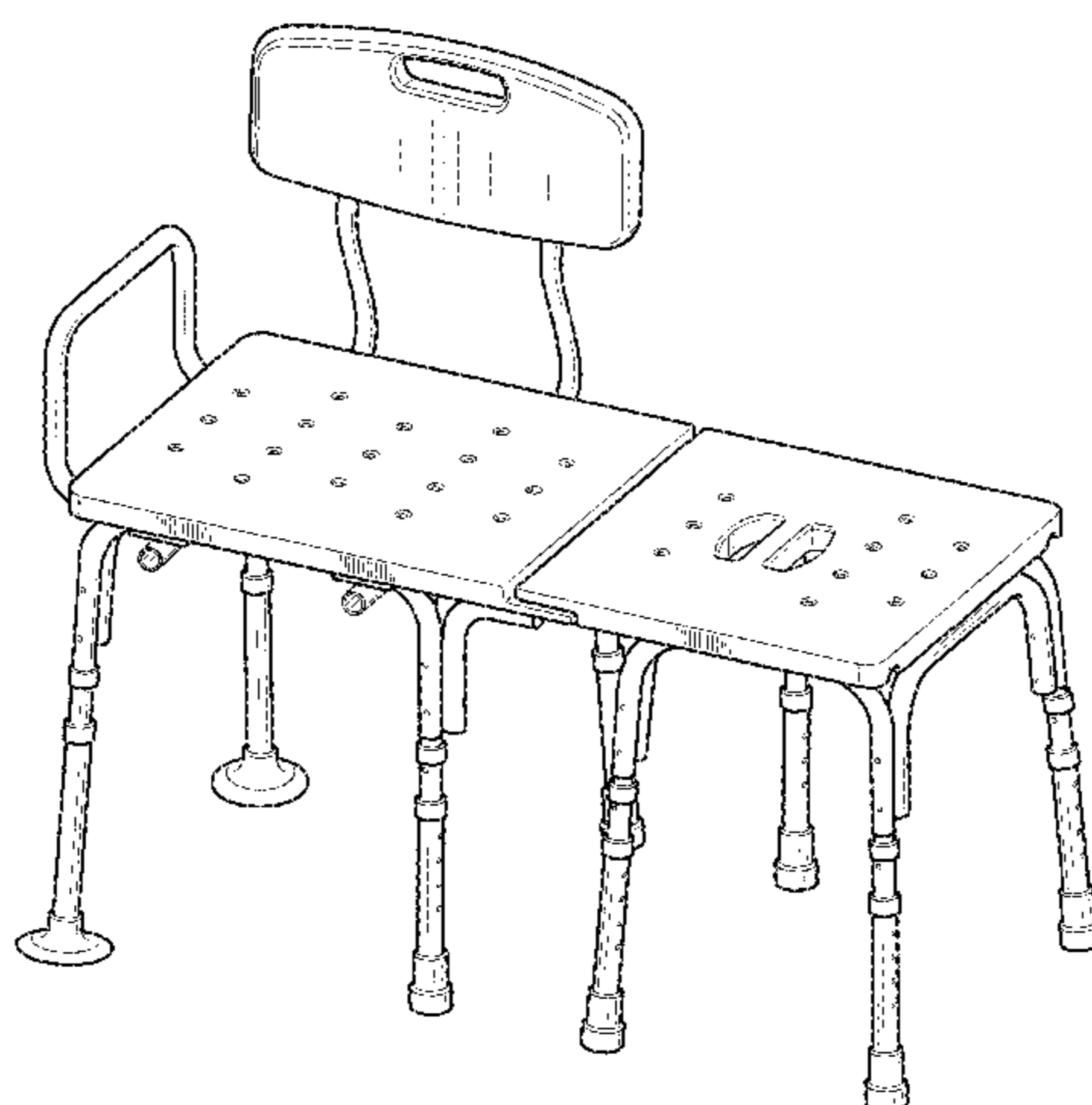
- (54) **SEATING DEVICE**
- (71) Applicant: **Medline Industries, Inc**, Northfield, IL (US)
- (72) Inventors: **Roy Preece**, McHenry, IL (US); **Frank Martorelli**, Hoffman Estates, IL (US); **John Shelpman**, Deerfield, IL (US); **Cristobal J Rodriguez**, Elgin, IL (US)
- (73) Assignee: **Medline Industries, Inc.**, Northfield, IL (US)
- (**) Term: **15 Years**
- (21) Appl. No.: **29/612,169**
- (22) Filed: **Jul. 28, 2017**
- (51) **LOC (12) Cl.** **06-01**
- (52) **U.S. Cl.**
USPC **D6/377; D6/374**
- (58) **Field of Classification Search**
USPC D6/334-336, 349, 367, 368, 374, 377, D6/379, 380, 716, 716.1, 716.2, 716.3, D6/716.4
CPC A47C 4/03; A47C 4/18; A47C 4/20; A47C 5/12; A47C 3/38; A47K 3/12; A47K 3/122; A47K 3/282
See application file for complete search history.

- D347,526 S 6/1994 Hamilton
- 5,335,377 A 8/1994 Masyada et al.
- 5,360,304 A 11/1994 Notaro et al.
- 5,361,428 A * 11/1994 Nanowsky A47K 3/122 4/558
- 5,536,068 A 7/1996 Valentor et al.
- 5,561,868 A * 10/1996 Campbell A47K 3/122 4/560.1
- D375,638 S 11/1996 Dhanapal et al.
- 5,845,962 A * 12/1998 Lin A47C 4/18 297/54
- 5,940,905 A 8/1999 Cheng
- 6,000,750 A 12/1999 Rossman et al.
- 6,039,403 A 3/2000 Hargroder
- 6,065,251 A 5/2000 Kindrick
- D427,814 S 7/2000 Black
- 6,105,183 A 8/2000 Bly
- 6,122,776 A 9/2000 Cheng
- D439,429 S 3/2001 Higgs et al.
- D466,337 S 12/2002 Feng
- D478,749 S 8/2003 Gilbert et al.
- D478,750 S 8/2003 Gilbert et al.
- D478,751 S * 8/2003 Gilbert D6/374
- D478,752 S * 8/2003 Gilbert D6/374
- D479,051 S 9/2003 Darst et al.
- D479,067 S * 9/2003 Gilbert D6/716.1
- 6,733,082 B1 5/2004 Treon
- 6,827,028 B1 12/2004 Callaway
- D501,611 S 2/2005 Self et al.
- 6,907,829 B2 6/2005 Bambach et al.
- D519,291 S 4/2006 Higgs et al.
- 7,020,911 B2 4/2006 Oldham
- 7,121,620 B1 10/2006 Fang
- 7,451,501 B2 * 11/2008 Cheng A47K 3/122 4/560.1
- D582,185 S * 12/2008 Gilbert D6/716.1
- D596,866 S 7/2009 Bergmann et al.
- 7,661,154 B2 * 2/2010 Cheng A47K 3/122 4/560.1
- 7,690,055 B2 4/2010 Hammer et al.
- 7,761,935 B1 7/2010 Whitaker
- D637,417 S 5/2011 Marcomini
- 8,127,377 B2 3/2012 Ferrazzani
- 8,152,233 B2 4/2012 Wecter
- 8,162,396 B2 4/2012 Edwards
- 8,181,285 B1 5/2012 Jackson
- 8,291,526 B2 10/2012 Parvizian
- 8,307,600 B2 11/2012 Heartsfield
- D687,640 S 8/2013 Pedersen et al.
- 8,925,264 B2 1/2015 Thrush et al.
- D723,814 S 3/2015 Hagstrom
- 9,107,787 B2 8/2015 Wetcher
- 9,662,255 B2 5/2017 Wetcher

(56) **References Cited**

U.S. PATENT DOCUMENTS

- 3,528,096 A 9/1970 Moberg
- 3,855,646 A 12/1974 Glickman
- 3,944,281 A 3/1976 Piretti
- 4,168,549 A * 9/1979 Davies A47K 3/122 4/578.1
- 4,391,006 A * 7/1983 Smith A47K 3/122 4/559
- 4,472,844 A 9/1984 Mace
- 4,475,256 A * 10/1984 Hatala A47K 3/122 248/231.21
- D276,767 S 12/1984 Livi
- D296,284 S 6/1988 Colby
- D300,996 S 5/1989 Colby



9,763,545	B2 *	9/2017	Liu	A47K 3/282
D802,311	S	11/2017	Stricklin et al.		
D822,420	S	7/2018	Paterson		
D823,020	S *	7/2018	Paterson	D6/377
D833,765	S *	11/2018	Mammi	D6/353
2004/0051365	A1 *	3/2004	Darst	A47K 3/122 297/440.1
2004/0070238	A1 *	4/2004	Moser	A47K 3/282 297/183.9
2005/0179304	A1 *	8/2005	Serhan	A47K 3/282 297/440.24
2007/0273181	A1	11/2007	Wechter		
2010/0288453	A1	11/2010	Richardson		
2012/0192351	A1	8/2012	Wetcher		
2012/0233767	A1	9/2012	Liu		
2013/0117928	A1	5/2013	Hardie		
2016/0143493	A1	5/2016	Chang		
2016/0278529	A1	9/2016	Paterson et al.		
2017/0303747	A1	10/2017	Fortman		

FOREIGN PATENT DOCUMENTS

CA	2737286	A1 *	9/2012	A47K 3/122
CA	3007105	A1 *	6/2017	A47K 3/12
DE	10206835		9/2003		
WO	2001/070088		9/2001		
WO	2017093734		6/2017		

OTHER PUBLICATIONS

“Medline Catalog”, Basic Shower Chair with Back; Medline Catalog; <https://www.medline.com/catalog/catalog.jsp>; Unknown Publication date but believed to be prior to present application filing date.

“Medline Catalog”, Composite Bath Benches with Back; Medline Catalog; <https://www.medline.com/catalog/catalog.jsp>; Unknown Publication date but believed to be prior to present application filing date.

“Medline Catalog”, Composite Transfer Benches; Medline Catalog; <https://www.medline.com/catalog/catalog.jsp>; Unknown Publication date but believed to be prior to present application filing date.

“Medline Catalog”, Easy Care Shower Chair/Stool; Medline Catalog; <https://www.medline.com/catalog/catalog.jsp>; Unknown Publication date but believed to be prior to present application filing date.

“Medline Catalog”, Home Care Glacier Shower Chair by Moen; Medline Catalog; <https://www.medline.com/catalog/catalog.jsp>; Unknown Publication date but believed to be prior to present application filing date.

“Medline Catalog”, Knockdown Transfer Benches; Medline Catalog; <https://www.medline.com/catalog/catalog.jsp>; Unknown Publication date but believed to be prior to present application filing date.

“Medline Catalog”, Shower Chair with Back; Medline Catalog; <https://www.medline.com/catalog/catalog.jsp>; Unknown Publication date but believed to be prior to present application filing date.

“Medline Catalog”, Shower Chair with Perineal Opening; Medline Catalog; <https://www.medline.com/catalog/catalog.jsp>; Unknown Publication date but believed to be prior to present application filing date.

“Medline Catalog”, Shower Chairs with Microban; Medline Catalog; <https://www.medline.com/catalog/catalog.jsp>; Unknown Publication date but believed to be prior to present application filing date.

“Medline Catalog”, Shower Chairs/Stools by Invacare Corp; Medline Catalog; <https://www.medline.com/catalog/catalog.jsp>; Unknown Publication date but believed to be prior to present application filing date.

“Medline Catalog”, Snap N Save Heavy Duty Shower Chairs by Performance Health; Medline Catalog; <https://www.medline.com/catalog/catalog.jsp>; Unknown Publication date but believed to be prior to present application filing date.

De, Mimosa , “Notice of Allowance”, U.S. Appl. No. 29/558,299, filed Mar. 16, 2016; dated Mar. 26, 2018.

De, Mimosa , “Notice of Allowance”, U.S. Appl. No. 29/570,679, filed Jul. 11, 2016; dated Mar. 8, 2018.

Ros, Nichols , “NonFinal OA”, U.S. Appl. No. 14/845,235, filed Sep. 3, 2015; dated Nov. 22, 2017.

Seating Device Images gathered by inventors; Unknown original publication of each image; Unknown publication dates but believed to be prior to filing of present application.

“Briggs Healthcare”, Shower Chair; <http://www.walmart.com/ip/Mabis-DMI-Shower-Chair-with-Arms-and-Back-Rest/12354572>; Unknown publication date but believe to be prior to filing of present application.

“DeVilbiss Healthcare”, Shower Chair with Back; <http://www.drivemedical.com/b2b/index.php/shower-chair-with-back-and-removable-padded-arms-217.html>; Unknown Publication Date but believe to be prior to filing of present application.

“Essential Medical”, Molded Shower Chair; <http://www.walmart.com/ip/Essential-Medical-B3011-Molded-Shower-Bench-with-Arms-Back/35306400>; Unknown publication date but believe to be prior to filing of present application.

“RehabMart.com”, Adjustable Shower Seats; <http://www.rehabmart.com/product/adjustable-shower-seats-18745.html>; Unknown Publication Date but believe to be prior to filing of present application.

“Single Cube Chair”, CFC-999 Preschool Chairs; Hertz Furniture Website; <http://www.hertzfurniture.com/Preschool---Chairs-----Single---Cube---Chair-----3462-----mo.html>; Unknown Publication Date but prior to filing of present application.

De, Mimosa , “Notice of Allowance”, U.S. Appl. No. 29/558,299, filed Mar. 16, 2016; dated Dec. 12, 2017.

Ros, Nicholas , “NonFinal OA”, U.S. Appl. No. 14/845,235, filed Sep. 3, 2015; dated May 2, 2017.

Ros, Nicholas , “NonFinal OA”, U.S. Appl. No. 14/845,235, filed Sep. 3, 2015; dated Nov. 22, 2017.

Deery, Erin L. , “NonFinal OA”, U.S. Appl. No. 15/663,552, filed Jul. 28, 2017; dated Sep. 7, 2018.

Deery, Erin Leah , “Final Office Action”, U.S. Appl. No. 15/663,552, filed Jul. 28, 2017; dated Mar. 15, 2019.

Deery, Erin L. , “NonFinal Office Action”, U.S. Appl. No. 15/663,552, filed Jul. 28, 2017; dated Sep. 16, 2019.

Ros, Nicholas , “Notice of Allowance”, U.S. Appl. No. 14/845,235, filed Sep. 3, 2015; dated Aug. 7, 2019.

* cited by examiner

Primary Examiner — Mimosa De
(74) Attorney, Agent, or Firm — Philip H. Burrus, IV

(57) CLAIM

The ornamental design for a seating device, as shown and described.

DESCRIPTION

FIG. 1 is a first perspective view of a seating device showing our new design;

FIG. 2 is another perspective view thereof;

FIG. 3 is a right elevation view thereof;

FIG. 4 is a left elevation view thereof;

FIG. 5 is a front elevation view thereof;

FIG. 6 is a rear elevation view thereof;

FIG. 7 is a top plan view thereof; and

FIG. 8 is a bottom plan view thereof.

FIG. 9 is a first perspective view of a first portion of the seating device showing our new design;

FIG. 10 is another perspective view thereof;

FIG. 11 is a right elevation view thereof;

FIG. 12 is a left elevation view thereof;

FIG. 13 is a front elevation view thereof;

FIG. 14 is a rear elevation view thereof;
FIG. 15 is a top plan view thereof; and
FIG. 16 is a bottom plan view thereof.
FIG. 17 is a first perspective view of a second portion of the seating device showing our new design;
FIG. 18 is another perspective view thereof;
FIG. 19 is a right elevation view thereof;
FIG. 20 is a left elevation view thereof;
FIG. 21 is a front elevation view thereof;
FIG. 22 is a rear elevation view thereof;
FIG. 23 is a top plan view thereof; and
FIG. 24 is a bottom plan view thereof; and,
FIG. 25 is another perspective view of the seating device showing our new design.

All broken lines are included for the purpose of illustrating use and environment and form no part of the claimed design.

1 Claim, 21 Drawing Sheets

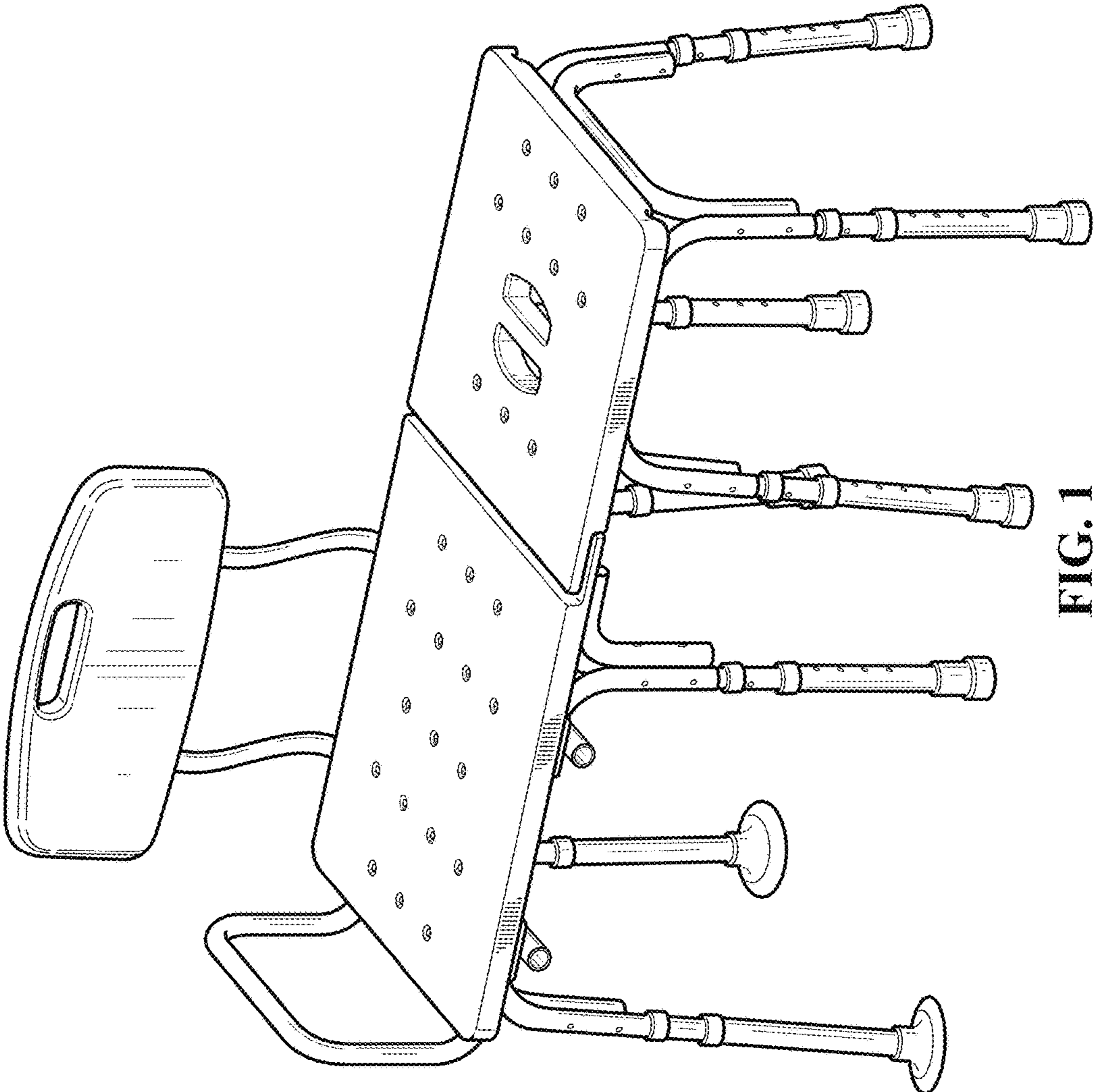


FIG. 1

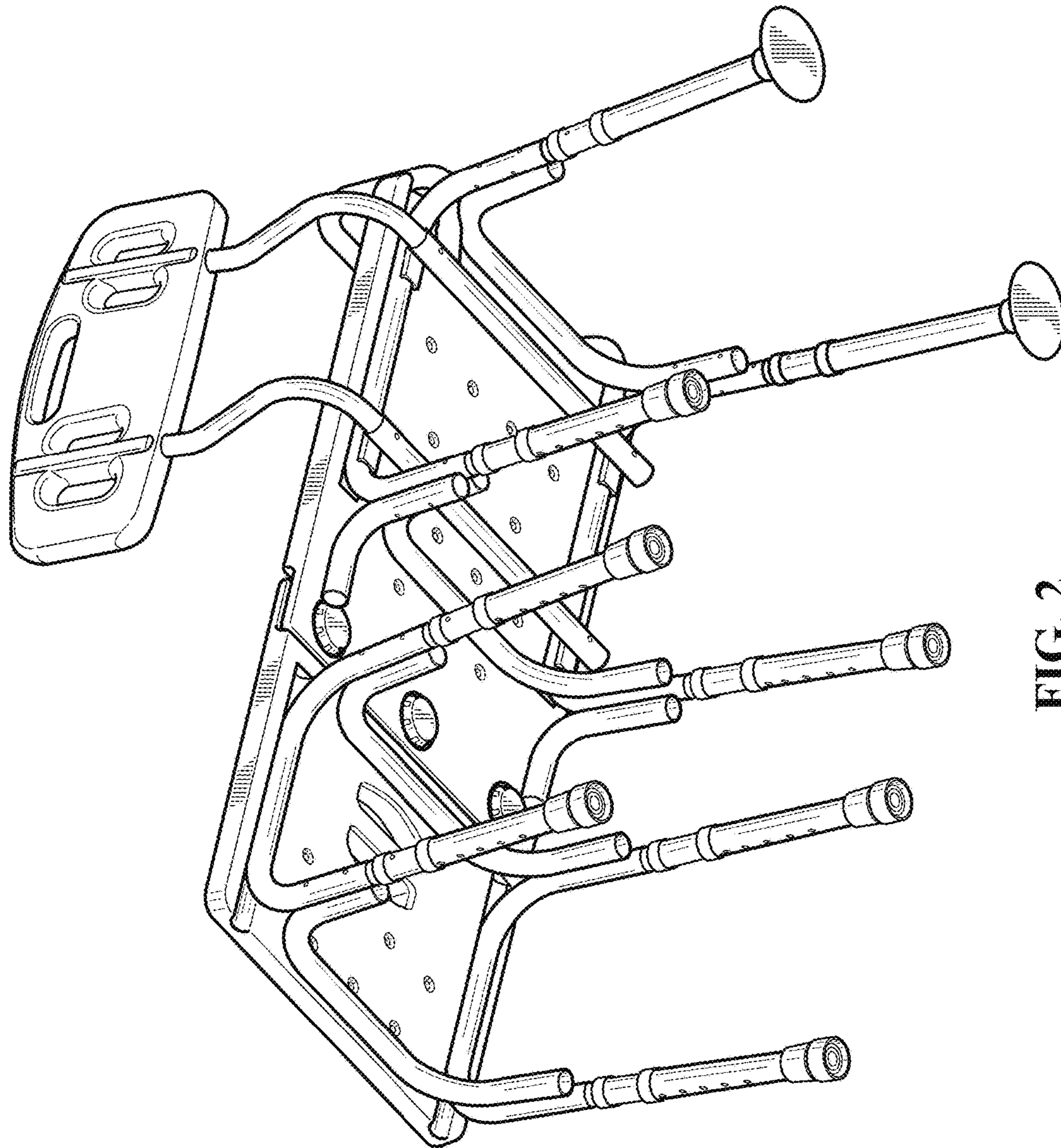


FIG. 2

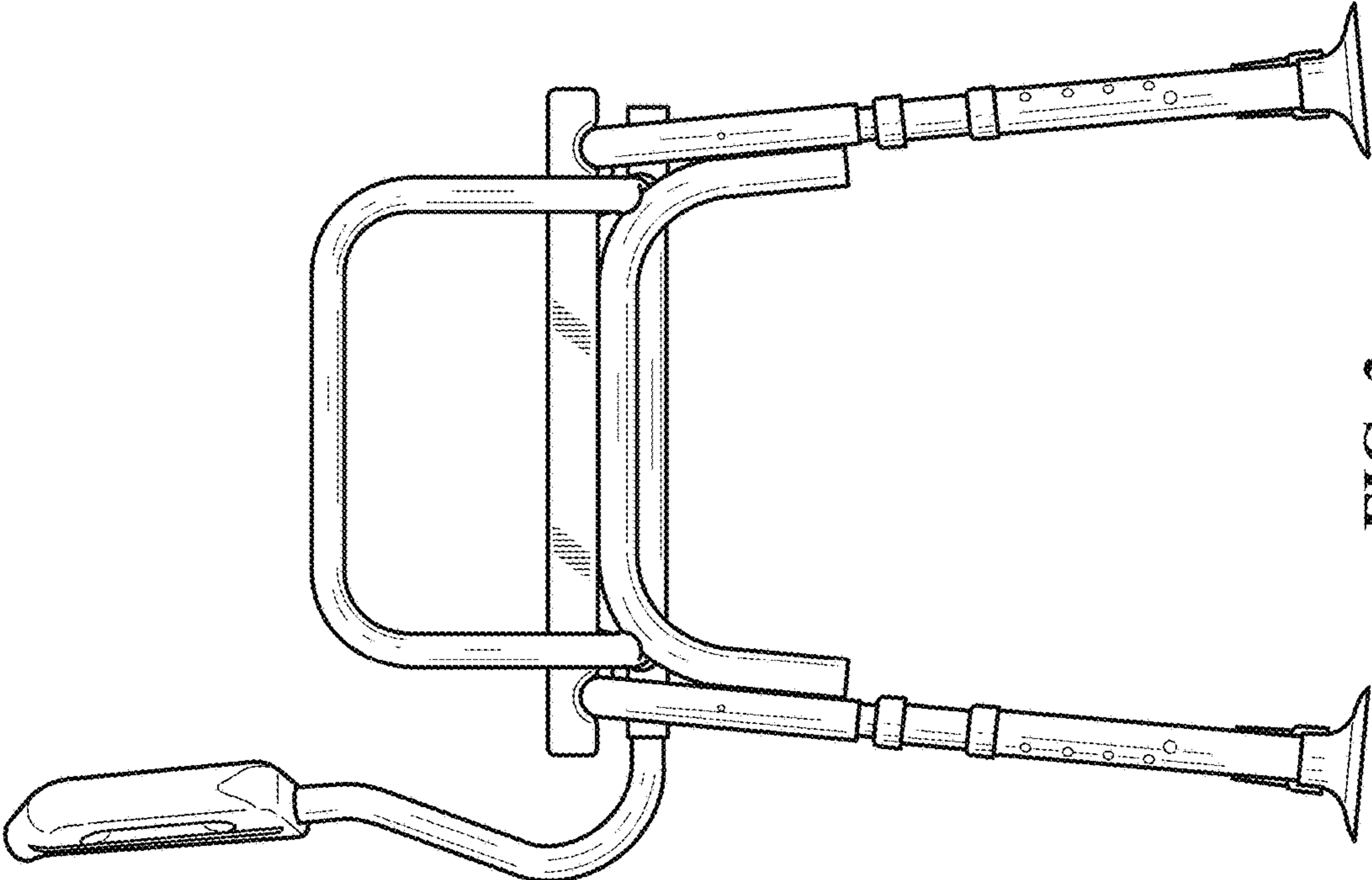


FIG. 3

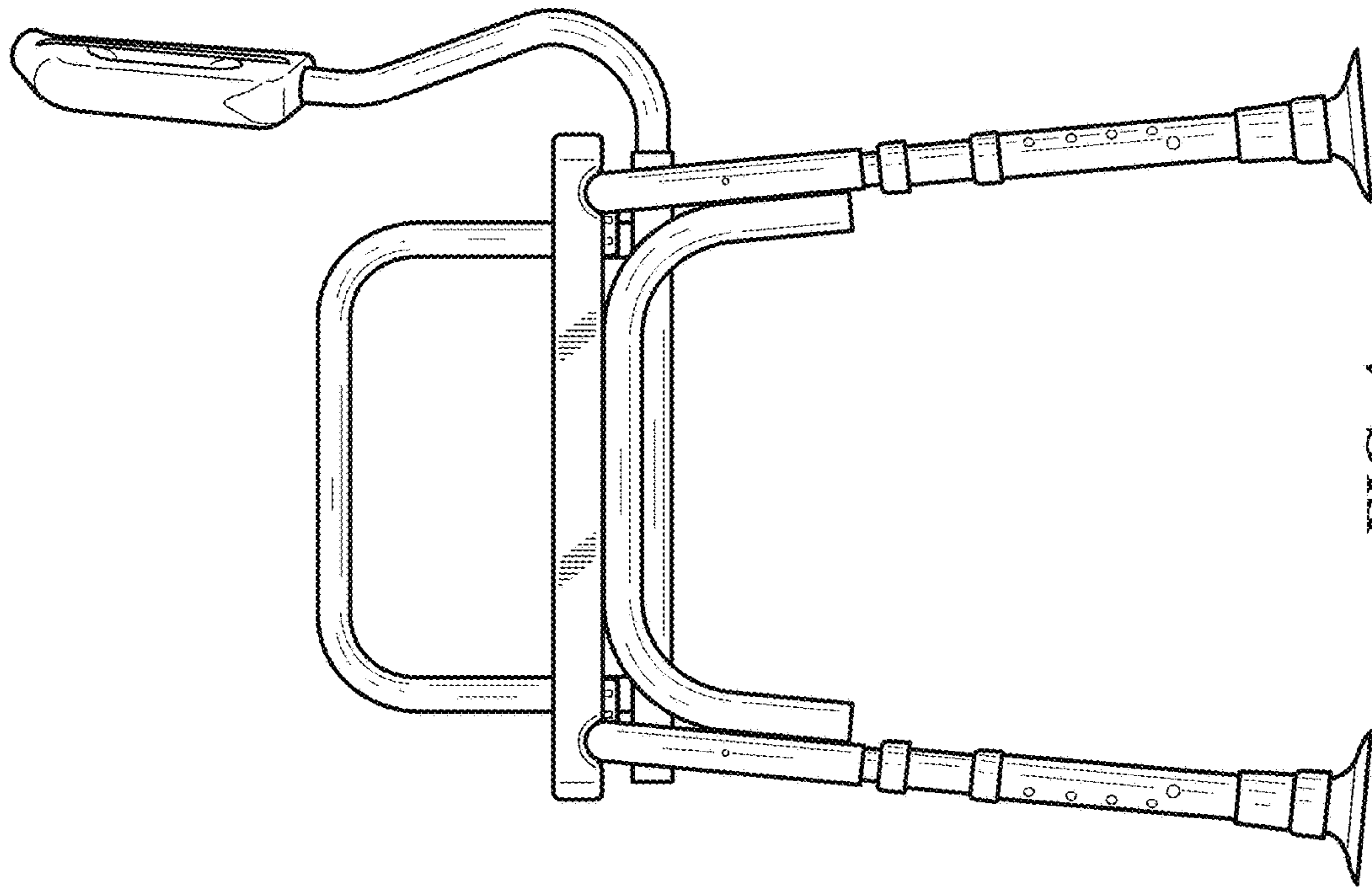


FIG. 4

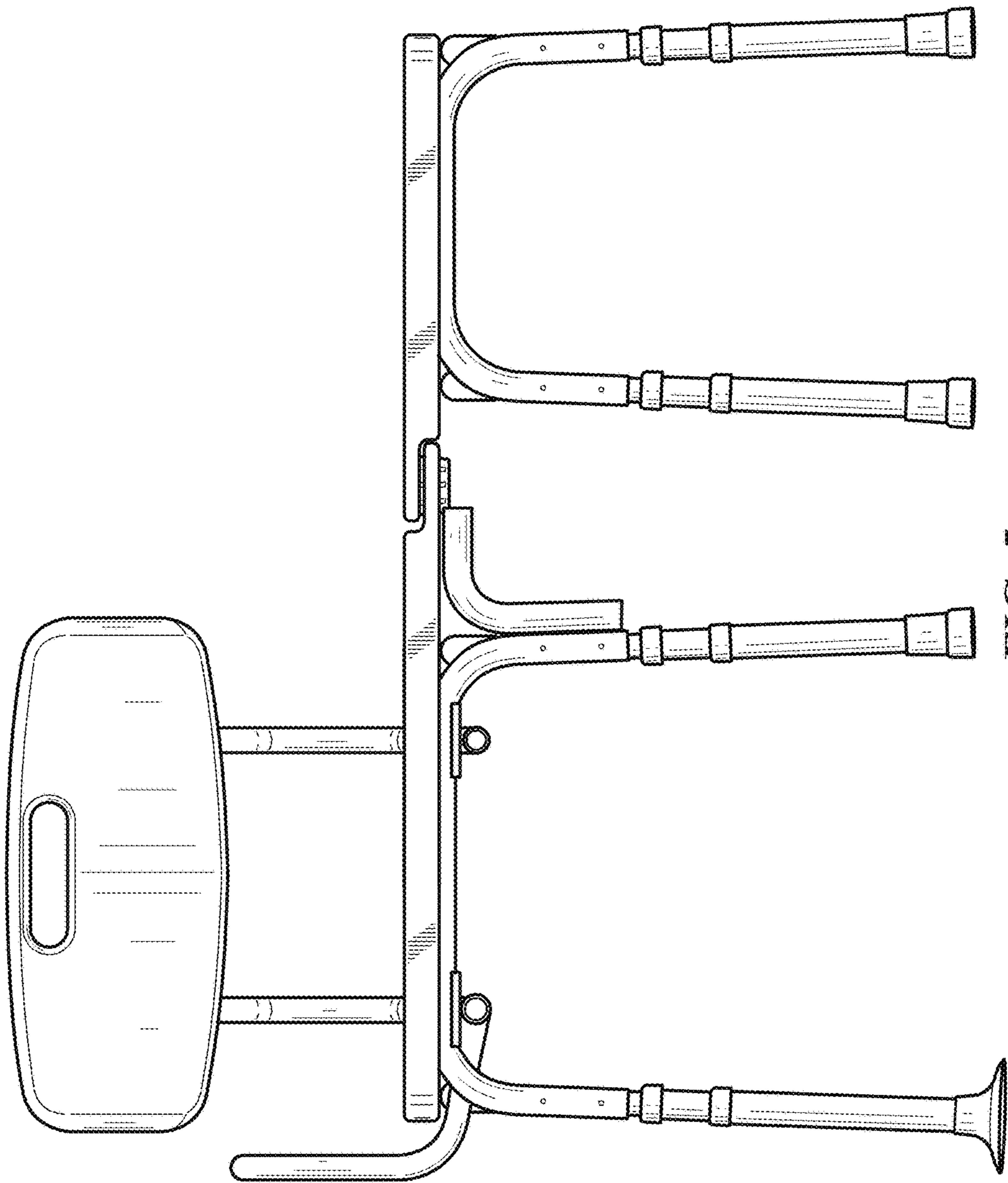


FIG. 5

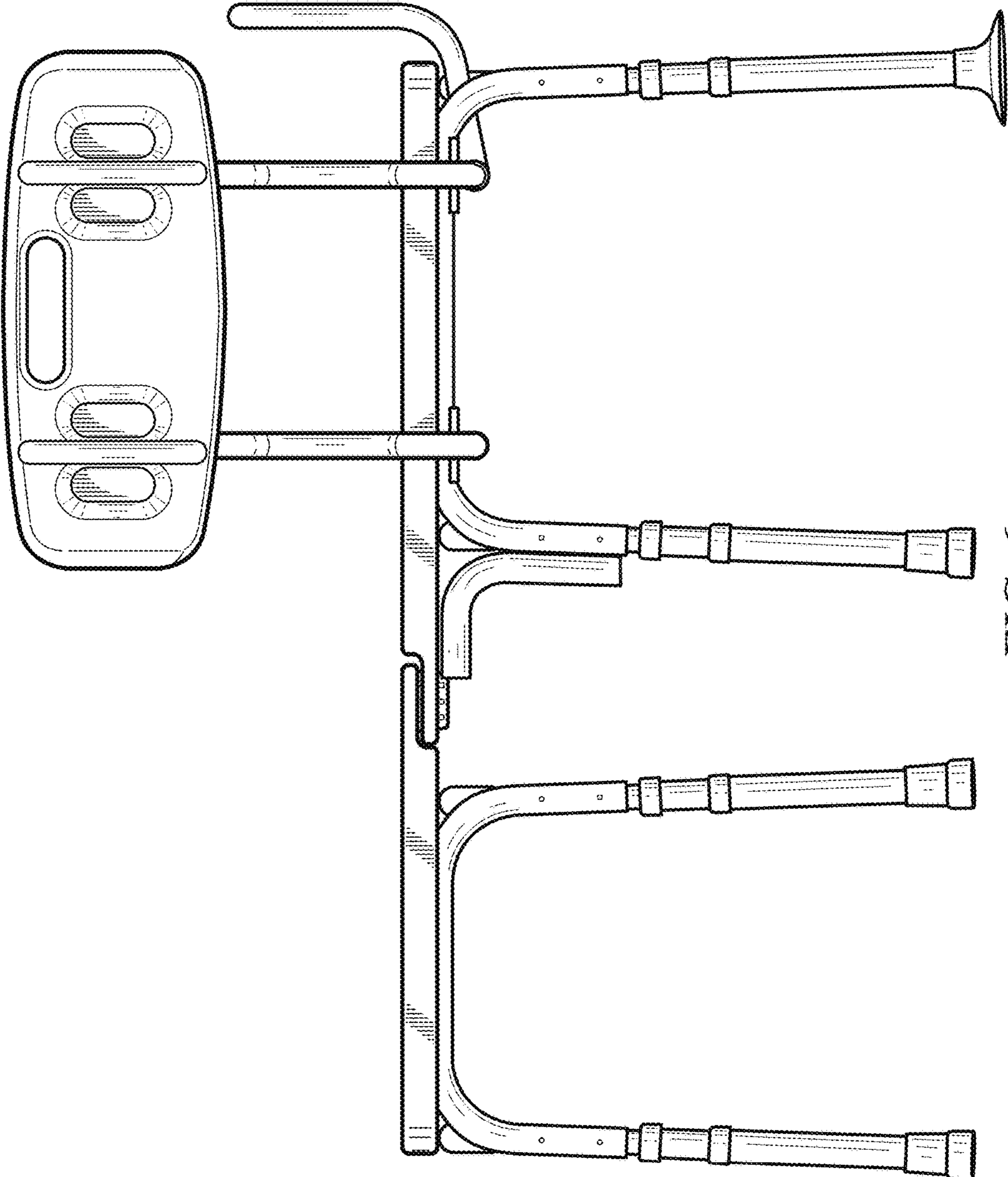


FIG. 6

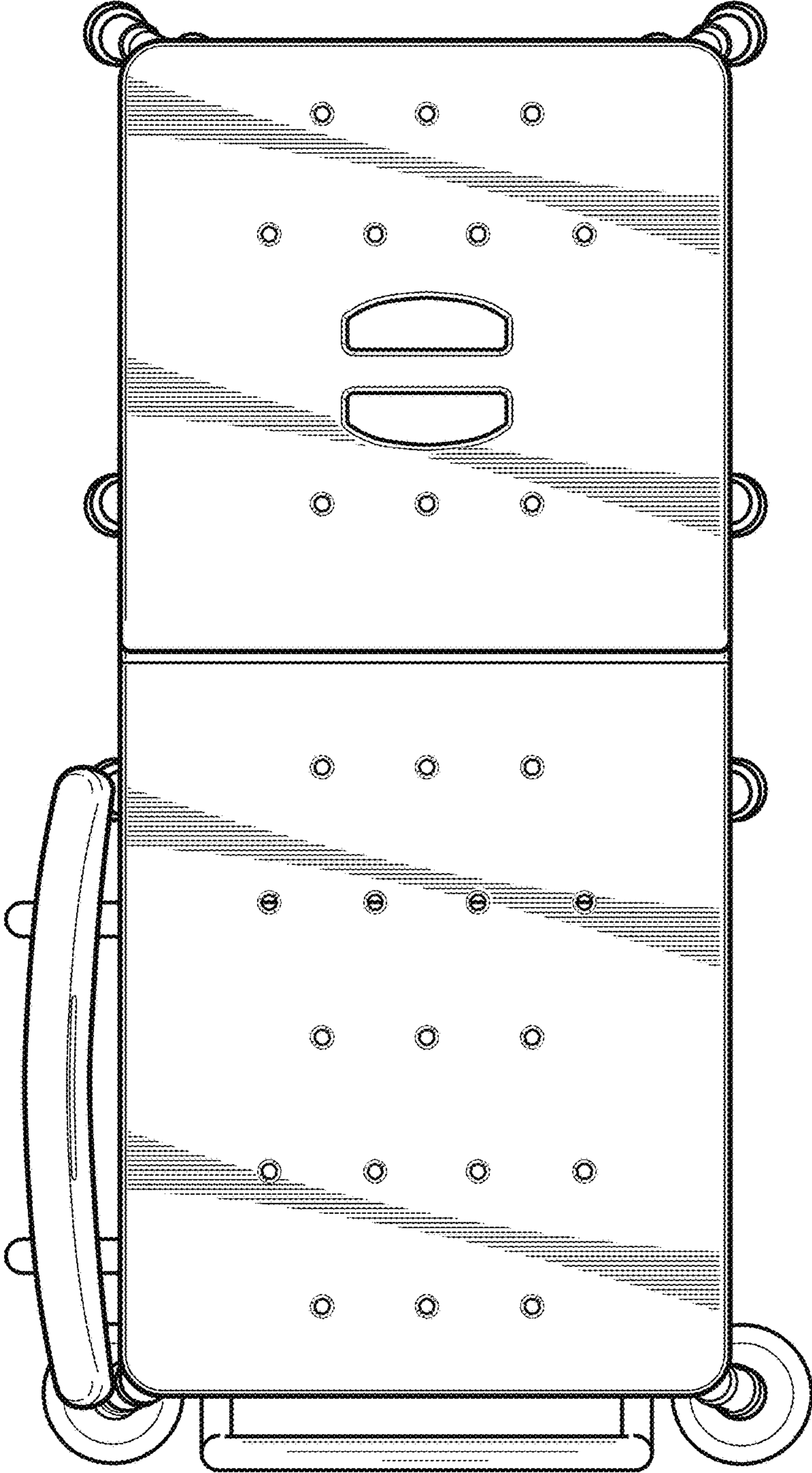


FIG. 7

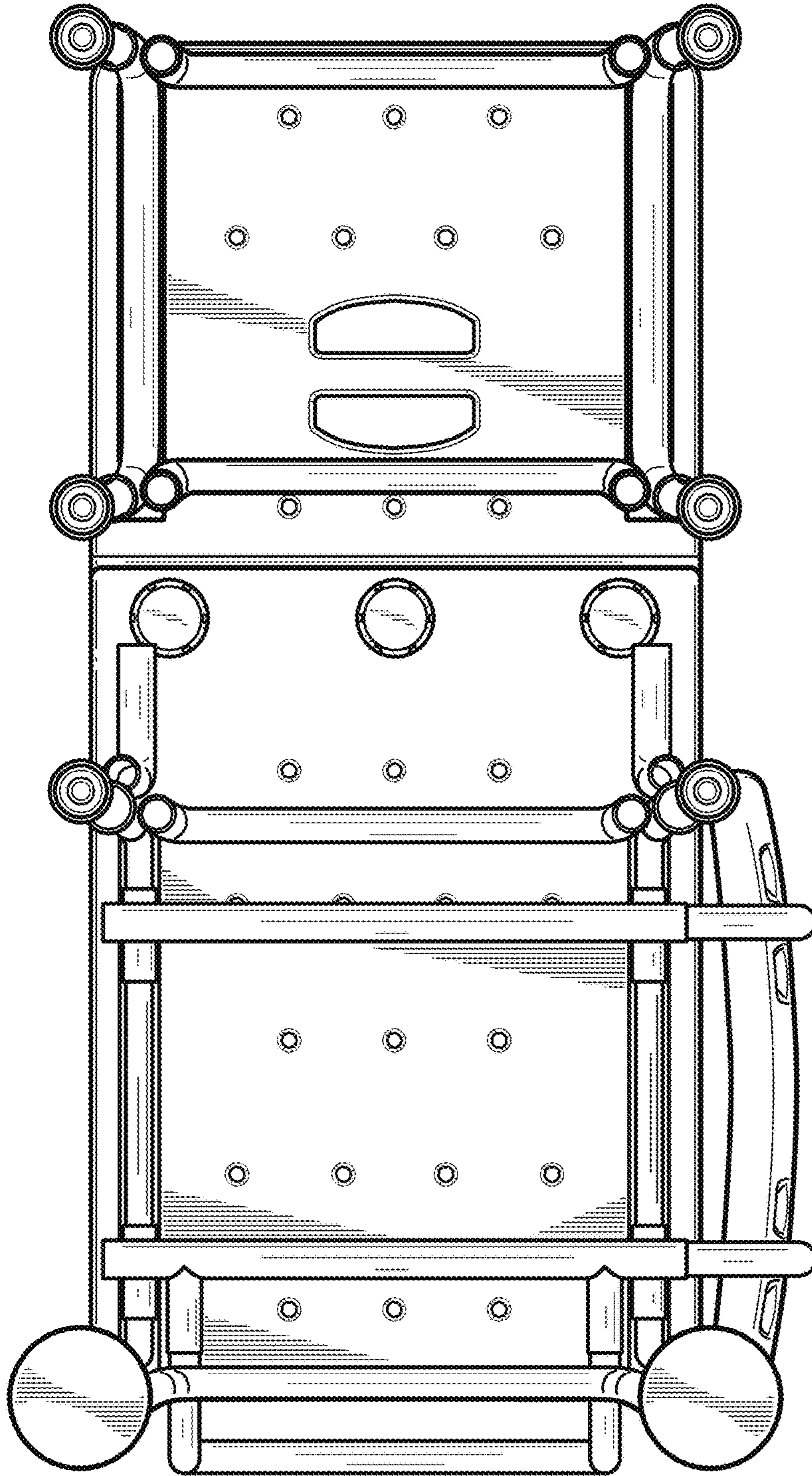


FIG. 8

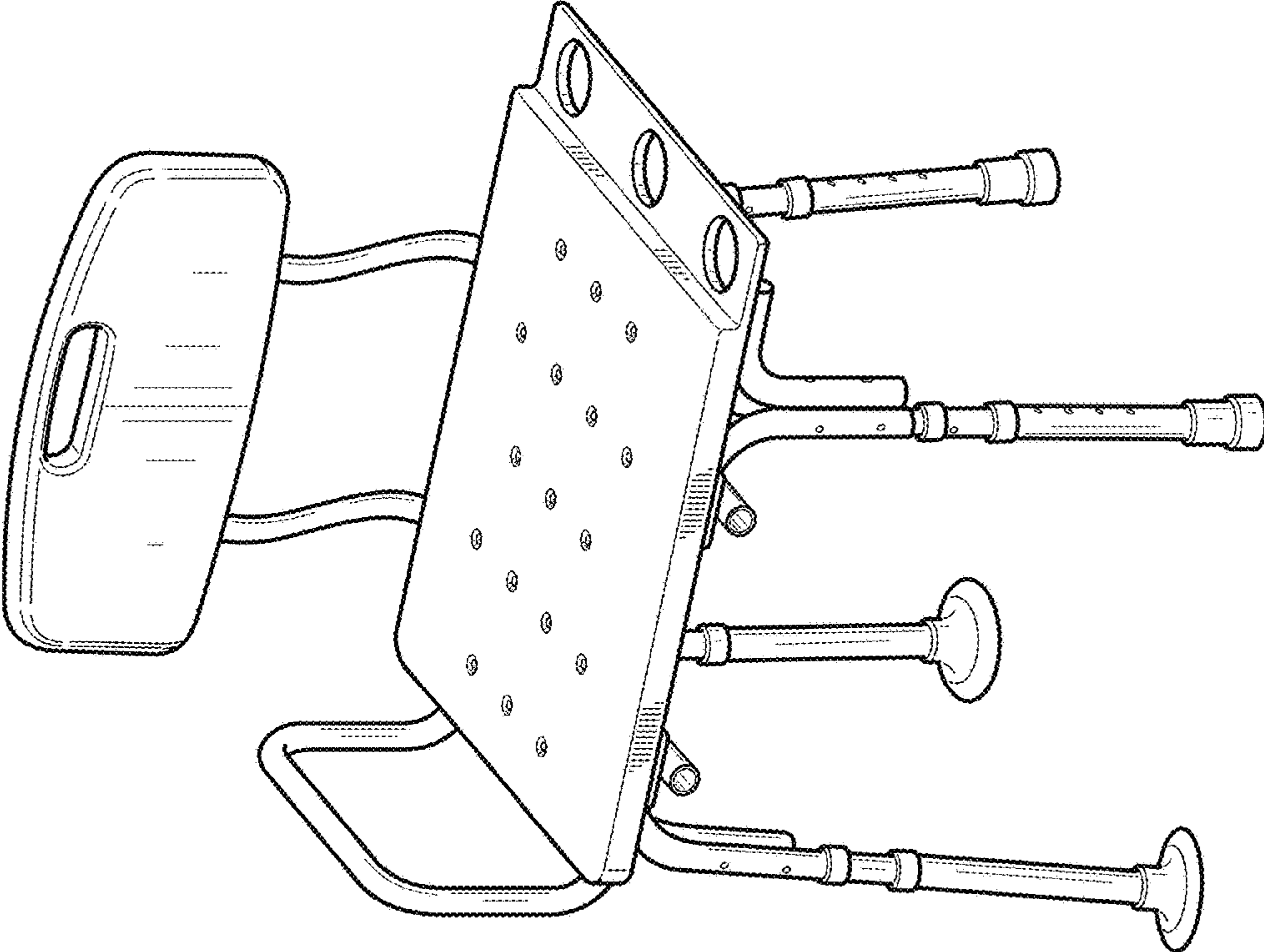


FIG. 9

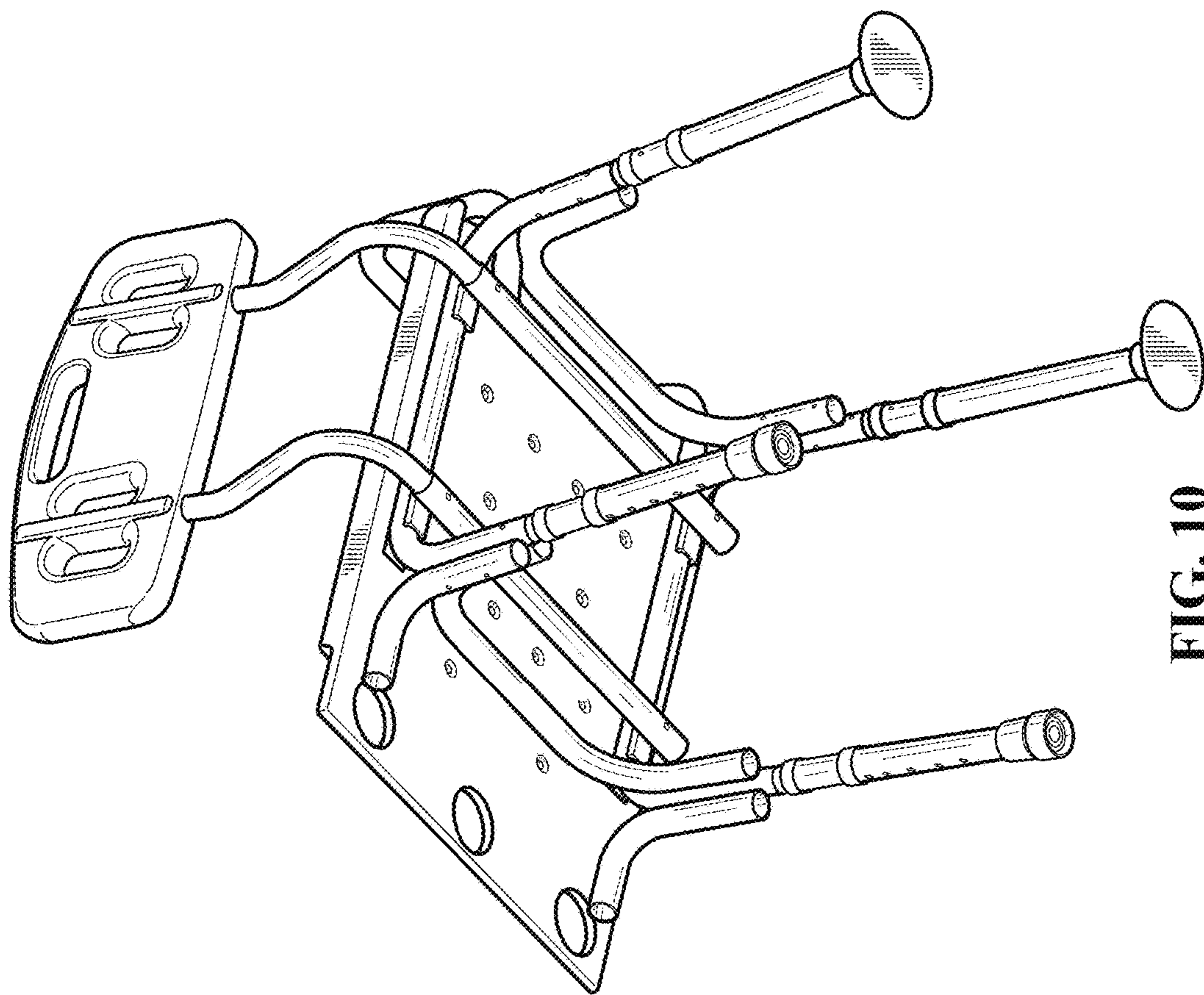


FIG. 10

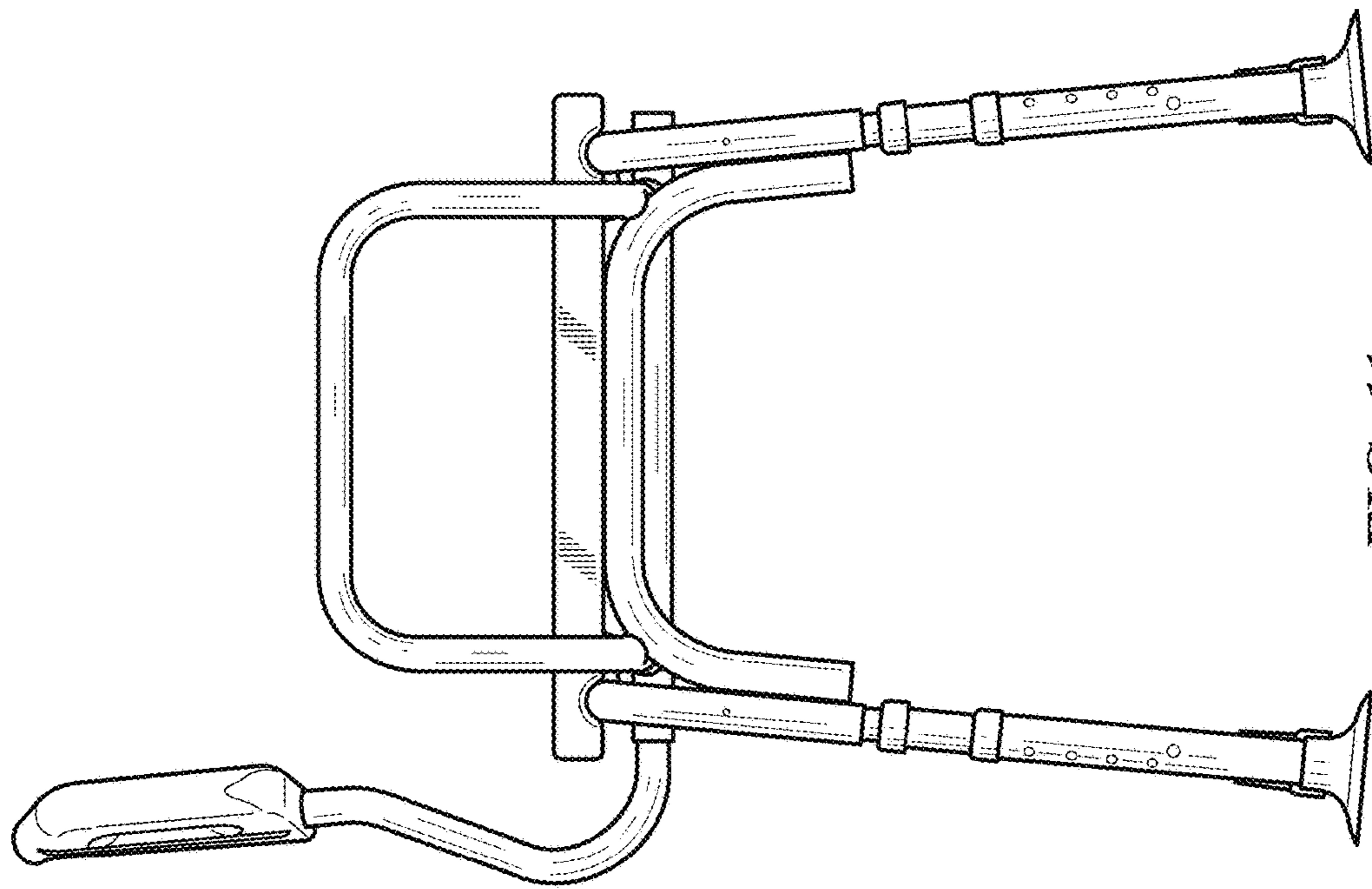


FIG. 11

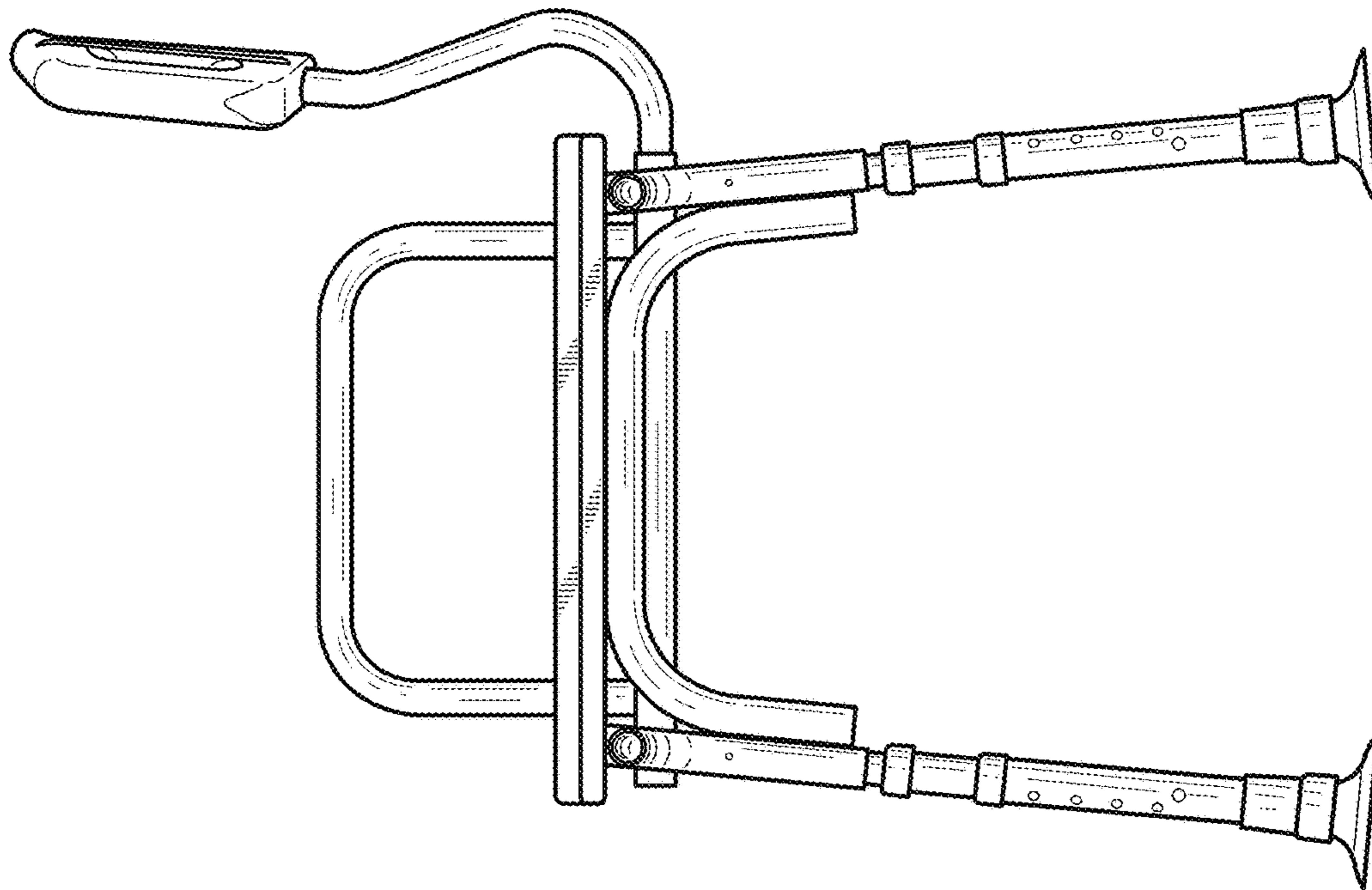


FIG. 12

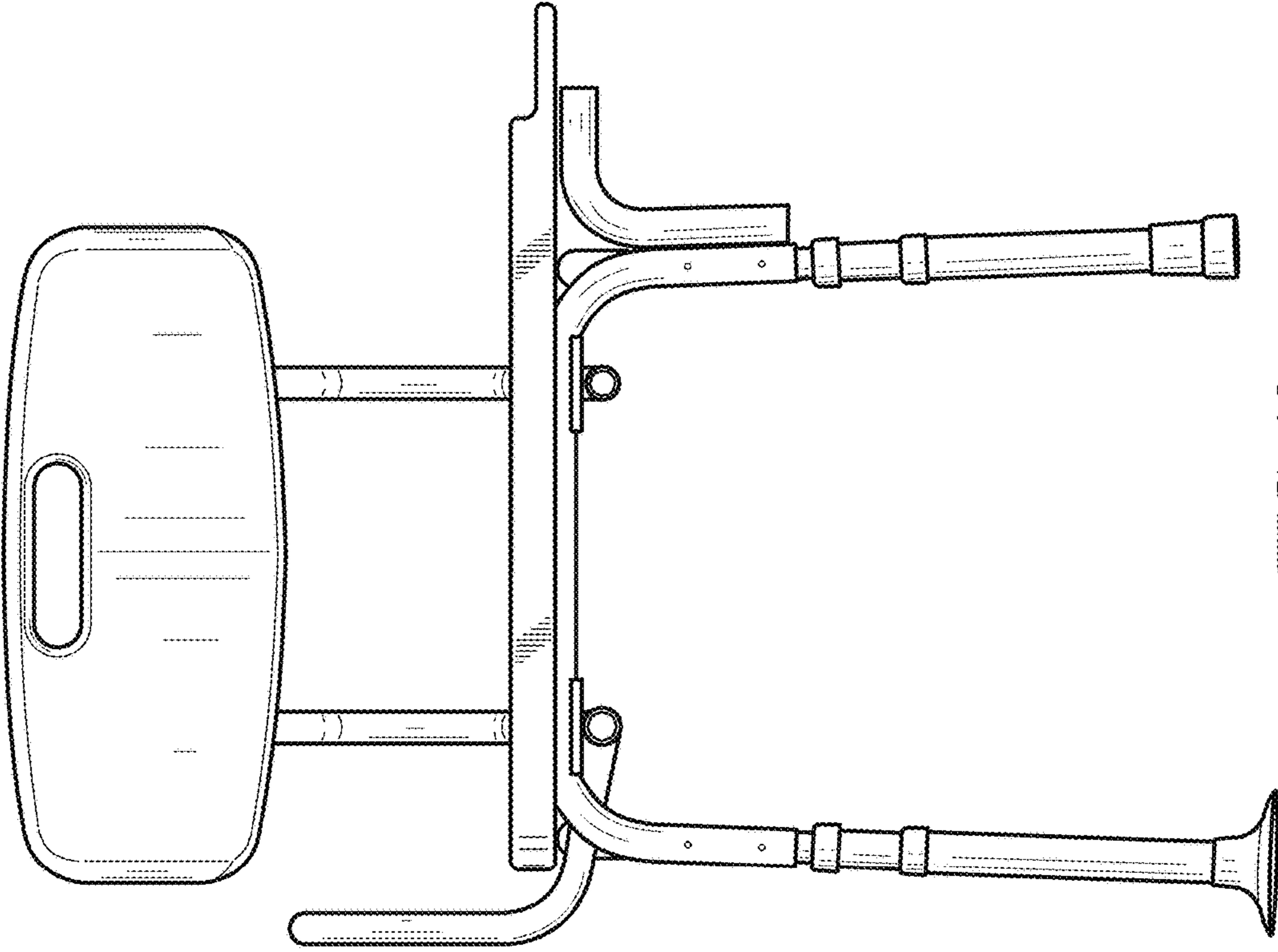


FIG. 13

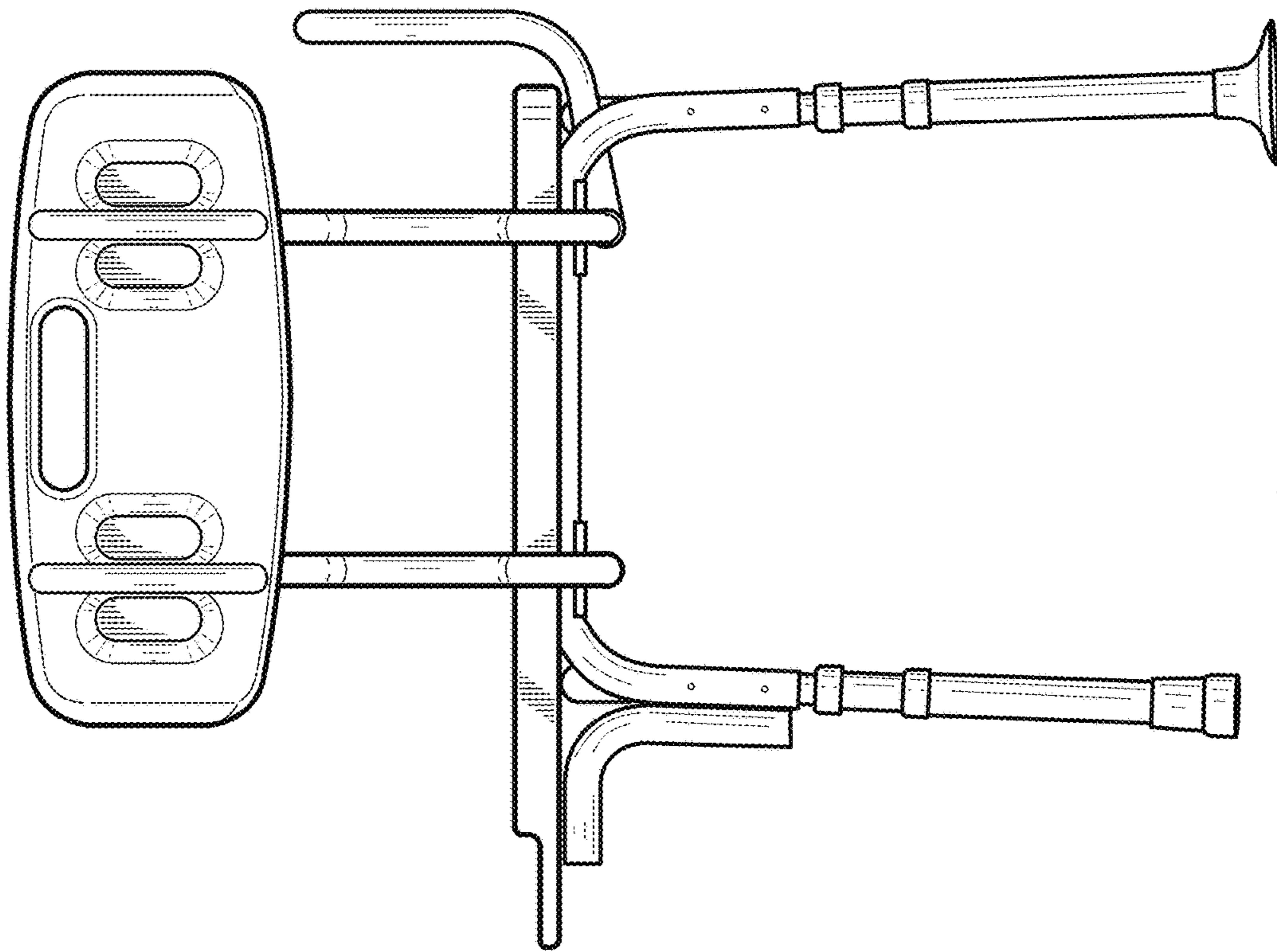


FIG. 14

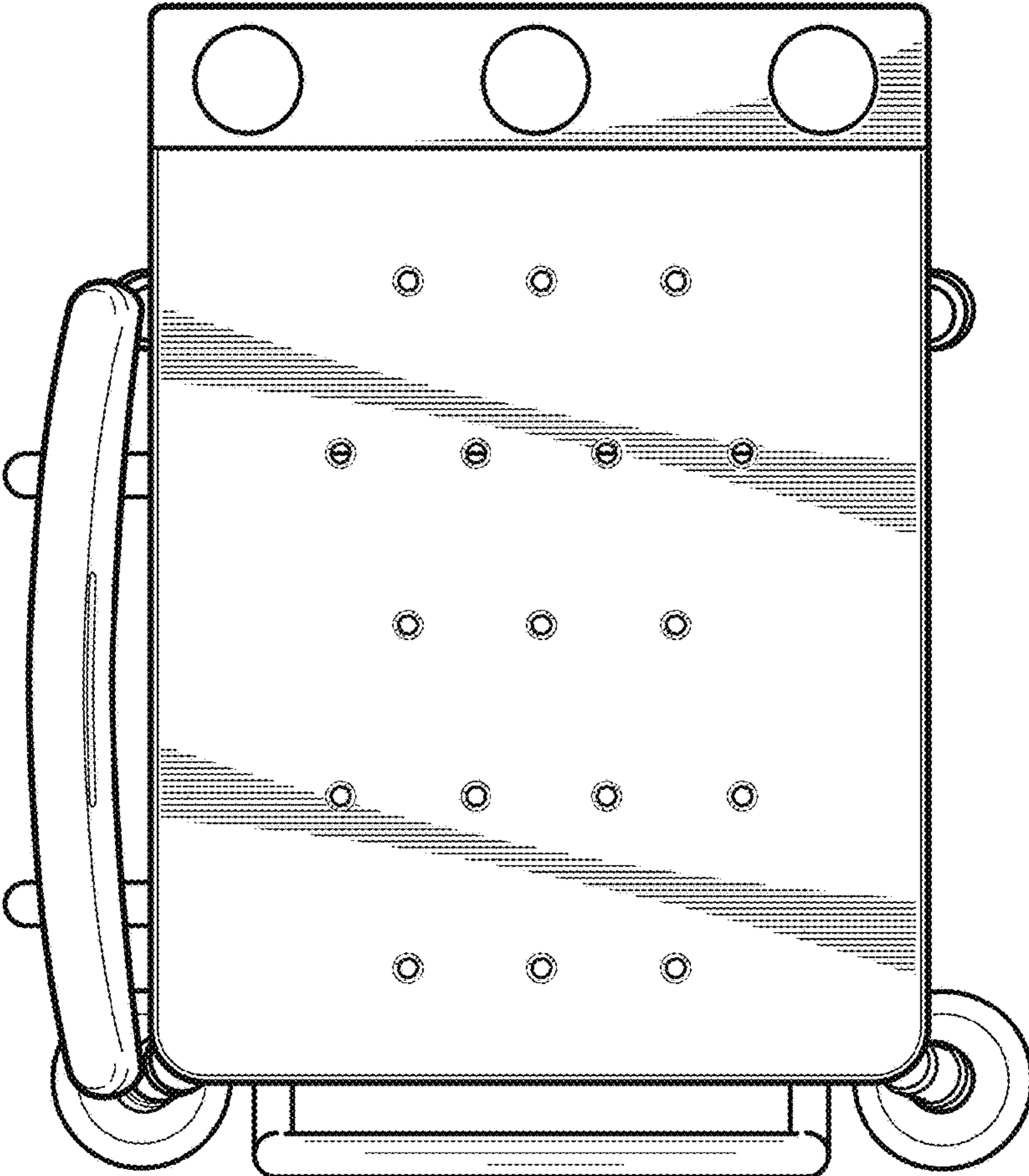


FIG. 15

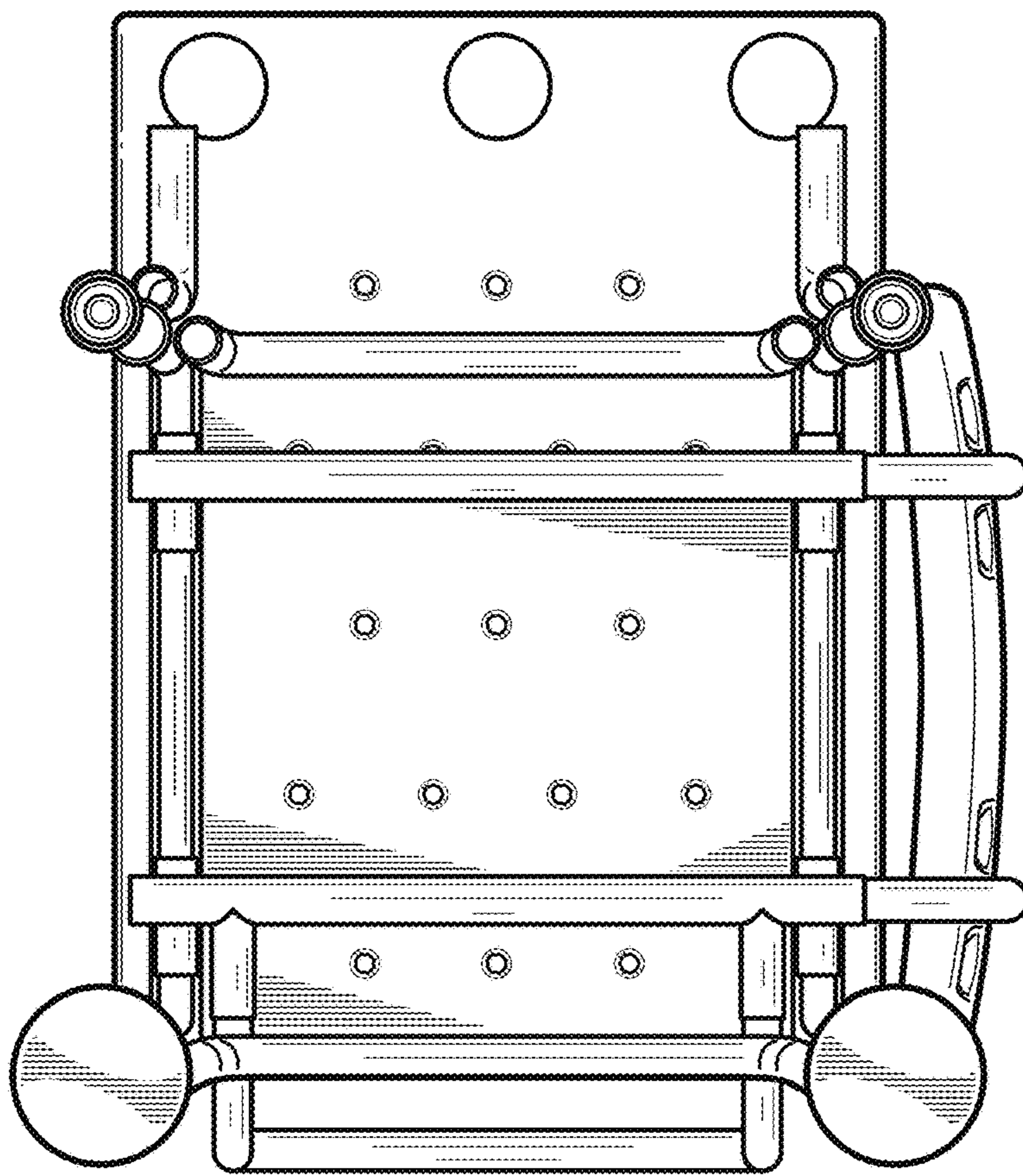


FIG. 16

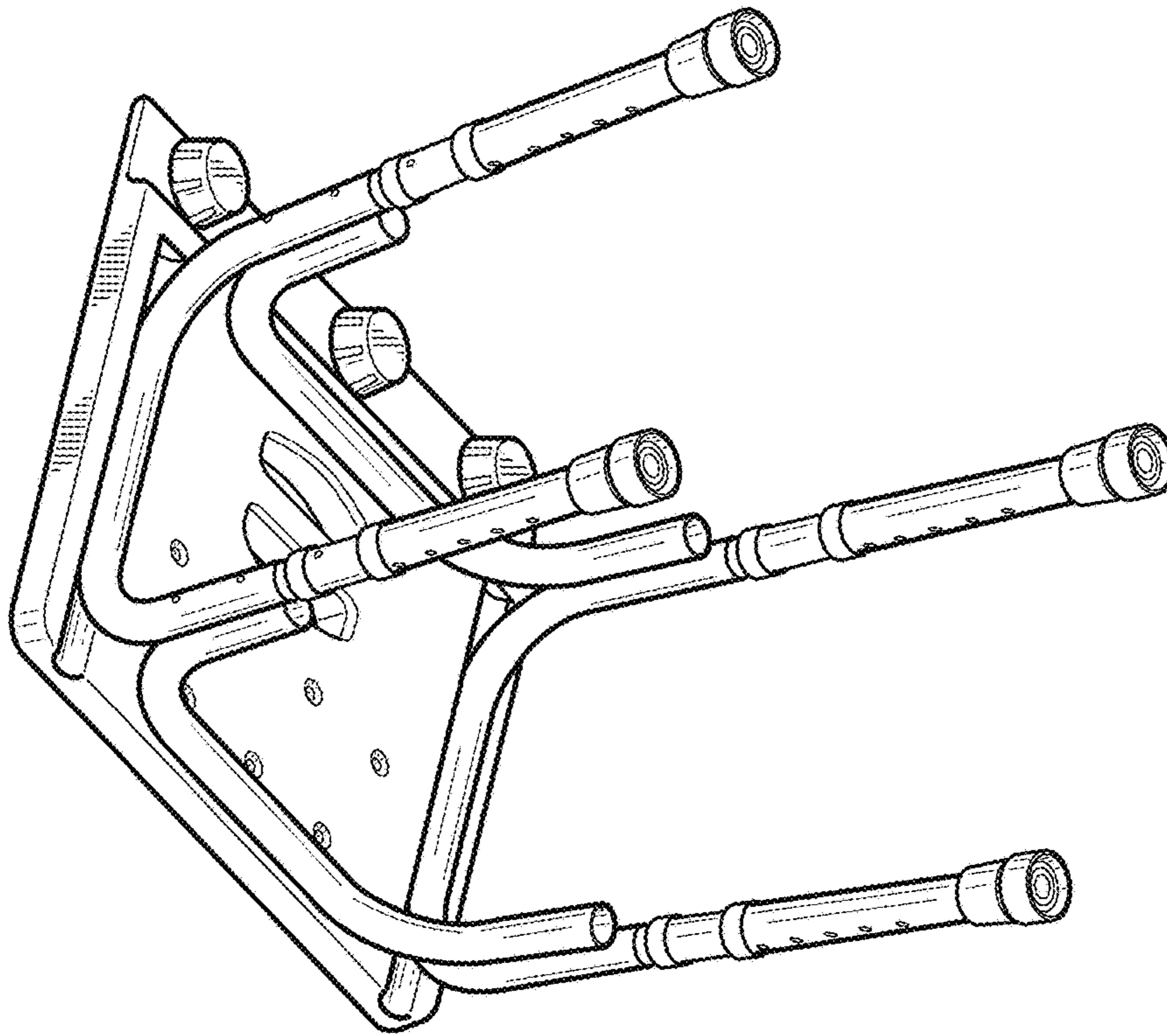


FIG. 17

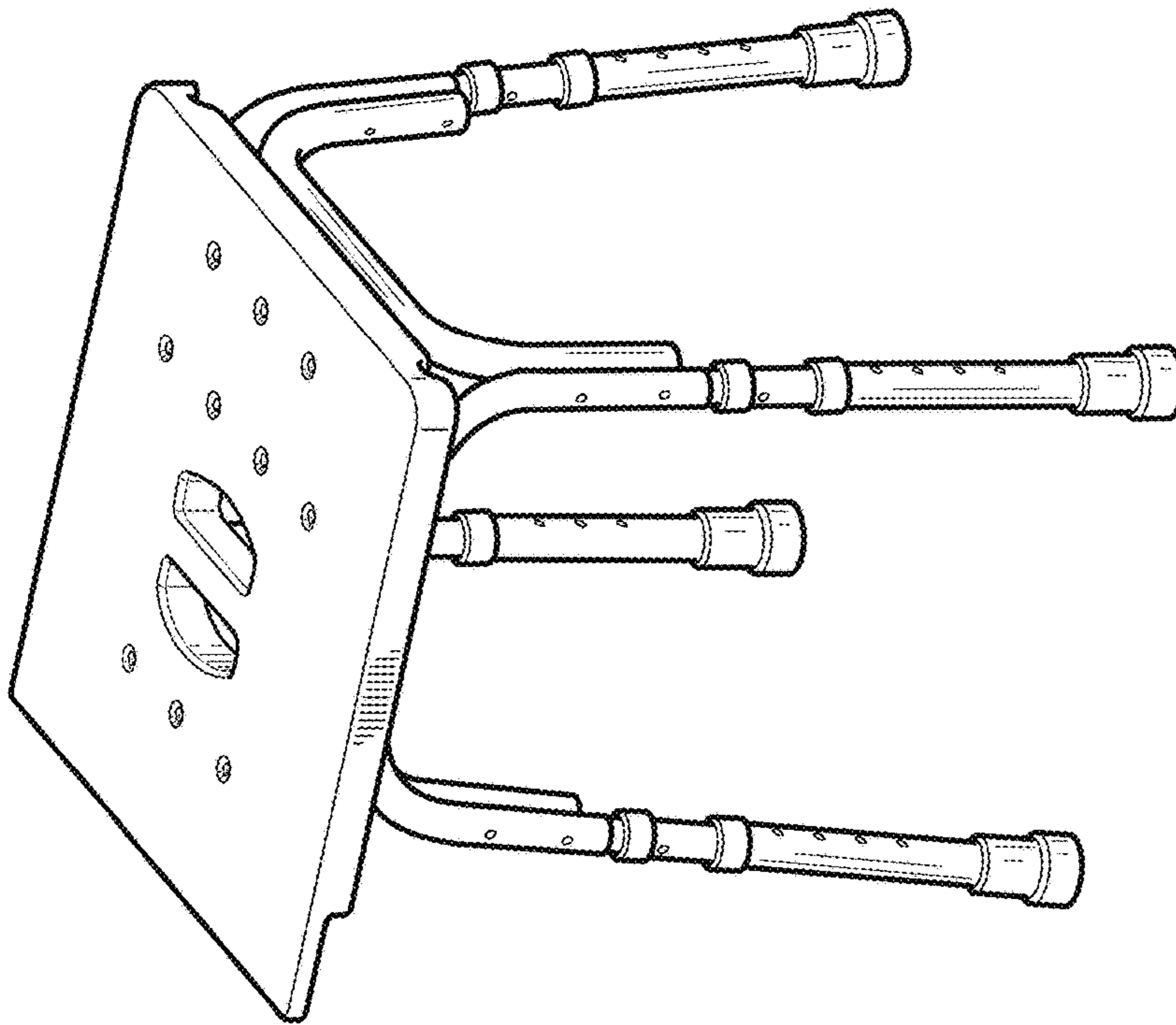


FIG. 18

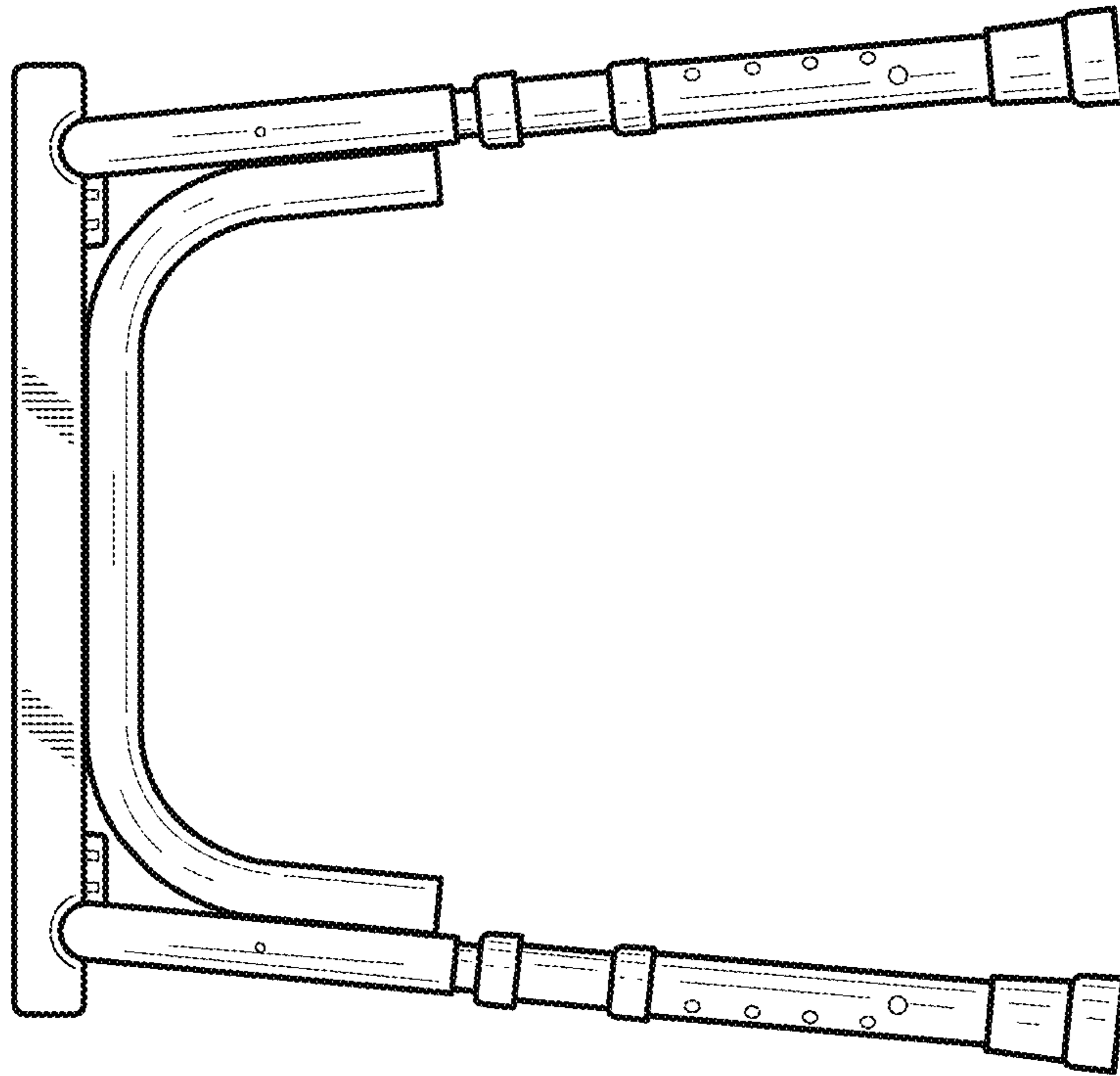


FIG. 20

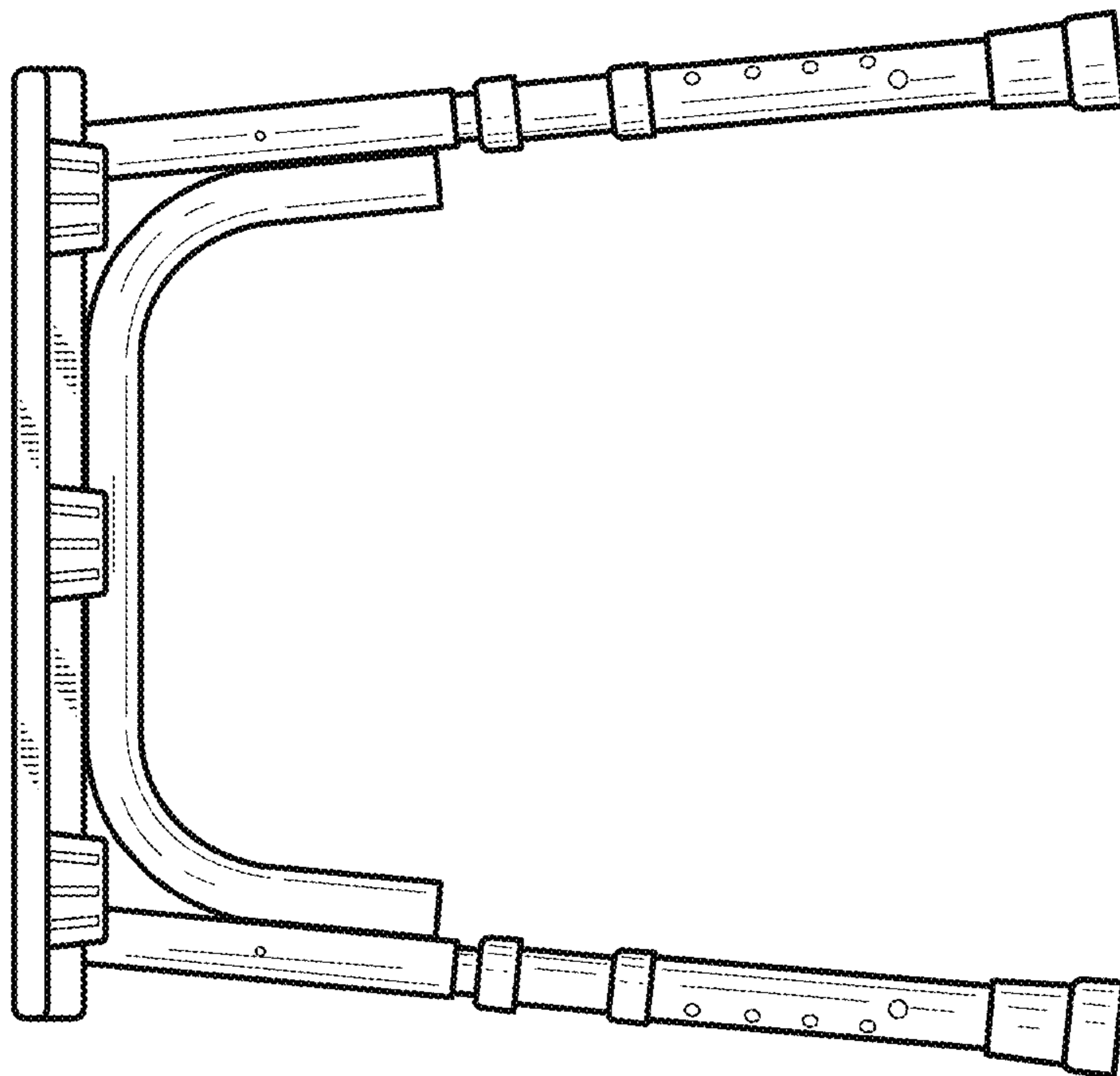


FIG. 19

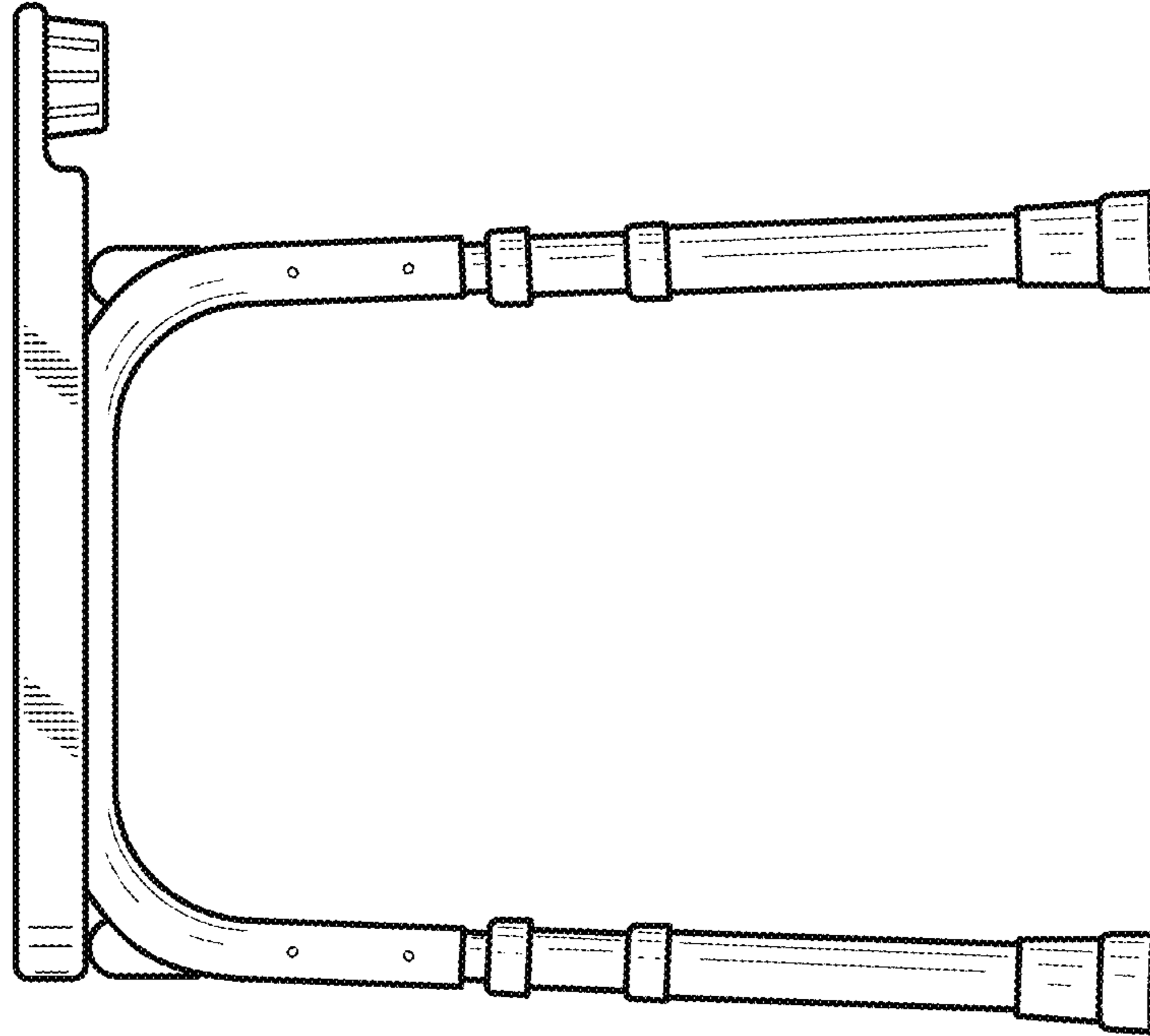


FIG. 22

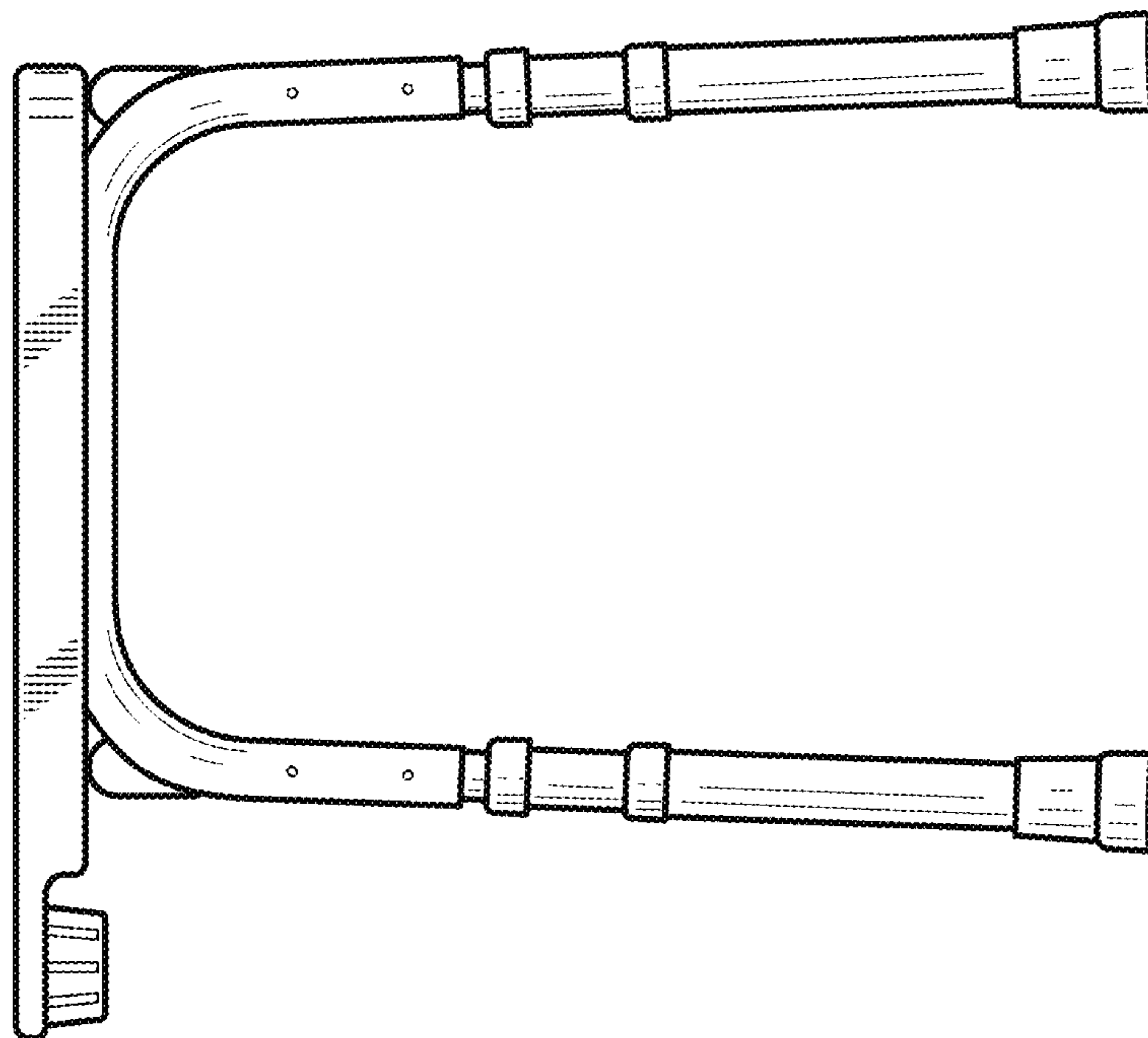


FIG. 21

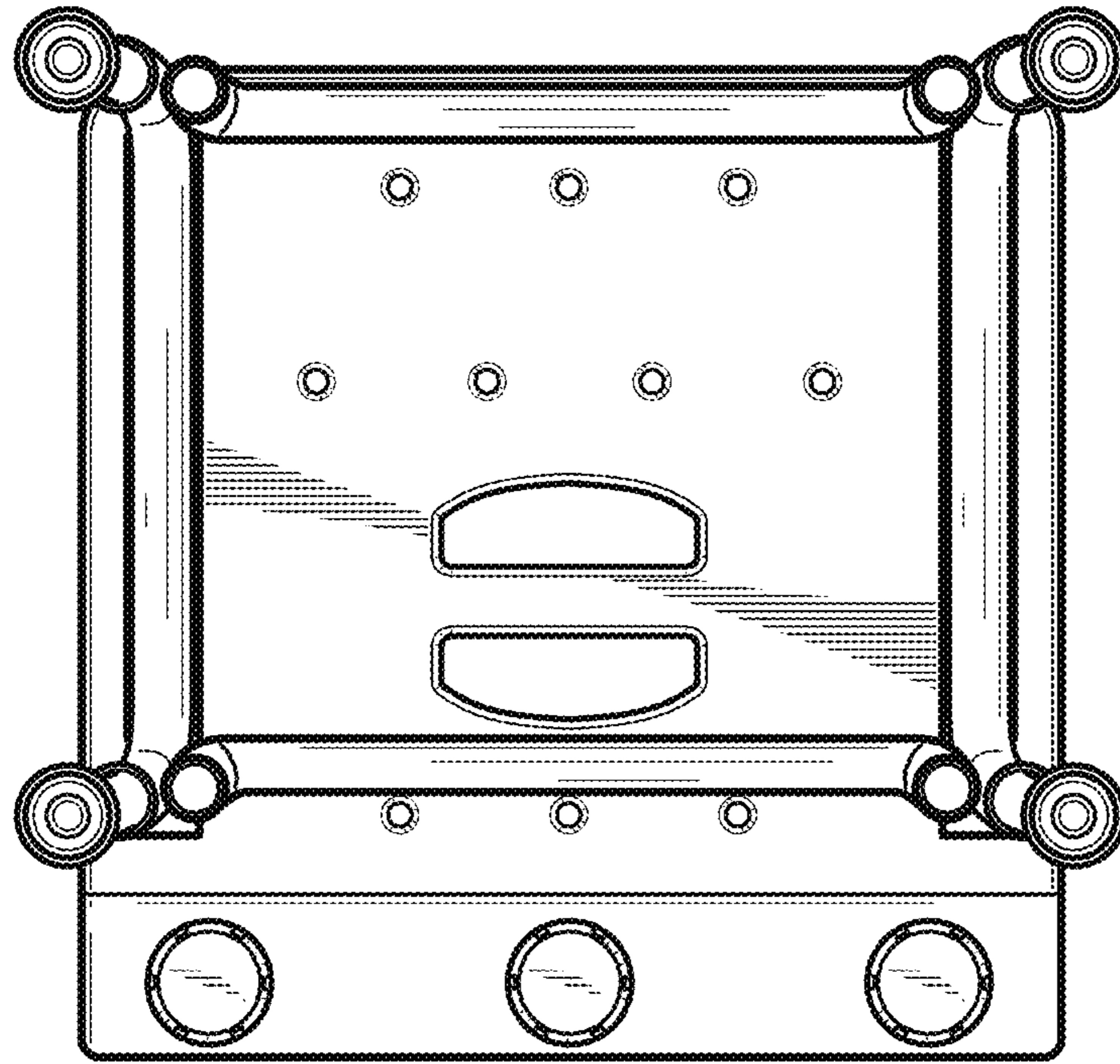


FIG. 24

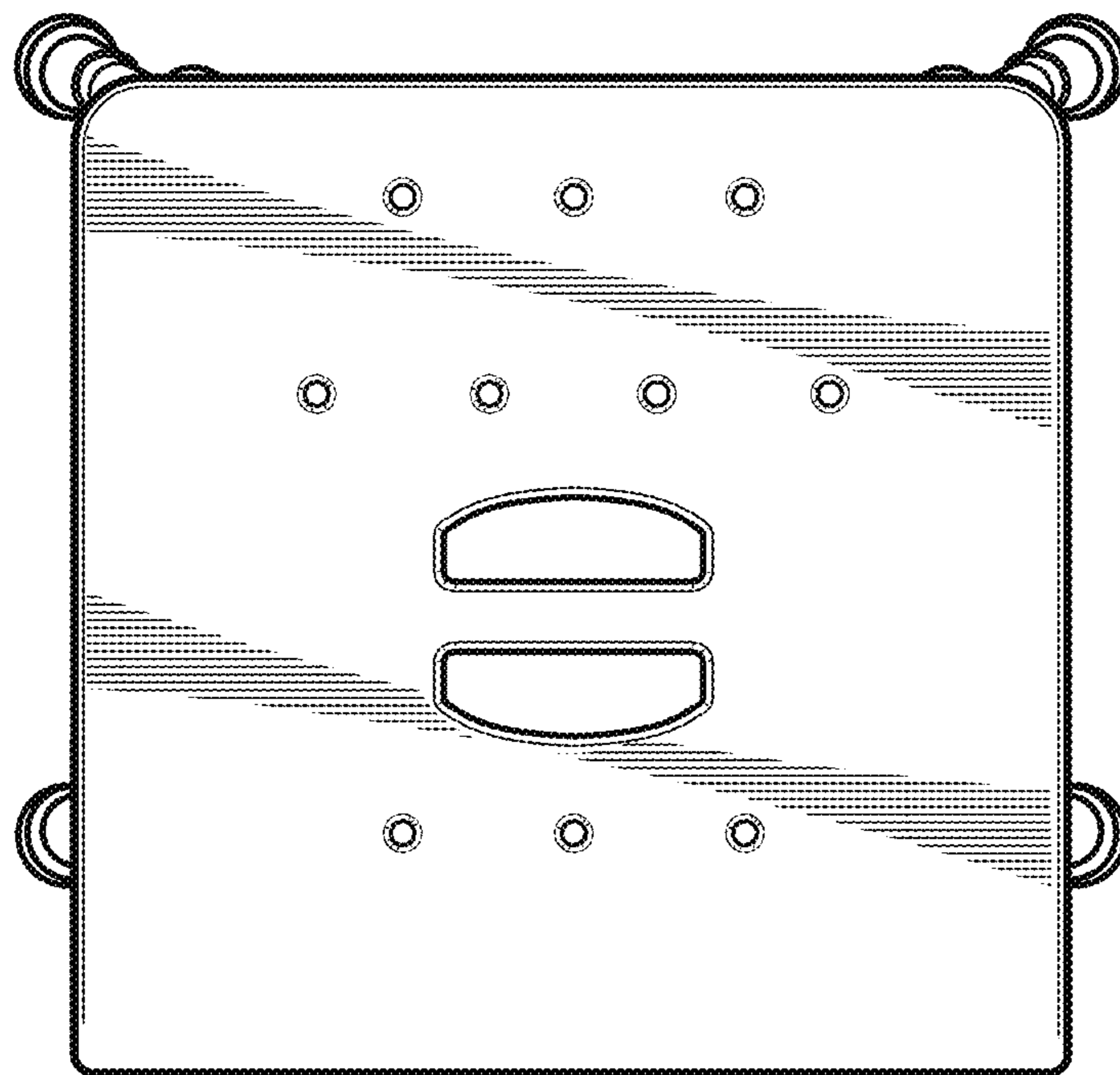


FIG. 23

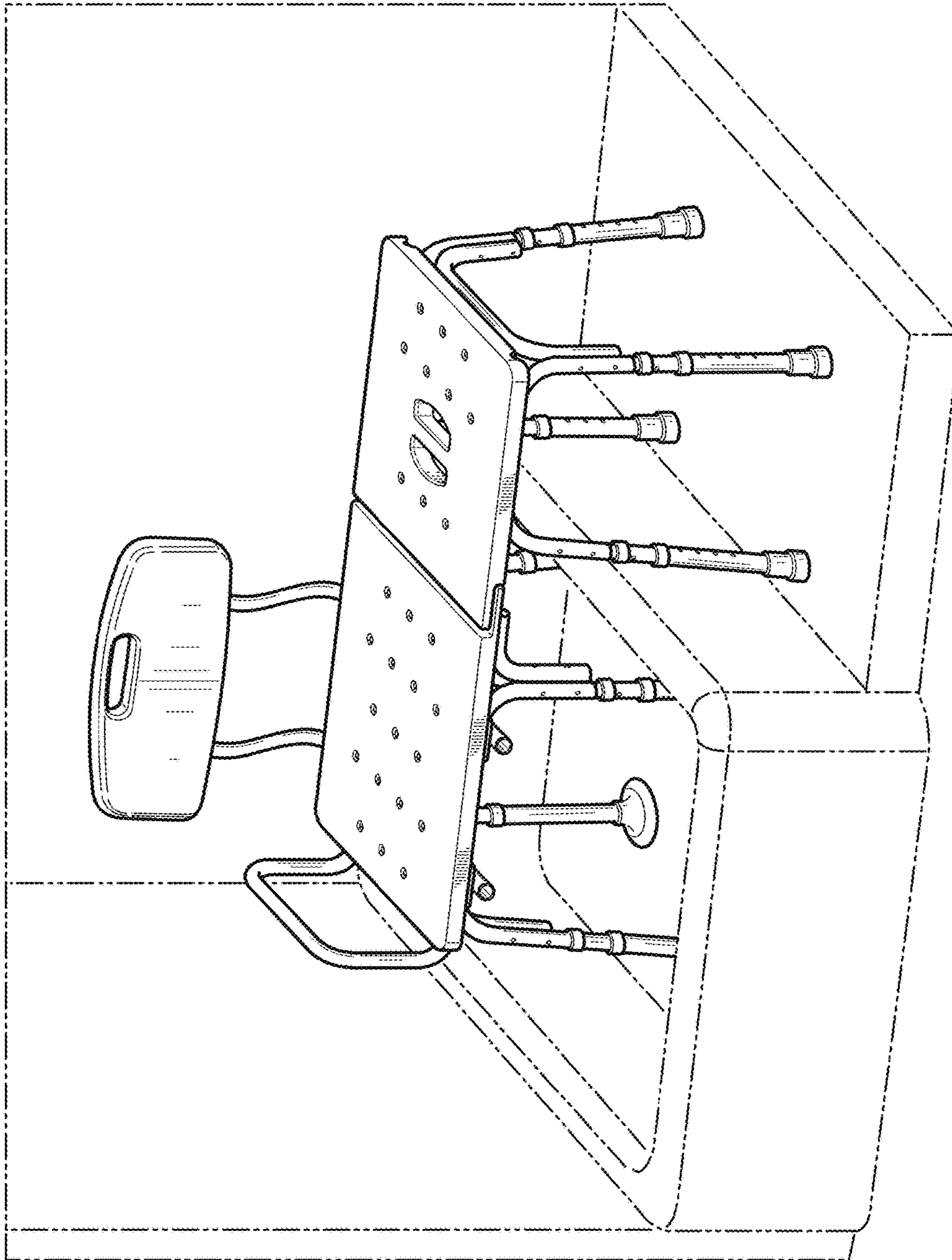


FIG. 25