



US00D878792S

(12) **United States Design Patent**  
**Urquiola**

(10) **Patent No.:** **US D878,792 S**

(45) **Date of Patent:** **\*\* Mar. 24, 2020**

(54) **CHAIR**

(71) Applicant: **Haworth, Inc.**, Holland, MI (US)

(72) Inventor: **Patricia Urquiola**, Milan (IT)

(73) Assignee: **Haworth, Inc.**, Holland, MI (US)

(\*\*) Term: **15 Years**

(21) Appl. No.: **29/644,851**

(22) Filed: **Apr. 20, 2018**

(51) **LOC (12) Cl.** ..... **06-01**

(52) **U.S. Cl.**  
USPC ..... **D6/374**

(58) **Field of Classification Search**  
USPC ..... D6/334-336, 371, 372, 373, 374, 375,  
D6/379, 380, 716, 716.1, 716.2, 716.3,  
D6/716.4  
CPC .. A47C 3/04; A47C 4/02; A47C 4/028; A47C  
4/03; A47C 4/08; A47C 7/16; A47C 7/18;  
A47C 7/24  
See application file for complete search history.

(56) **References Cited**

**U.S. PATENT DOCUMENTS**

D166,893 S	*	5/1952	Weill	.....	D6/374
D233,808 S	*	12/1974	Arlesheim	.....	D6/366
D236,173 S	*	8/1975	Arlesheim	.....	D6/366
D308,605 S	*	6/1990	Uecker	.....	D6/379
D312,003 S	*	11/1990	Muller-Deisig	.....	D6/366
D320,704 S	*	10/1991	Monesi	.....	D6/366
D326,369 S	*	5/1992	Buchacz	.....	D6/366
D368,383 S	*	4/1996	Danko	.....	D6/334

D376,272 S	*	12/1996	Piretti	.....	D6/374
D377,424 S	*	1/1997	Olson	.....	D6/364
D397,258 S	*	8/1998	Heyder	.....	D6/366
D411,395 S	*	6/1999	Edwards	.....	D6/366
D412,417 S	*	8/1999	Jenkins	.....	D6/366

**FOREIGN PATENT DOCUMENTS**

EM 002815365-0003 10/2015

\* cited by examiner

*Primary Examiner* — Mimosa De

(74) *Attorney, Agent, or Firm* — Warner Norcross + Judd LLP

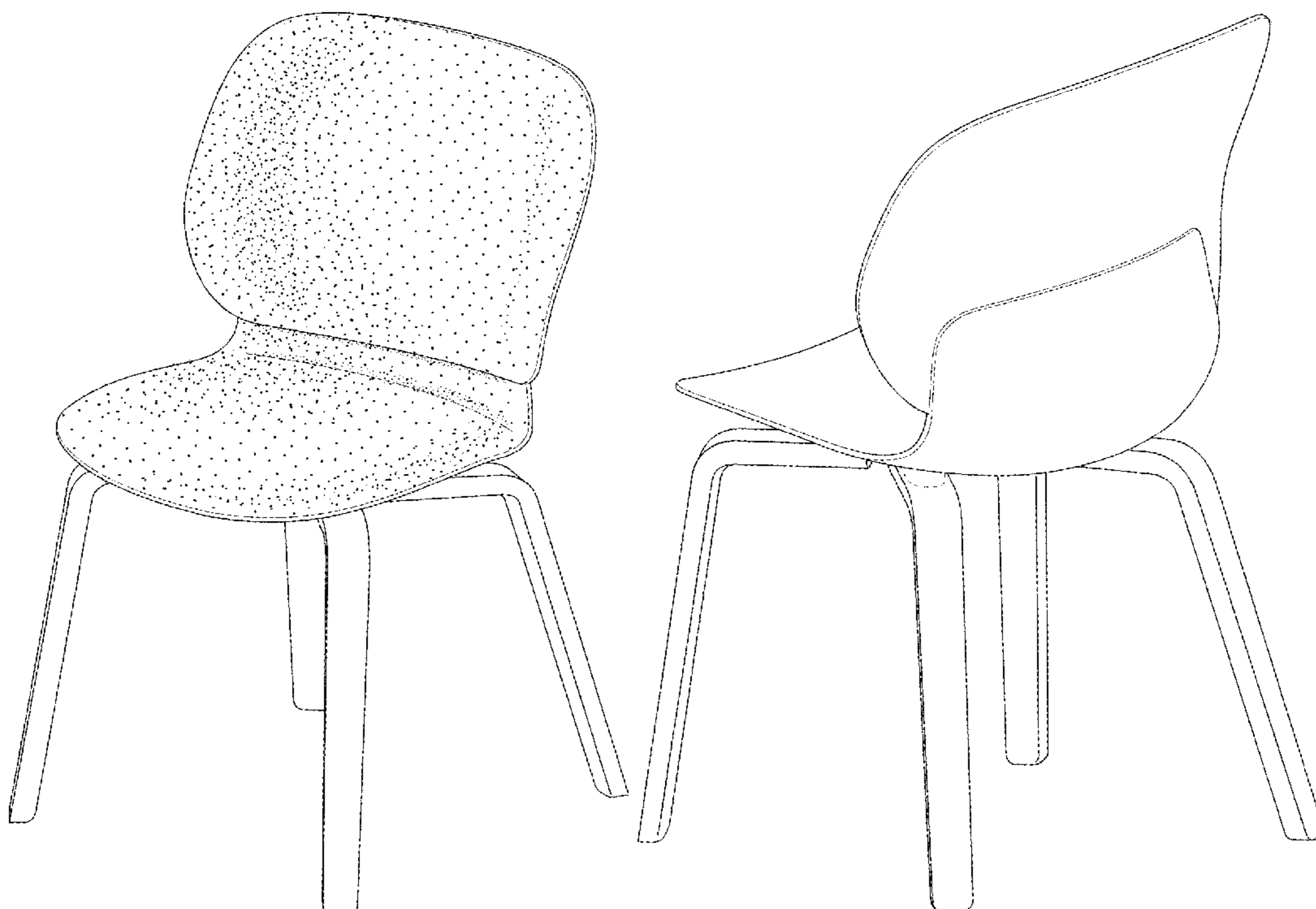
(57) **CLAIM**

The ornamental design for a chair, as shown and described.

**DESCRIPTION**

FIG. 1 is a front perspective view of the chair embodying the new design;  
FIG. 2 is a rear perspective view thereof;  
FIG. 3 is a front view thereof;  
FIG. 4 is a rear view thereof;  
FIG. 5 is a right side view thereof;  
FIG. 6 is a left side view thereof;  
FIG. 7 is a top view thereof; and,  
FIG. 8 is a bottom view thereof.  
FIGS. 2-6 and 8 show portions of a chair in broken lines. The portions shown in broken lines are for environmental purposes only and form no part of the claimed design. Stipple shading is added to FIG. 1 to convey surface contouring; the stipple shading is not to be understood as conveying a particular surface finish.

**1 Claim, 7 Drawing Sheets**



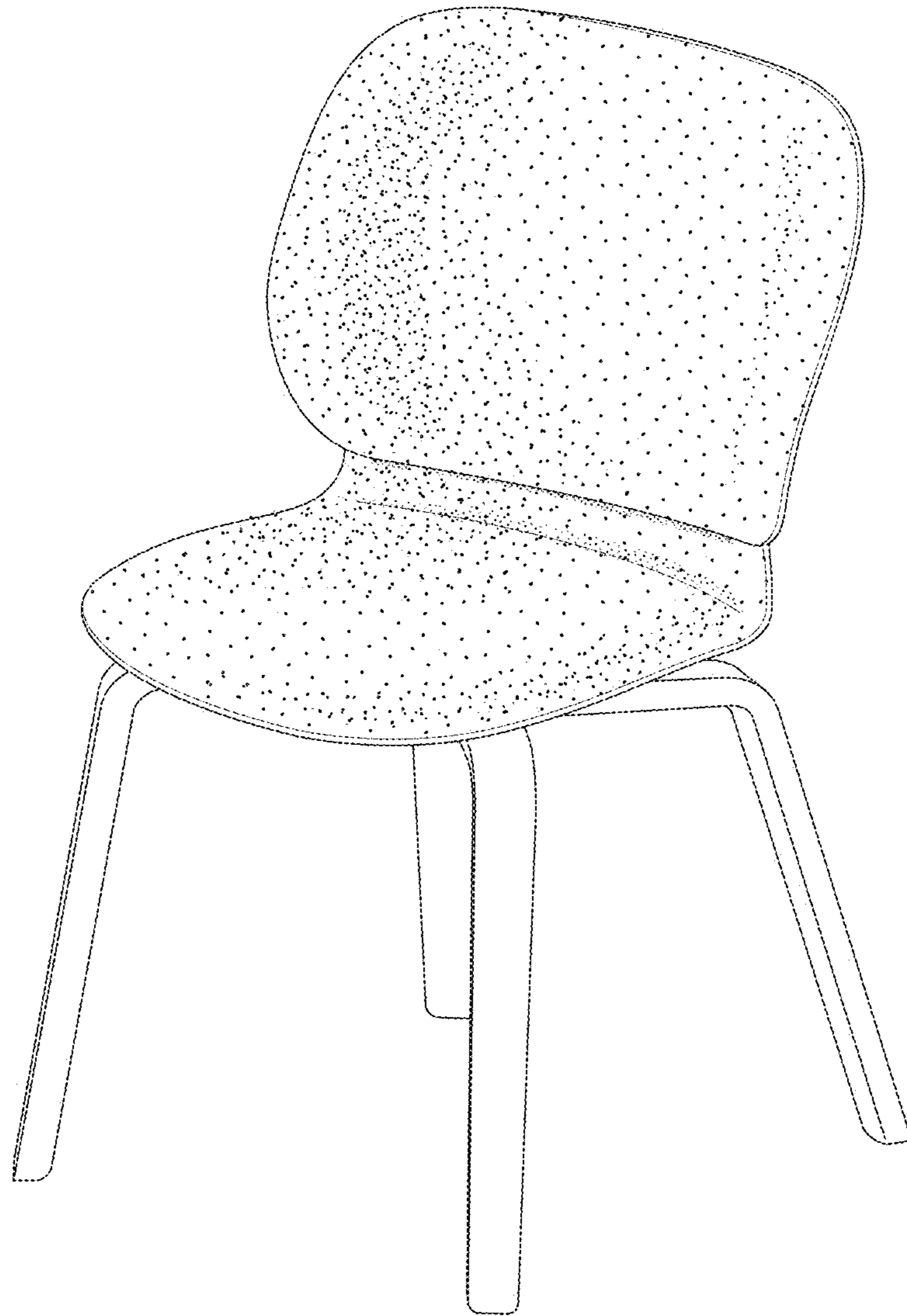


Fig. 1

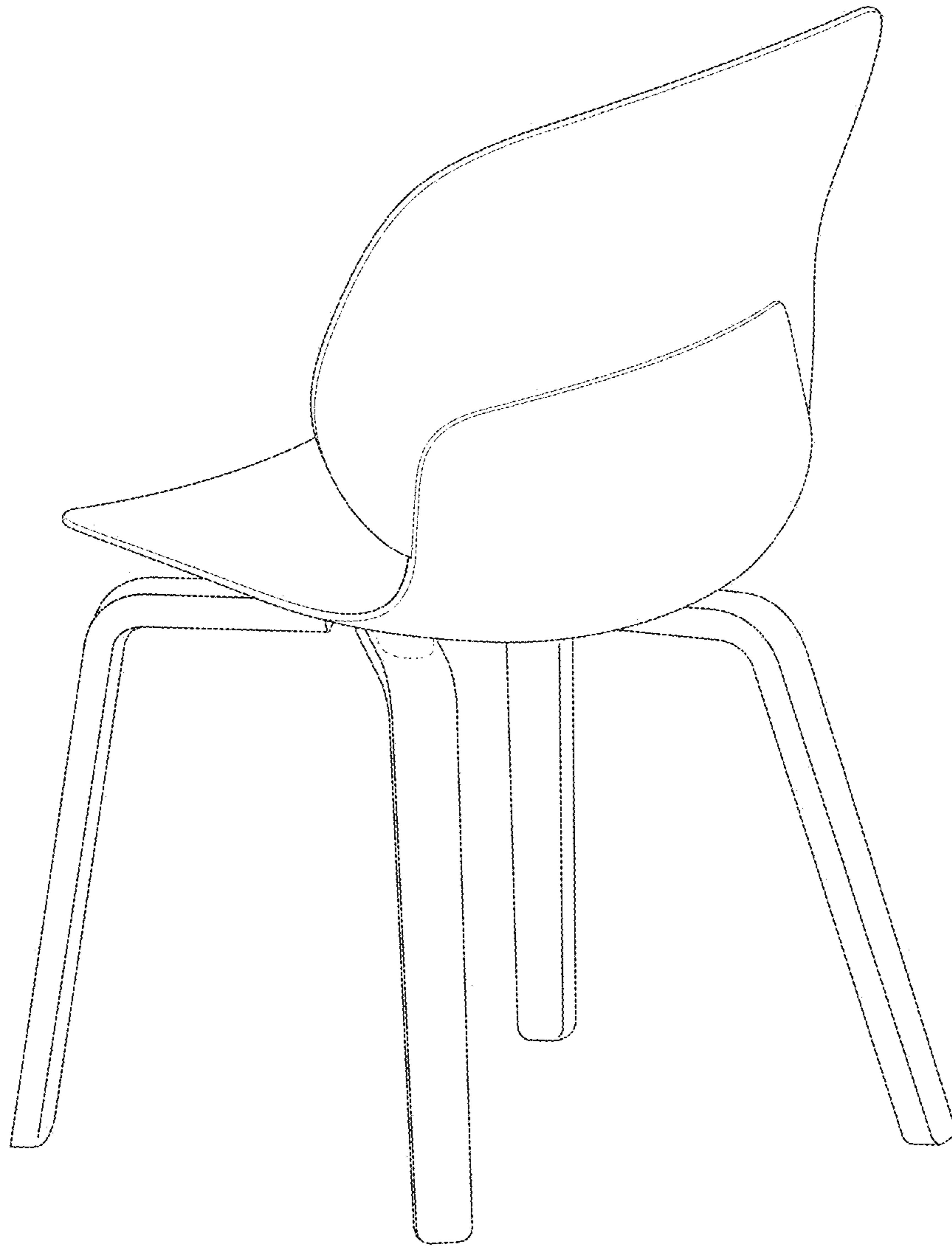


Fig. 2

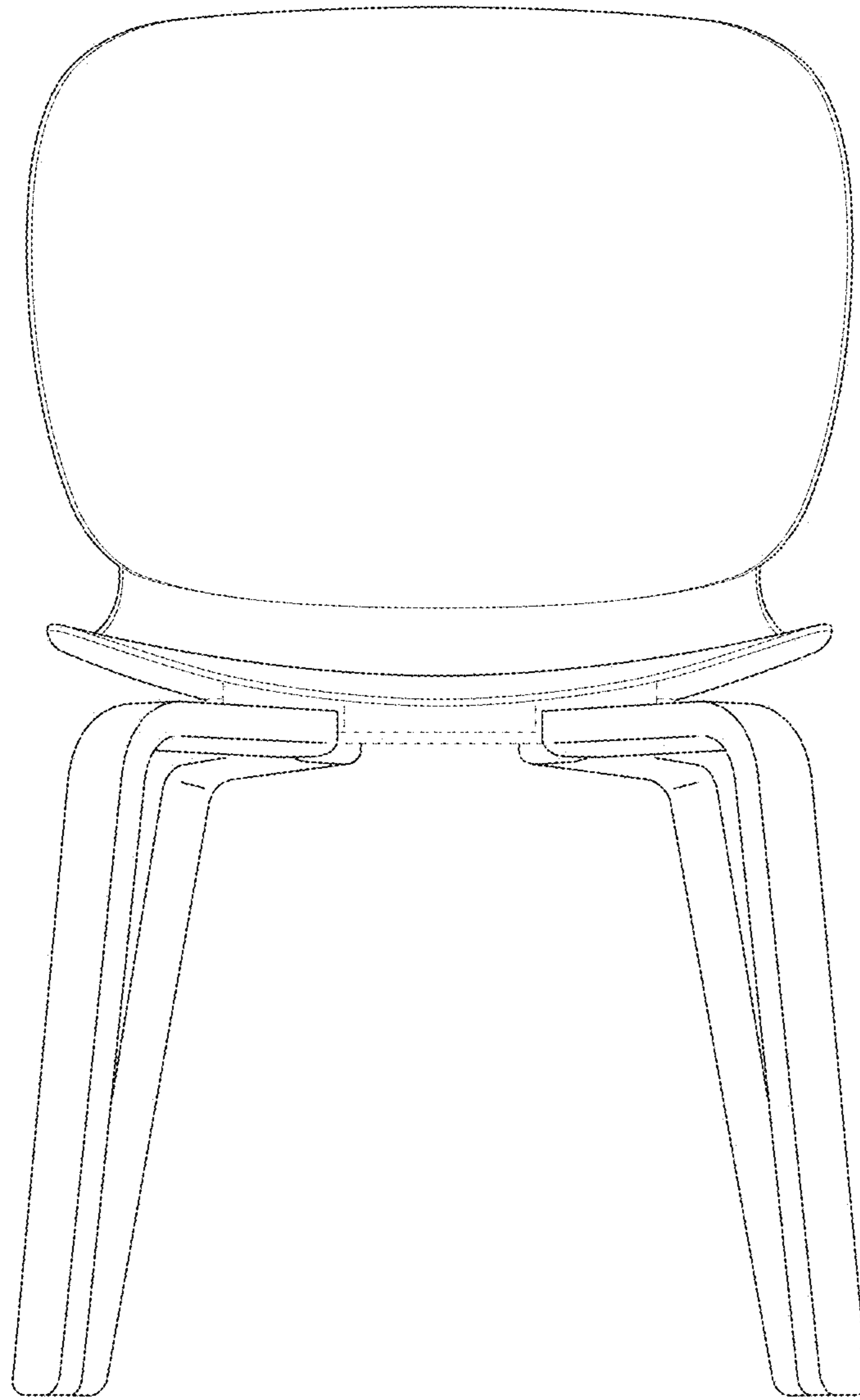


Fig. 3

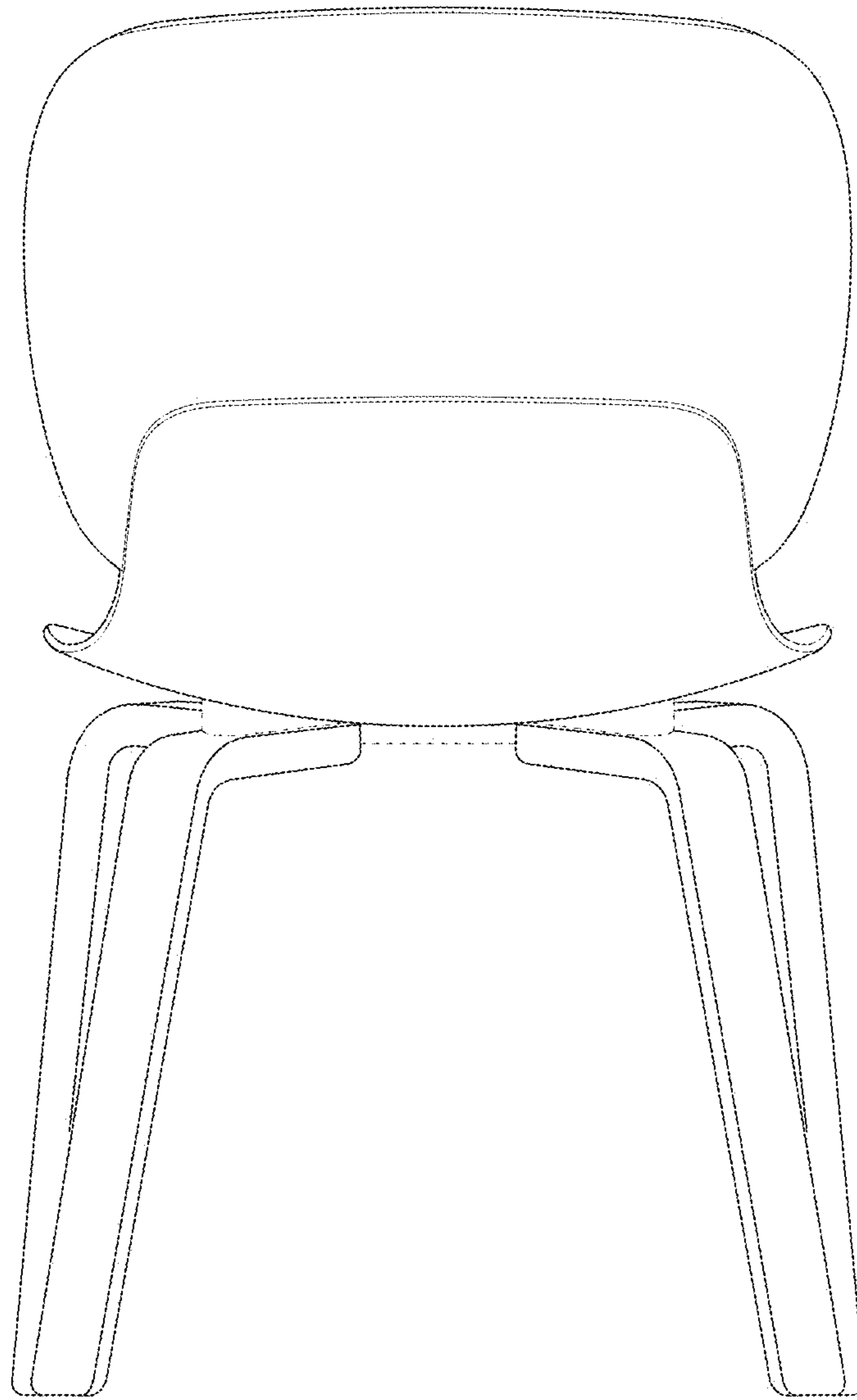


Fig. 4

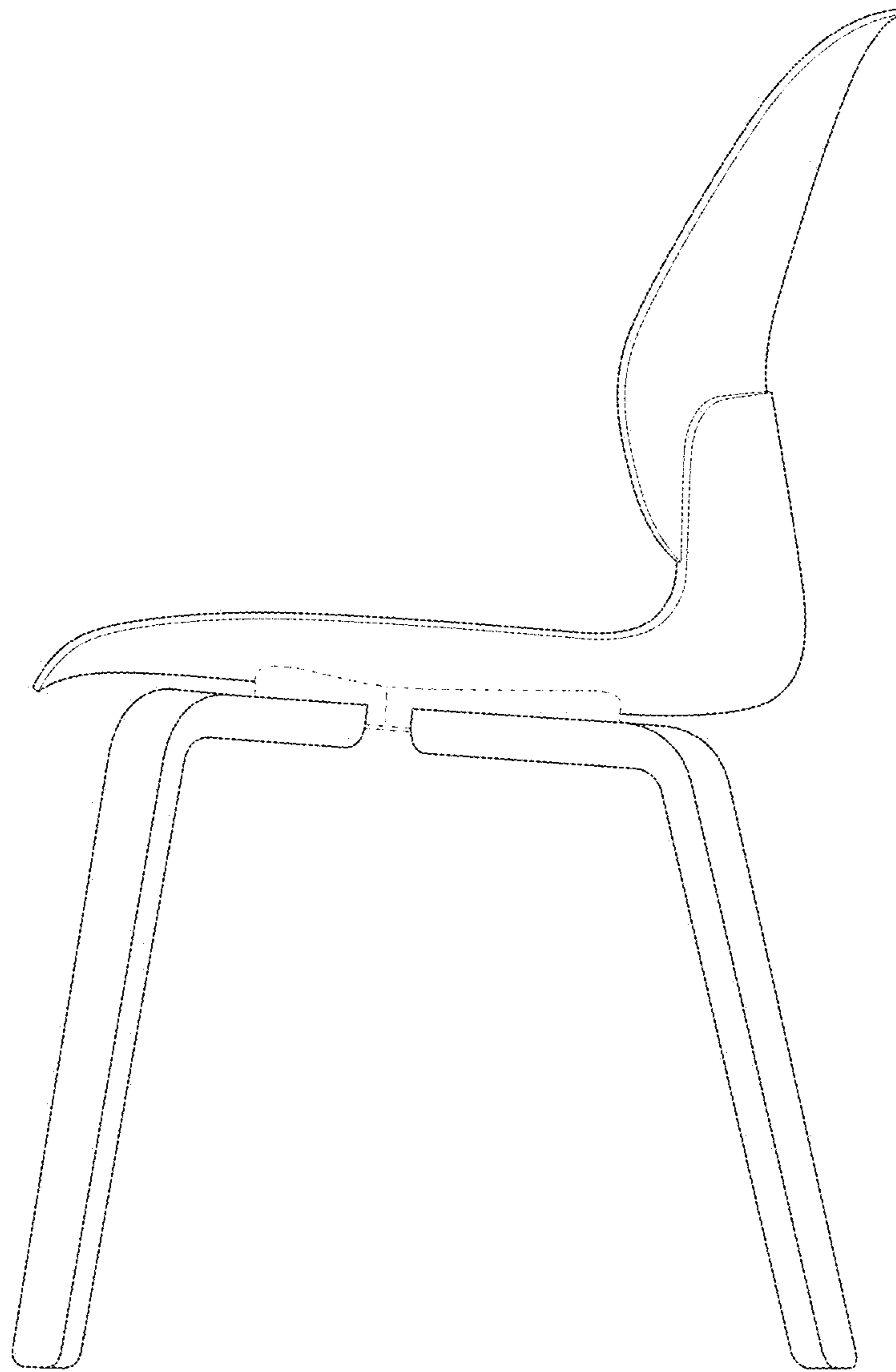


Fig. 5

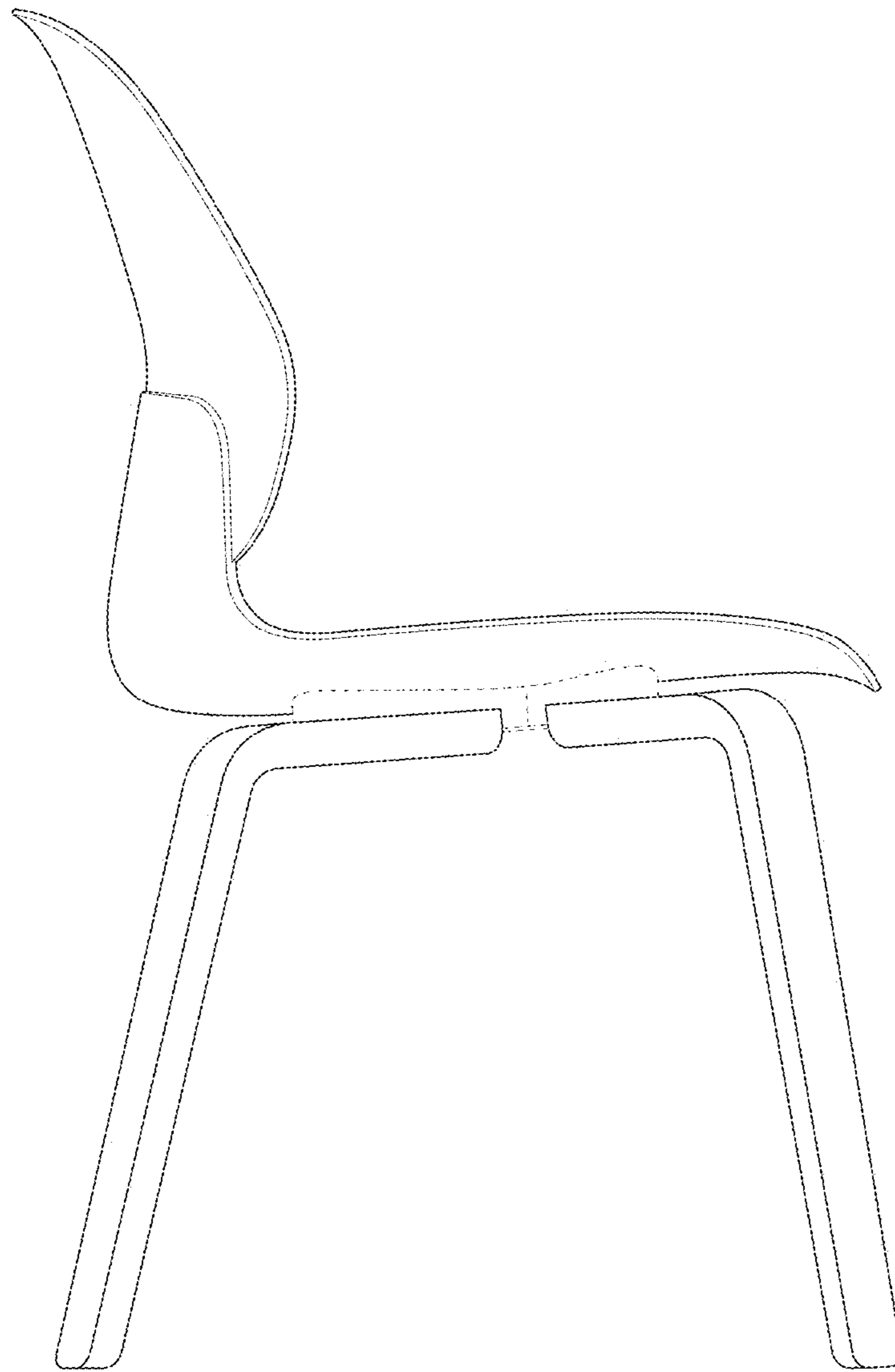


Fig. 6



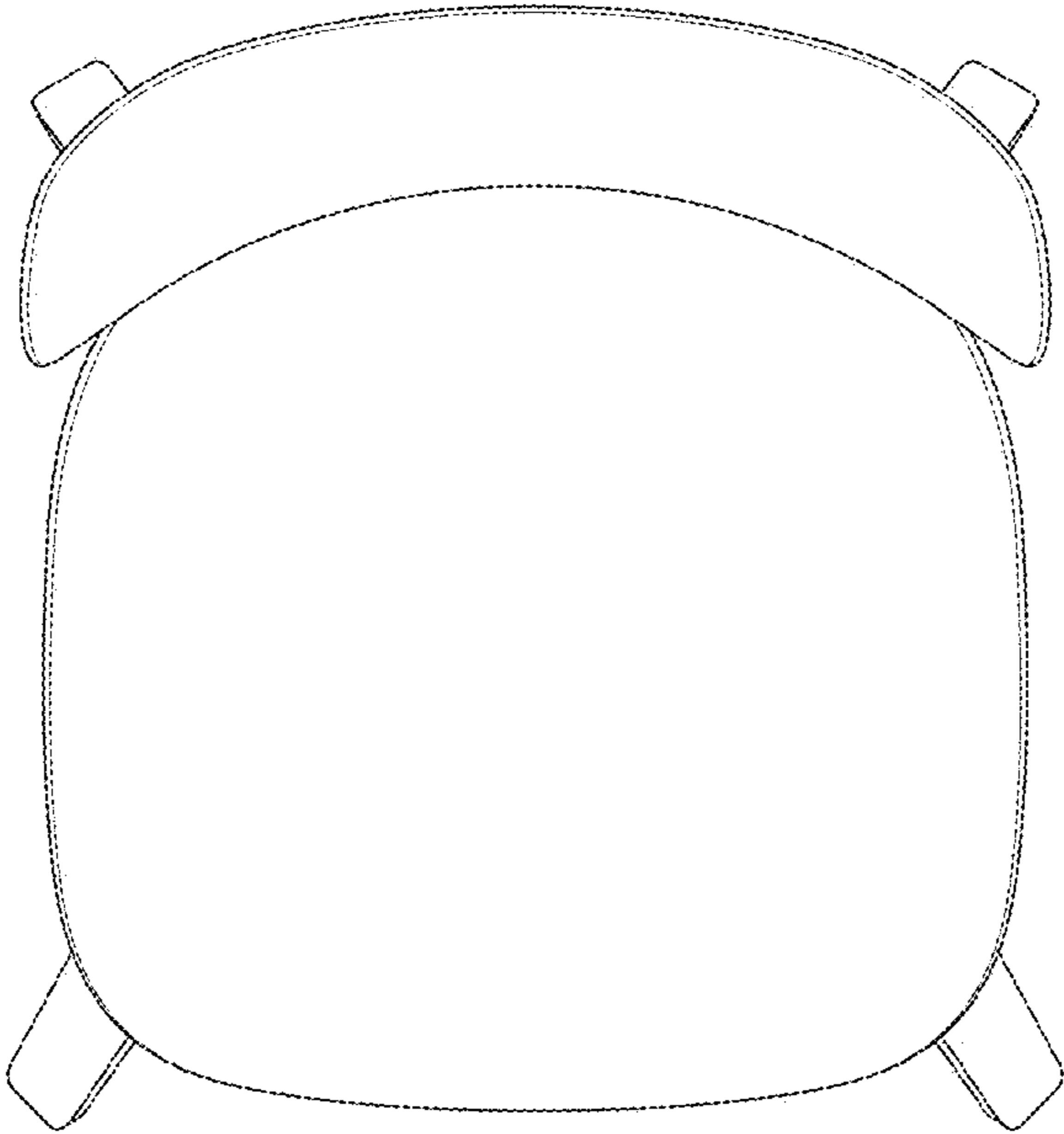


Fig. 7

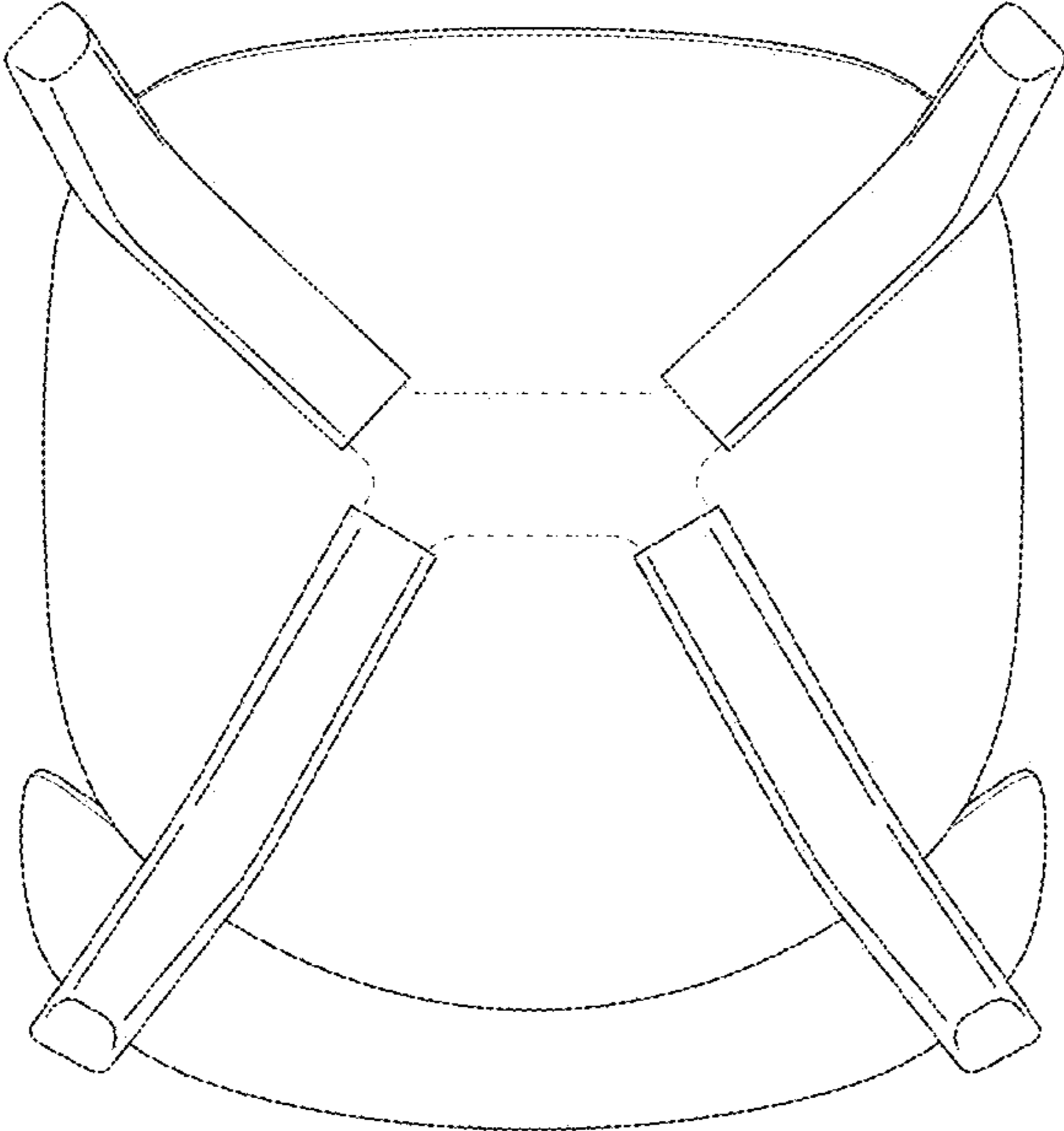


Fig. 8