



US00D878791S

(12) **United States Design Patent** (10) **Patent No.:** **US D878,791 S**
Jacoby (45) **Date of Patent:** **** Mar. 24, 2020**

(54) **UPEND CHAIR**

(71) Applicant: **Eric Jacoby Design, Inc.**, Salt Lake City, UT (US)

(72) Inventor: **Eric Robert Jacoby**, Salt Lake City, UT (US)

(73) Assignee: **Eric Jacoby Design, Inc.**, Salt Lake City, UT (US)

(**) Term: **15 Years**

(21) Appl. No.: **29/670,980**

(22) Filed: **Nov. 21, 2018**

(51) **LOC (12) Cl.** **06-01**

(52) **U.S. Cl.**
USPC **D6/371**

(58) **Field of Classification Search**
USPC D6/334, 341, 346, 349, 368, 369, 370, D6/371, 372, 373, 374, 375, 379, 381, D6/716; D21/483, 484, 489, 493, 615
(Continued)

(56) **References Cited**

U.S. PATENT DOCUMENTS

D197,512 S * 2/1964 Poisson D6/375
D240,575 S * 7/1976 Rinaldi D6/372
(Continued)

Primary Examiner — Kevin K Rudzinski

Assistant Examiner — Paul D Bohannon

(74) *Attorney, Agent, or Firm* — Lee & Hayes, P.C.

(57) **CLAIM**

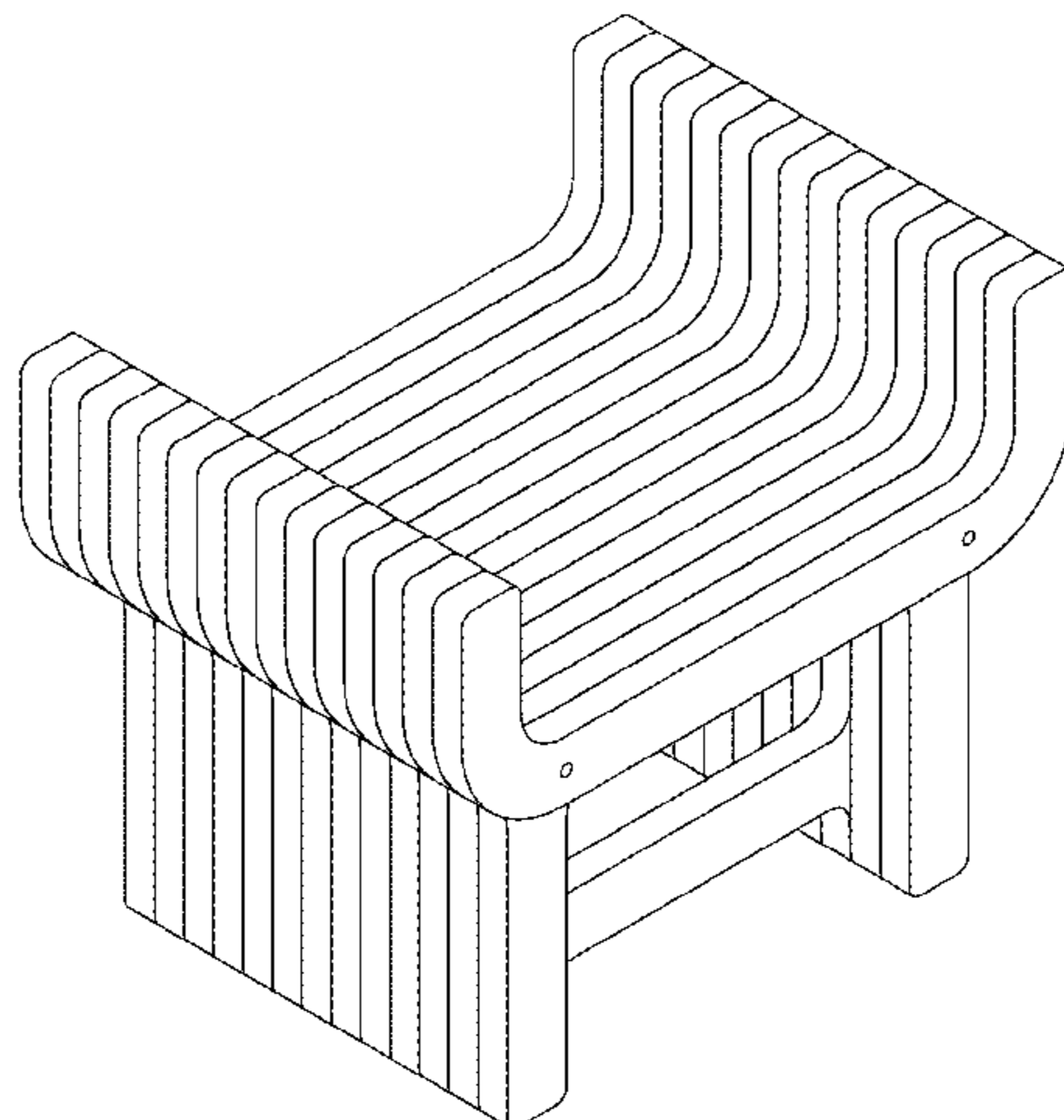
The ornamental design for an upend chair, as shown and described.

DESCRIPTION

FIG. 1 is a top, front perspective view of an upend chair showing the new design in a first orientation, according to a first embodiment;

FIG. 2 is a bottom perspective view thereof;
 FIG. 3 is a front elevational view thereof;
 FIG. 4 is a bottom plan view thereof;
 FIG. 5 is a rear elevational view thereof;
 FIG. 6 is a right side elevational view thereof;
 FIG. 7 is a left side elevational view thereof;
 FIG. 8 is a top plan view thereof;
 FIG. 9 is a top, front perspective view thereof shown in a second orientation;
 FIG. 10 is a top, rear perspective view thereof;
 FIG. 11 is a bottom, front perspective view thereof;
 FIG. 12 is a bottom, rear perspective view thereof;
 FIG. 13 is a front elevational view thereof;
 FIG. 14 is a bottom plan view thereof;
 FIG. 15 is a rear elevational view thereof;
 FIG. 16 is a right side elevational view thereof;
 FIG. 17 is a left side elevational view thereof;
 FIG. 18 is a top plan view thereof;
 FIG. 19 is a top, front perspective view of an upend chair showing the new design in a first orientation, according to a second embodiment;
 FIG. 20 is a bottom, front perspective view thereof;
 FIG. 21 is a front elevational view thereof;
 FIG. 22 is a bottom plan view thereof;
 FIG. 23 is a rear elevational view thereof;
 FIG. 24 is a right side elevational view thereof;
 FIG. 25 is a left side elevational view thereof;
 FIG. 26 is a top plan view thereof;
 FIG. 27 is a top, front perspective view of the second embodiment shown in FIGS. 19-26, shown being in a second orientation;
 FIG. 28 is a top, rear perspective view thereof;
 FIG. 29 is a bottom, front perspective view thereof;
 FIG. 30 is a bottom, rear perspective view thereof;
 FIG. 31 is a front elevational view thereof;
 FIG. 32 is a bottom plan view thereof;
 FIG. 33 is a rear elevational view thereof;
 FIG. 34 is a right side elevational view thereof;
 FIG. 35 is a left side elevational view thereof; and,
 FIG. 36 is a top plan view thereof.
 The broken lines shown in FIGS. 19-21, 23, 27-29, 31, and 33 are for the purpose of illustrating portions of the upend chair and form no part of the claimed design.

1 Claim, 36 Drawing Sheets



(58) **Field of Classification Search**

CPC ... A47B 2220/0055; A47C 4/022; A47C 4/02;
 A47C 4/03; A47C 5/02; A47C 5/125;
 A47C 7/024; A47C 7/02; A47C 7/16;
 A47C 7/405; A47C 13/005; A47G 7/042;
 A47G 7/041; A47G 7/42; Y10S 297/01

See application file for complete search history.

(56) **References Cited**

U.S. PATENT DOCUMENTS

D240,873 S * 8/1976 Lewis D6/368
 D242,193 S * 11/1976 Joiner D6/370
 4,235,473 A * 11/1980 Aginar A47C 4/022
 297/440.19
 D262,755 S * 1/1982 Kinnebrew, IV D6/349
 D263,523 S * 3/1982 Kinnebrew, IV D6/349
 4,702,521 A * 10/1987 Bae A47C 4/02
 297/188.12
 D374,992 S * 10/1996 Burdick D6/334
 D379,564 S * 6/1997 Burdick D6/341
 6,017,107 A * 1/2000 Elliott A47B 47/04
 108/181

D438,024 S * 2/2001 Catalano D6/349
 D443,769 S * 6/2001 Tiffany, III D6/370
 D498,068 S * 11/2004 Kuo D6/368
 6,997,514 B2 * 2/2006 Tarantino A47C 5/125
 297/440.14
 D516,330 S * 3/2006 Ruiter A47C 7/024
 D6/370
 D520,257 S * 5/2006 Ng D6/375
 D581,174 S * 11/2008 Beckerman D6/346
 D651,427 S * 1/2012 Cox D6/375
 8,256,845 B2 * 9/2012 Wang A47C 5/02
 297/446.1
 D672,579 S * 12/2012 Vass D6/375
 D683,145 S * 5/2013 Patel D6/349
 D721,898 S * 2/2015 Palumbo D6/370
 D750,913 S * 3/2016 Leathead D6/368
 D818,283 S * 5/2018 Jacoby D6/375
 D818,284 S * 5/2018 Jacoby D6/375
 D818,285 S * 5/2018 Jacoby D6/375
 D819,352 S * 6/2018 Li D6/369
 D819,353 S * 6/2018 Li D6/369
 D849,428 S * 5/2019 Wang D6/336
 D863,456 S * 10/2019 Holman D21/484

* cited by examiner

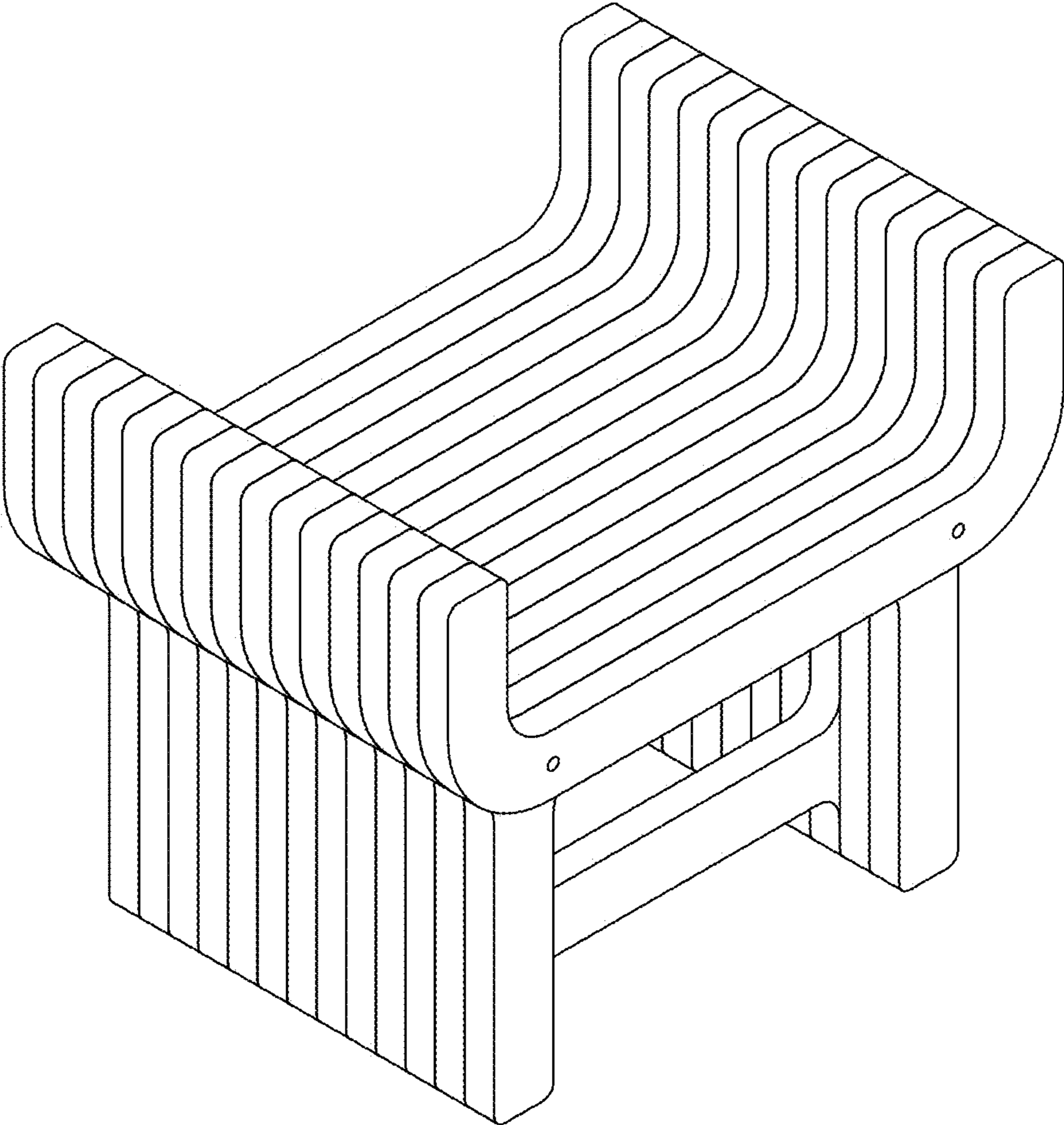


Fig. 1

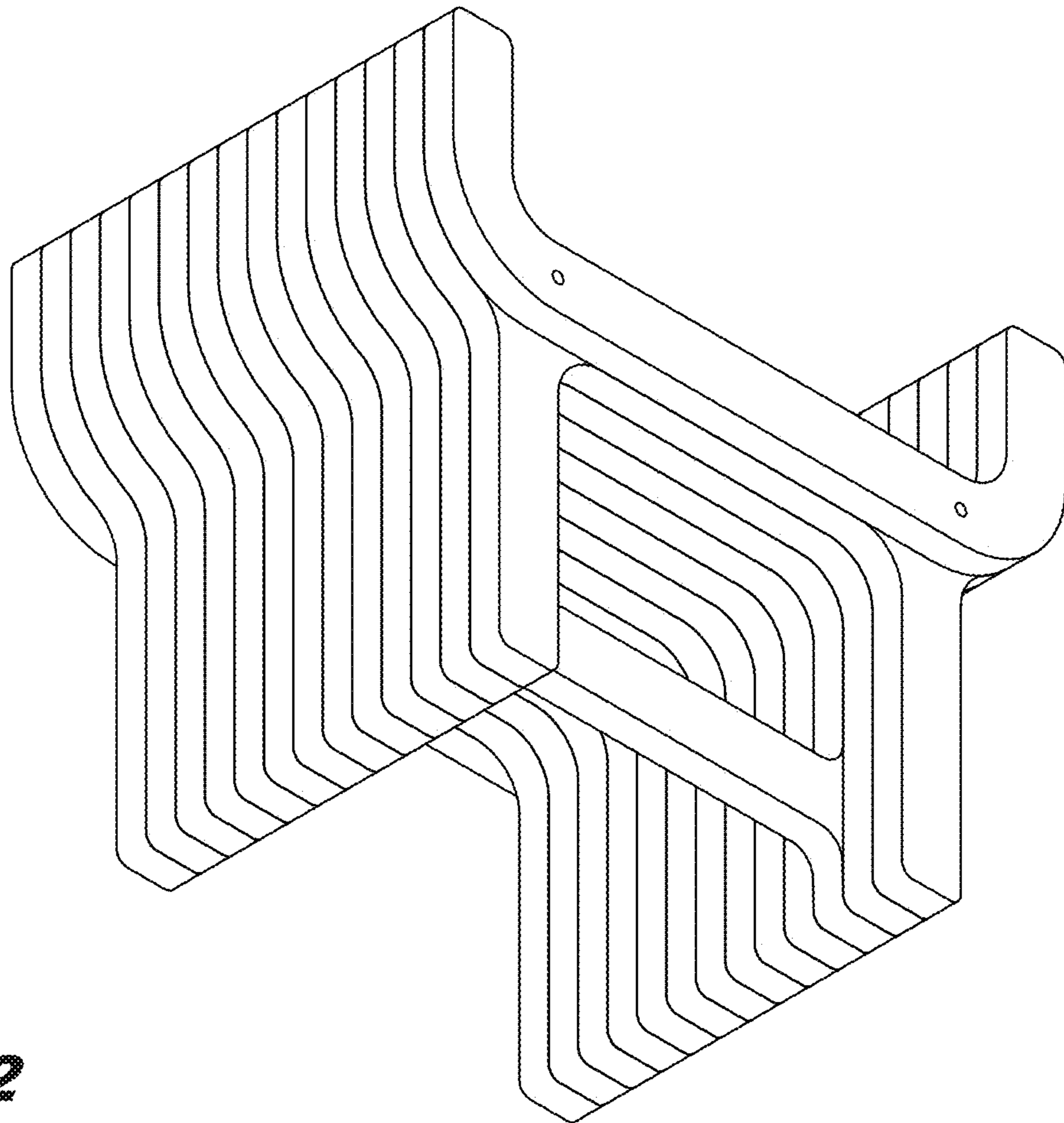


Fig. 2

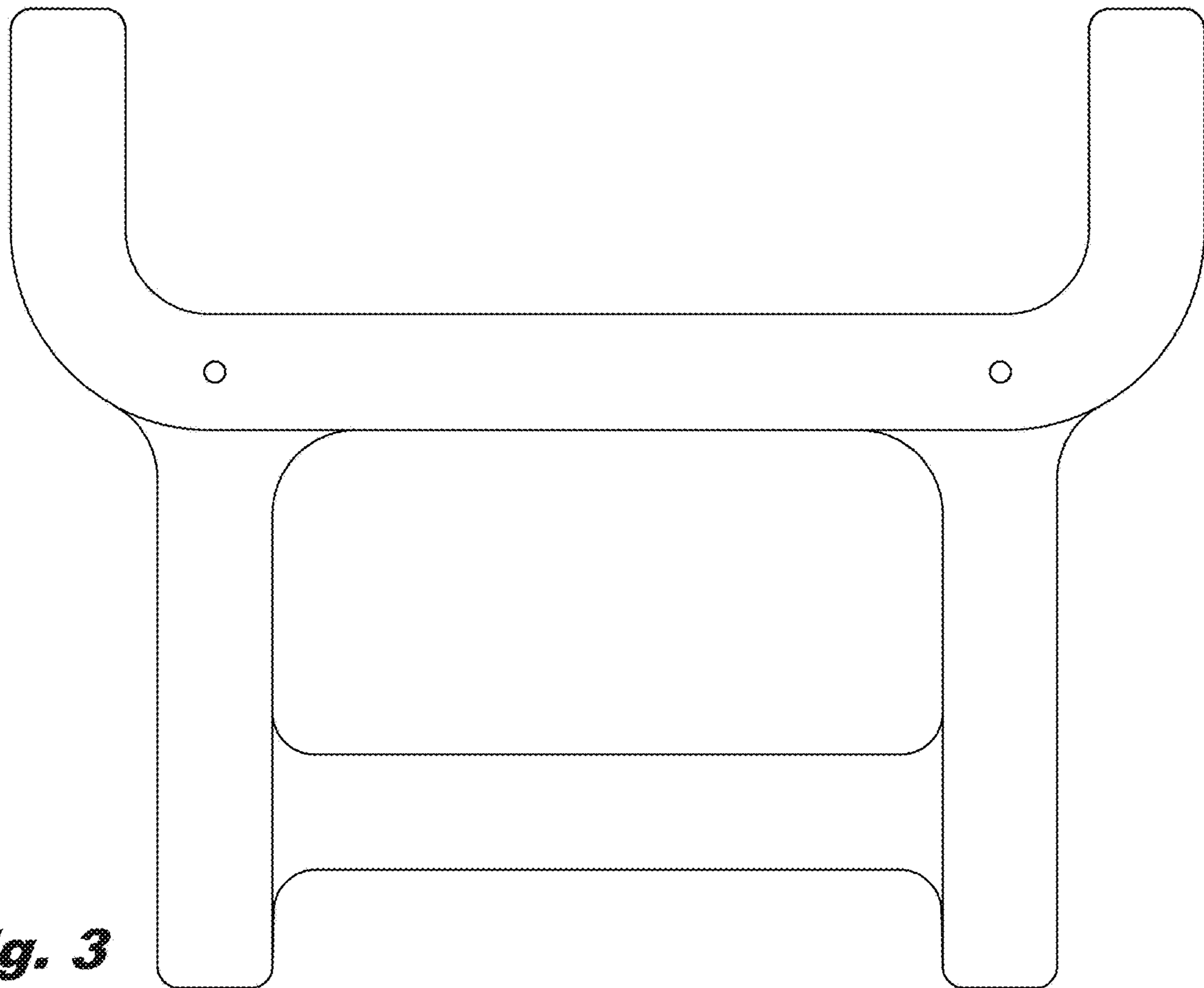


Fig. 3

Fig. 4

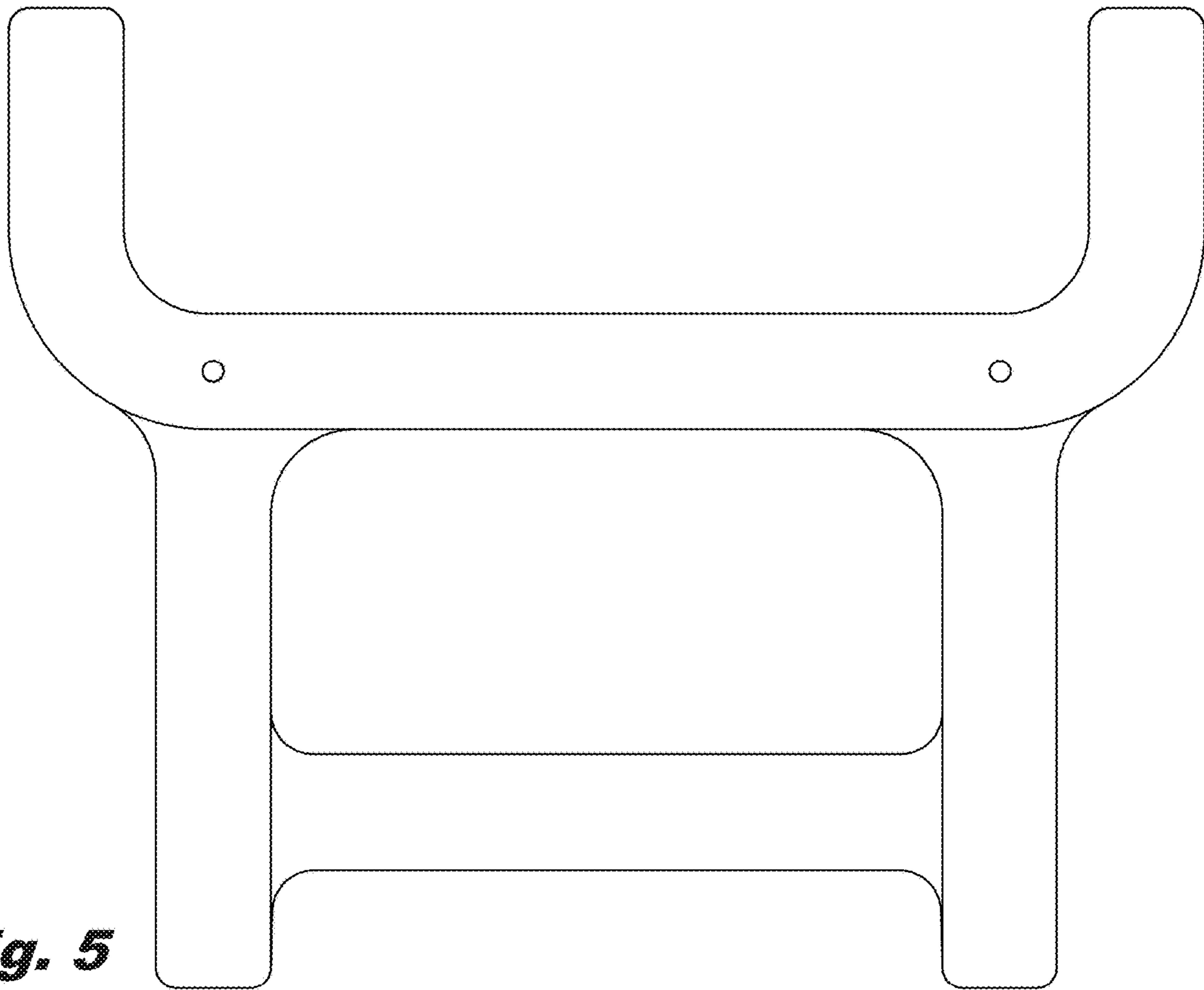


Fig. 5

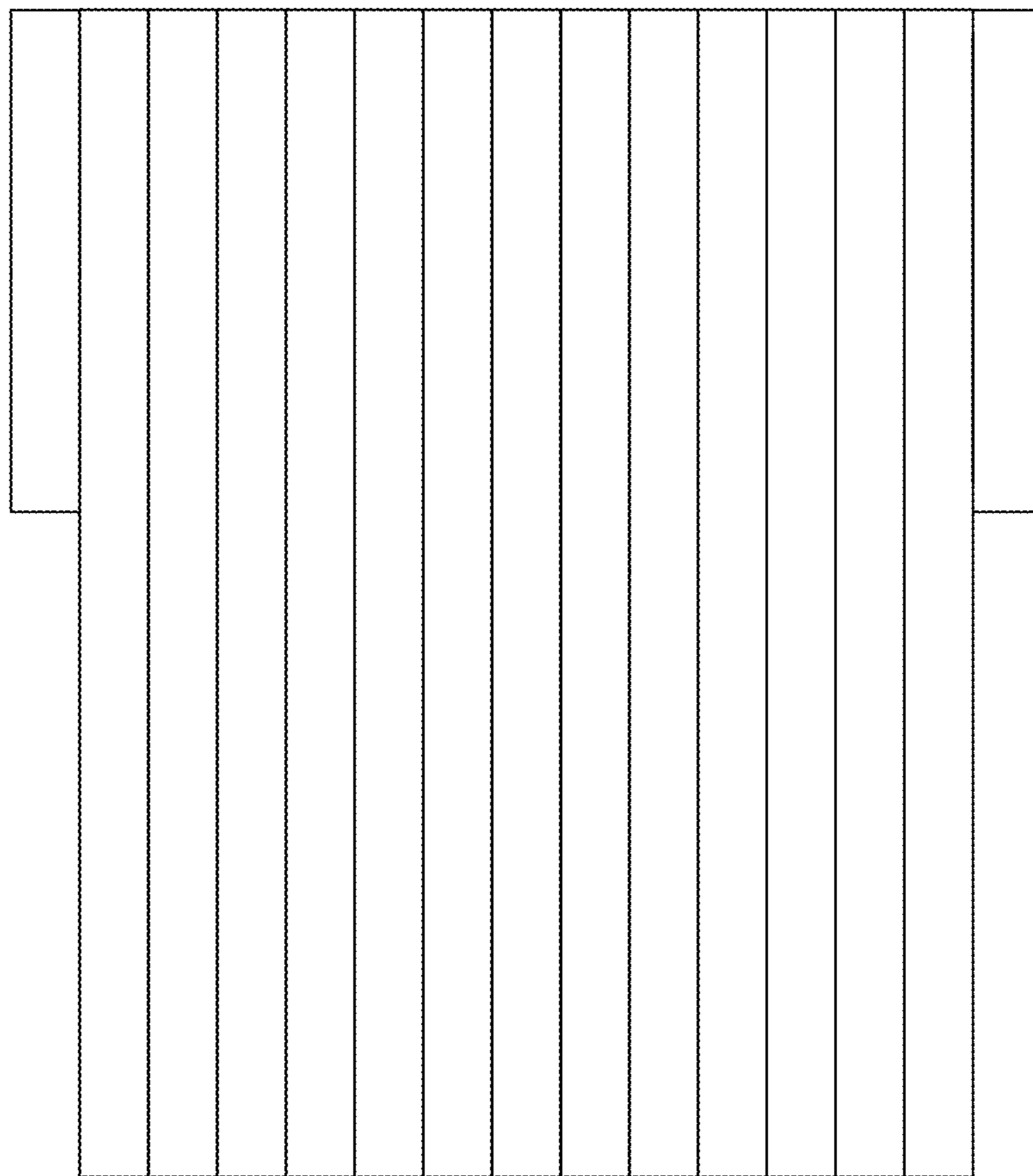


Fig. 6

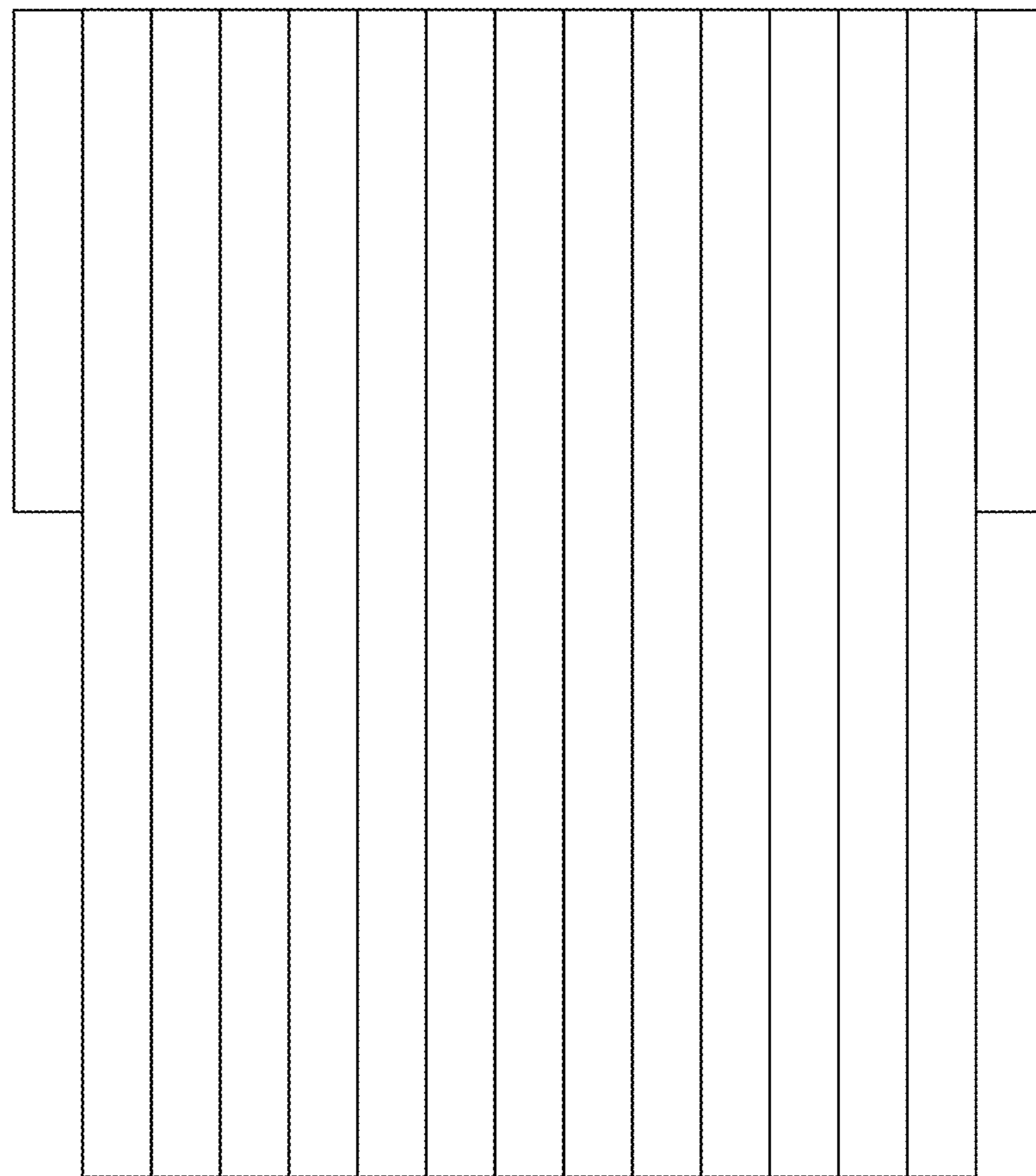


Fig. 7

Fig. 8

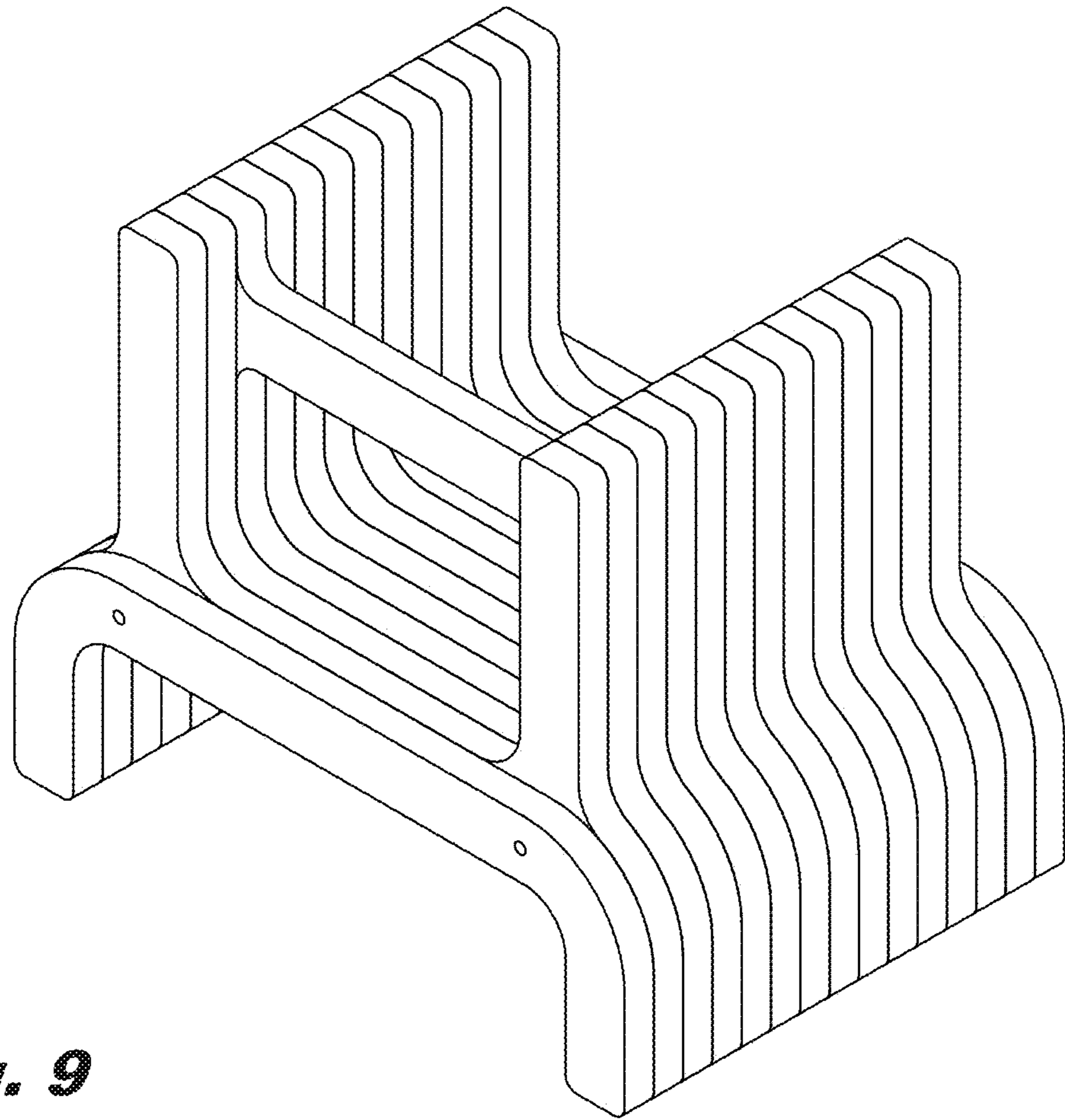


Fig. 9

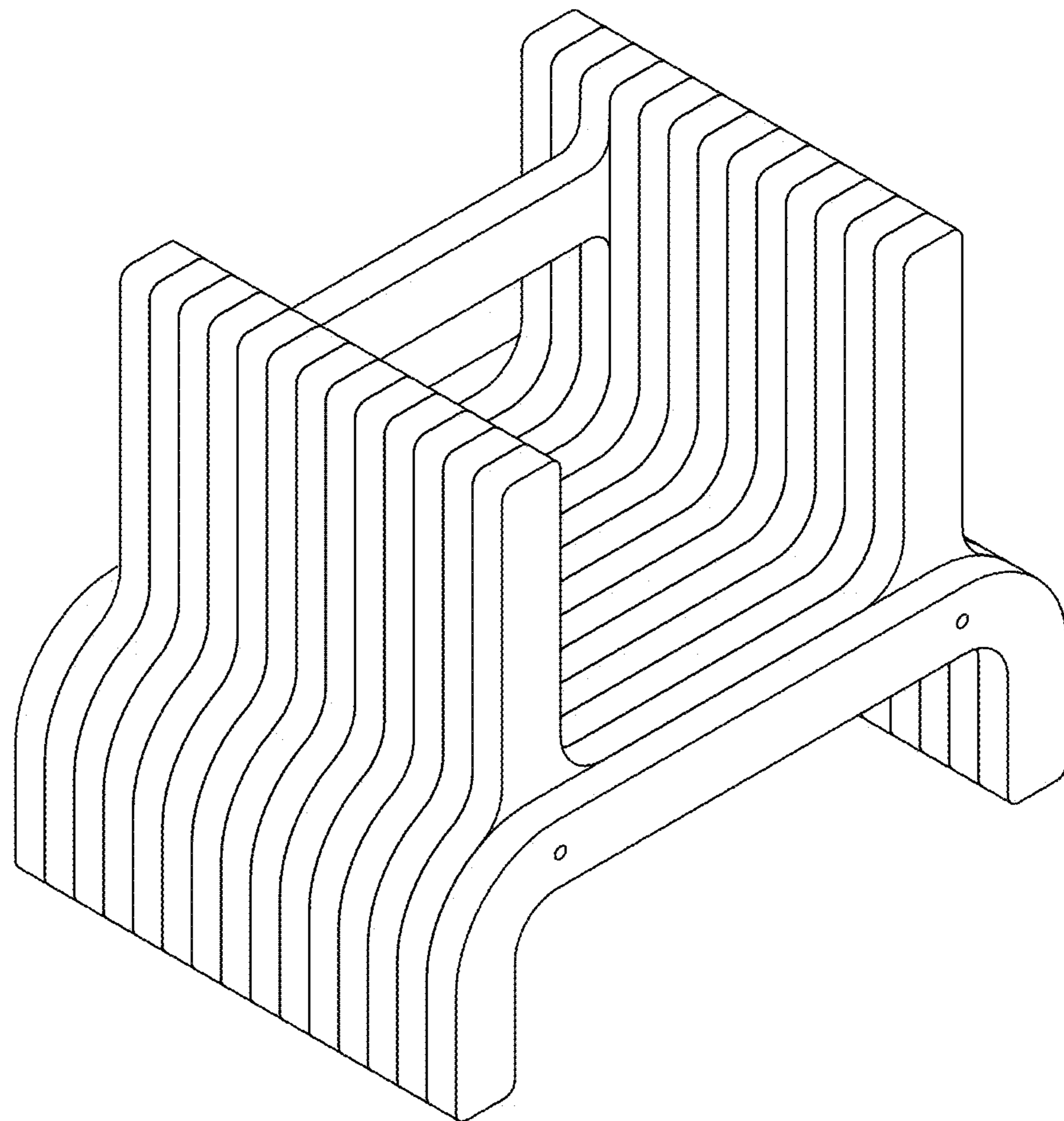


Fig. 10

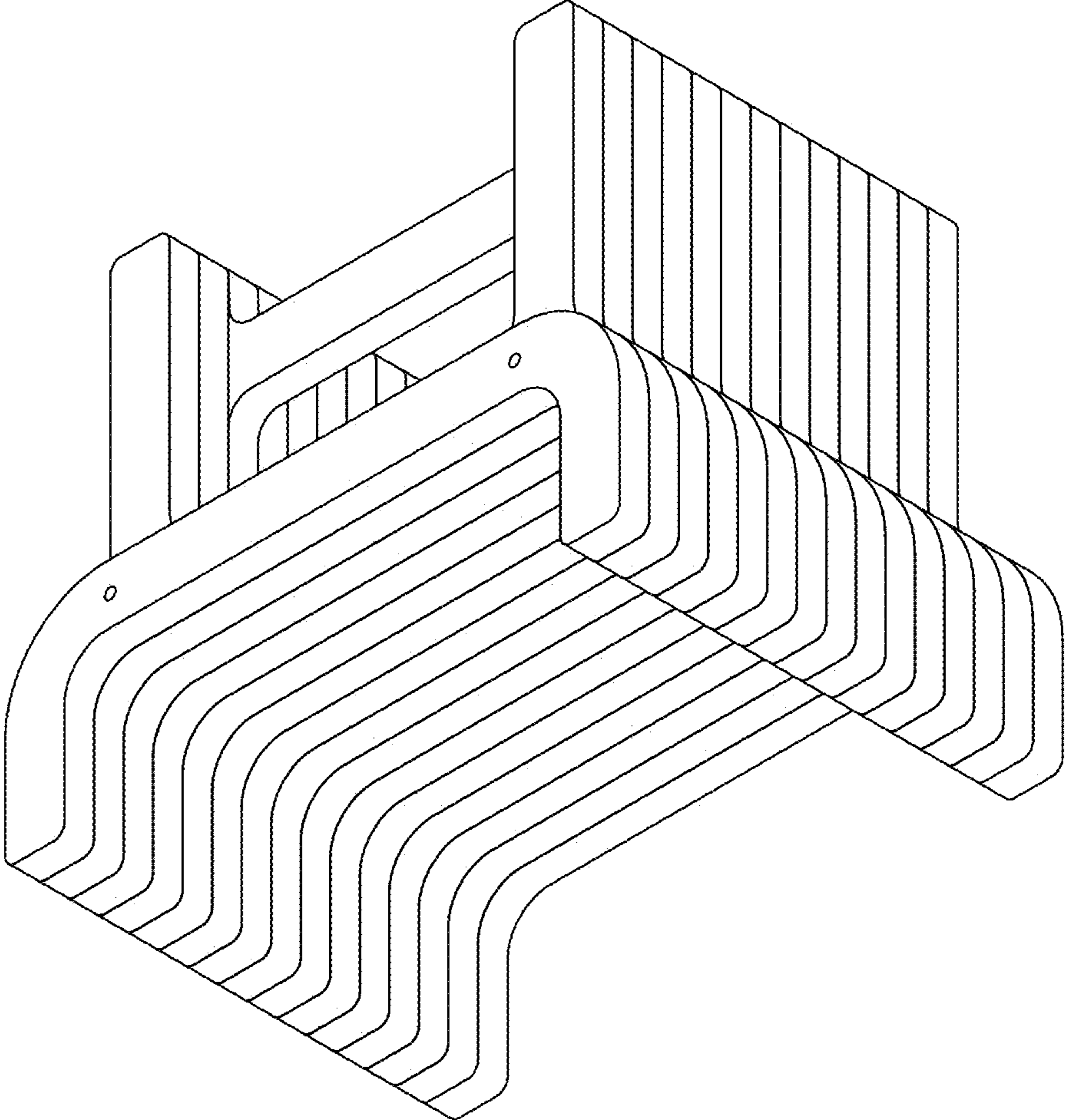


Fig. 11

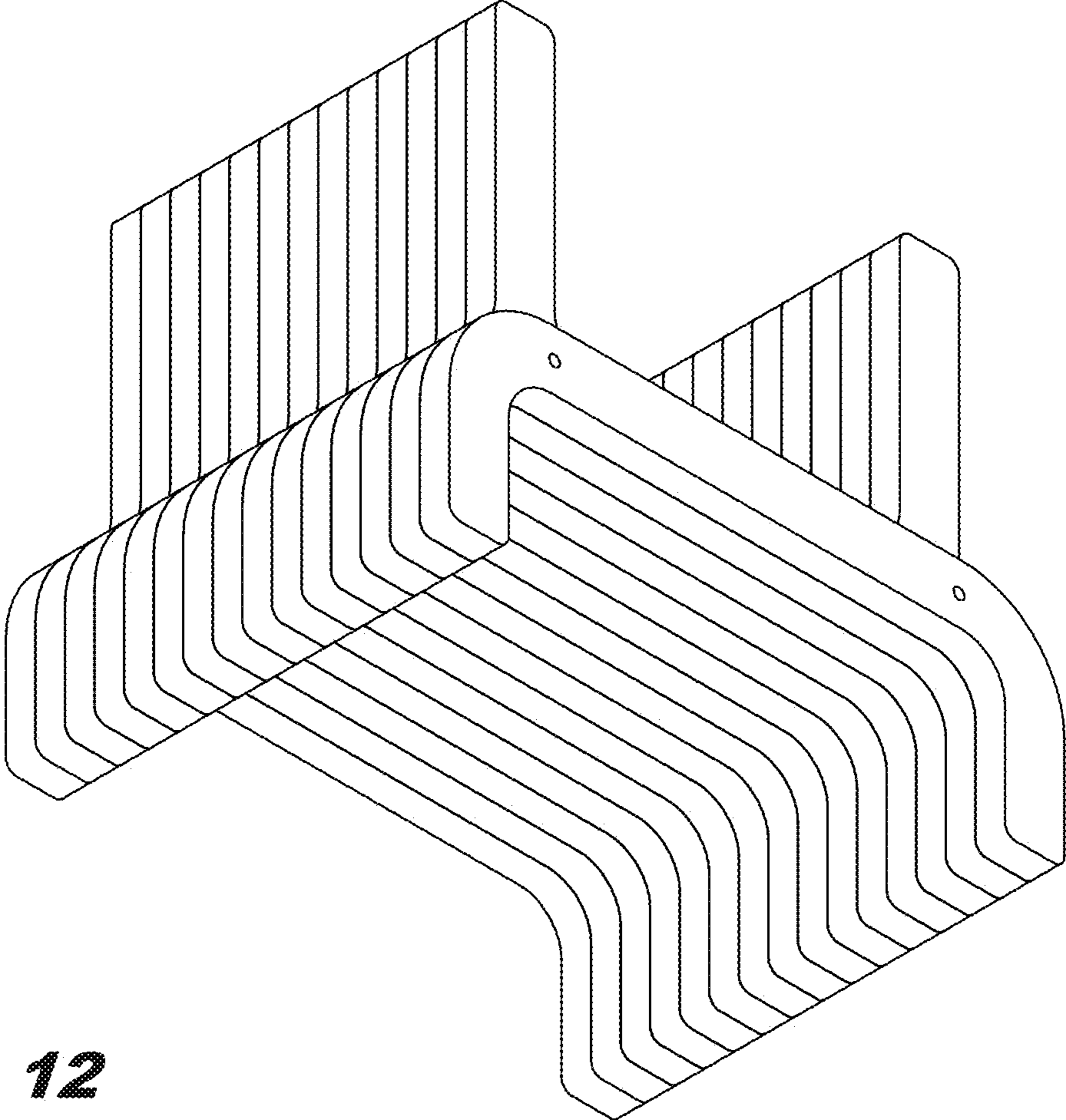


Fig. 12

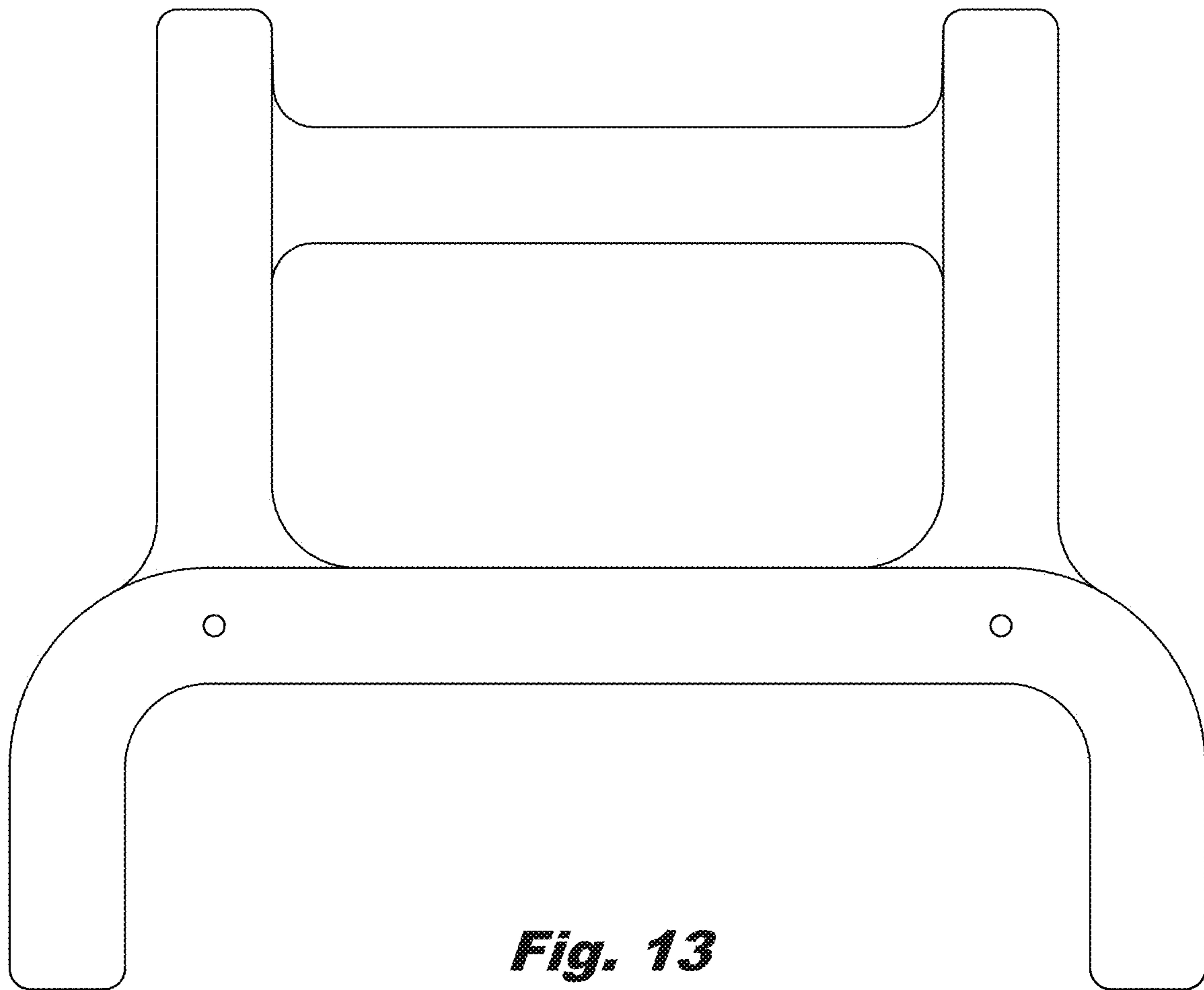


Fig. 14

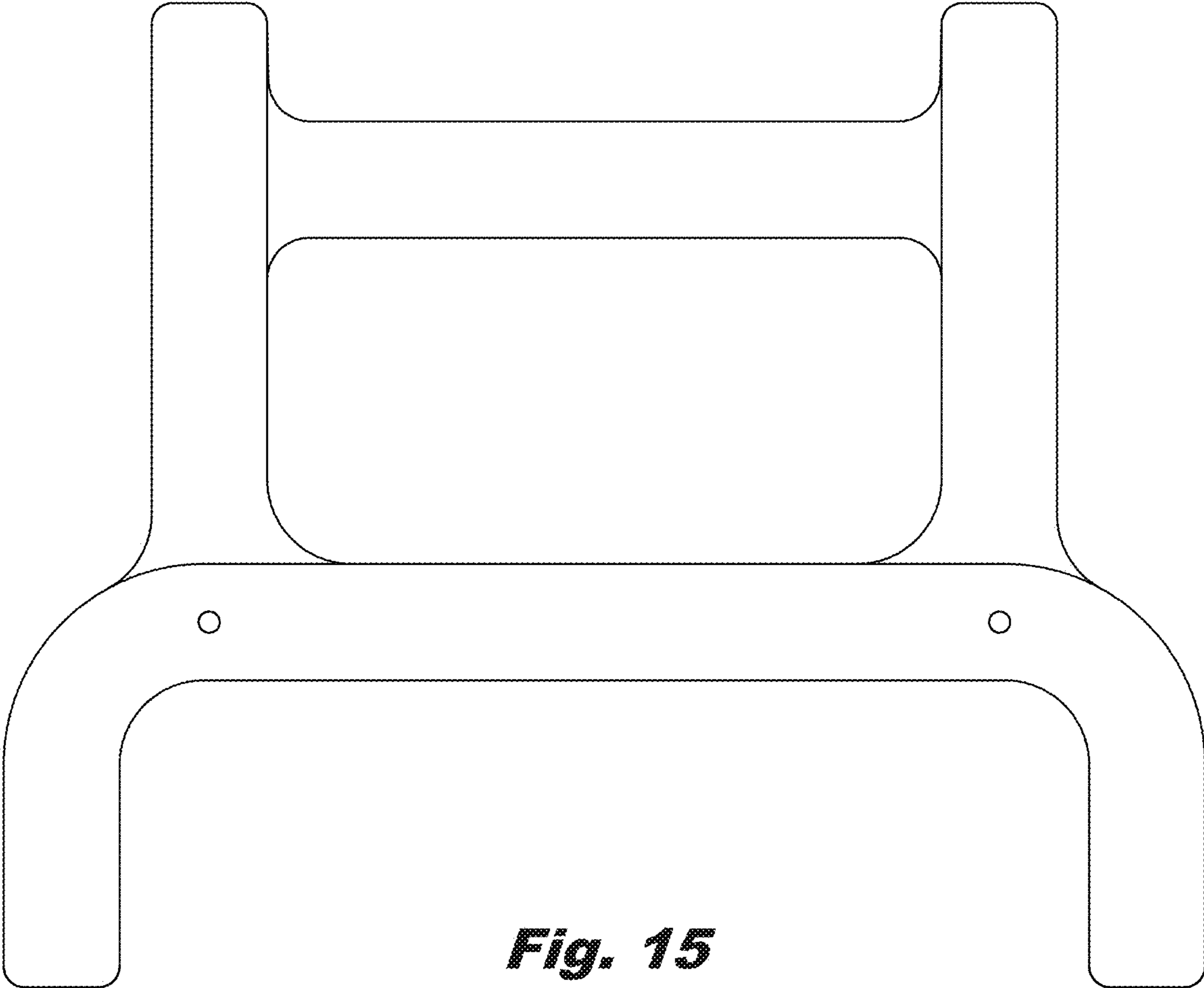


Fig. 15

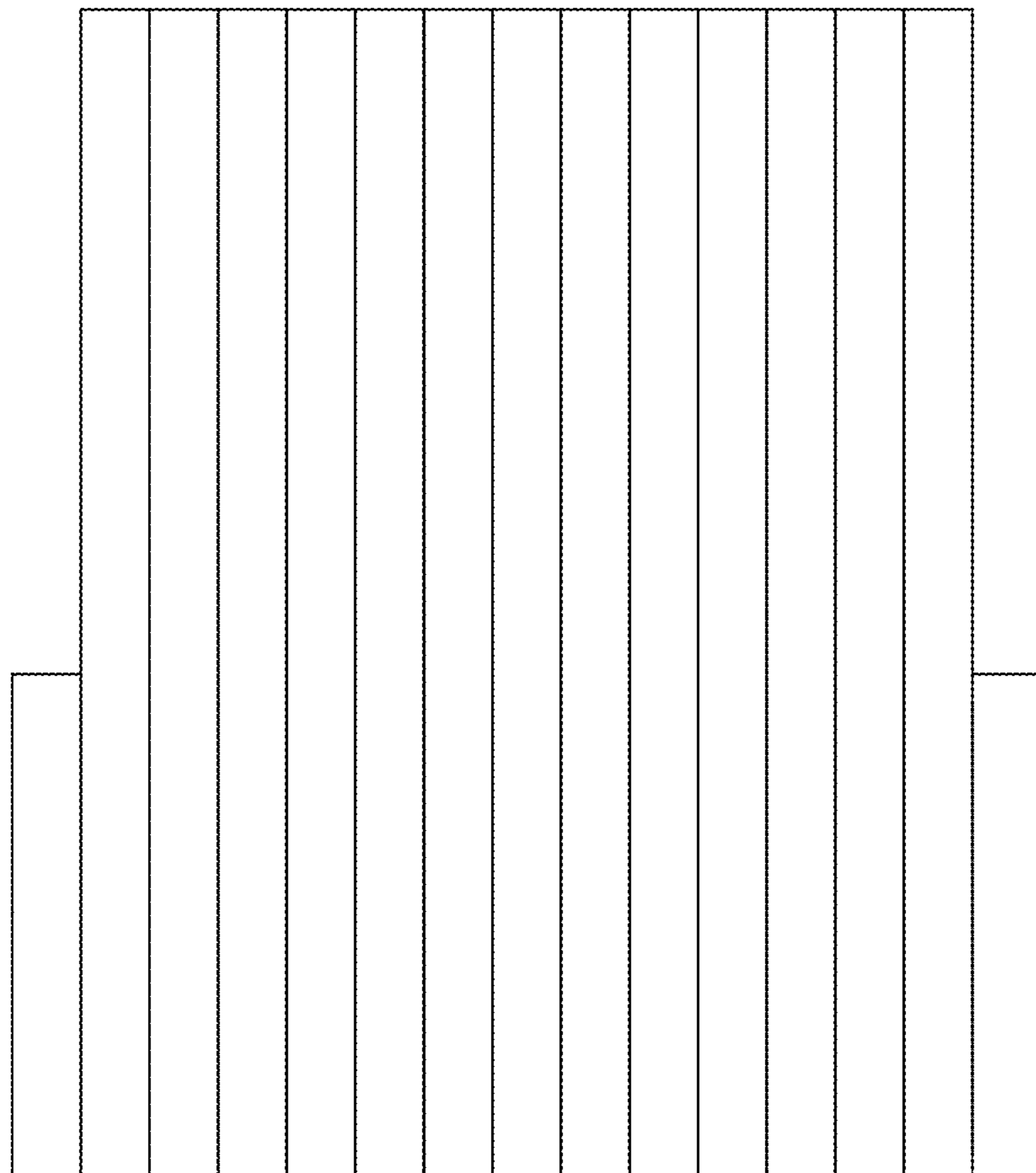


Fig. 16

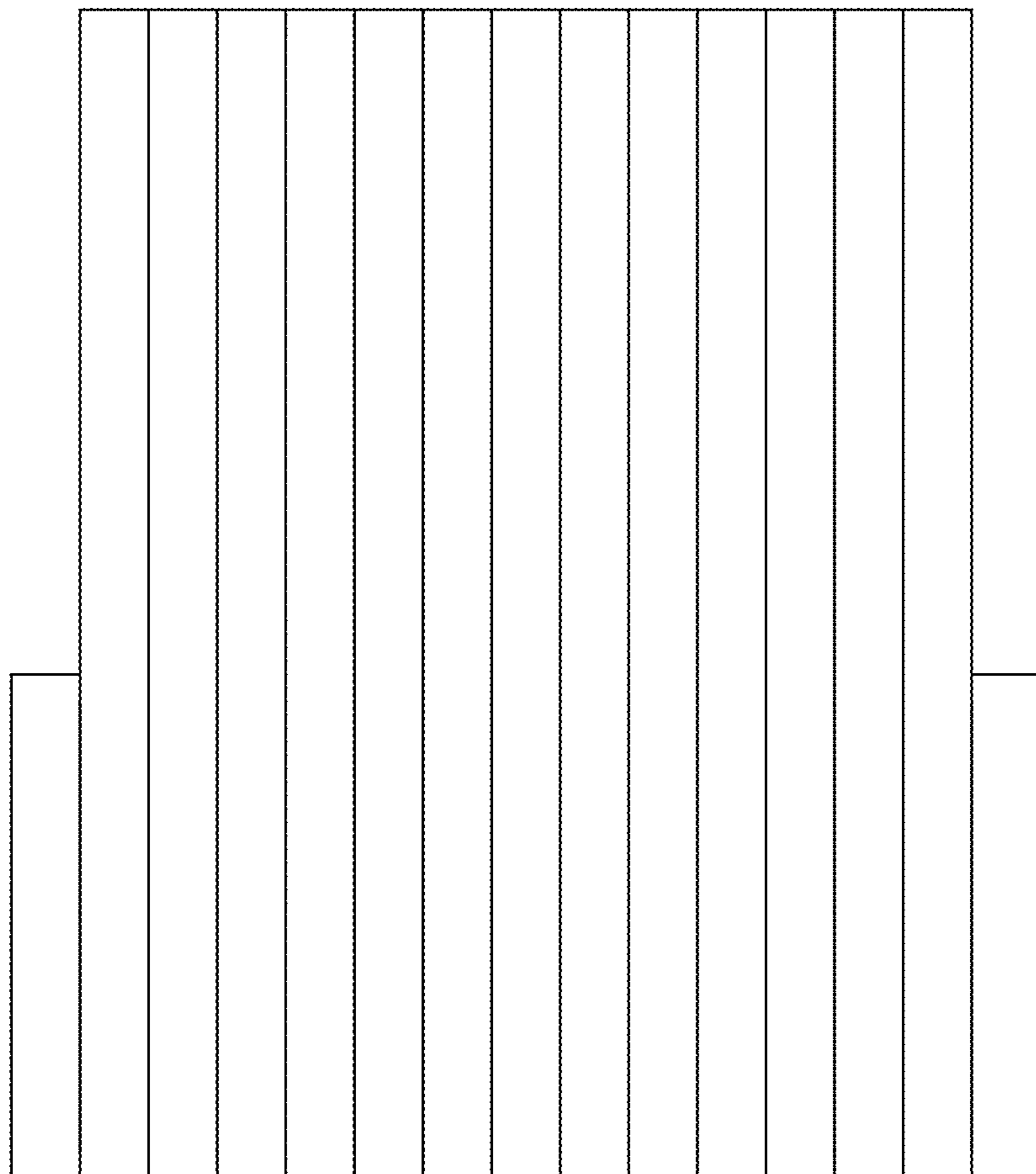


Fig. 17

Fig. 18

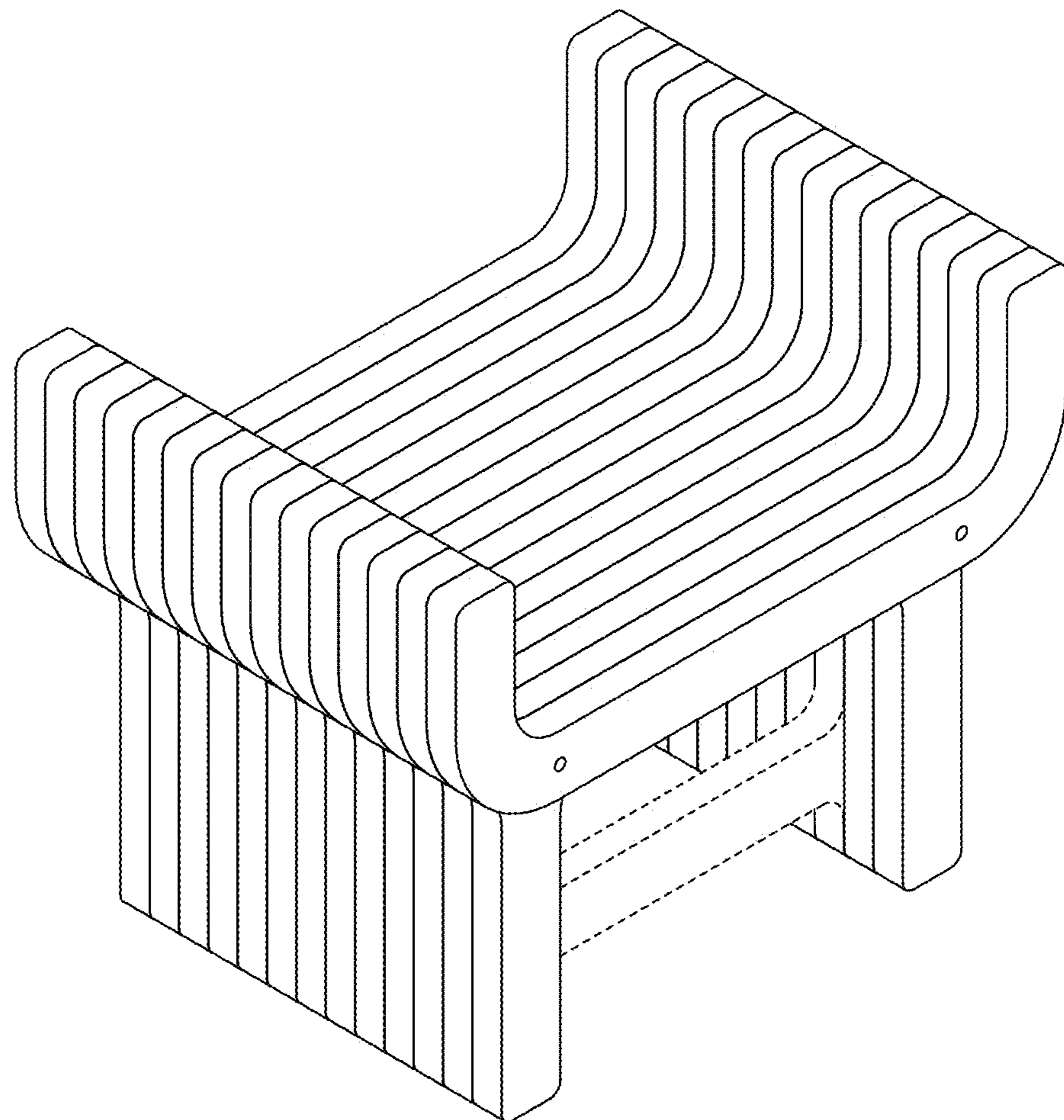


Fig. 19

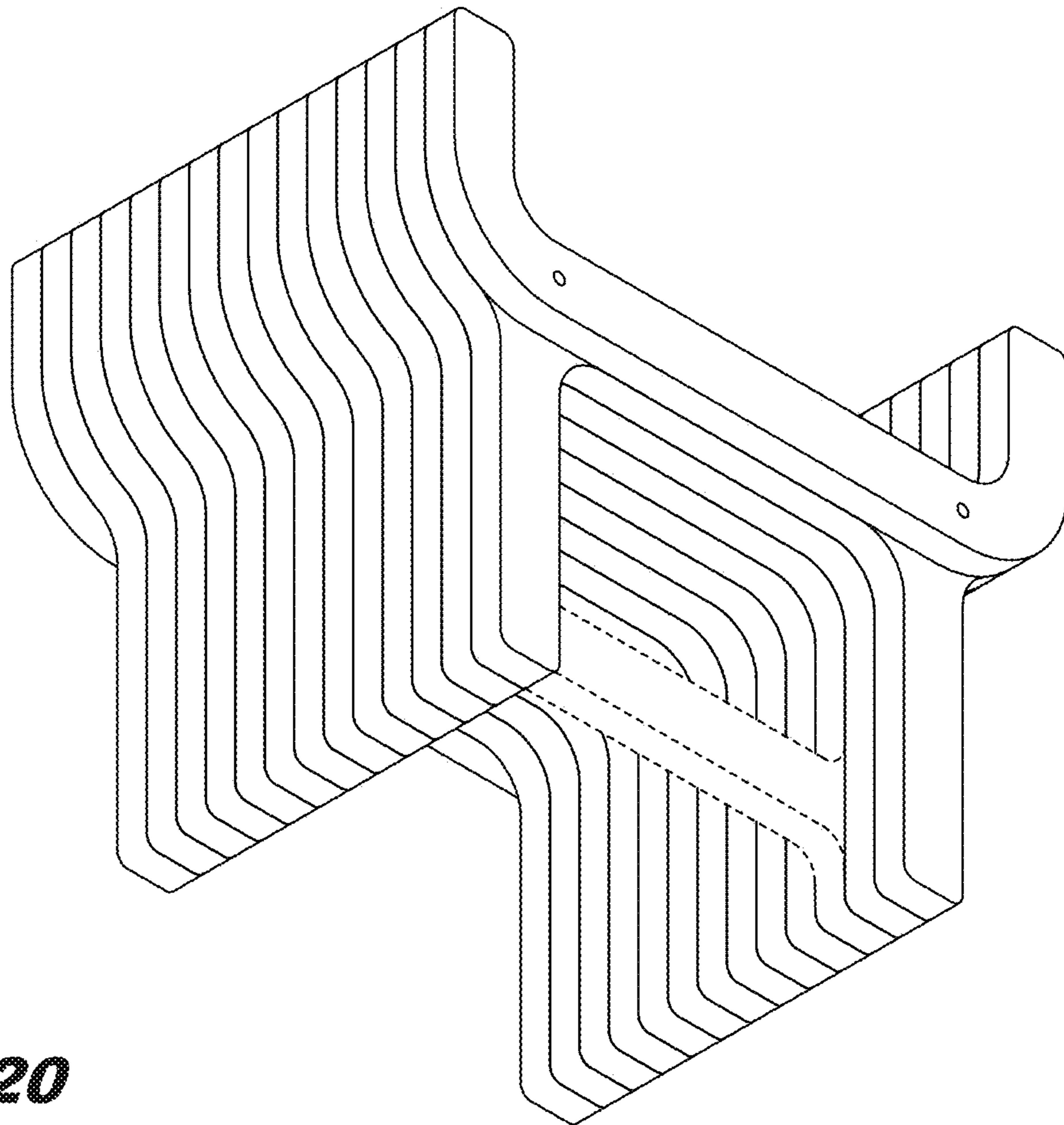


Fig. 20

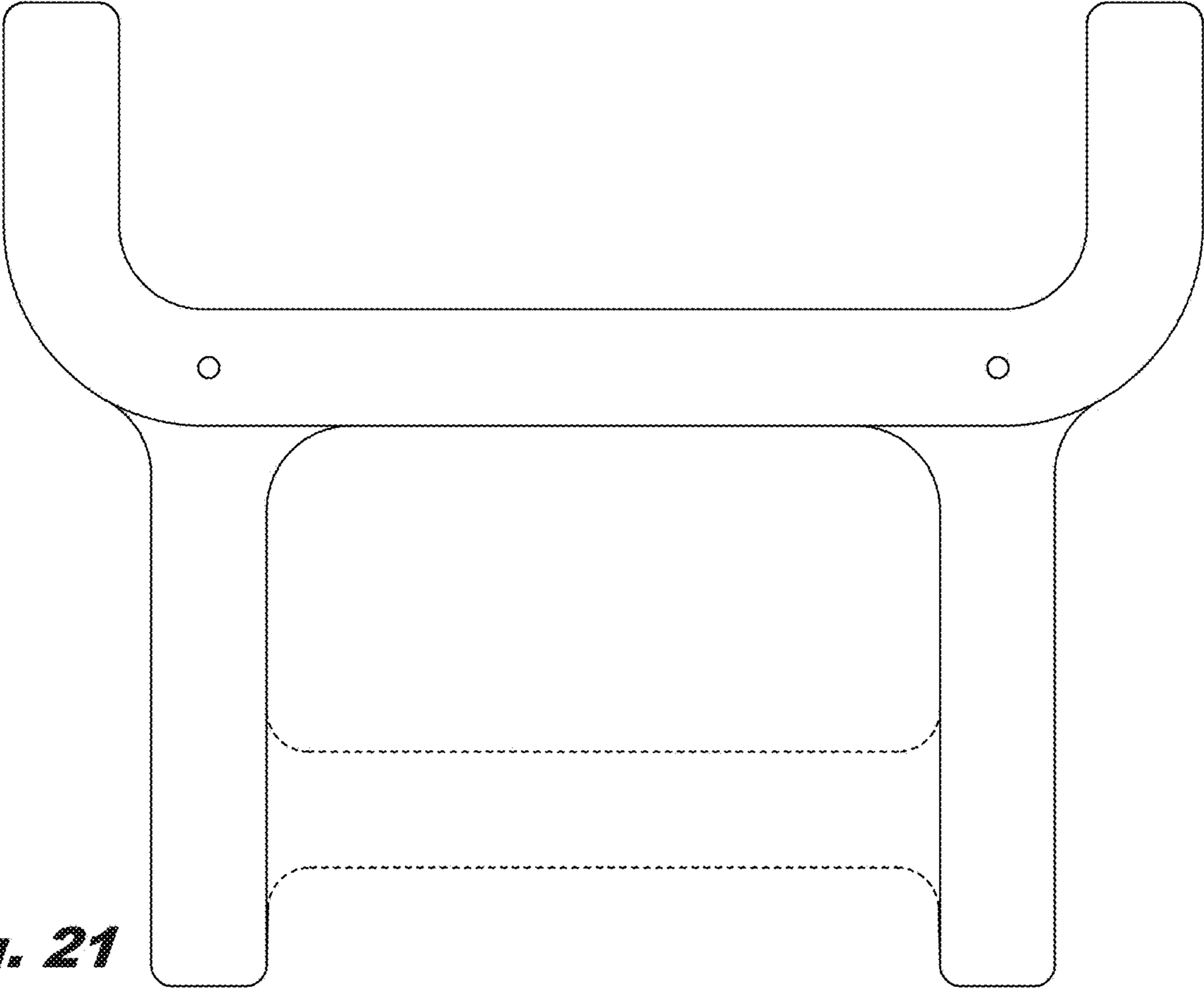


Fig. 21

Fig. 22

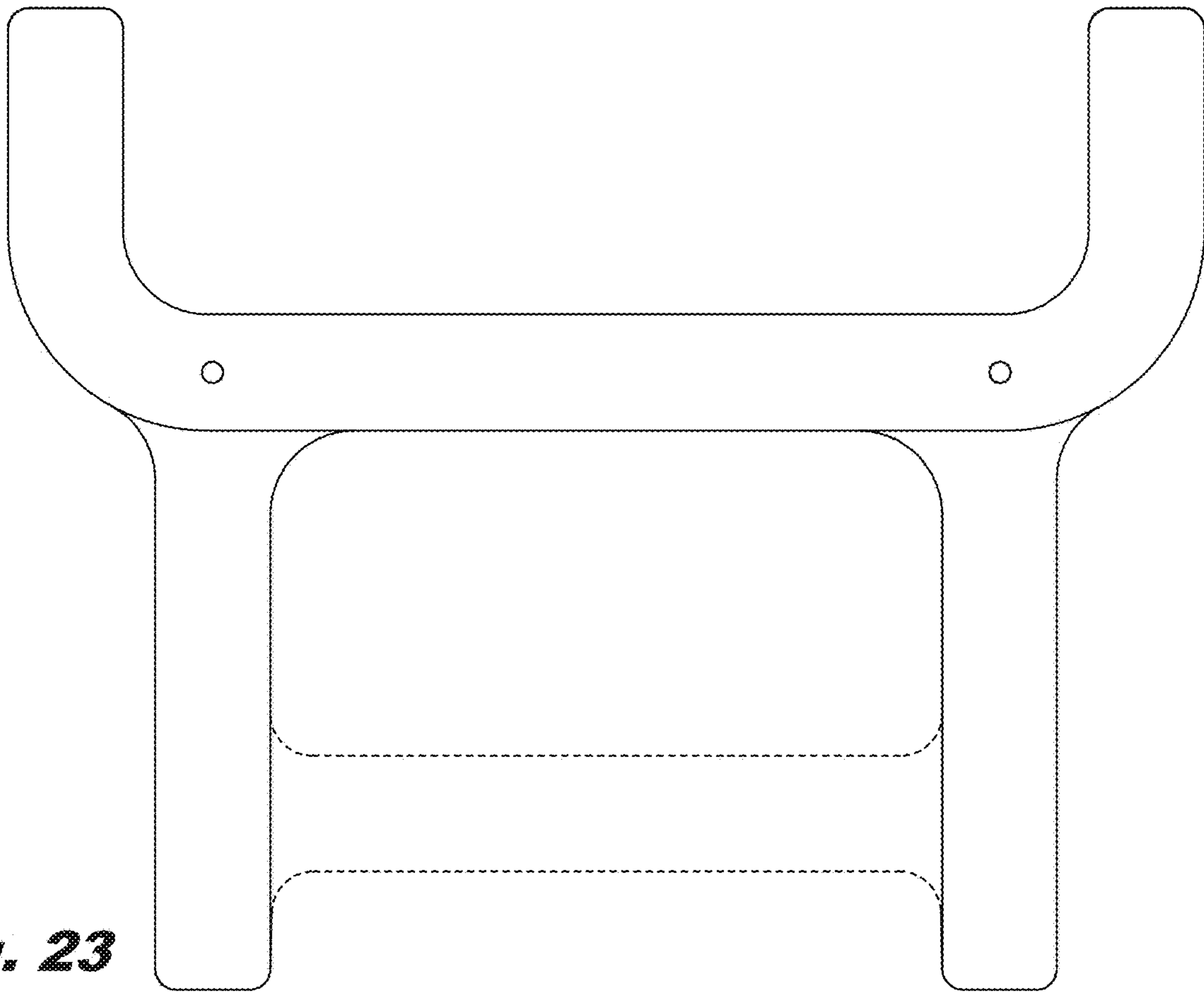


Fig. 23

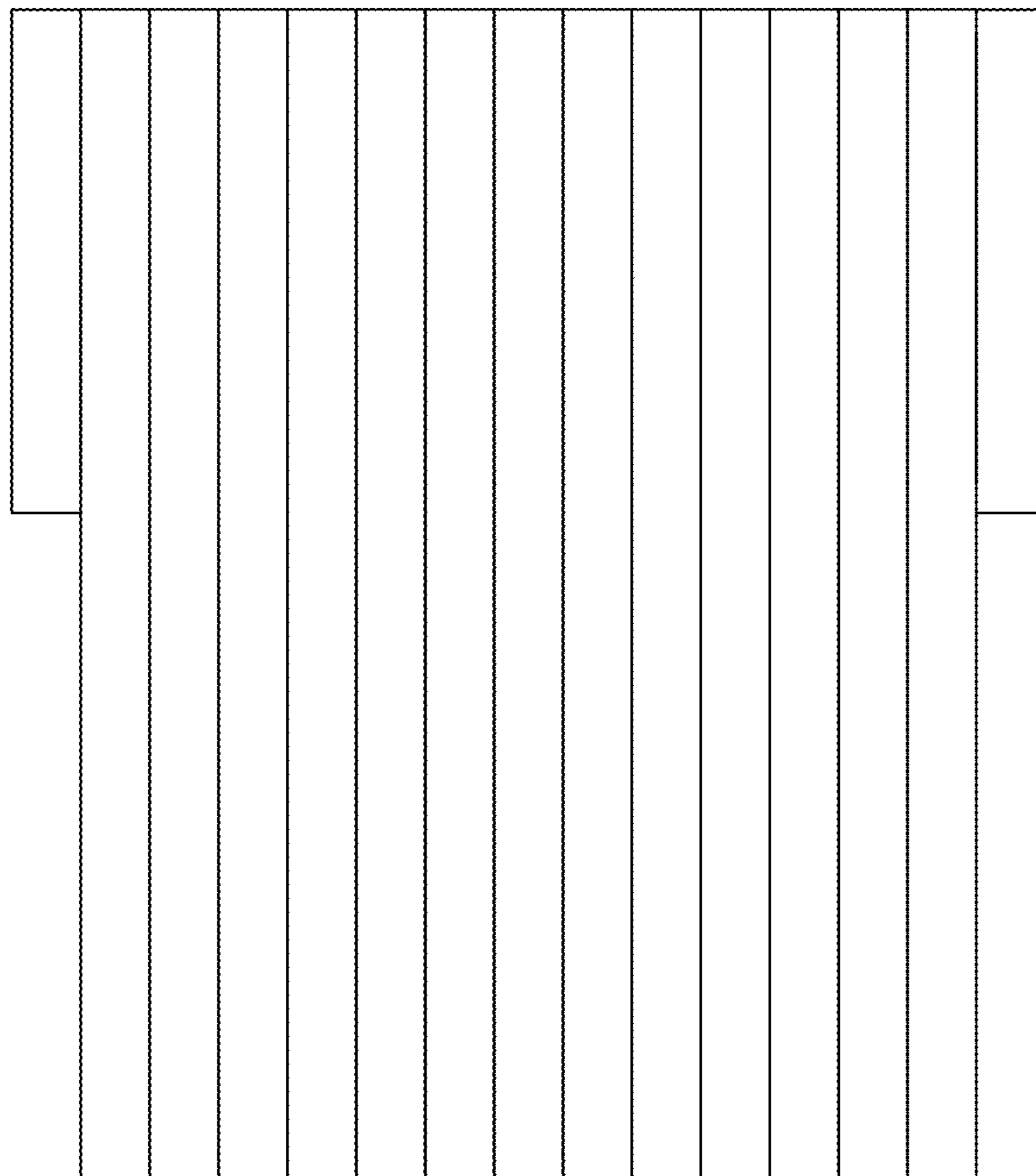


Fig. 24

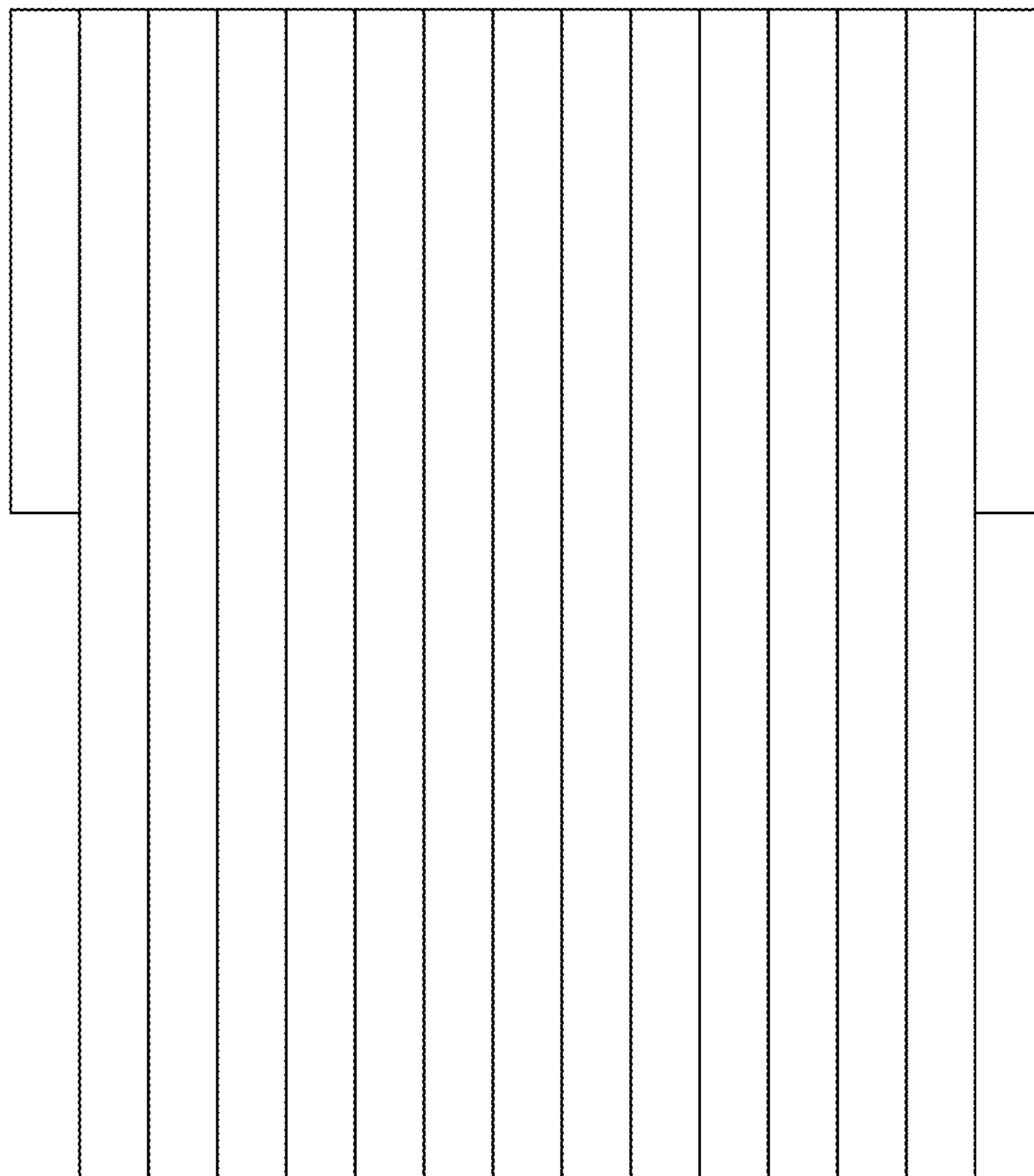


Fig. 25

Fig. 26

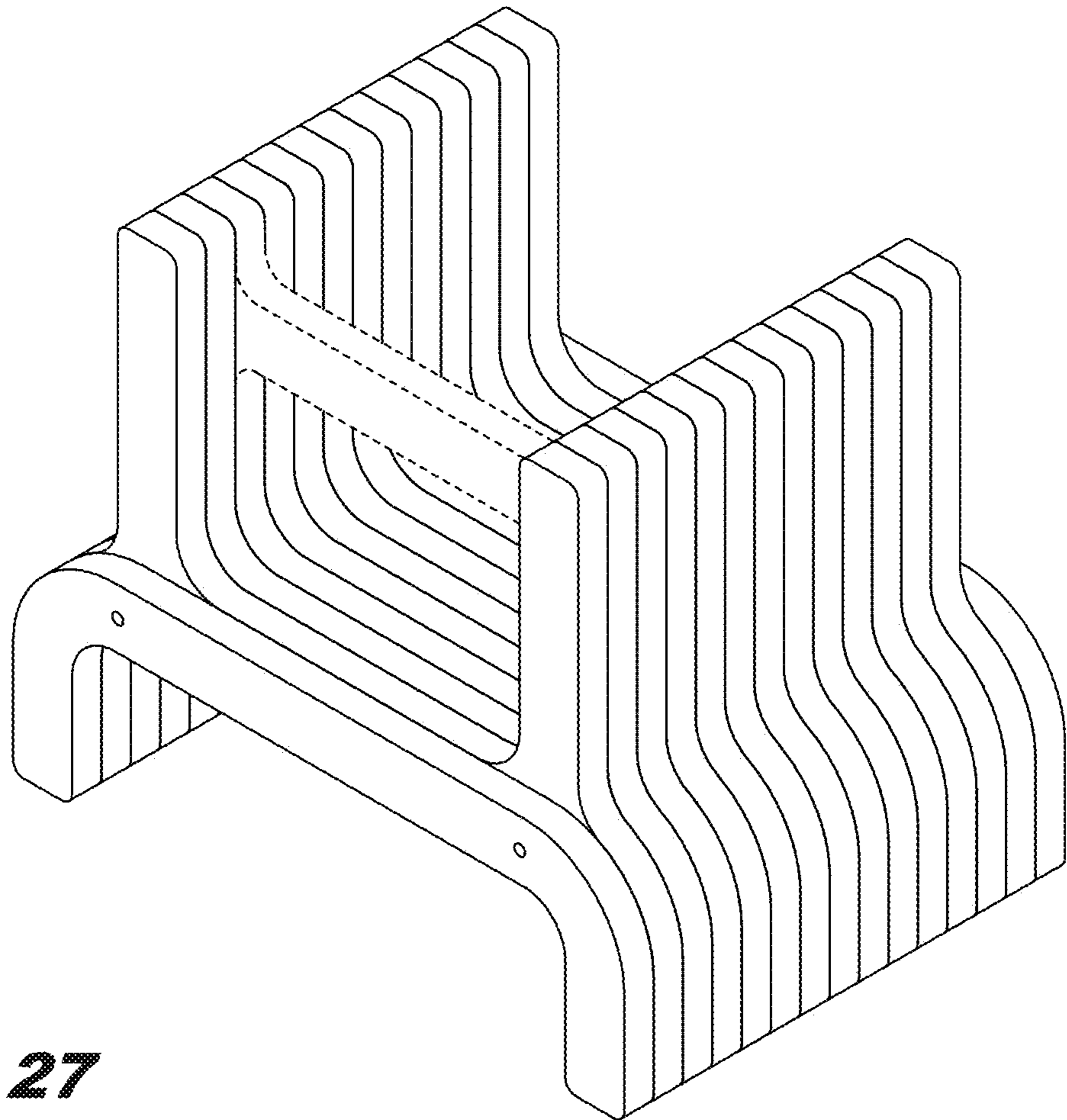


Fig. 27

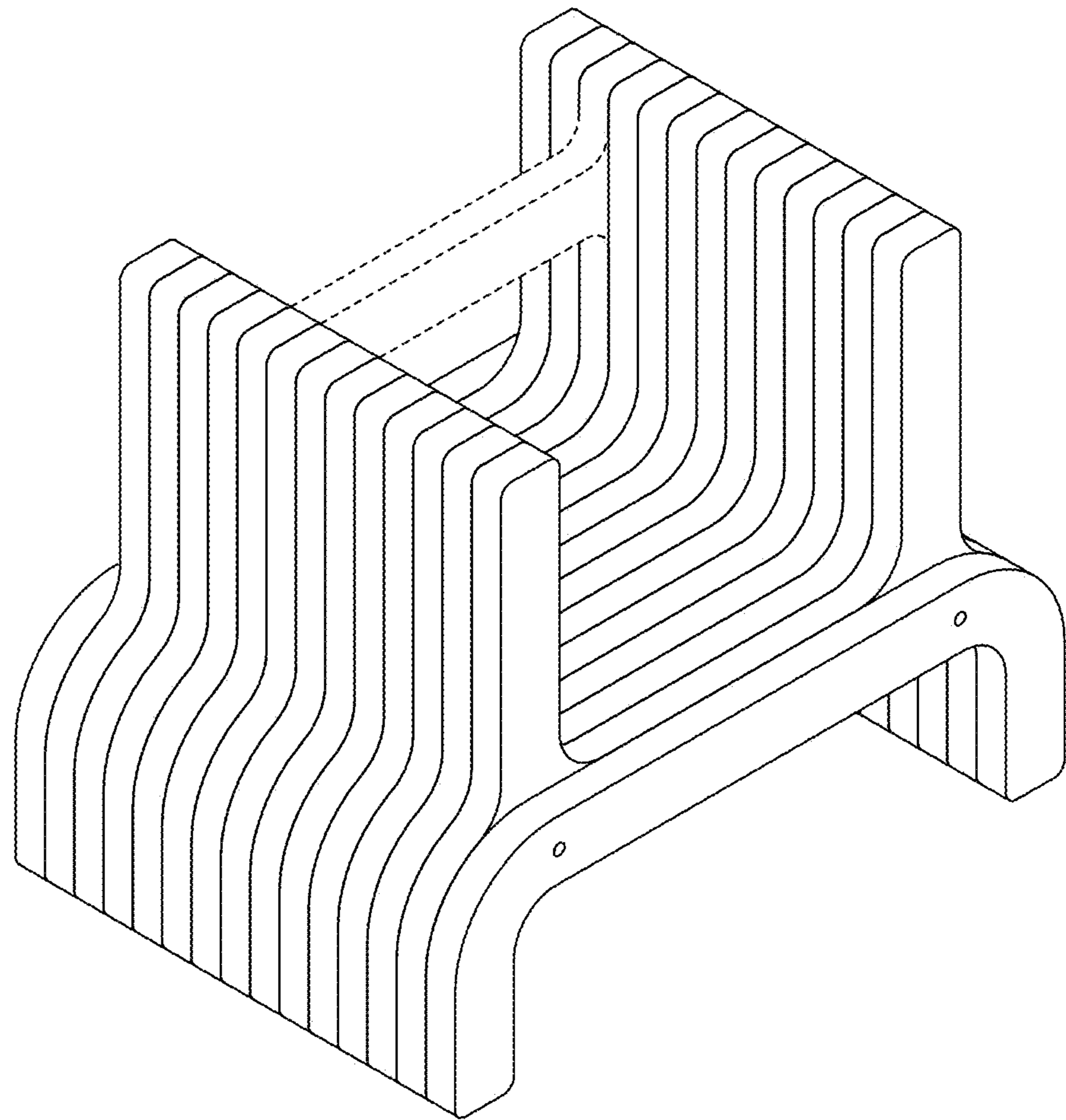


Fig. 28

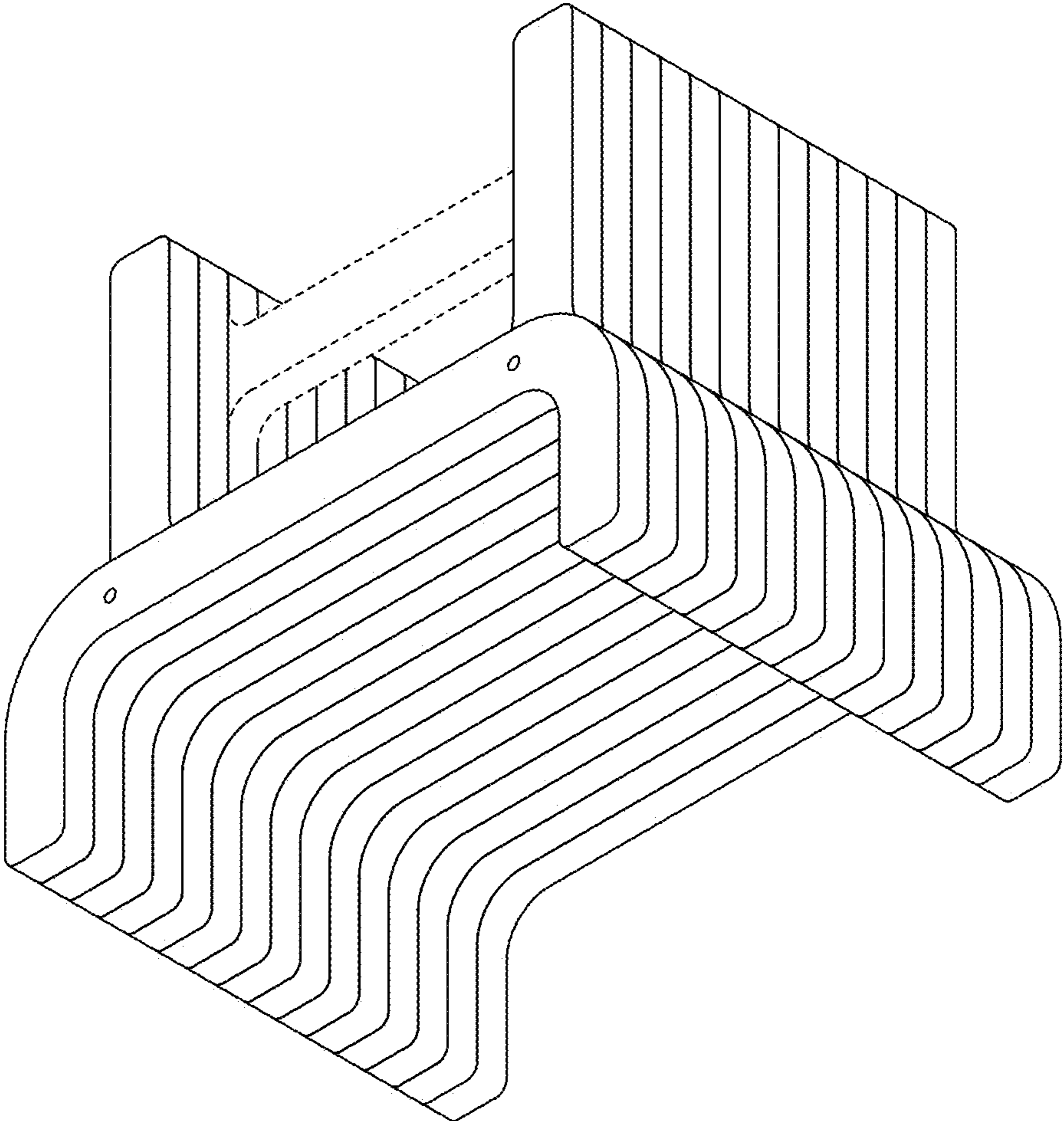


Fig. 29

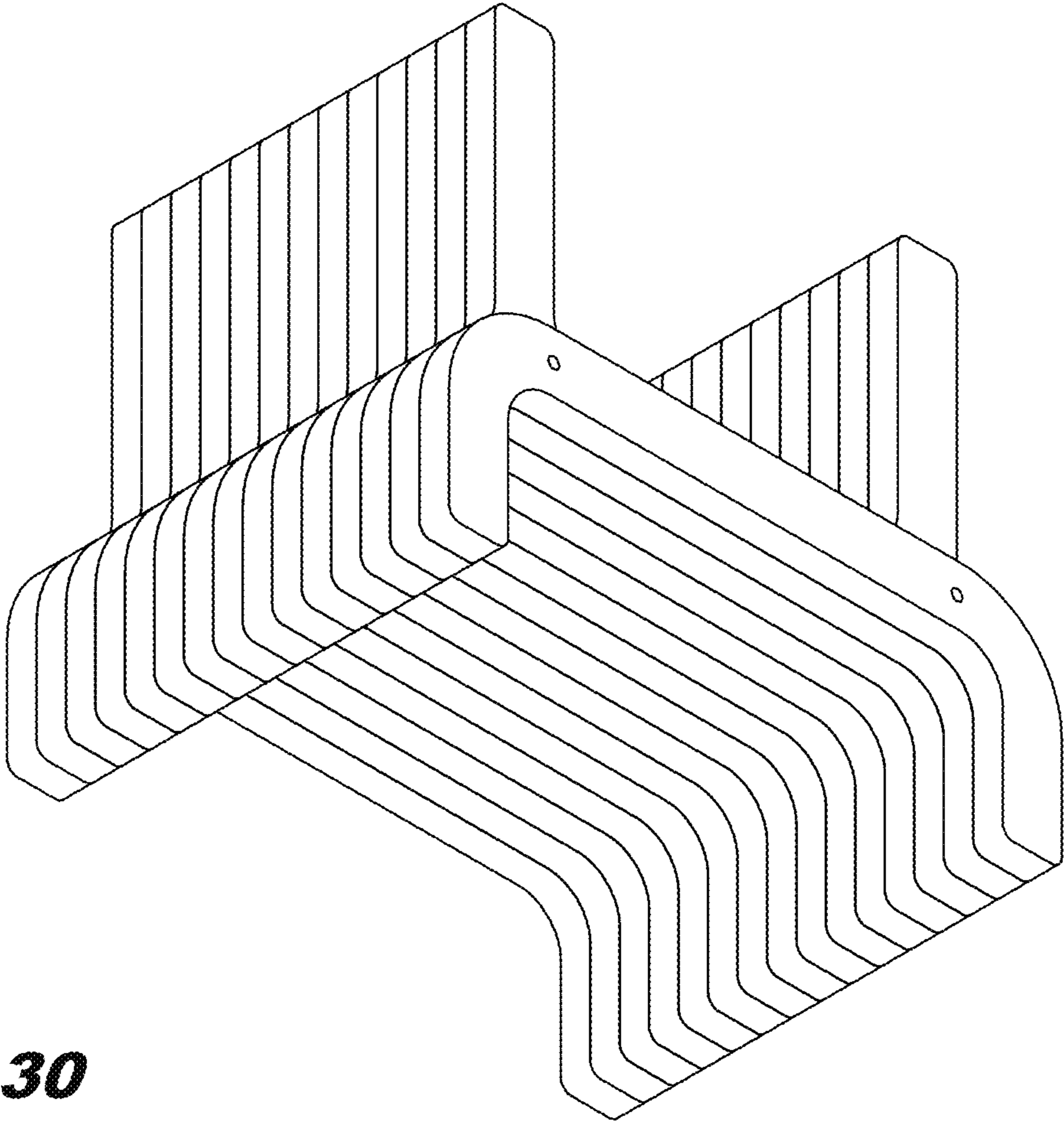


Fig. 30

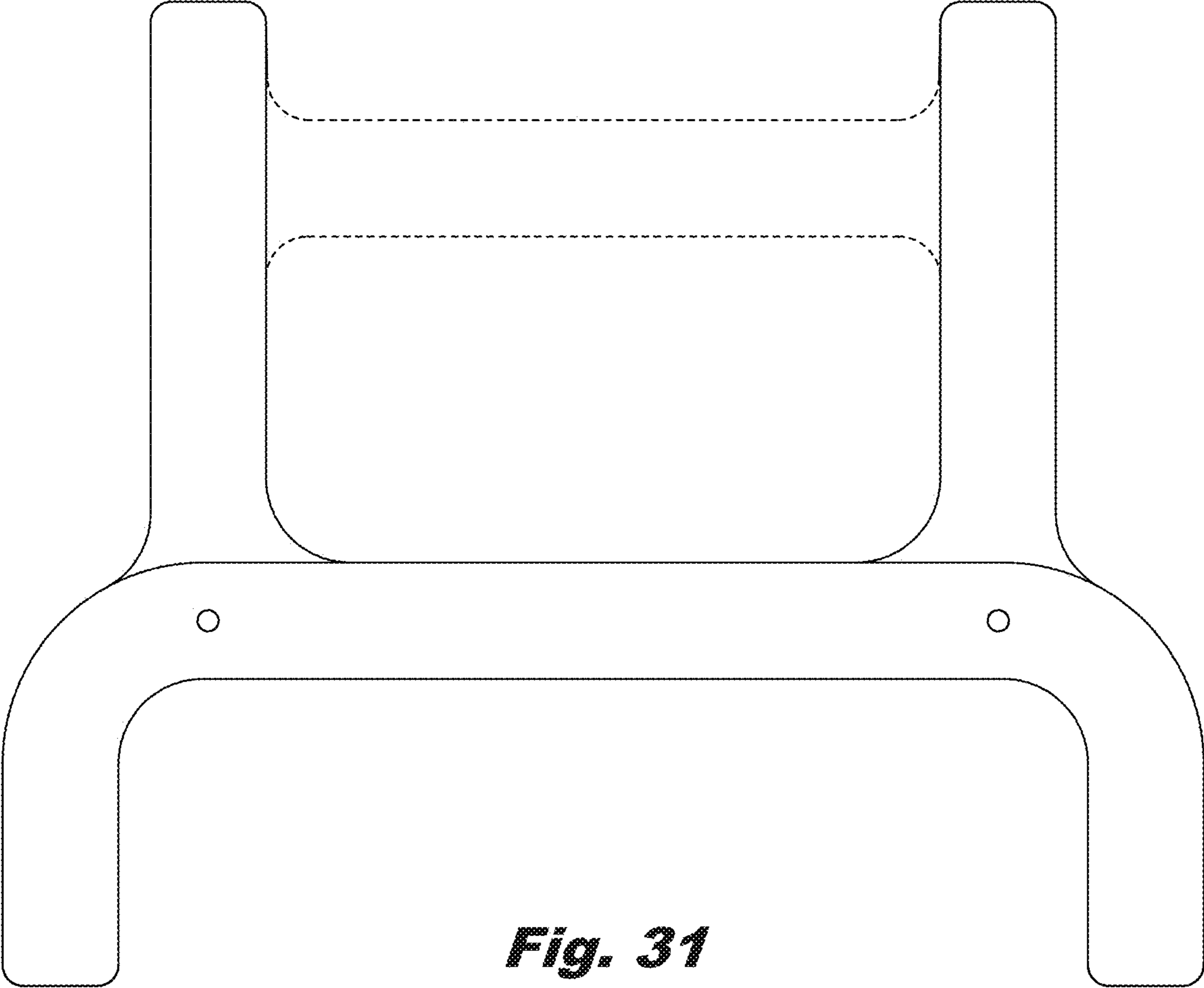


Fig. 31

Fig. 32

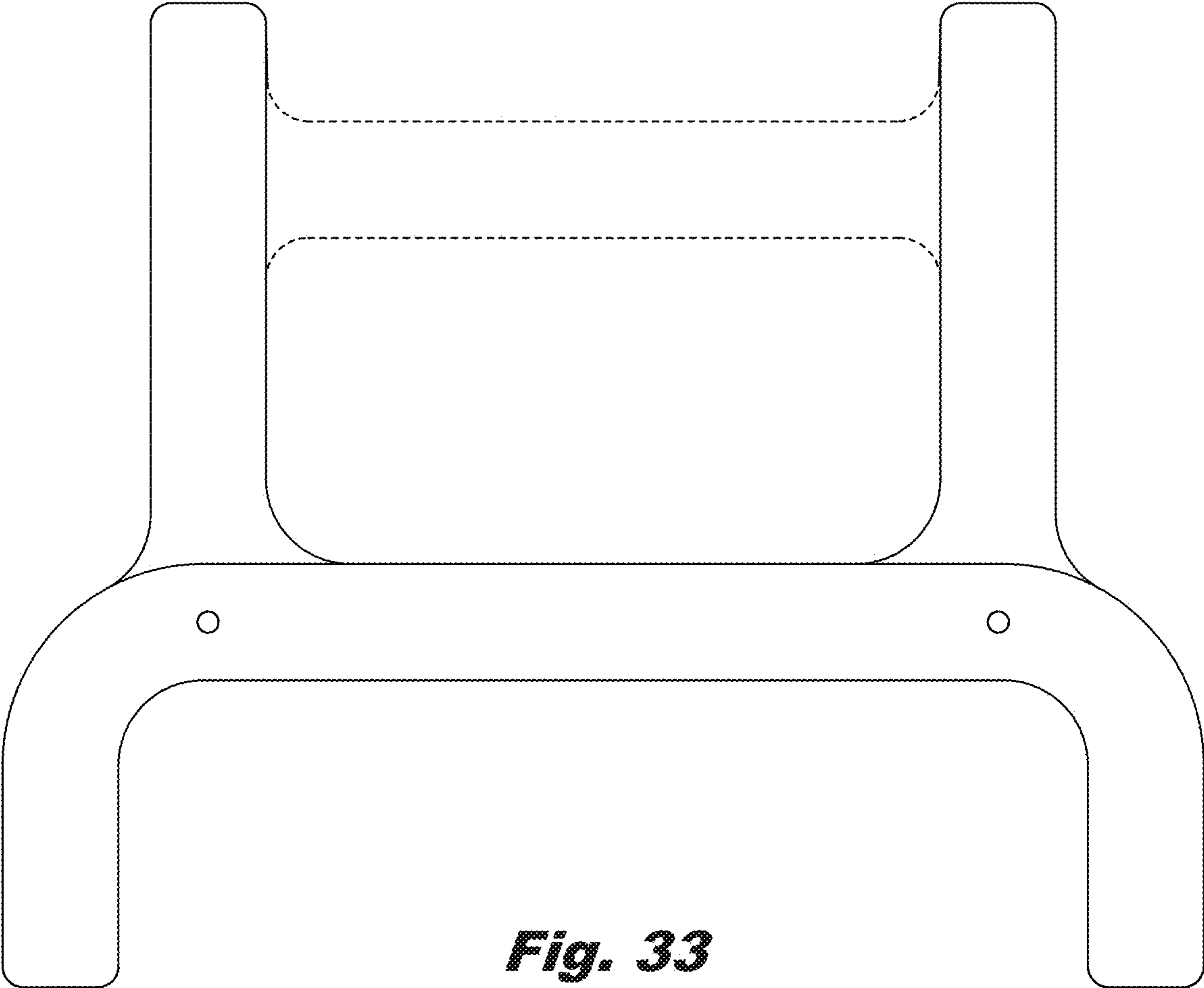


Fig. 33

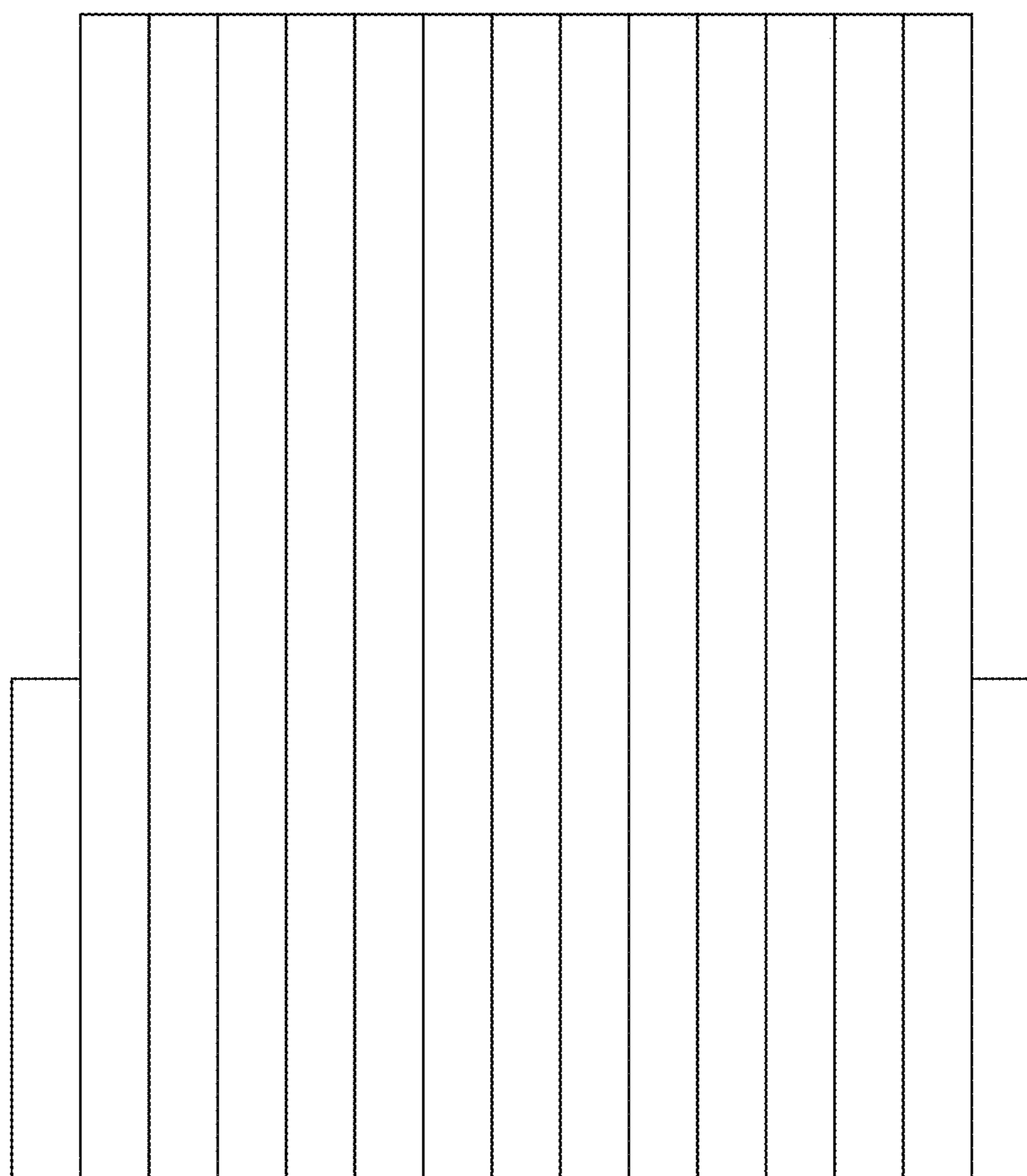


Fig. 34

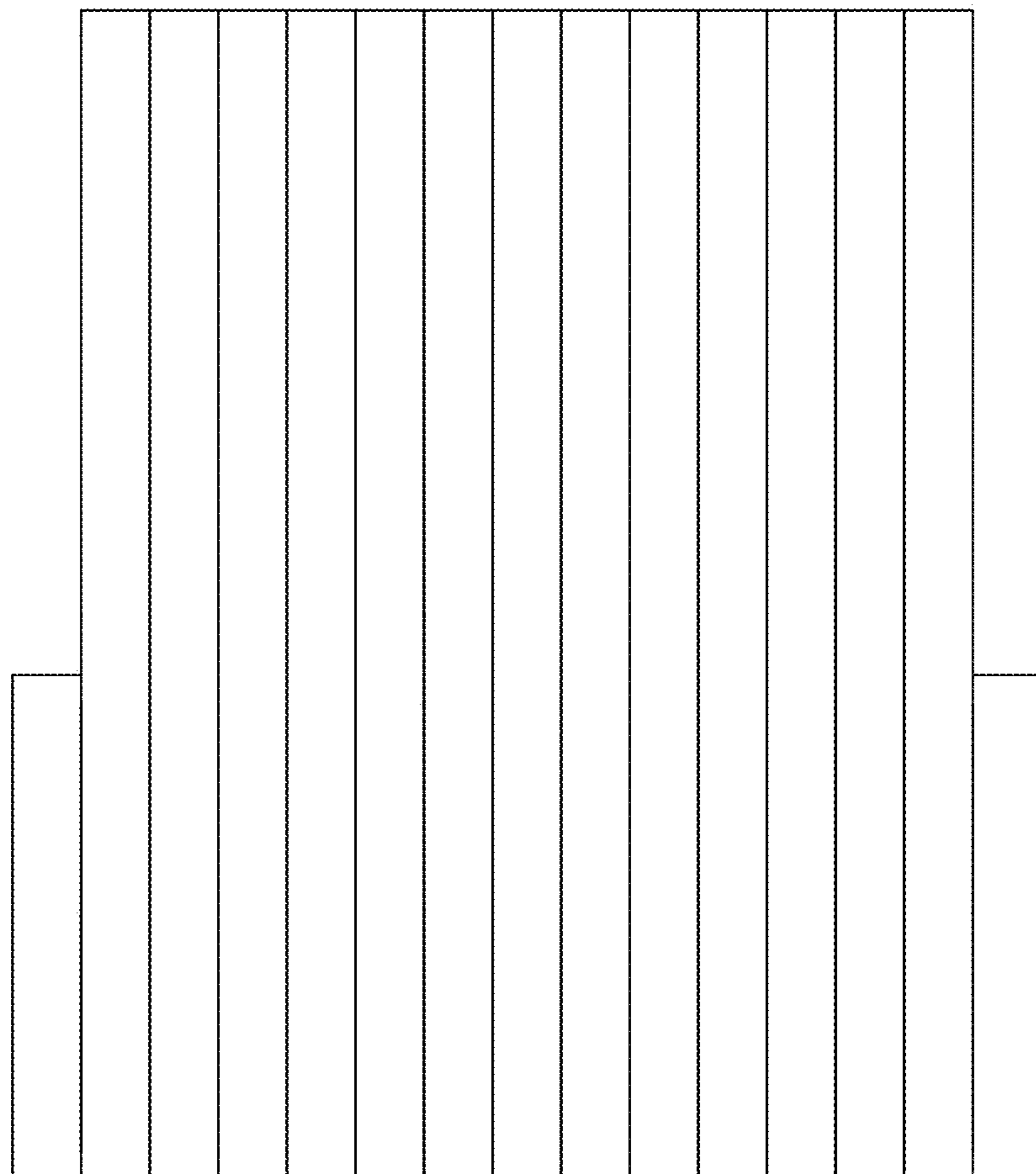


Fig. 35

Fig. 36