



US00D878789S

(12) **United States Design Patent**
Wang

(10) **Patent No.:** **US D878,789 S**

(45) **Date of Patent:** **** Mar. 24, 2020**

(54) **CHAIR**

D770,820 S * 11/2016 Mezzera D6/366
D809,841 S * 2/2018 Mao D6/716
D811,793 S * 3/2018 Palma D6/716

(71) Applicant: **ZHEJIANG HENGLIN CHAIR
INDUSTRY CO., LTD.**, Zhejiang (CN)

* cited by examiner

(72) Inventor: **Jianglin Wang**, Zhejiang (CN)

Primary Examiner — Mimoso De

(73) Assignee: **ZHEJIANG HENGLIN CHAIR
INDUSTRY CO., LTD.**, Zhejiang (CN)

(74) *Attorney, Agent, or Firm* — JCIPRNET

(**) Term: **15 Years**

(57) **CLAIM**

(21) Appl. No.: **29/671,192**

The ornamental design for a chair, as shown and described.

(22) Filed: **Nov. 25, 2018**

(51) **LOC (12) Cl.** **06-01**

(52) **U.S. Cl.**
USPC **D6/366**

(58) **Field of Classification Search**
USPC D6/334-336, 356, 364, 365, 366, 367,
D6/374, 379, 716, 716.1, 716.2, 716.3,
D6/716.4
CPC .. A47C 4/028; A47C 7/02; A47C 7/18; A47C
7/24; A47C 7/38; A47C 7/40; A47C 7/54;
B60N 2/02; B60N 2/22

See application file for complete search history.

DESCRIPTION

FIG. 1 is a perspective view of a chair showing my new design;
FIG. 2 is a front view thereof;
FIG. 3 is a rear view thereof;
FIG. 4 is a left side view thereof;
FIG. 5 is a right side view thereof;
FIG. 6 is a top view thereof; and,
FIG. 7 is a perspective view thereof with the cushion slightly lifted.

A bottom view thereof is omitted since it does not contain ornamental features. The heavy broken line showing of stitch lines forms portions of the claimed design, while the light broken line showing of portions of the chair forms no part of the claimed design.

(56) **References Cited**

U.S. PATENT DOCUMENTS

D657,580 S * 4/2012 Zhou D6/366
D738,129 S * 9/2015 Wu D6/366

1 Claim, 7 Drawing Sheets

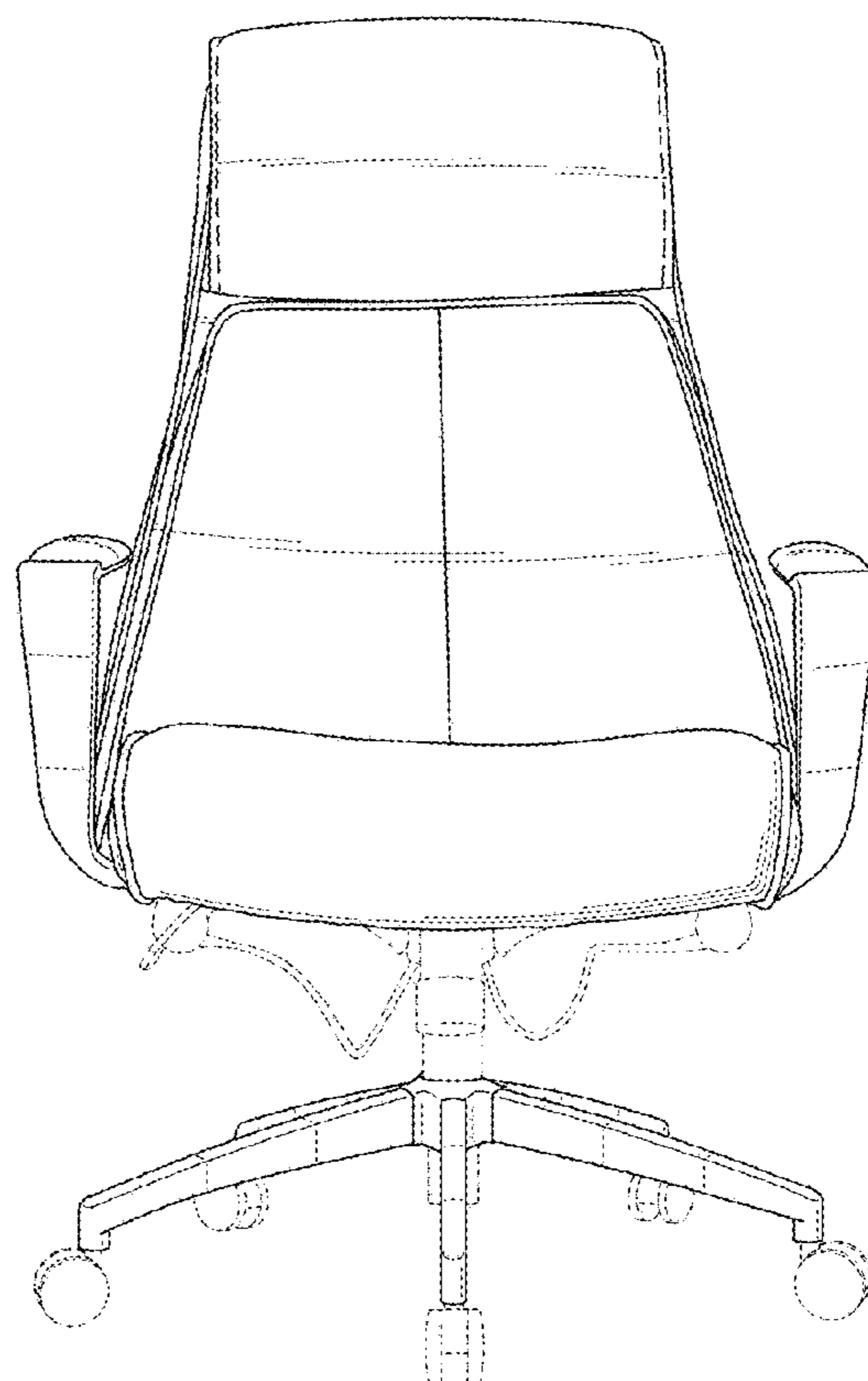
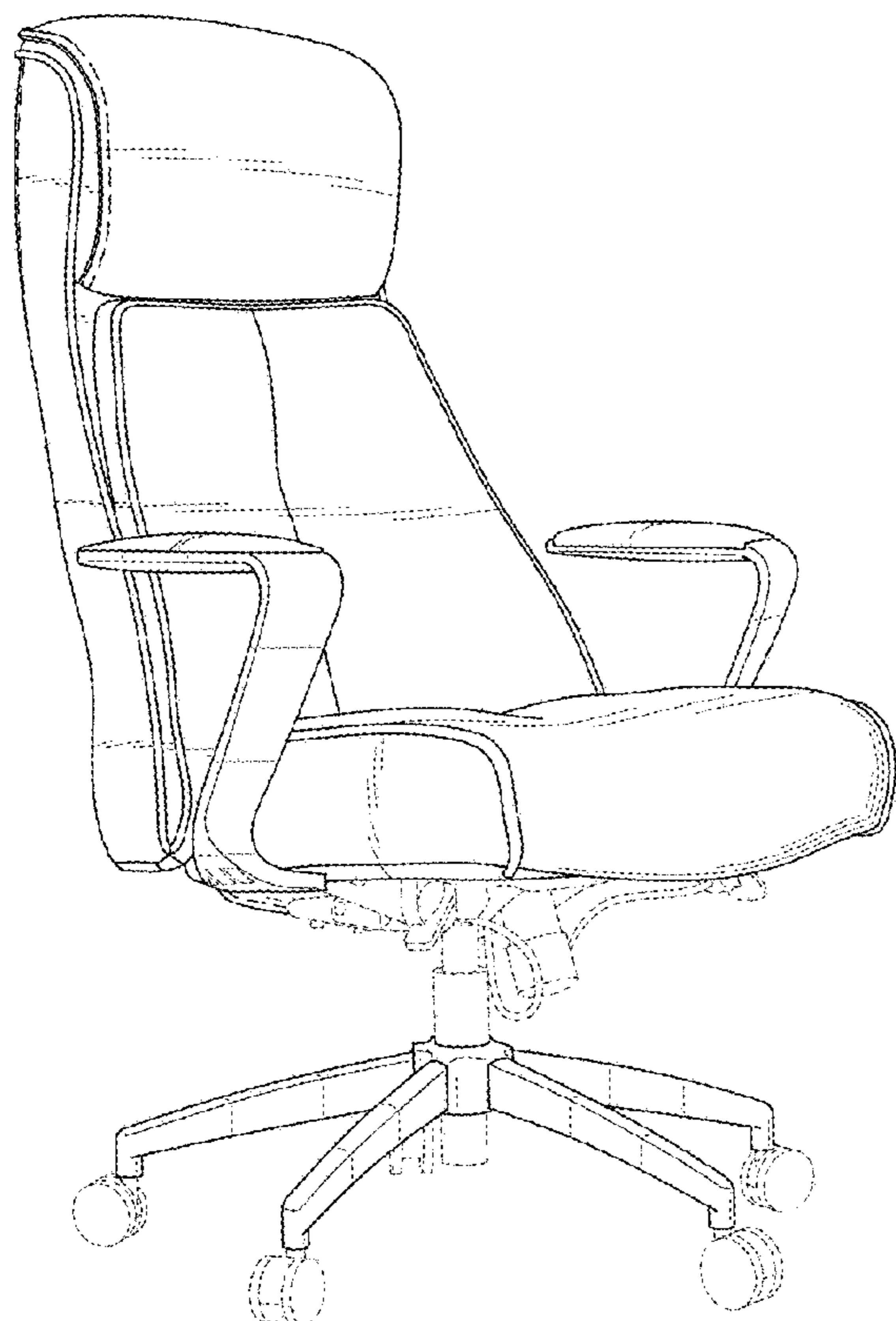




FIG. 1

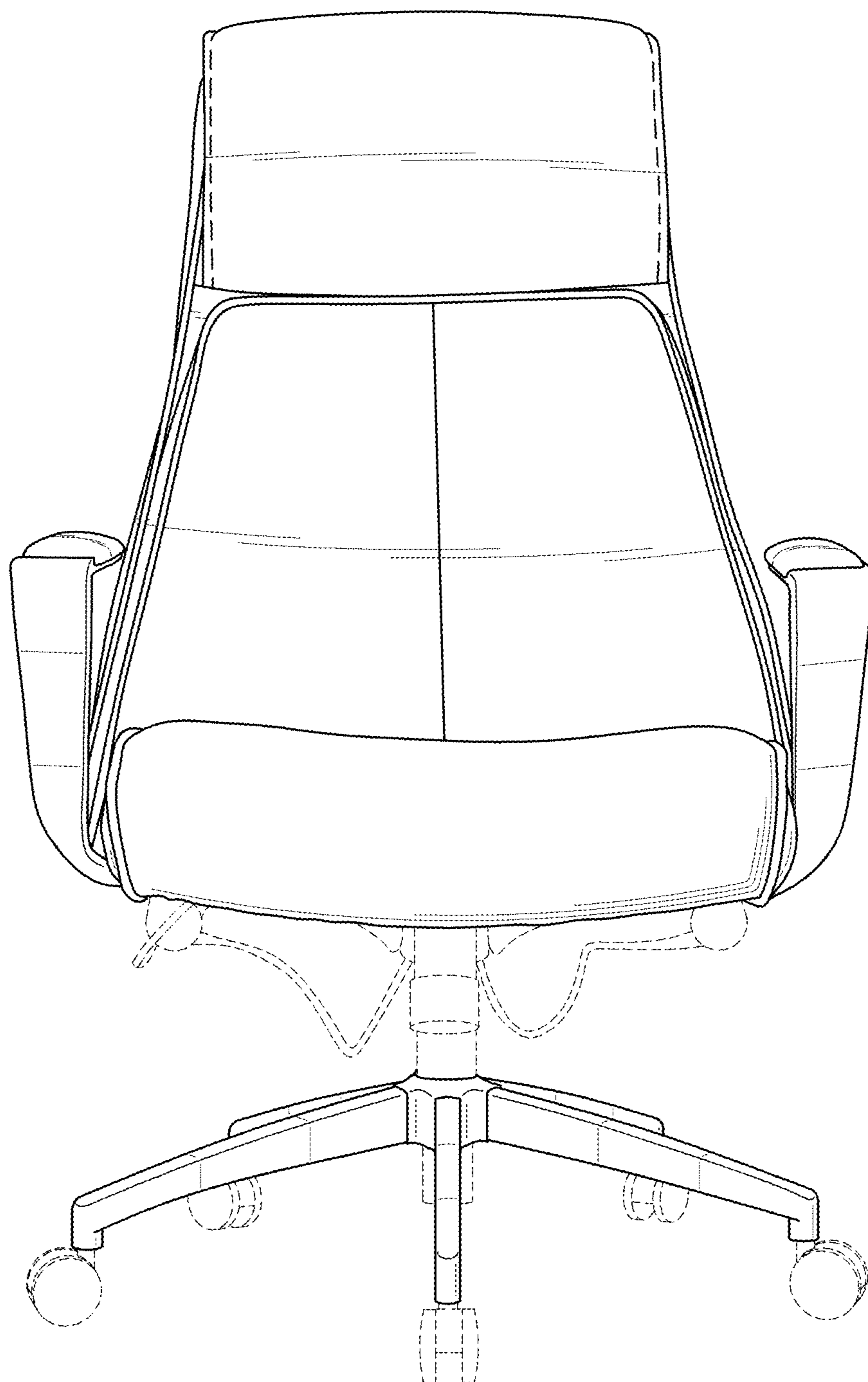


FIG. 2

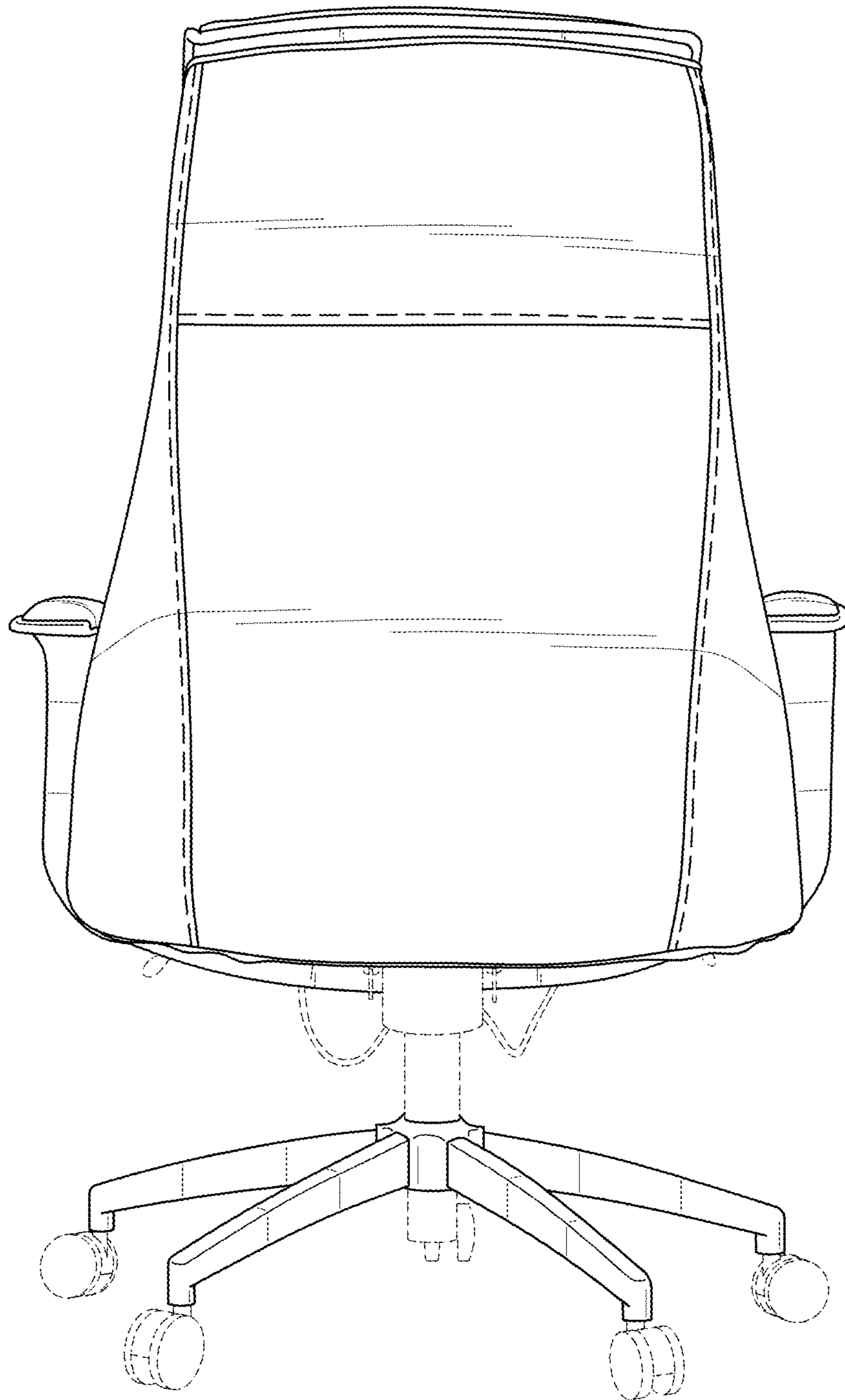


FIG. 3

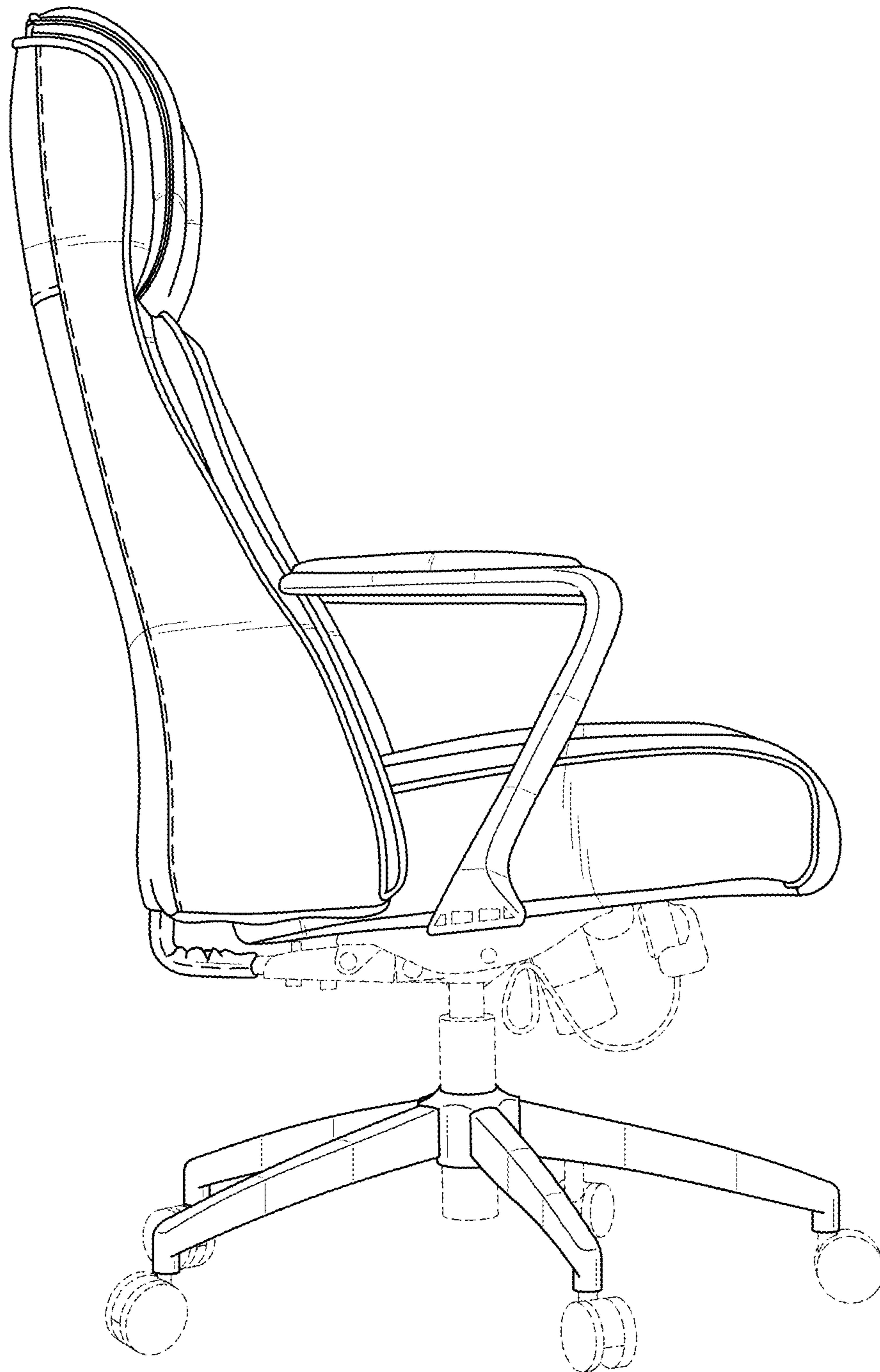


FIG. 4

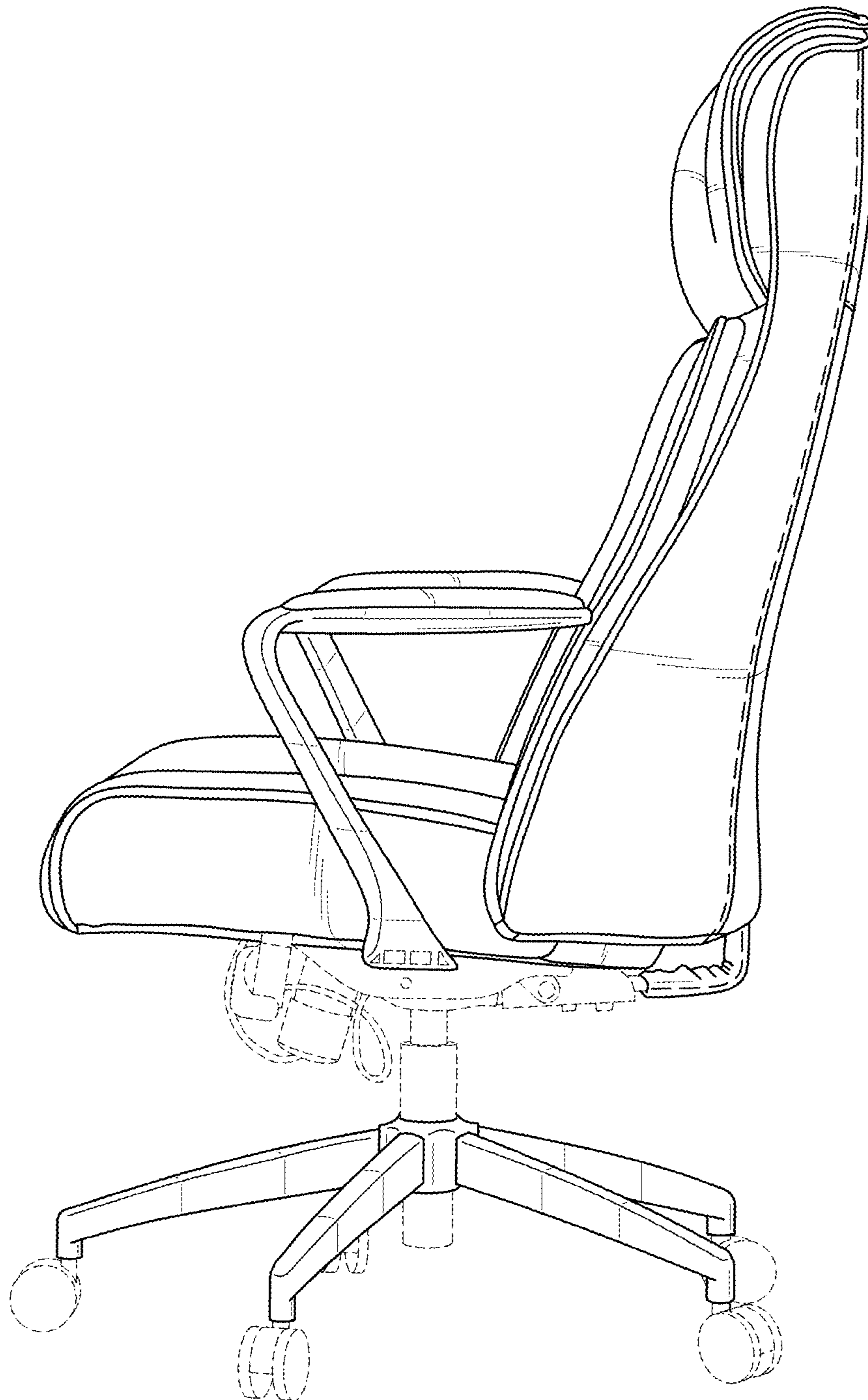


FIG. 5

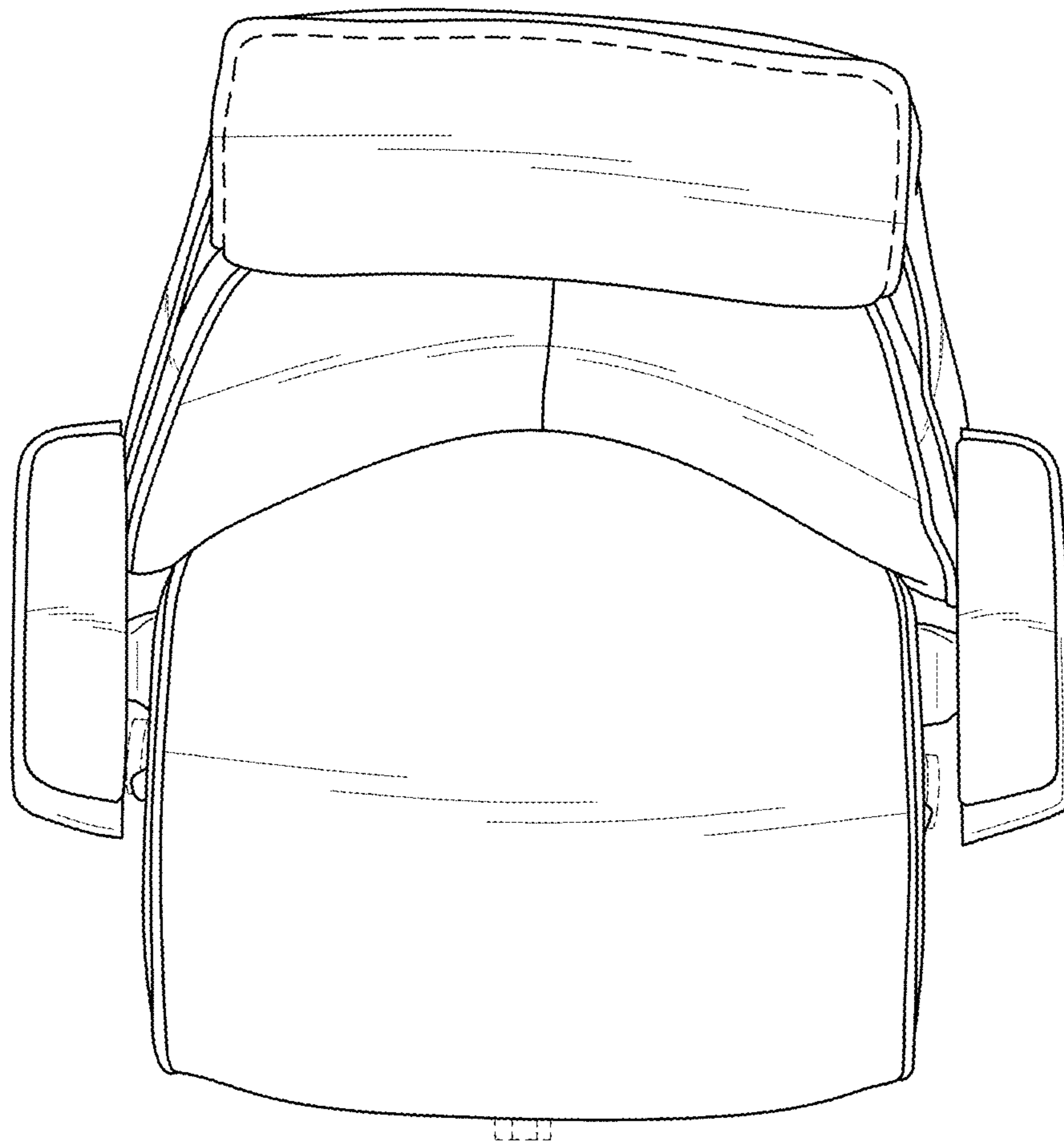


FIG. 6



FIG. 7