



US00D878788S

(12) **United States Design Patent**  
**Wang et al.**

(10) **Patent No.:** **US D878,788 S**  
(45) **Date of Patent:** **\*\* Mar. 24, 2020**

(54) **CHAIR**

(71) Applicant: **ZHEJIANG HENGLIN CHAIR  
INDUSTRY CO., LTD.**, Zhejiang (CN)

(72) Inventors: **Jianglin Wang**, Zhejiang (CN); **Wei  
Liu**, Zhejiang (CN)

(73) Assignee: **ZHEJIANG HENGLIN CHAIR  
INDUSTRY CO., LTD.**, Zhejiang (CN)

(\*\*) Term: **15 Years**

(21) Appl. No.: **29/667,173**

(22) Filed: **Oct. 18, 2018**

(30) **Foreign Application Priority Data**

Apr. 19, 2018 (CN) ..... 2018 3 0163434

(51) **LOC (12) Cl.** ..... **06-01**

(52) **U.S. Cl.**  
USPC ..... **D6/366**

(58) **Field of Classification Search**  
USPC ..... D6/334-336, 364, 365, 366, 374, 379,  
D6/380, 716, 716.1, 716.2, 716.4  
CPC .. A47C 7/004; A47C 7/02; A47C 3/24; A47C  
7/282; A47C 7/40; A47C 7/46; A47C  
7/462; A47C 7/18; A47C 7/24; A47C  
7/54

See application file for complete search history.

(56) **References Cited**

U.S. PATENT DOCUMENTS

D558,997 S *	1/2008	Igarashi	.....	D6/366
D568,057 S *	5/2008	Igarashi	.....	D6/366
D665,592 S *	8/2012	Citterio	.....	D6/366
D763,587 S *	8/2016	Neil	.....	D6/366
D800,472 S *	10/2017	Meda	.....	D6/366
D802,953 S *	11/2017	Meda	.....	D6/366

\* cited by examiner

*Primary Examiner* — Mimoso De

(74) *Attorney, Agent, or Firm* — JCIPRNET

(57) **CLAIM**

The ornamental design for a chair, as shown and described.

**DESCRIPTION**

FIG. 1 is a perspective view of a chair showing our new design;

FIG. 2 is a front view thereof;

FIG. 3 is a rear view thereof;

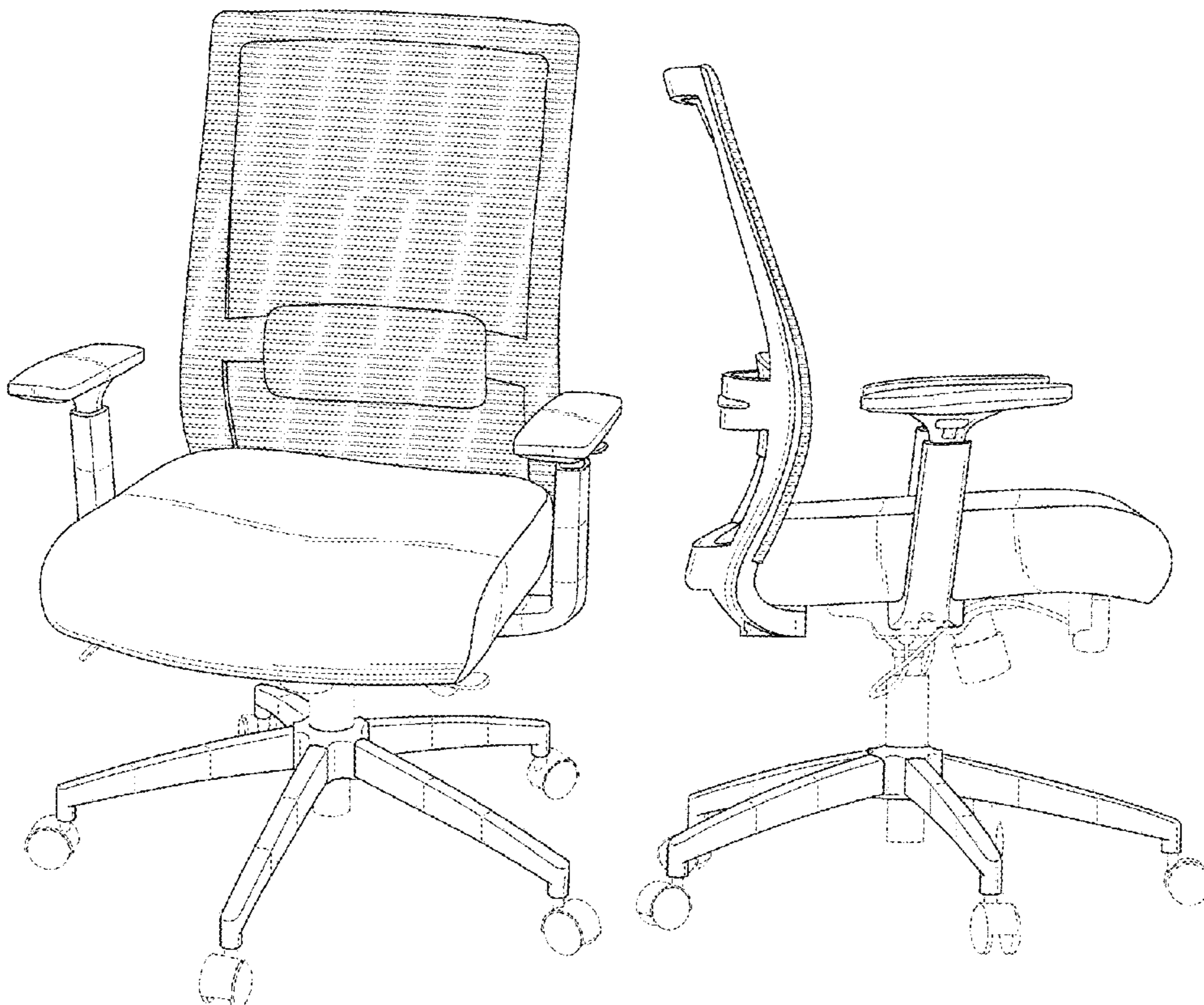
FIG. 4 is a left side view thereof;

FIG. 5 is a right side view thereof; and,

FIG. 6 is a top view thereof.

A bottom view thereof is omitted since it does not contain ornamental features. The heavy broken line showing of stitch lines in FIG. 3 forms portions of the claimed design, while the light broken line showing of portions of the chair in all of the drawings forms no part of the claimed design.

**1 Claim, 6 Drawing Sheets**



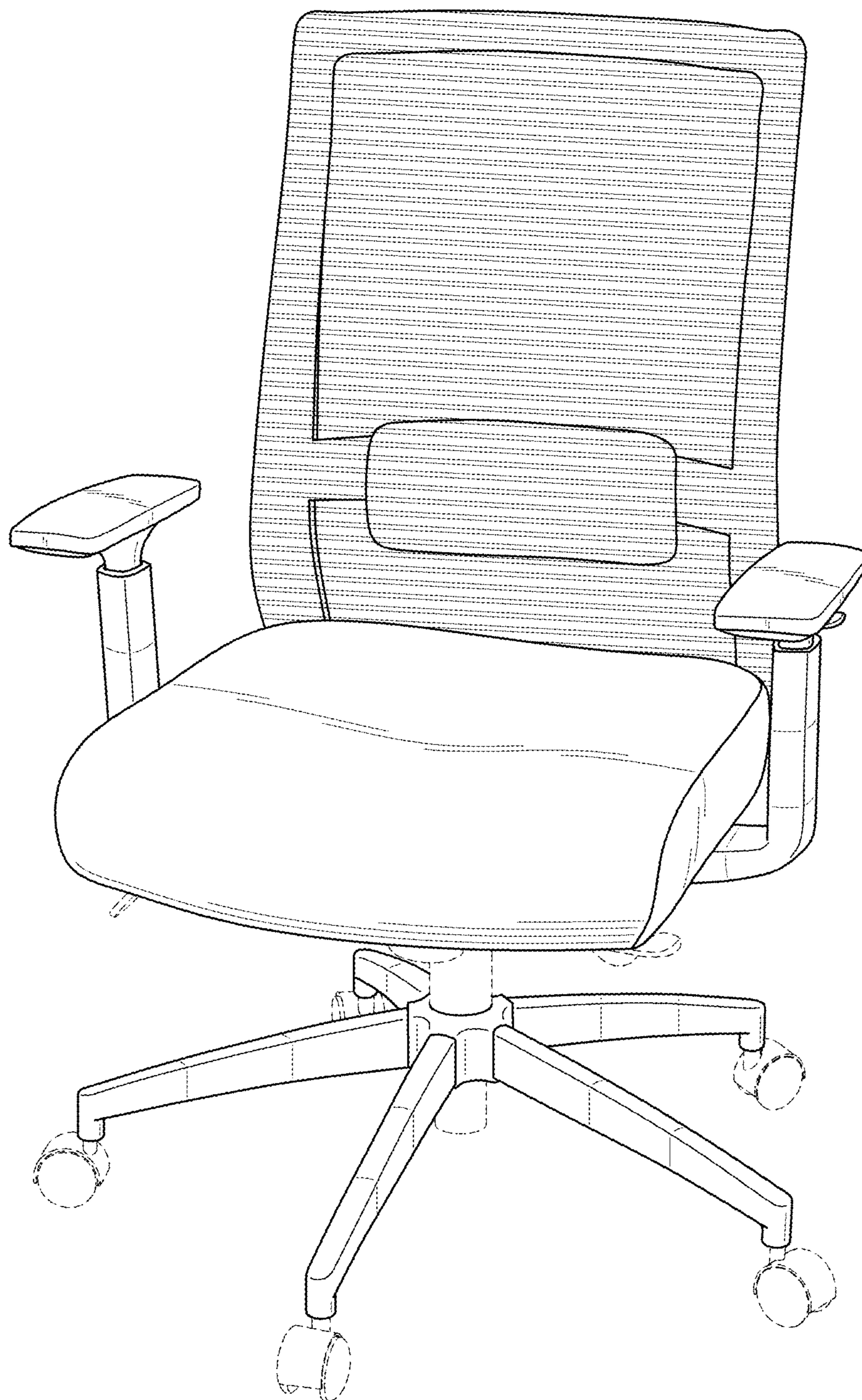


FIG. 1

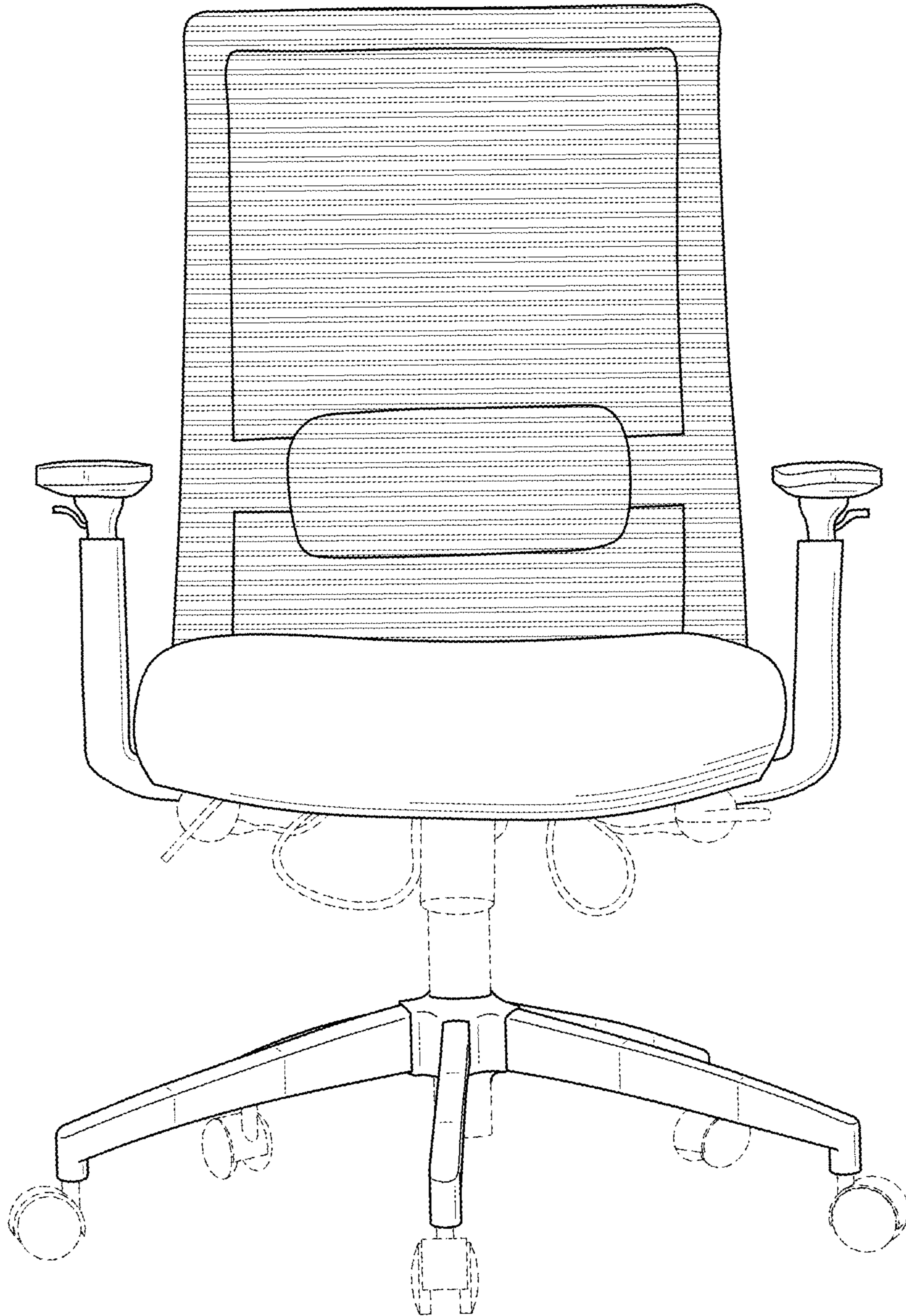


FIG. 2

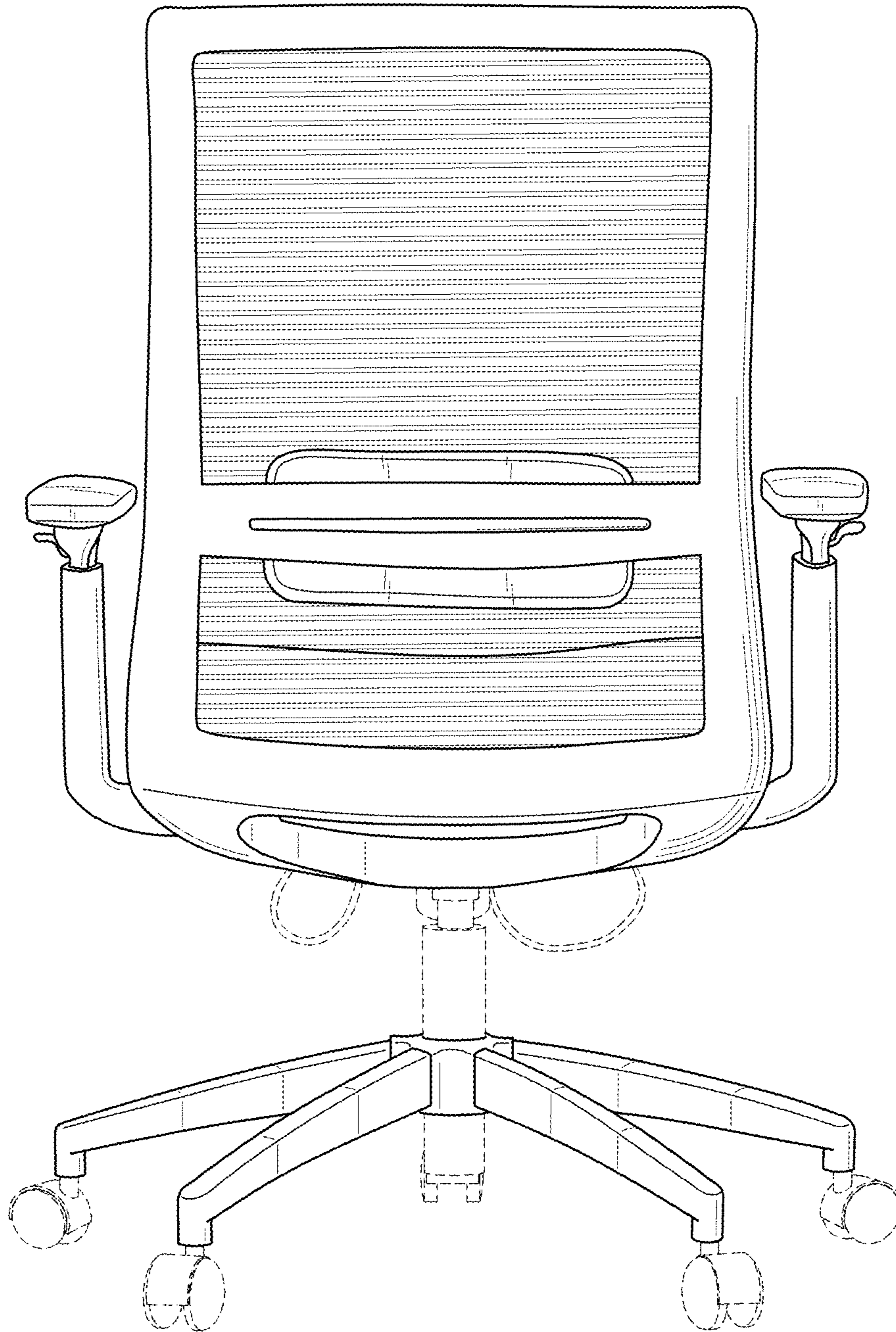


FIG. 3

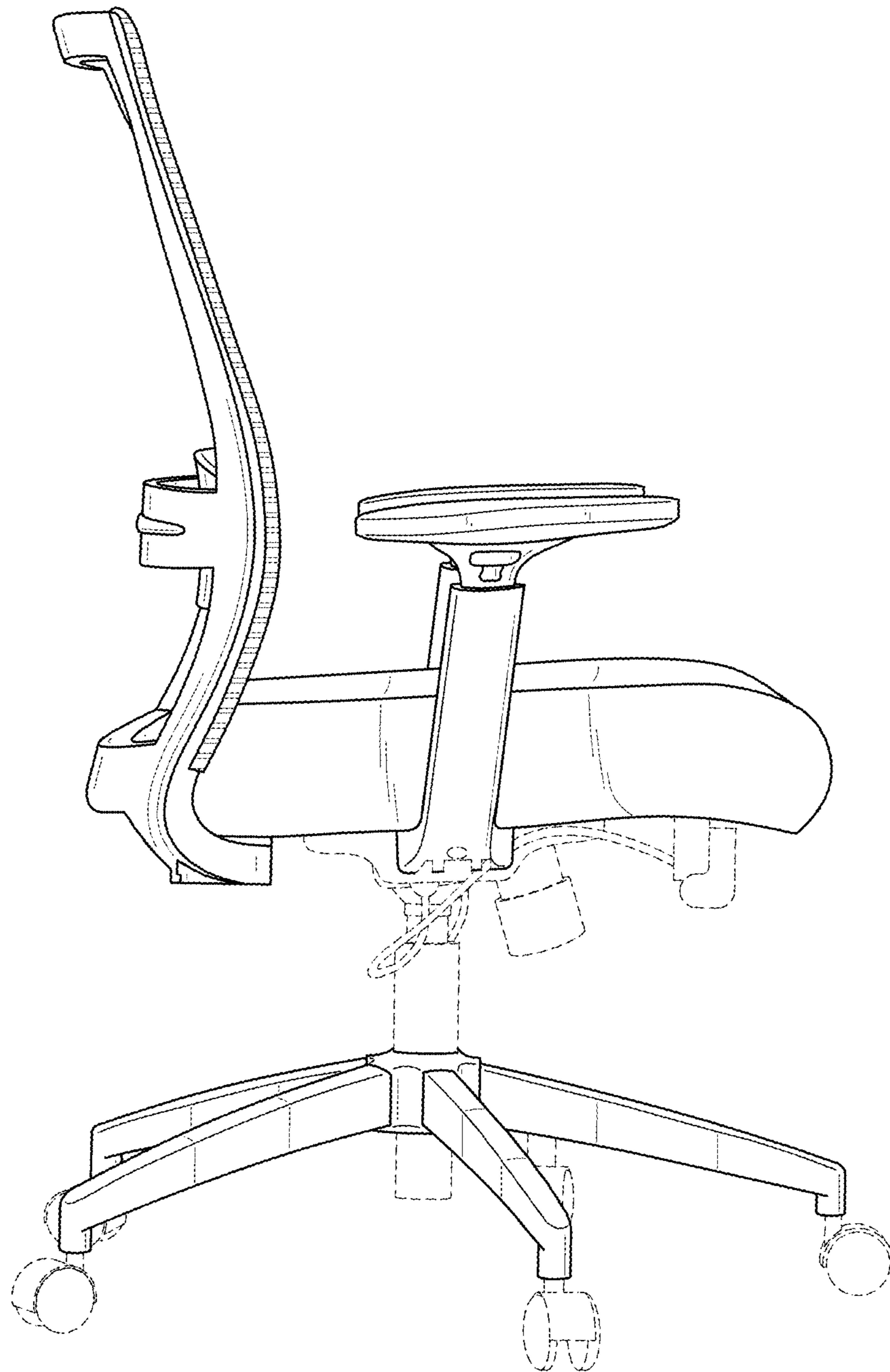


FIG. 4

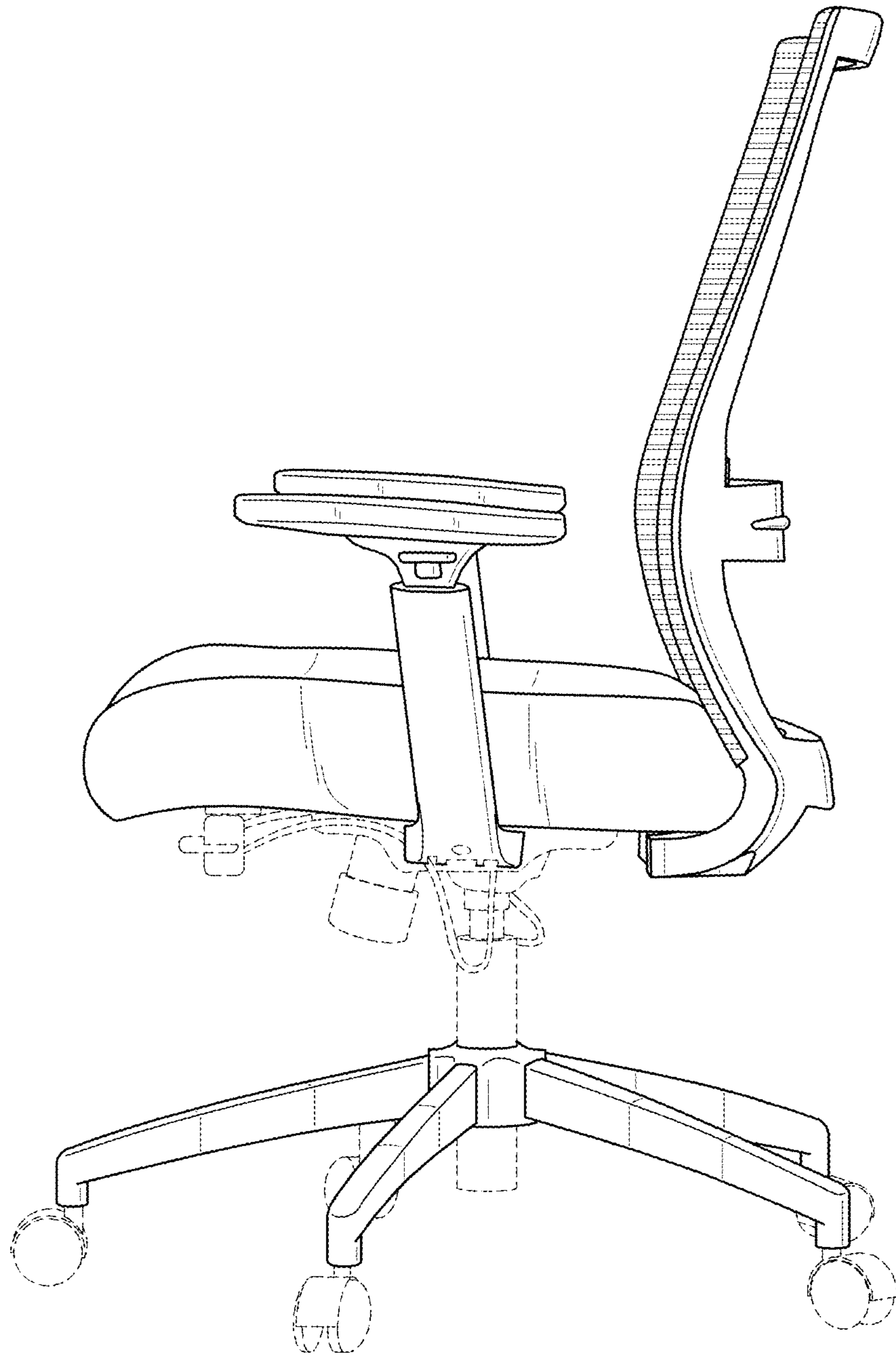


FIG. 5

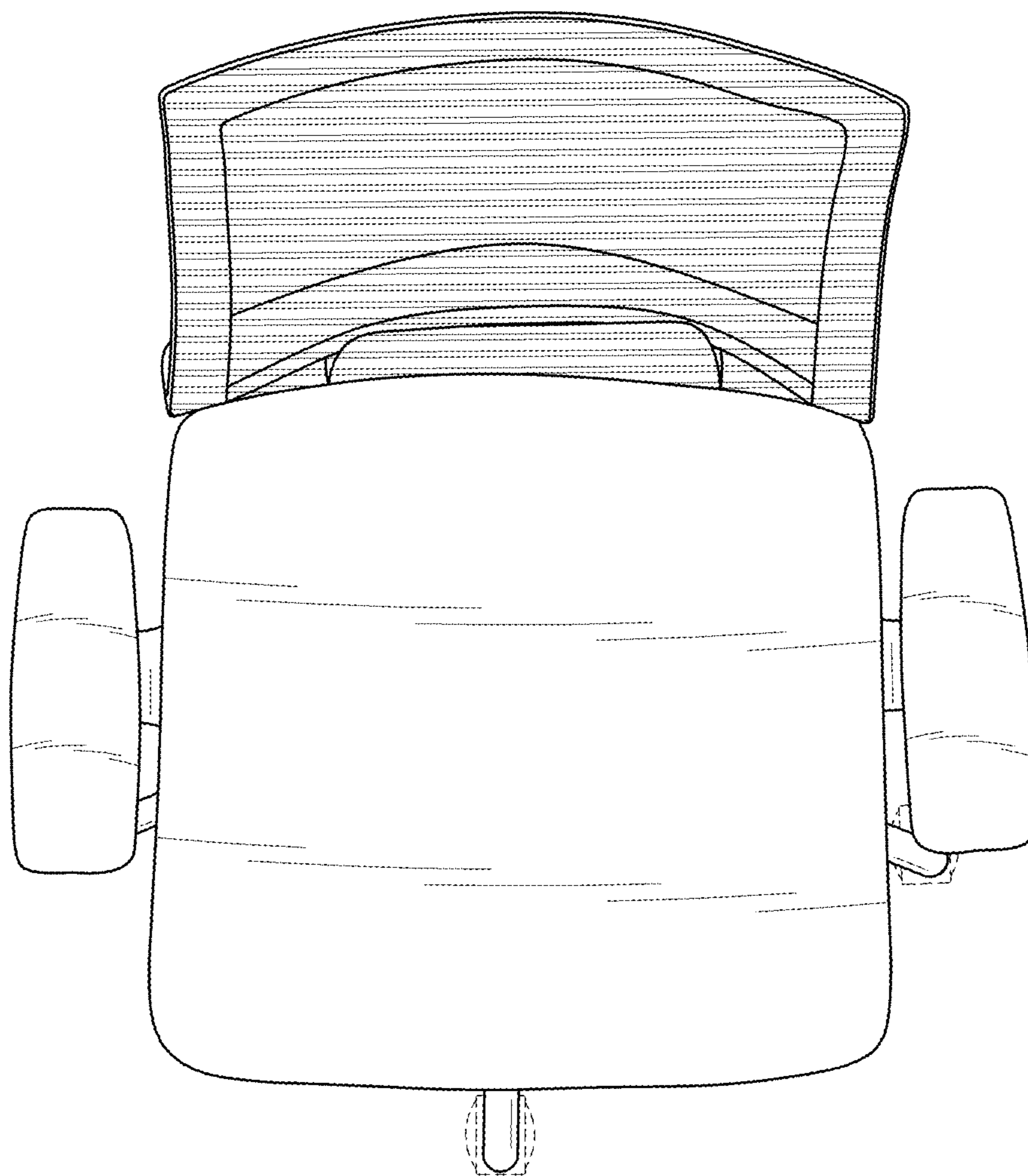


FIG. 6