



US00D878785S

(12) **United States Design Patent**
Qi

(10) **Patent No.:** **US D878,785 S**

(45) **Date of Patent:** **** Mar. 24, 2020**

(54) **OFFICE CHAIR WITH FOOT REST**

(71) Applicant: **Shenzhen Lifuqi E-commerce Co. Ltd.**, Shenzhen (CN)

(72) Inventor: **Jingting Qi**, Jiangxi (CN)

(73) Assignee: **Shenzhen Lifuqi E-Commerce Co., Ltd.**, Shenzhen (CN)

(**) Term: **15 Years**

(21) Appl. No.: **29/625,994**

(22) Filed: **Nov. 14, 2017**

(51) **LOC (12) Cl.** **06-01**

(52) **U.S. Cl.**
USPC **D6/366**

(58) **Field of Classification Search**
USPC D6/334-336, 356, 364, 365, 366, 367,
D6/374, 375, 379, 380, 716, 716.1, 716.3,
D6/716.4, 708.23
CPC A47C 4/028; A47C 7/004; A47C 7/006;
A47C 7/18; A47C 7/24; A47C 7/38;
A47C 7/40; A47C 9/007; B60N 2/02;
B60N 2/22
See application file for complete search history.

(56) **References Cited**

U.S. PATENT DOCUMENTS

D317,534 S * 6/1991 Hansel D6/356
D532,211 S * 11/2006 Su D6/366

D542,547 S * 5/2007 Su D6/366
D549,475 S * 8/2007 Su D6/356
D587,025 S * 2/2009 Juraschek D6/356
D771,399 S * 11/2016 Buffery D6/356
D809,313 S * 2/2018 Mao D6/366
D811,145 S * 2/2018 Li D6/716
D827,320 S * 9/2018 Xue D6/366
D837,551 S * 1/2019 Whyte D6/356
D841,349 S * 2/2019 Pinder D6/356
D841,350 S * 2/2019 Smith D6/356
D847,526 S * 5/2019 Wang D6/366

* cited by examiner

Primary Examiner — Mimosa De

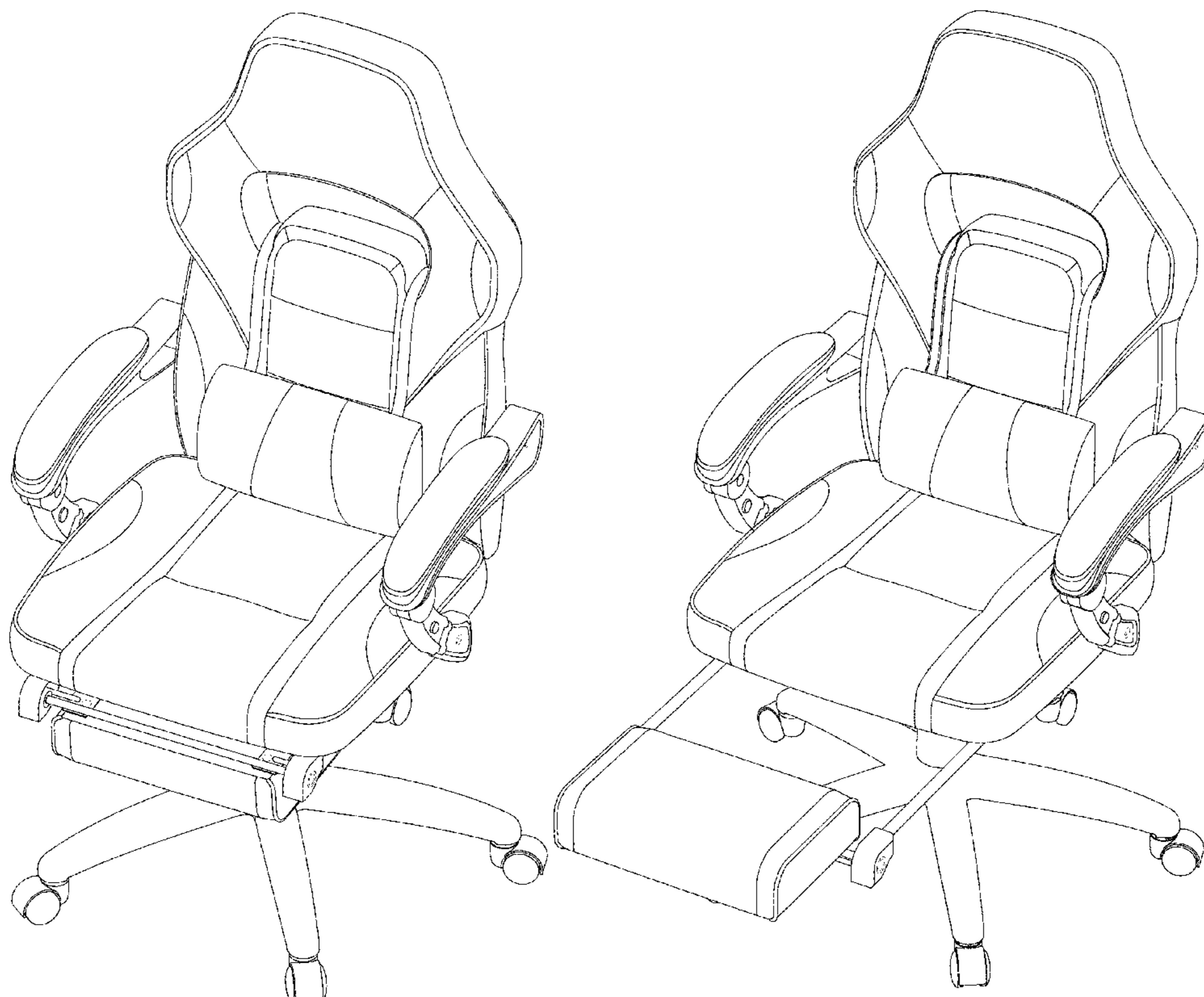
(57) **CLAIM**

The ornamental design for an office chair with foot rest, as shown and described.

DESCRIPTION

FIG. 1 is a perspective view of an office chair with foot rest; FIG. 2 is a front elevation view thereof; FIG. 3 is a rear elevation view thereof; FIG. 4 is a right side view thereof; FIG. 5 is a left side view thereof; FIG. 6 is a bottom plan view thereof; FIG. 7 is a top plan view thereof; and, FIG. 8 is another perspective view of the office chair with foot rest, with the foot rest in an unfolded position. The broken lines in the figures illustrate portions of the office chair with foot rest that form no part of the claimed design.

1 Claim, 8 Drawing Sheets



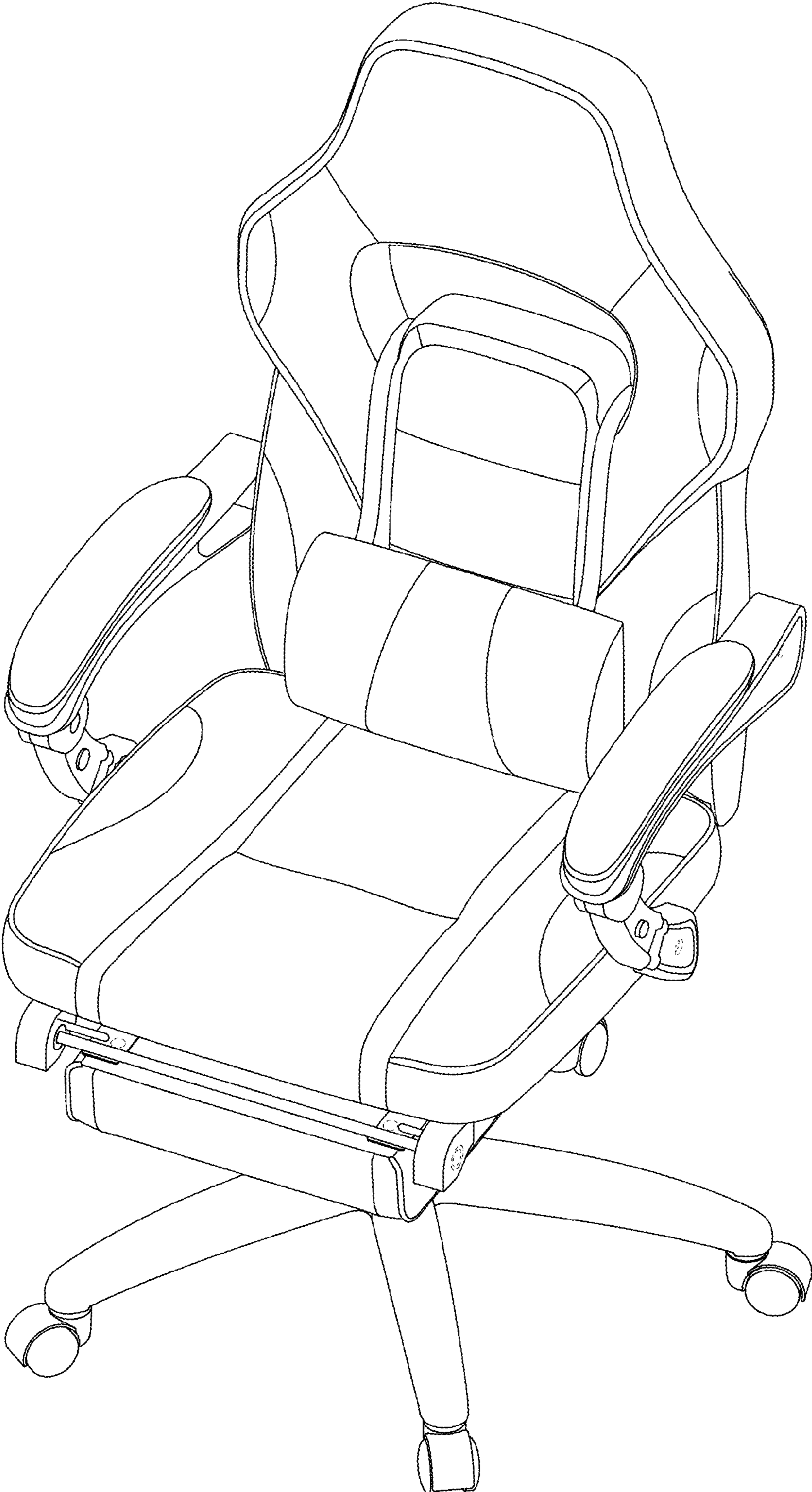


FIG. 1

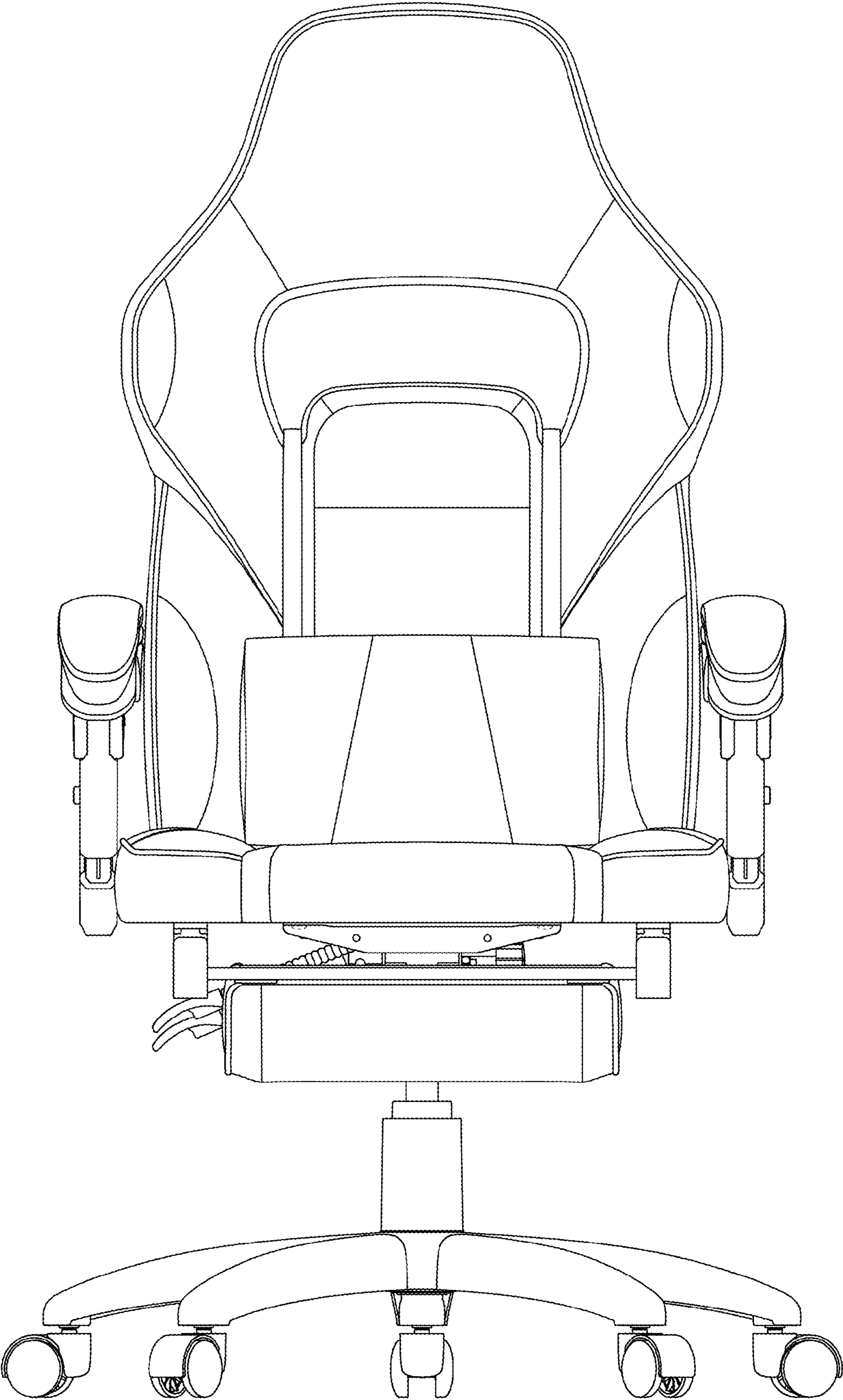


FIG. 2

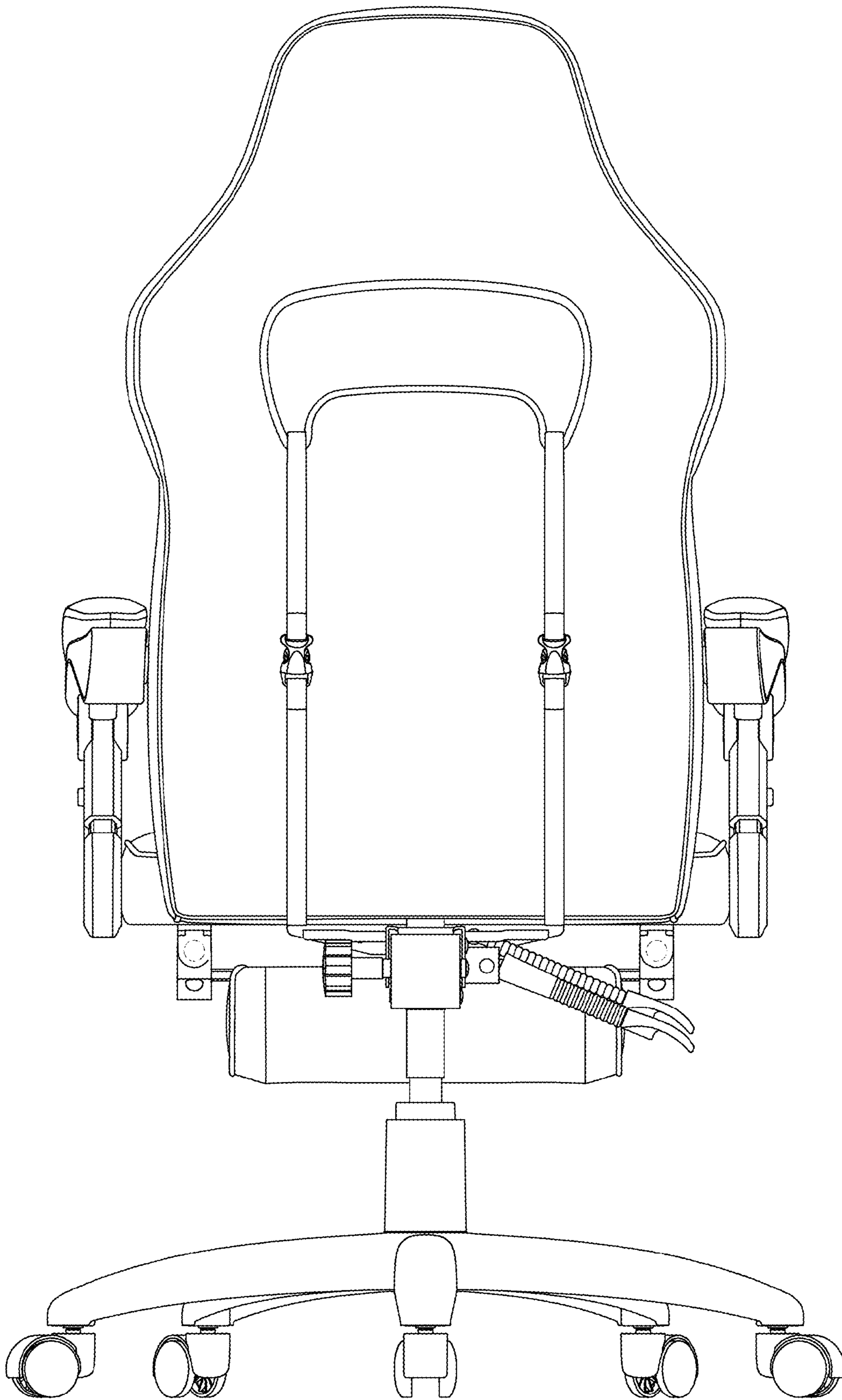


FIG. 3

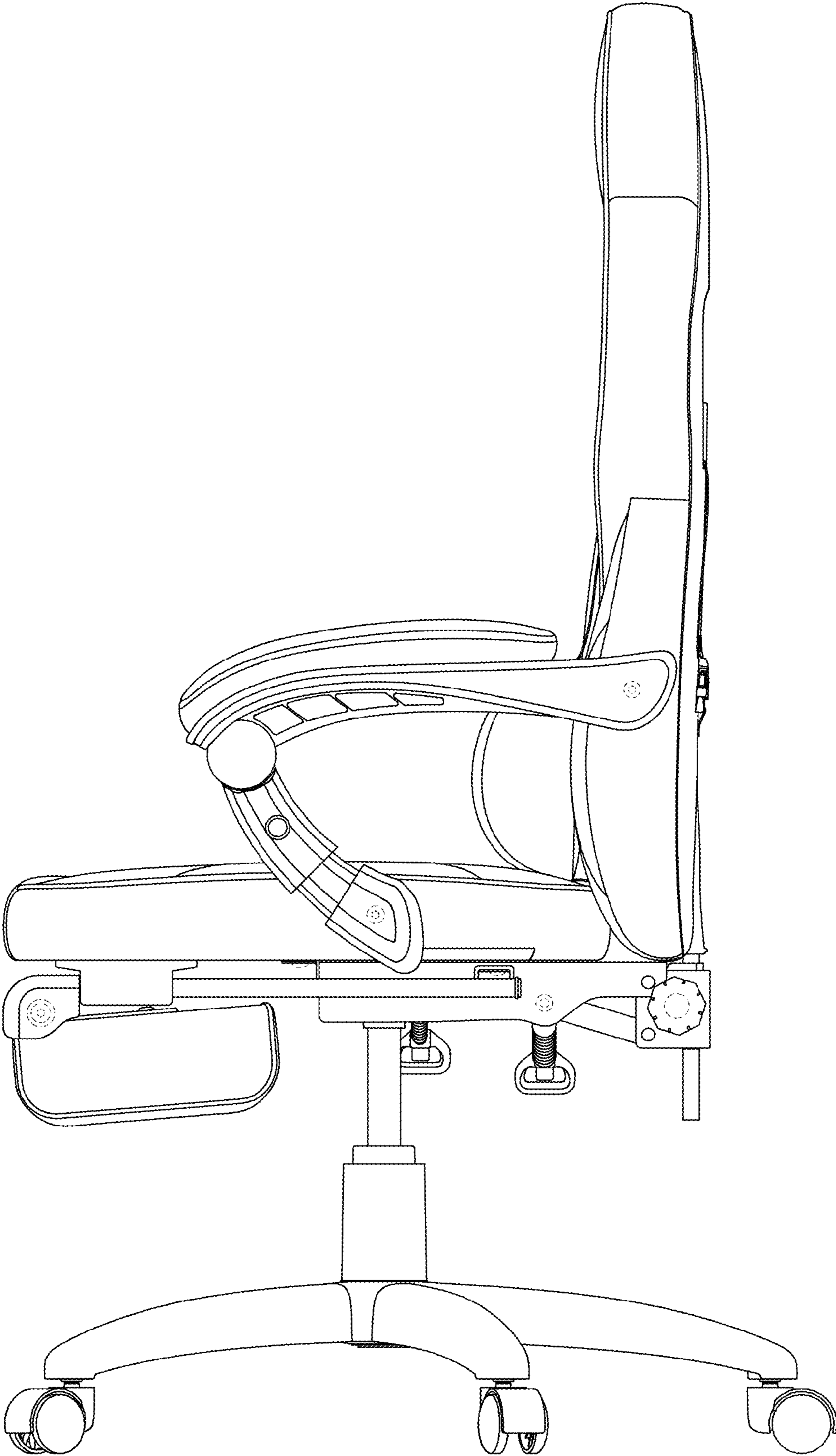


FIG. 4

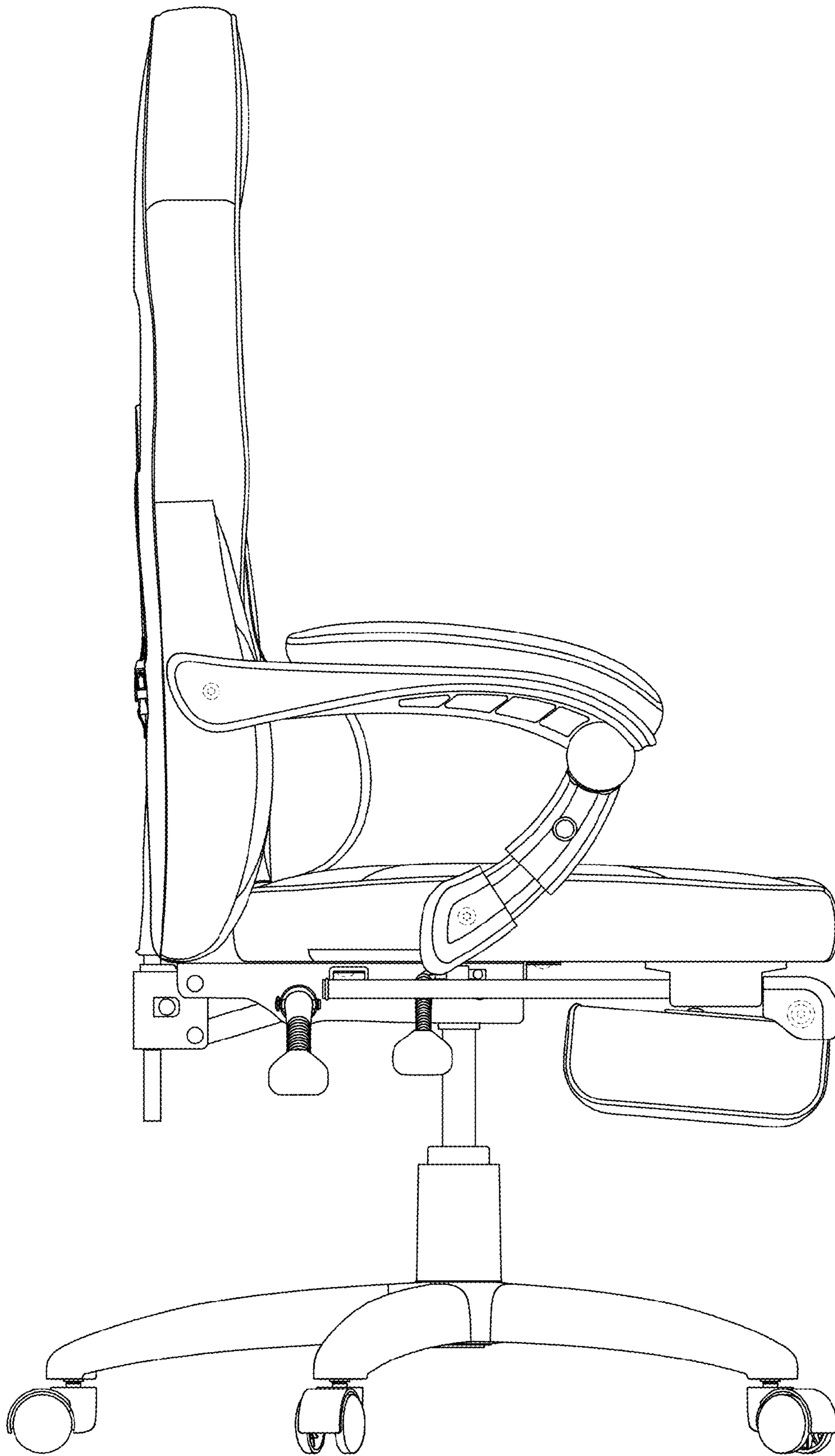


FIG. 5

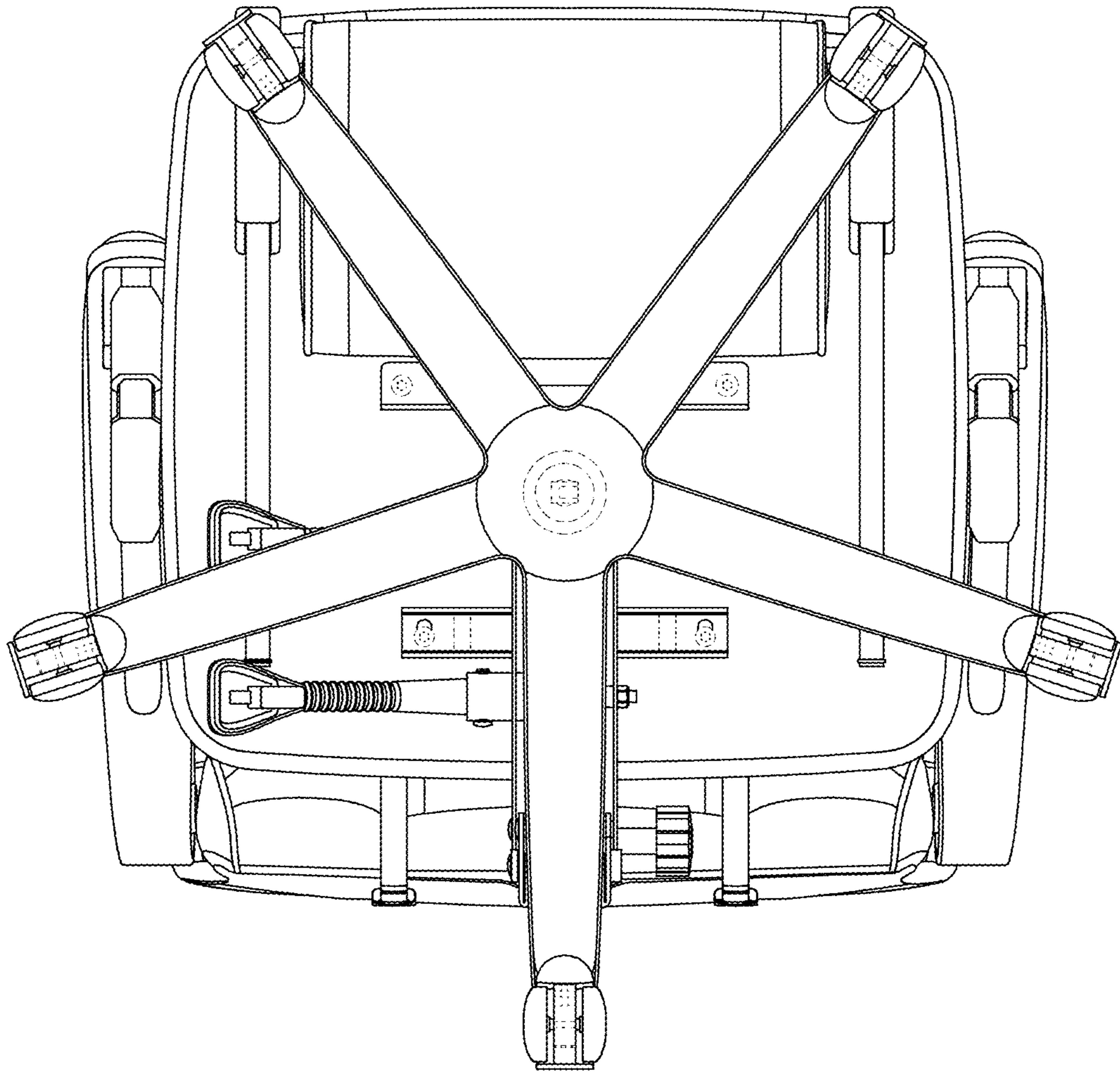


FIG. 6

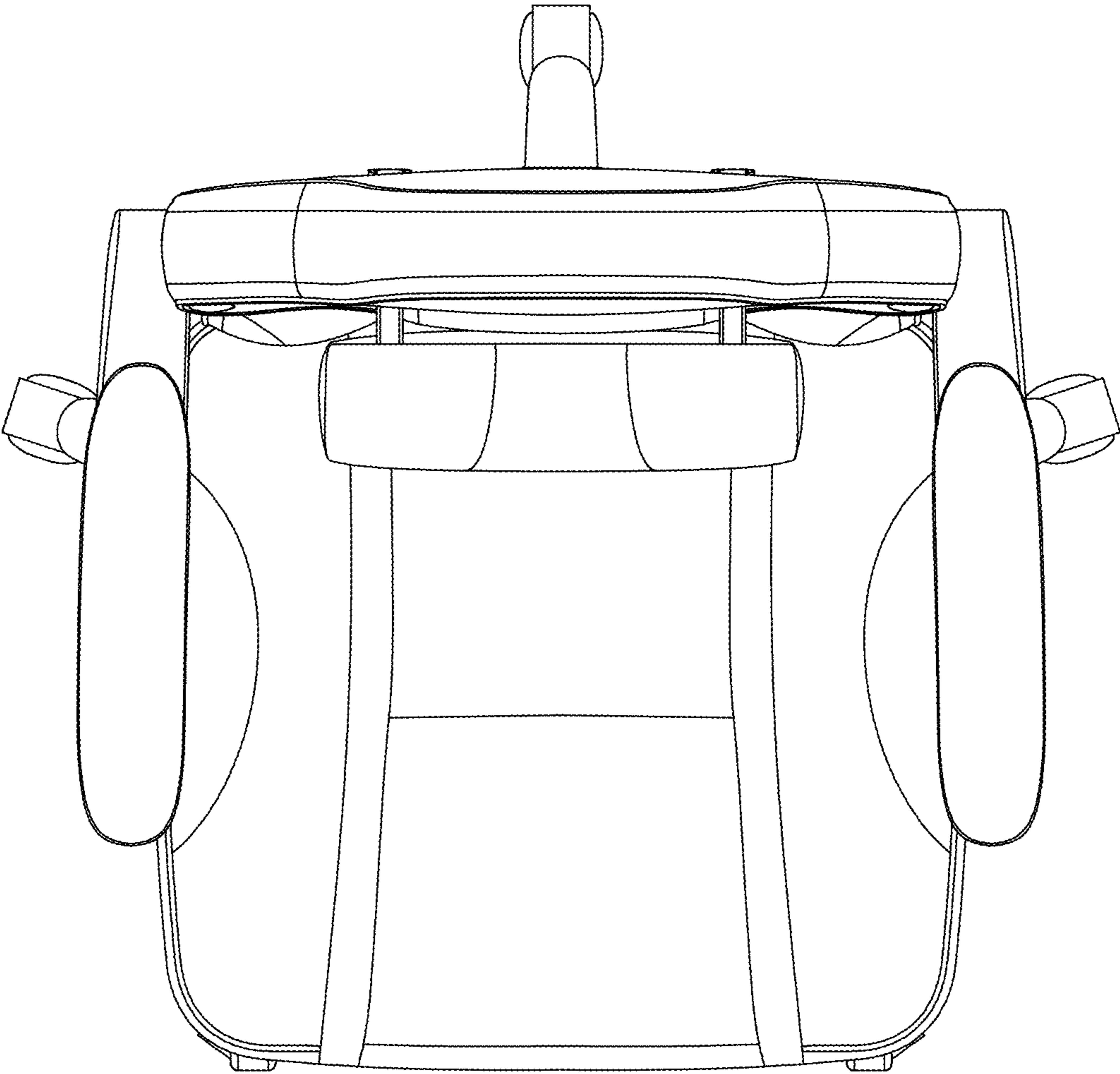


FIG. 7

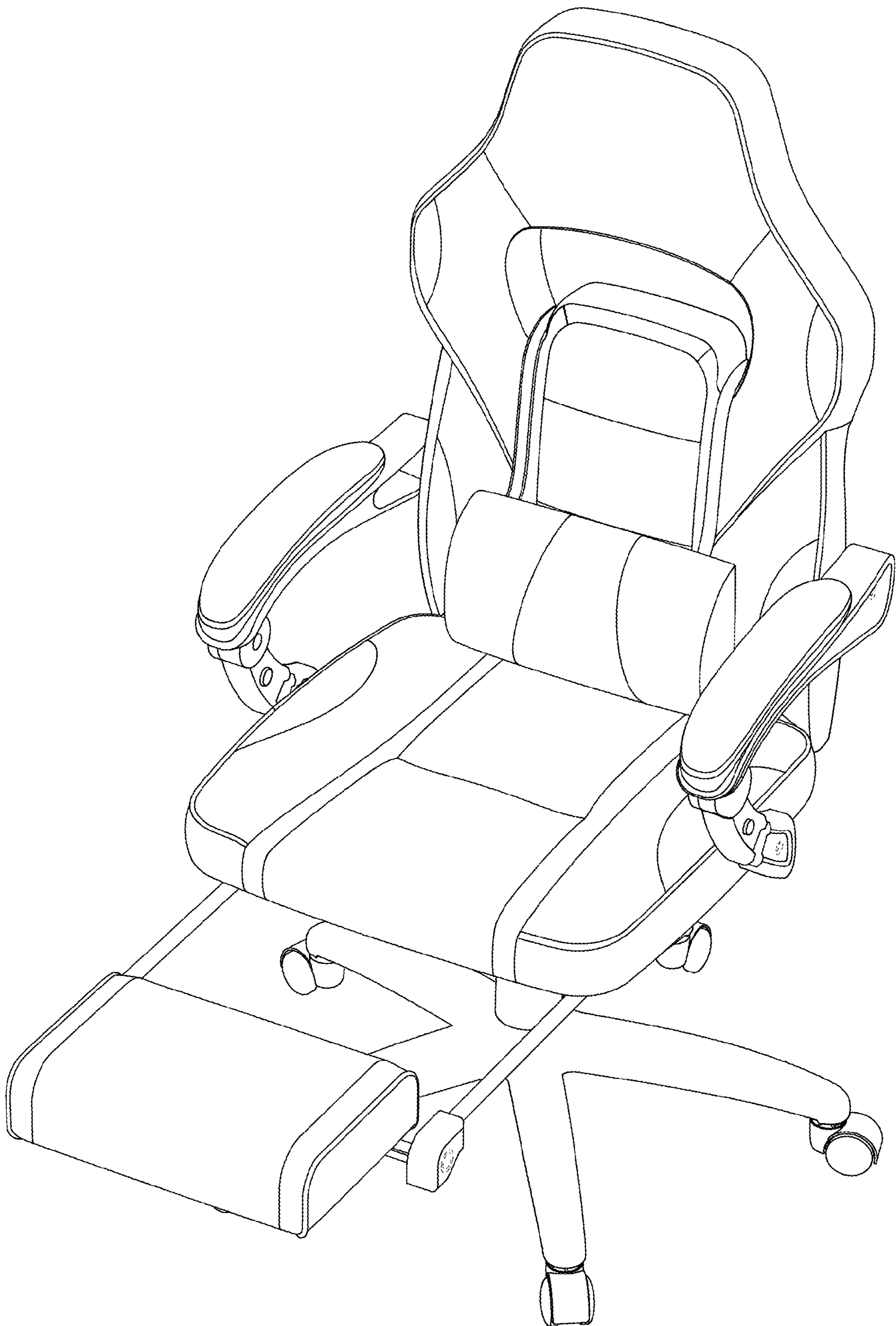


FIG. 8