

US00D878779S

(12) **United States Design Patent**  
**Carter et al.**

(10) **Patent No.:** **US D878,779 S**  
(45) **Date of Patent:** **\*\* Mar. 24, 2020**

- (54) **CAR SEAT COVER**
- (71) Applicant: **Skip Hop, Inc.**, New York, NY (US)
- (72) Inventors: **Chelsea Carter**, Jersey City, NJ (US);  
**Sierra Seip**, New York, NY (US); **Ellen Diamant**, New York, NY (US)
- (73) Assignee: **SKIP HOP, INC.**, New York, NY (US)
- (\*\*) Term: **15 Years**
- (21) Appl. No.: **29/636,647**
- (22) Filed: **Feb. 9, 2018**

D338,129 S *	8/1993	Miller	.....	D6/610
5,549,354 A *	8/1996	Rosen	.....	A47D 15/00 297/184.11
5,730,490 A *	3/1998	Mortenson	.....	A47D 13/02 297/184.11
D426,091 S *	6/2000	White	.....	D6/333
D433,851 S *	11/2000	Roh	.....	D6/333
6,209,953 B1 *	4/2001	Mackay	.....	B60N 2/28 297/184.1
D462,182 S *	9/2002	Brewer	.....	D6/333
6,481,791 B1 *	11/2002	Facchini	.....	A47D 13/02 297/184.1
D509,699 S *	9/2005	Reamer	.....	D6/611

(Continued)

*Primary Examiner* — Kevin K Rudzinski  
*Assistant Examiner* — Clare Ann Gannon  
(74) *Attorney, Agent, or Firm* — Stephen J. Weyer, Esq.;  
Sites & Harbison, PLLC

**Related U.S. Application Data**

- (63) Continuation of application No. 29/635,941, filed on Feb. 5, 2018, now abandoned.
- (51) **LOC (12) Cl.** ..... **06-13**
- (52) **U.S. Cl.**  
USPC ..... **D6/333; D6/611**
- (58) **Field of Classification Search**  
USPC ..... D6/601–603, 606, 608, 610–612, 617;  
D14/239, 450; D12/401, 416, 425  
CPC ..... A47C 27/001; A47C 27/002; A47C 31/10;  
A47C 31/105; A47C 31/11; A47C 31/113;  
A47C 31/116; A47C 4/28; A47C 7/02;  
A47C 7/021; A47C 7/022; A47C 7/386;  
A47C 7/42; A47C 7/68; B60N 2/60;  
B60N 2/58; B60N 2/585; B60N 2/6009  
See application file for complete search history.

(57) **CLAIM**

The ornamental design for a car seat cover, as shown and described.

**DESCRIPTION**

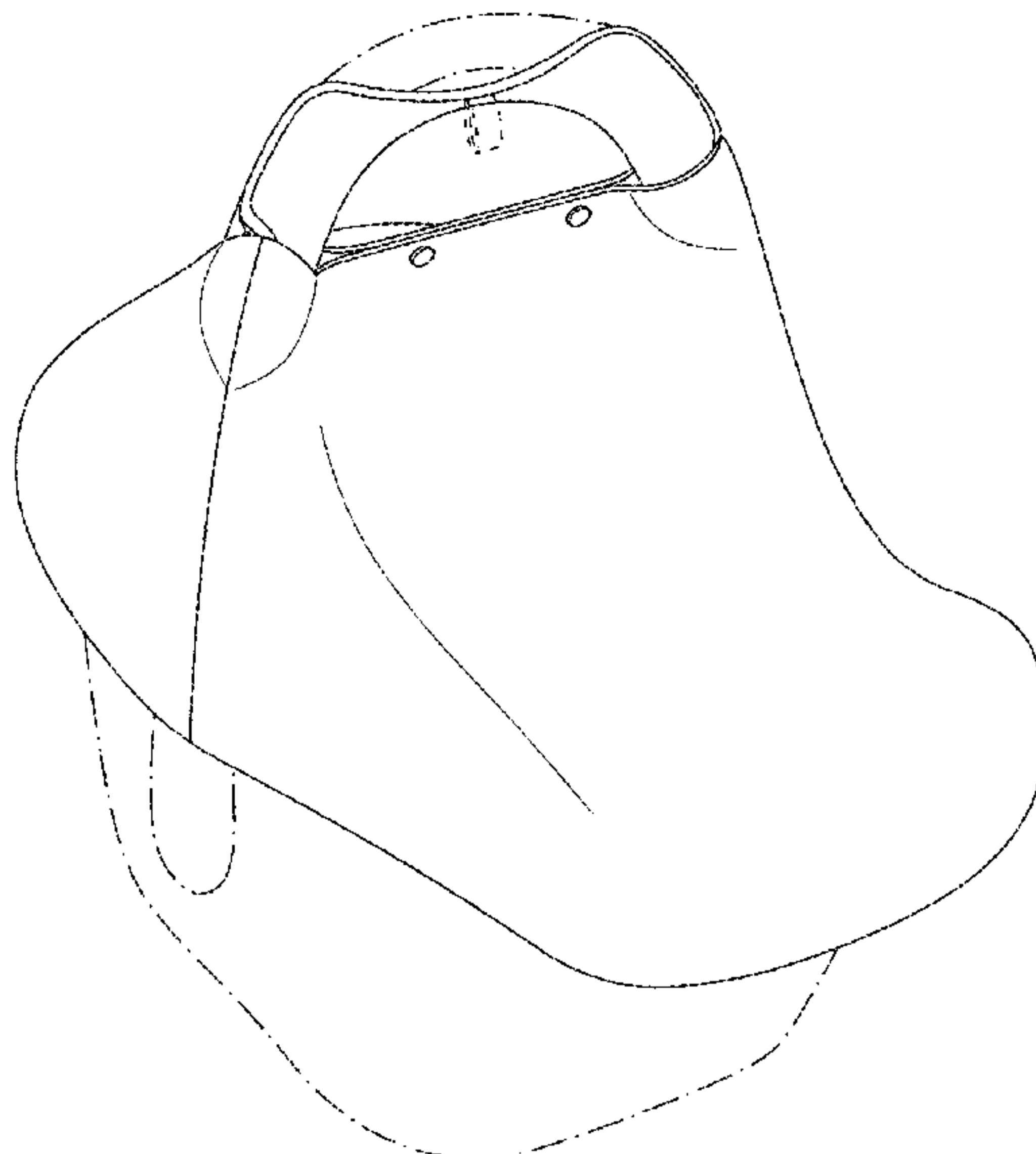
This application relates to the Car Seat Arm Pad design patent application U.S. Ser. No. 29/635,951 which issued as U.S. Design Pat. No.: D853,738 and herein incorporated by reference.  
FIG. 1 is a perspective view of the car seat cover, shown in a position of use on a car seat, in accordance with the present design.  
FIG. 2 is a front elevation view thereof.  
FIG. 3 is a rear elevation view thereof.  
FIG. 4 is a left side elevation view thereof.  
FIG. 5 is a right side elevation view thereof; and,  
FIG. 6 is a top plan view thereof.  
The dash-dot-dash broken lines shown illustrate environmental structures and form no part of the claimed design. The dash-dash broken lines illustrate portions of the car seat cover that form no part of the claimed design.

(56) **References Cited**

**U.S. PATENT DOCUMENTS**

D313,912 S *	1/1991	Kosciusko	.....	D2/876
4,997,231 A *	3/1991	Smith	.....	A47D 15/00 297/183.2
5,074,616 A *	12/1991	Smith	.....	A47C 7/66 297/184.13

**1 Claim, 6 Drawing Sheets**



(56)

**References Cited**

U.S. PATENT DOCUMENTS

D546,108 S \* 7/2007 Heiman-Philpott ..... D6/611  
D559,022 S \* 1/2008 Morales Cabello ..... D6/611  
D601,845 S \* 10/2009 Pierce ..... D6/611  
D671,785 S \* 12/2012 Ouellette ..... A47D 15/00  
D673,784 S \* 1/2013 Lang ..... A47D 15/00  
D675,468 S \* 2/2013 James ..... A47D 13/02  
D691,834 S \* 10/2013 Bourgoin ..... A47D 13/02  
D691,835 S \* 10/2013 Tyler ..... B60N 2/28  
8,550,548 B2 \* 10/2013 Gibbons ..... B62B 9/142  
D694,169 S \* 11/2013 Fontanilla ..... D12/401  
D696,053 S \* 12/2013 Lang ..... A47D 15/00  
9,049,946 B1 \* 6/2015 Tyler ..... A47D 15/00  
2014/0021751 A1 \* 1/2014 Lang ..... A47D 15/00  
2015/0183352 A1 \* 7/2015 Bowe ..... A47D 15/00

\* cited by examiner

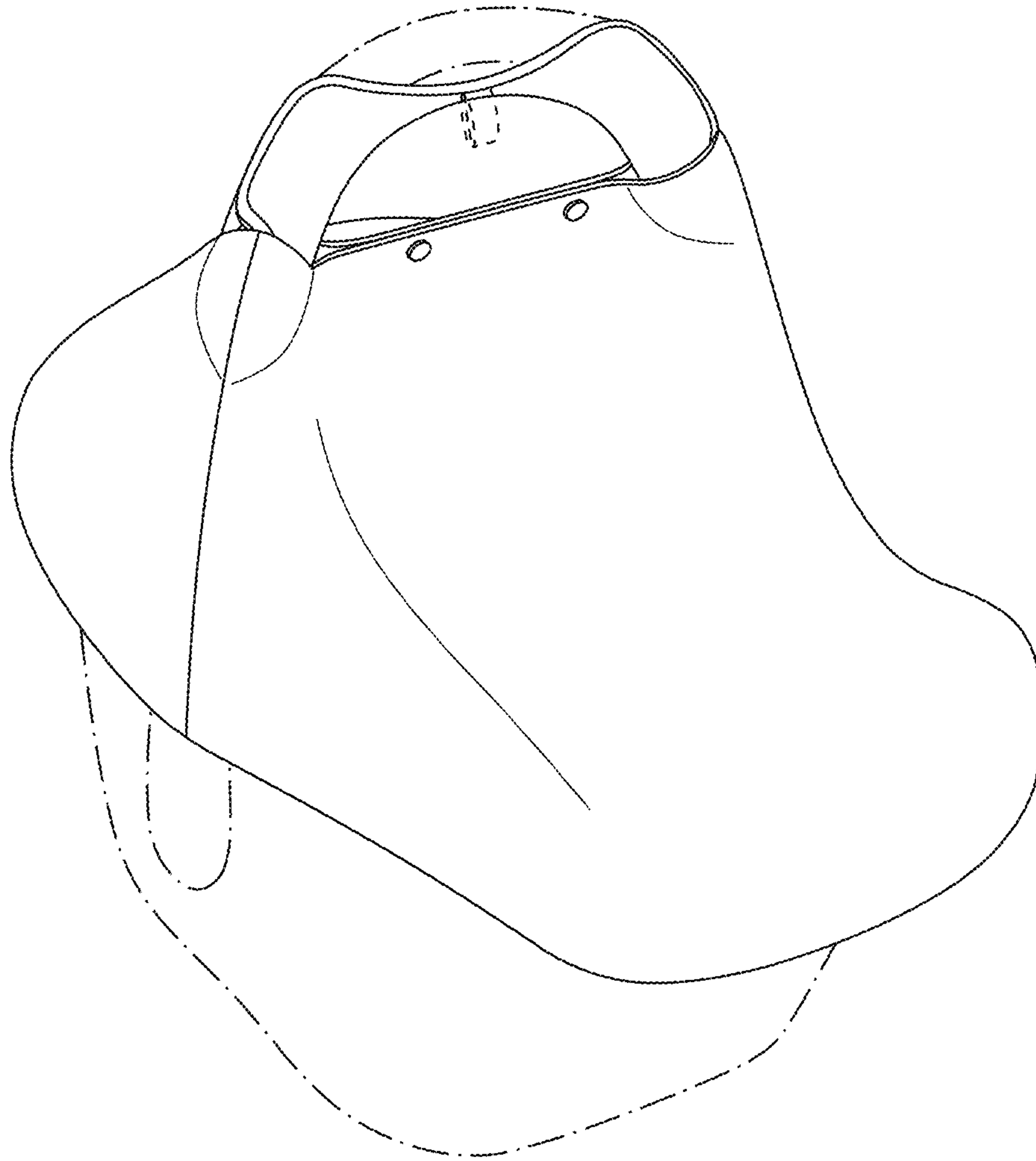


FIG. 1

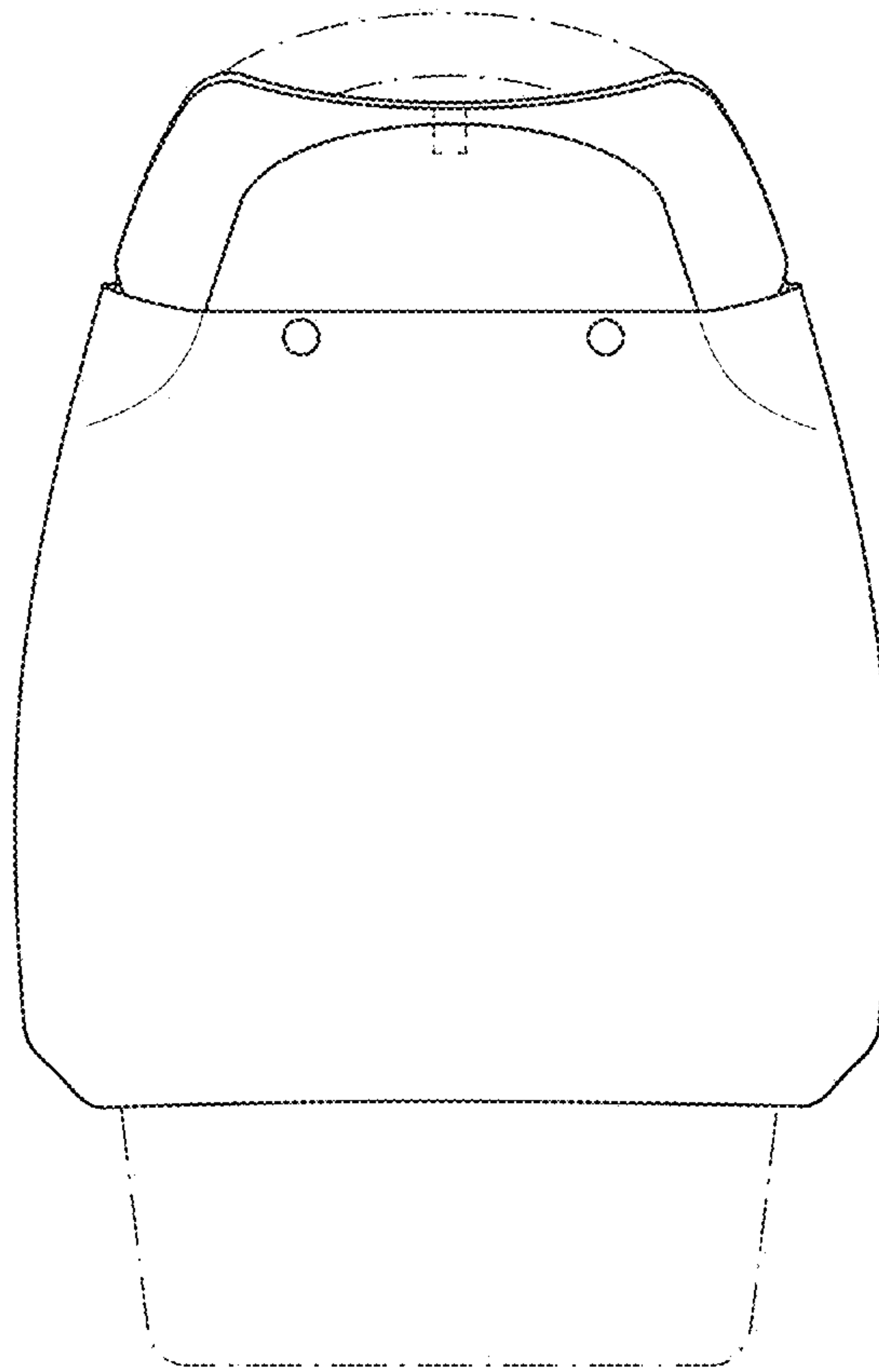


FIG. 2

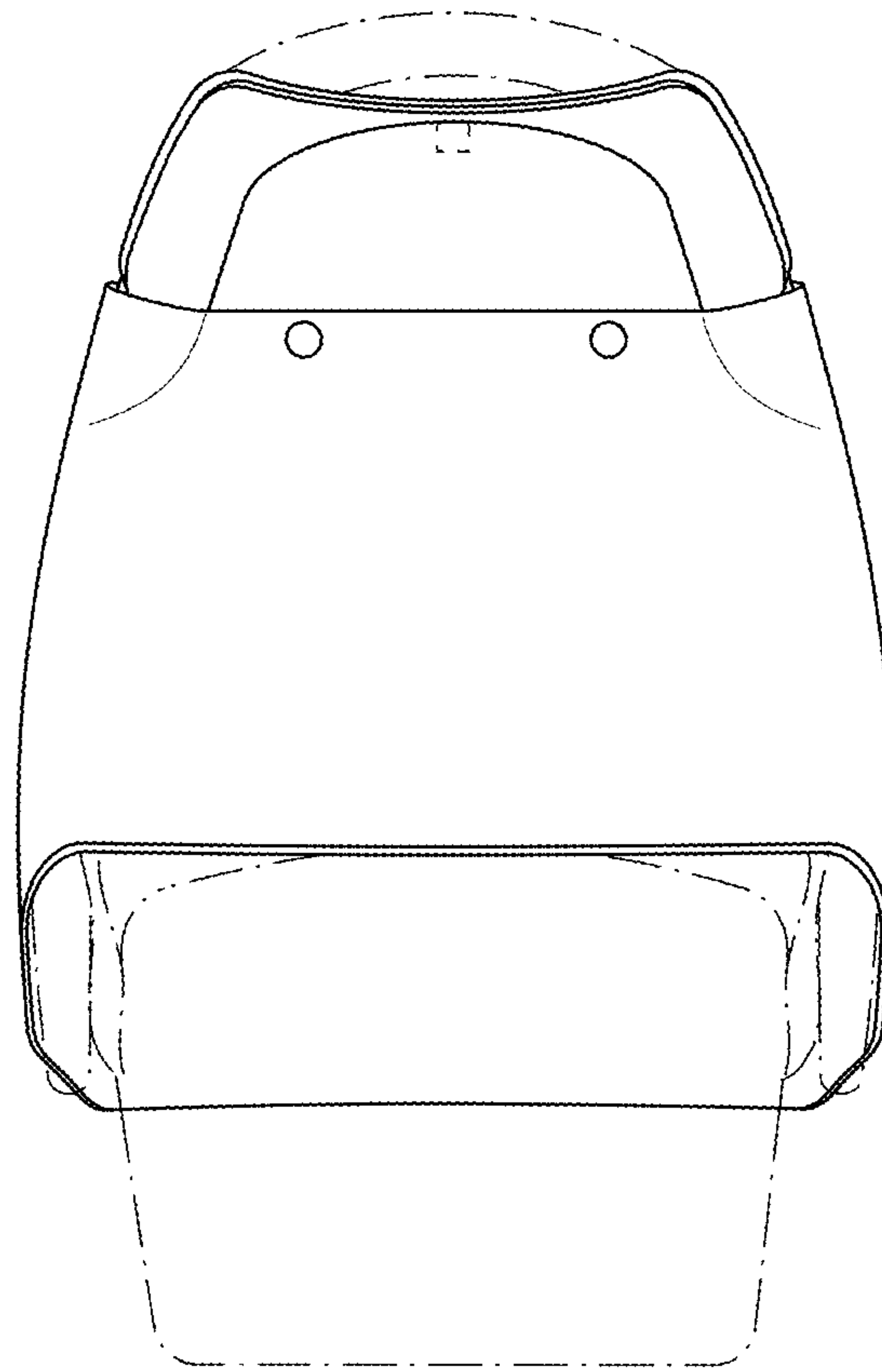


FIG. 3

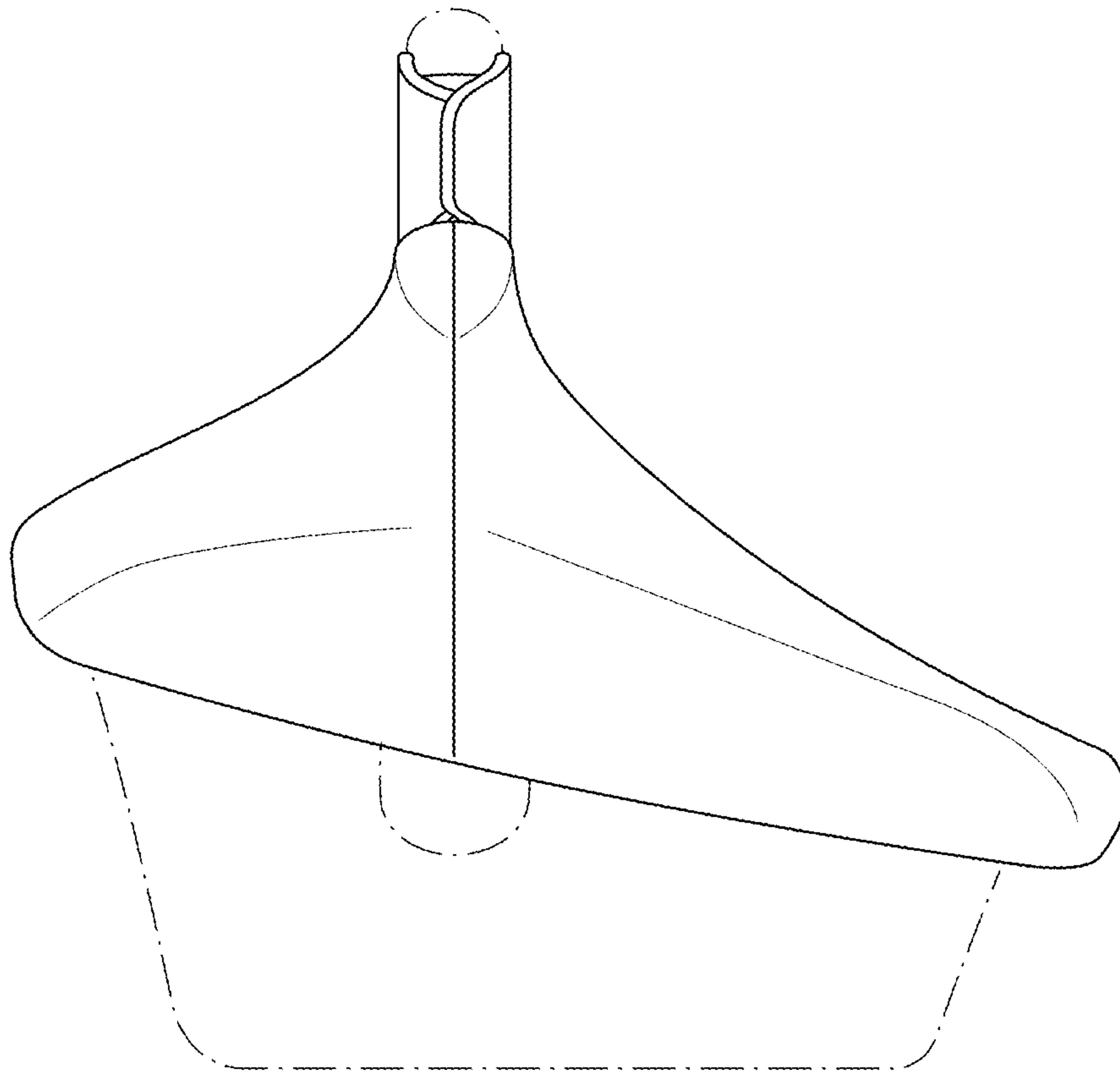


FIG. 4

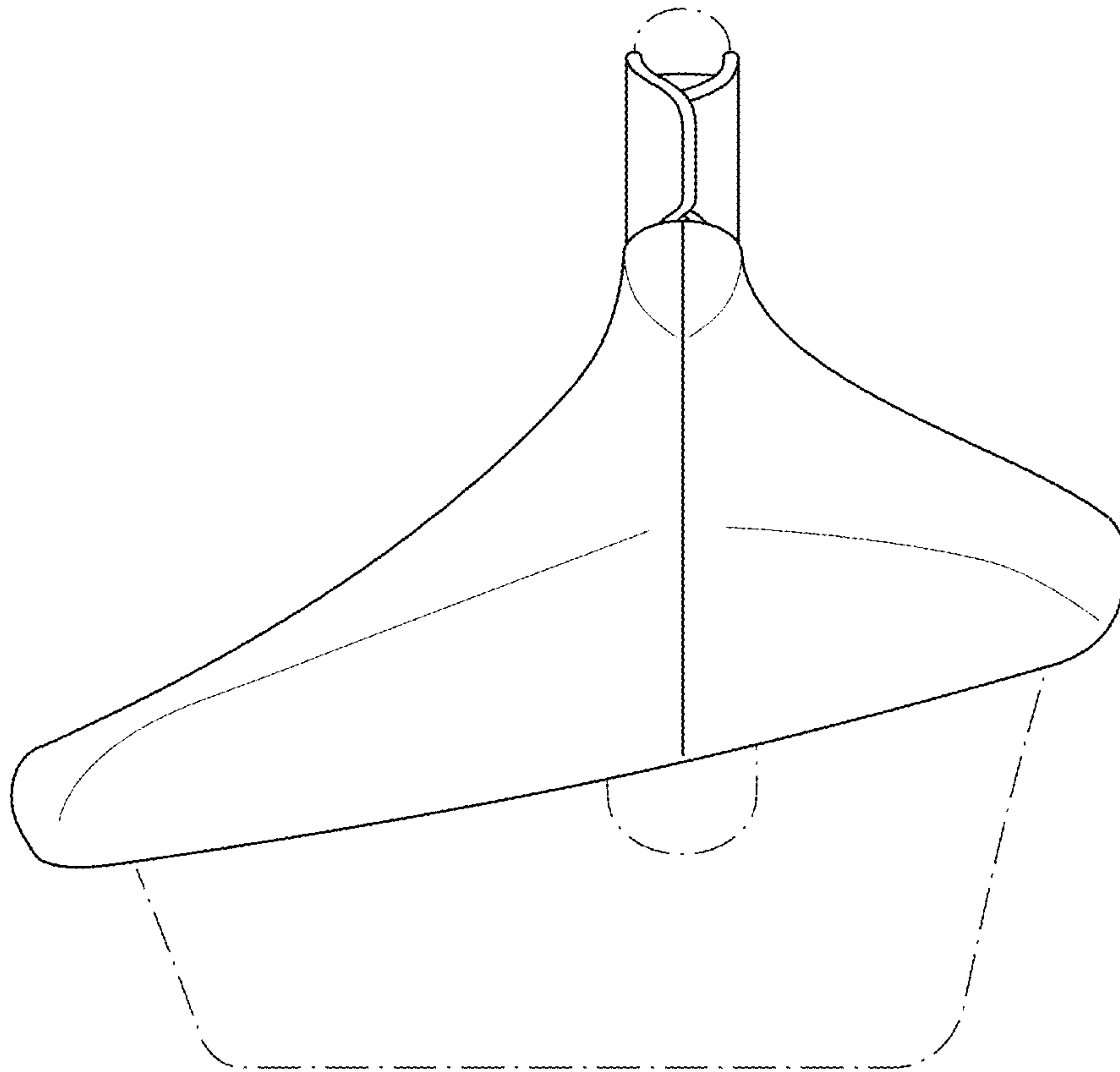


FIG. 5

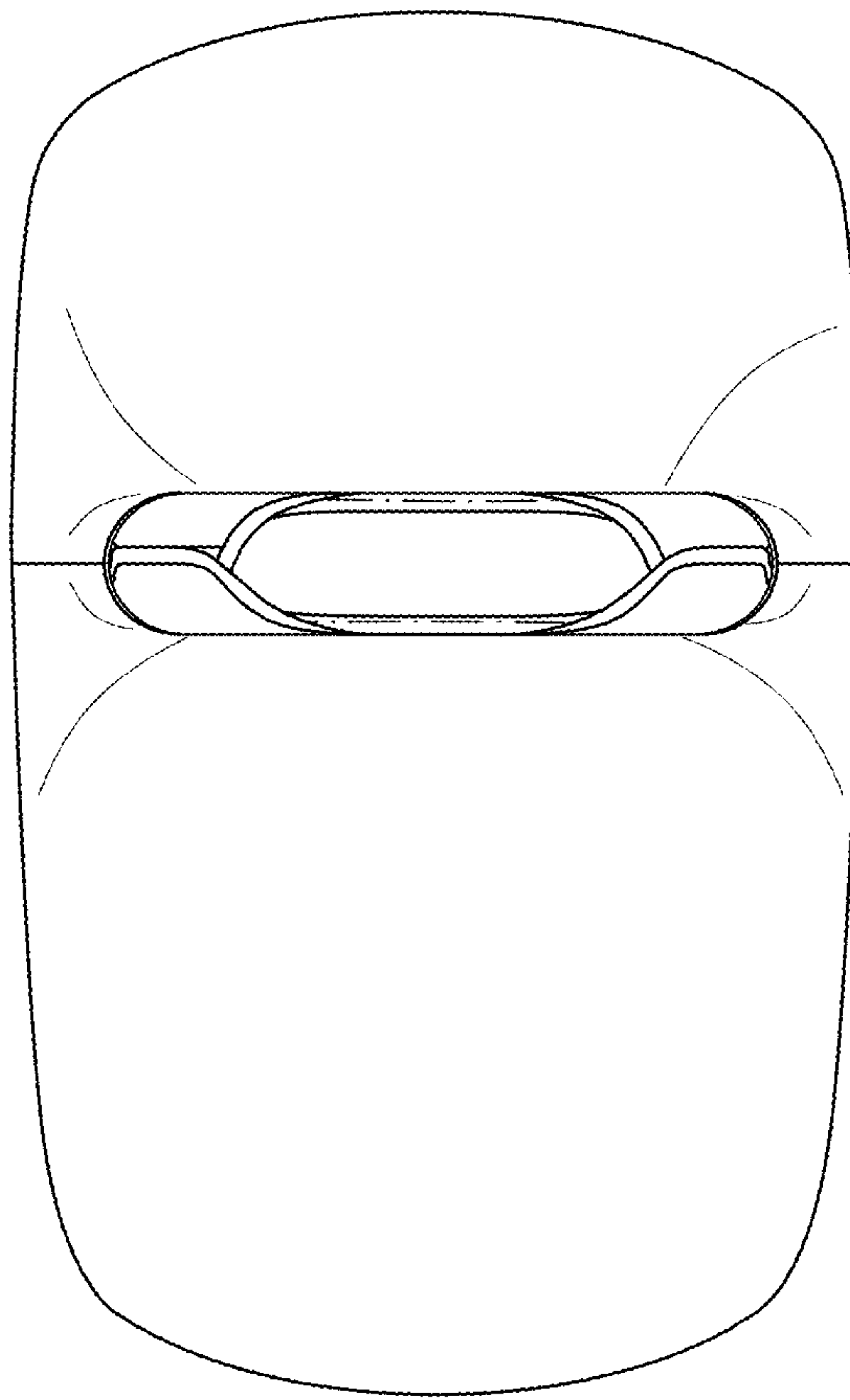


FIG. 6