



US00D878778S

(12) **United States Design Patent**
Liang

(10) **Patent No.:** **US D878,778 S**

(45) **Date of Patent:** **** *Mar. 24, 2020**

(54) **FOLDABLE INFANT CHAIR**

(71) Applicant: **Zhengxuan Liang**, Flushing, KS (US)

(72) Inventor: **Zhengxuan Liang**, Flushing, KS (US)

(*) Notice: This patent is subject to a terminal disclaimer.

(**) Term: **15 Years**

(21) Appl. No.: **29/628,493**

(22) Filed: **Dec. 5, 2017**

(51) **LOC (12) Cl.** **06-01**

(52) **U.S. Cl.**
USPC **D6/333**

(58) **Field of Classification Search**
USPC D6/333-336, 339-341, 344, 381, 491,
D6/500-502; 297/250.1, 255, 256.15,
297/183.1-183.4, 184.15, 184.17, 256.16;
D12/129-130, 133; 5/94, 98.2, 103-104,
5/655, 655.3; D21/419; 280/30-31
CPC A47C 4/54; A47C 4/40; A47C 4/42; A47C
4/48; A47C 7/021; A47C 7/022; A47C
31/11; A47C 5/06; A47C 5/10

See application file for complete search history.

(56) **References Cited**

U.S. PATENT DOCUMENTS

| | | | | | |
|------------|---|---------|-------|-------|--------|
| D746,071 S | * | 12/2015 | Haley | | D6/333 |
| D752,890 S | * | 4/2016 | Akkad | | D6/368 |
| D772,587 S | * | 11/2016 | Micol | | D6/333 |
| D802,954 S | * | 11/2017 | Lin | | D6/368 |
| D817,014 S | * | 5/2018 | Zhu | | D6/368 |

* cited by examiner

Primary Examiner — Abraham Bahta

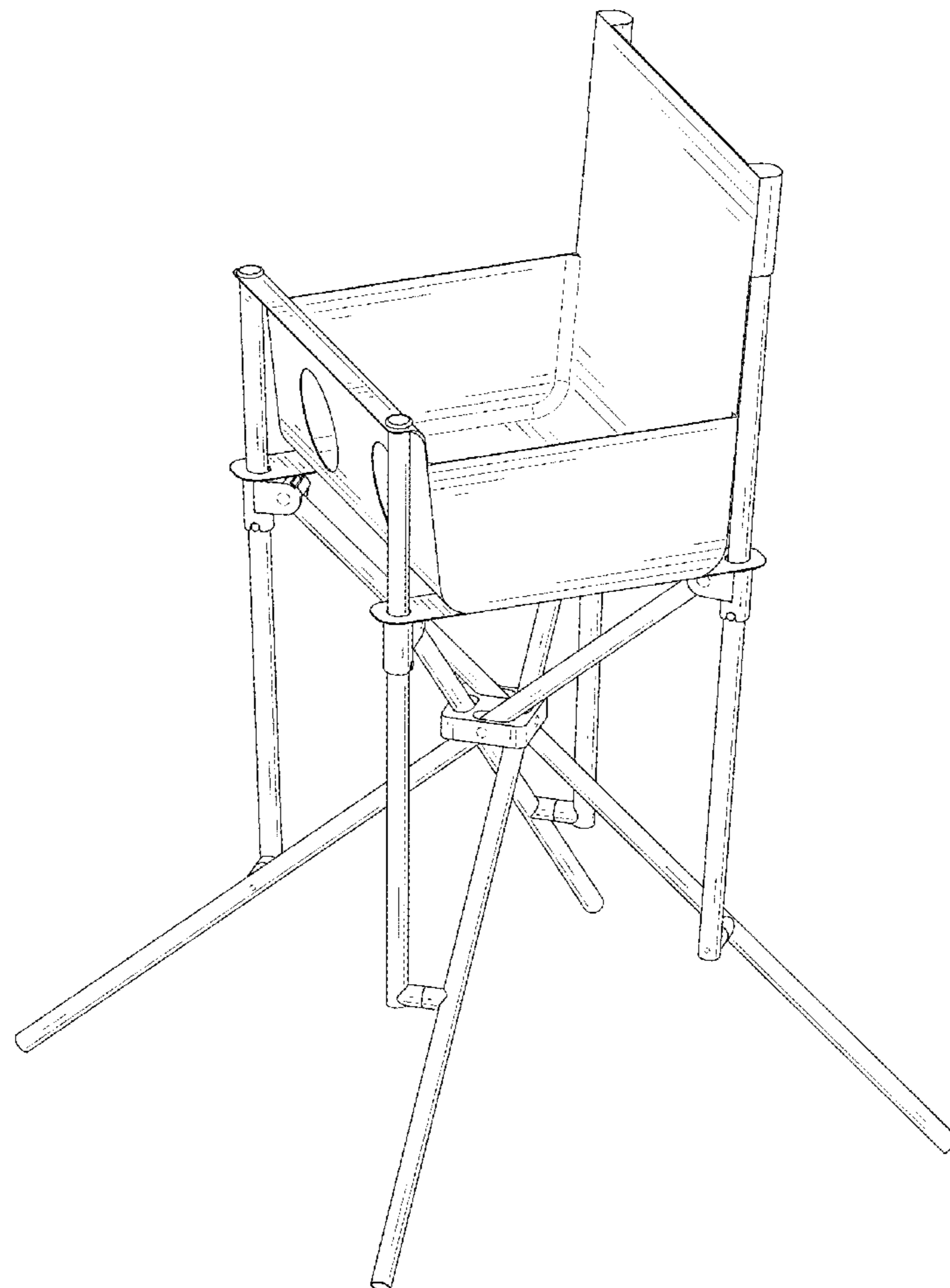
(57) **CLAIM**

The ornamental design for a foldable infant chair, as shown and described.

DESCRIPTION

FIG. 1 is a perspective view of a foldable infant chair showing my new design;
FIG. 2 is a front elevational view thereof;
FIG. 3 is a left side elevational view thereof;
FIG. 4 is a right side elevational view thereof;
FIG. 5 is a top plan view thereof; and,
FIG. 6 is a bottom plan view thereof.
The broken lines depict environment that form no part of the claimed design.

1 Claim, 6 Drawing Sheets



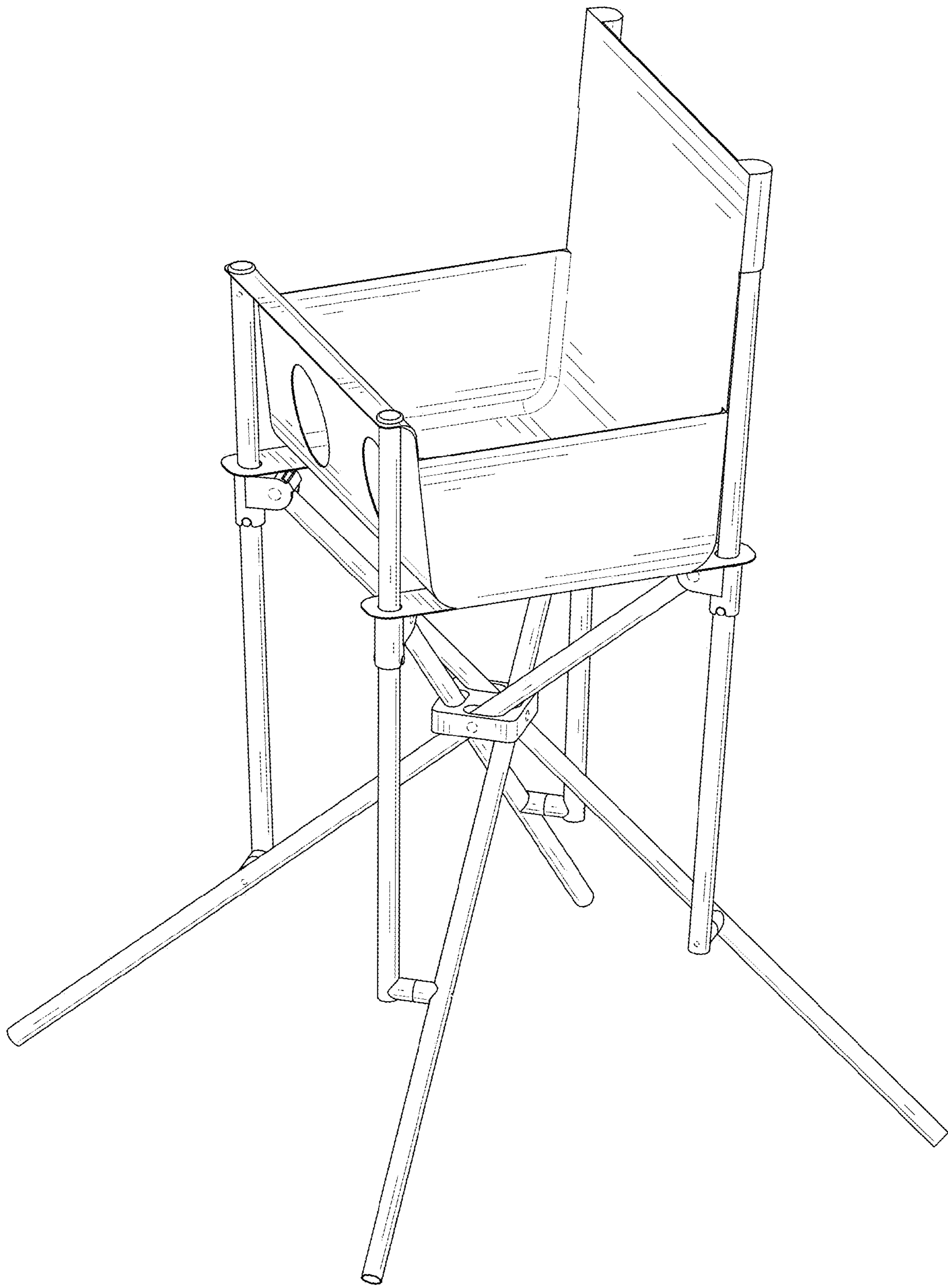


FIG. 1

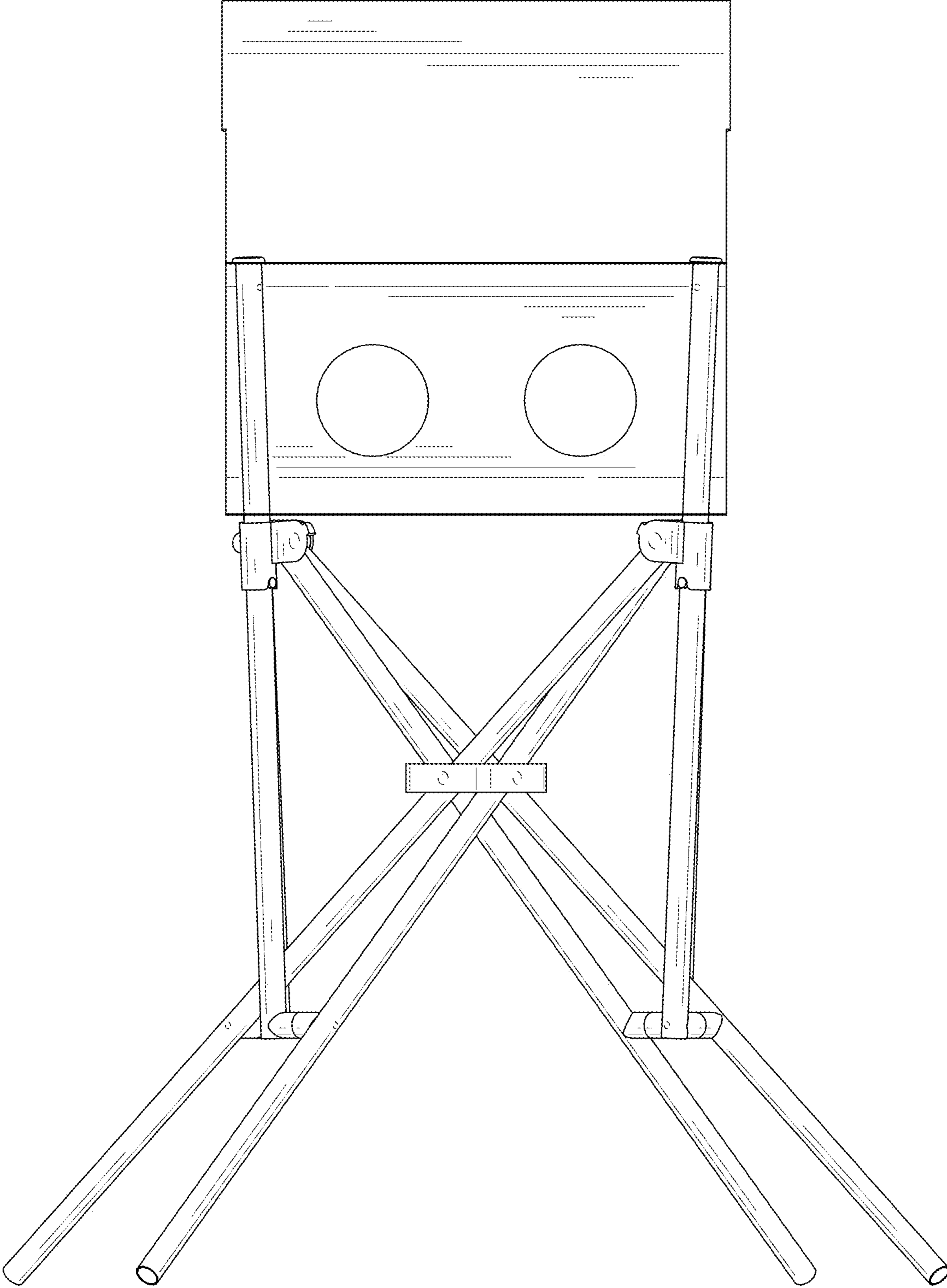


FIG. 2

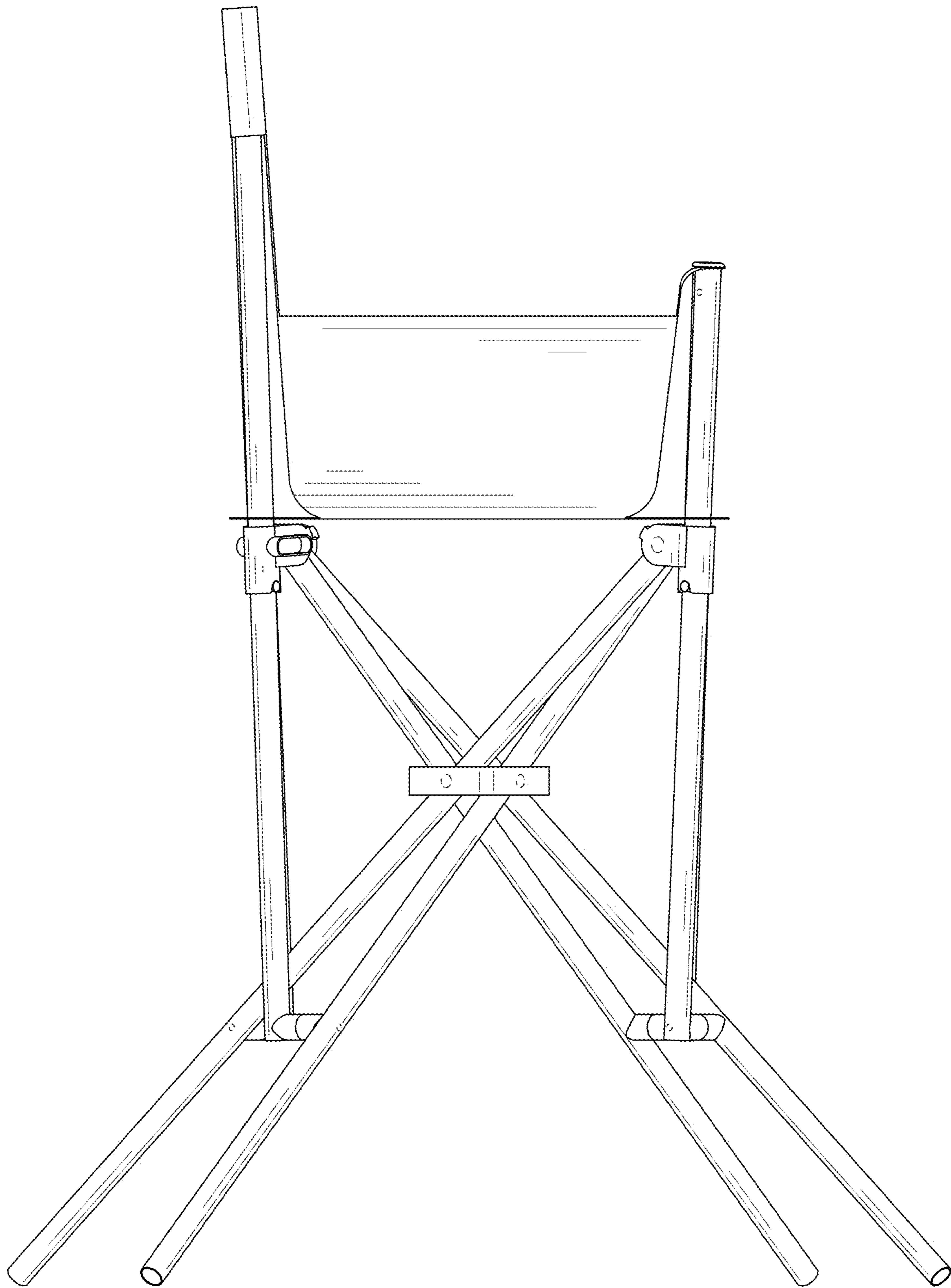


FIG. 3

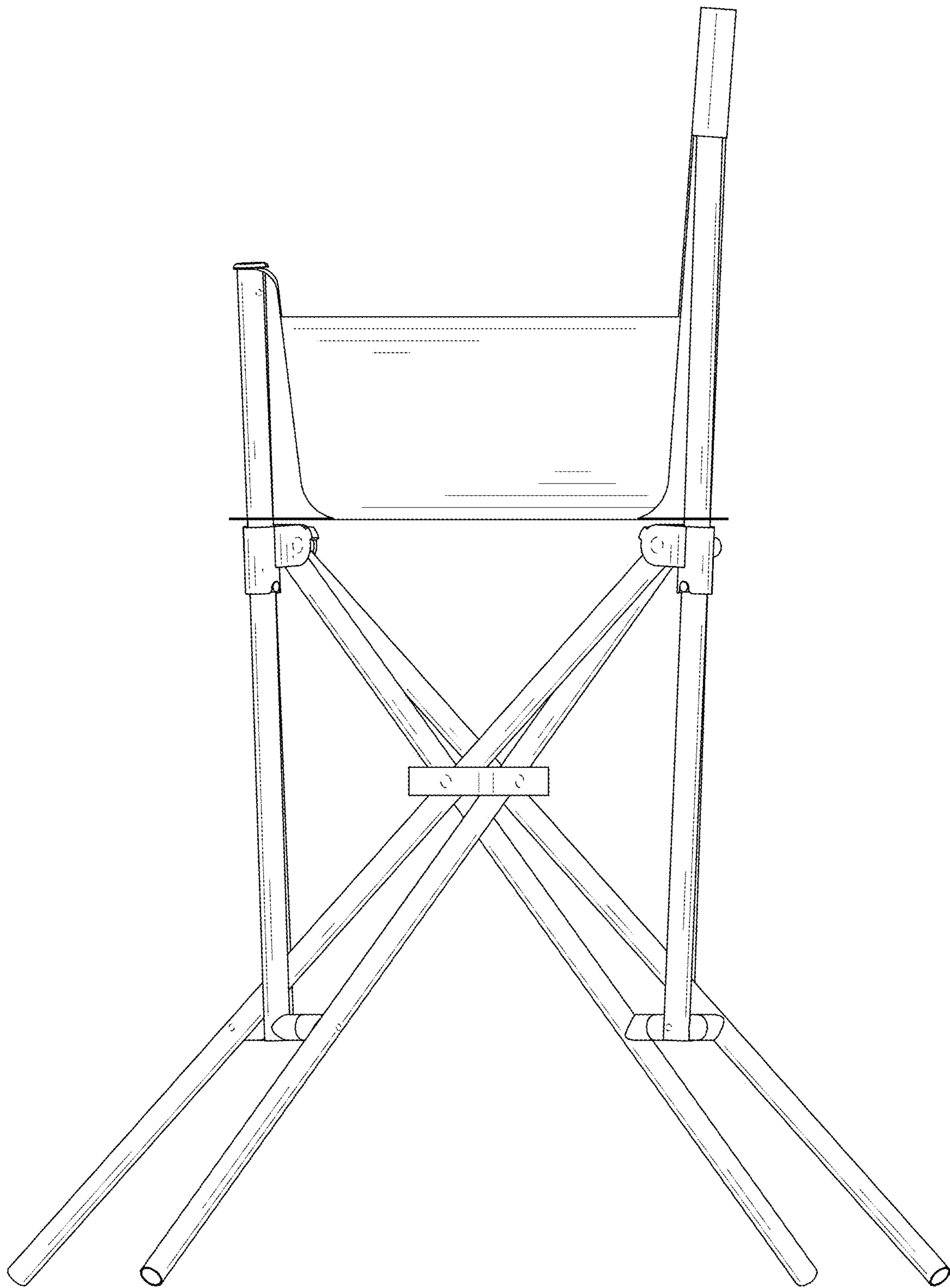


FIG. 4

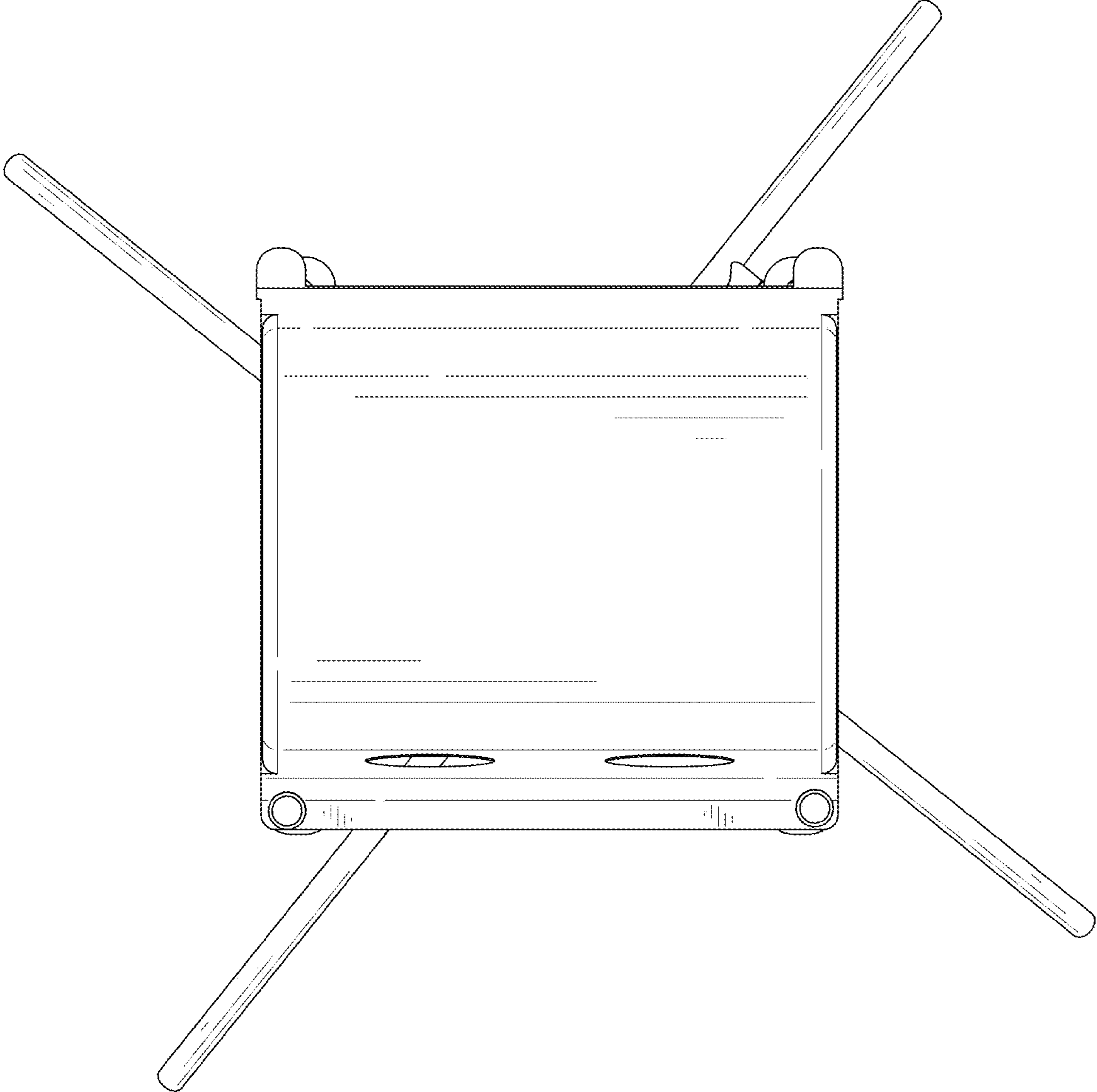


FIG. 5

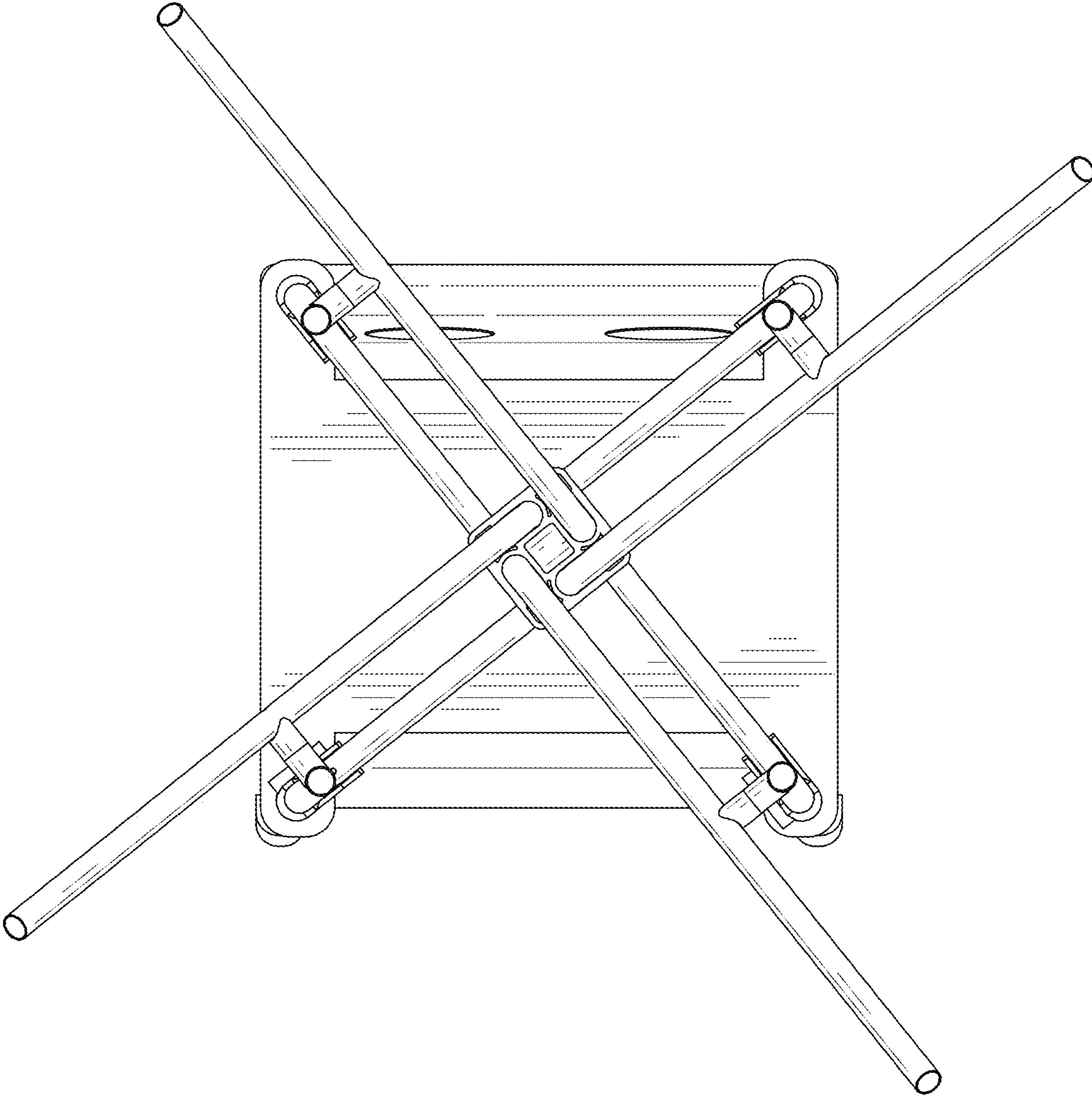


FIG. 6