



US00D878777S

(12) **United States Design Patent**
Kaiser et al.

(10) **Patent No.:** **US D878,777 S**
(45) **Date of Patent:** **** Mar. 24, 2020**

(54) **VANITY MIRROR**

(71) Applicant: **Erik A. Kaiser**, New York, NY (US)

(72) Inventors: **Erik A. Kaiser**, Mendham, NJ (US);
Joshua David Kran, Astoria, NY (US)

(**) Term: **15 Years**

(21) Appl. No.: **29/671,060**

(22) Filed: **Nov. 21, 2018**

(51) **LOC (12) Cl.** **06-06**

(52) **U.S. Cl.**

USPC **D6/309**; D6/310; D6/303

(58) **Field of Classification Search**

USPC D6/300–314

CPC A47G 1/00; A47G 2001/002; A45D 42/10;
F21V 33/004

See application file for complete search history.

(56) **References Cited**

U.S. PATENT DOCUMENTS

D396,560 S *	8/1998	Beatty	D6/303
D425,313 S *	5/2000	Zadro	D6/309
D460,627 S *	7/2002	Bernini	D6/303
D462,181 S *	9/2002	Vandenbussche	D6/310
D645,261 S *	9/2011	Puskas	D6/303
D829,007 S *	9/2018	Choi	D6/310

* cited by examiner

Primary Examiner — Deanna L Pratt

(74) *Attorney, Agent, or Firm* — Steven N. Fox, Esq.

(57) **CLAIM**

The ornamental design for a vanity mirror, as shown and described.

DESCRIPTION

FIG. 1 is a front perspective view of a vanity mirror with a flat mirror according to a first embodiment of the present invention;

FIG. 2 is a front view thereof;

FIG. 3 is a left side view thereof;

FIG. 4 is a right side view thereof;

FIG. 5 is a rear view thereof;

FIG. 6 is a bottom view thereof;

FIG. 7 is a top view thereof;

FIG. 8 is a front perspective view of a vanity mirror with a magnifying mirror according to a second embodiment of the present invention;

FIG. 9 is a front view thereof;

FIG. 10 is a left side view thereof;

FIG. 11 is a right side view thereof;

FIG. 12 is a rear view thereof;

FIG. 13 is a bottom view thereof;

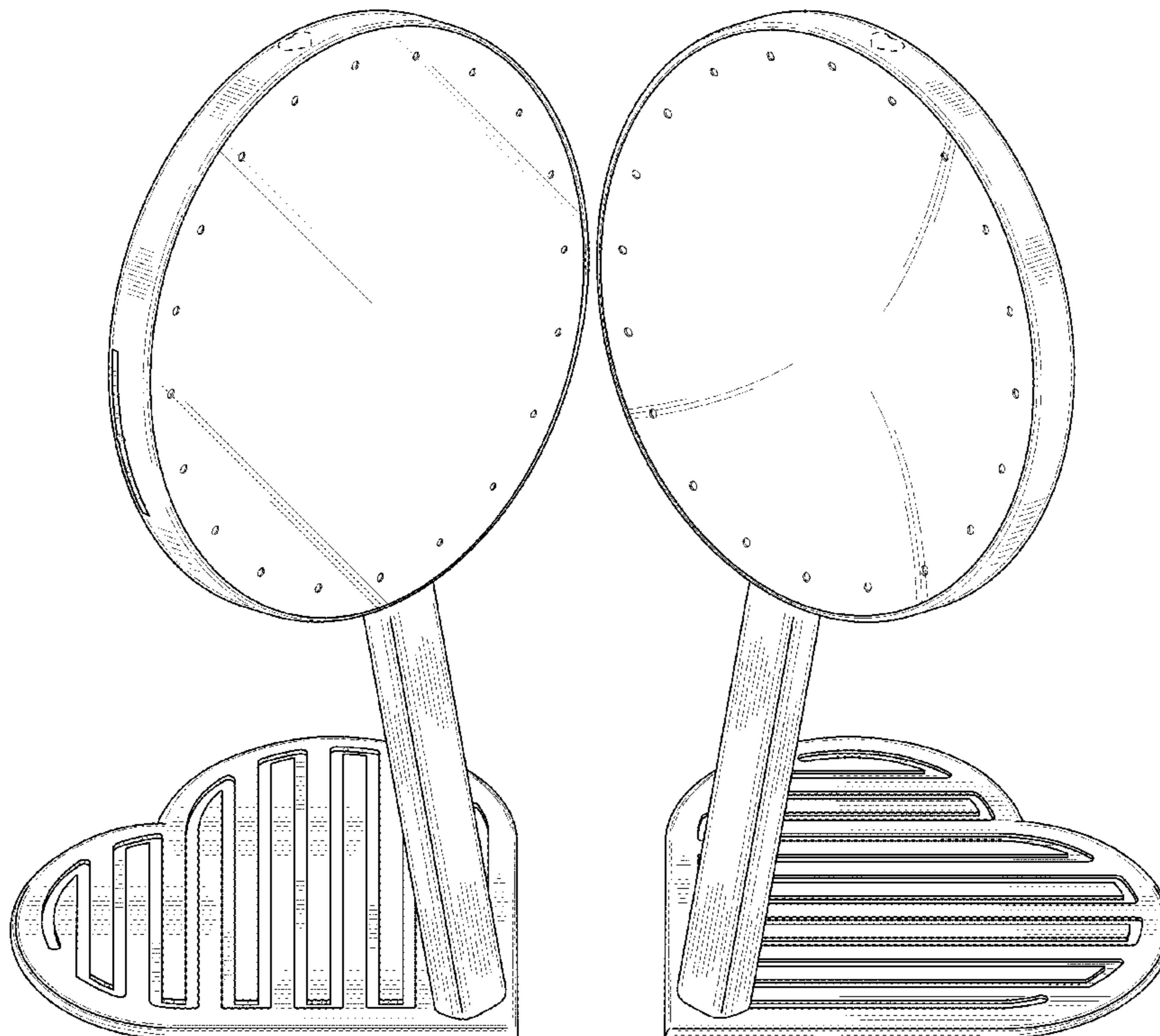
FIG. 14 is a top view thereof;

FIG. 15 is a cross-section view along line 15-15 of FIG. 9 showing the curvature of the magnifying mirror surface; cross-section views thru all other center lines of the mirror surface being the same; and,

FIG. 16 is an enlarged view of section 16-16 of FIG. 15 showing the curvature of the magnifying mirror surface.

The broken lines show environmental structure and form no part of the claimed design.

1 Claim, 15 Drawing Sheets



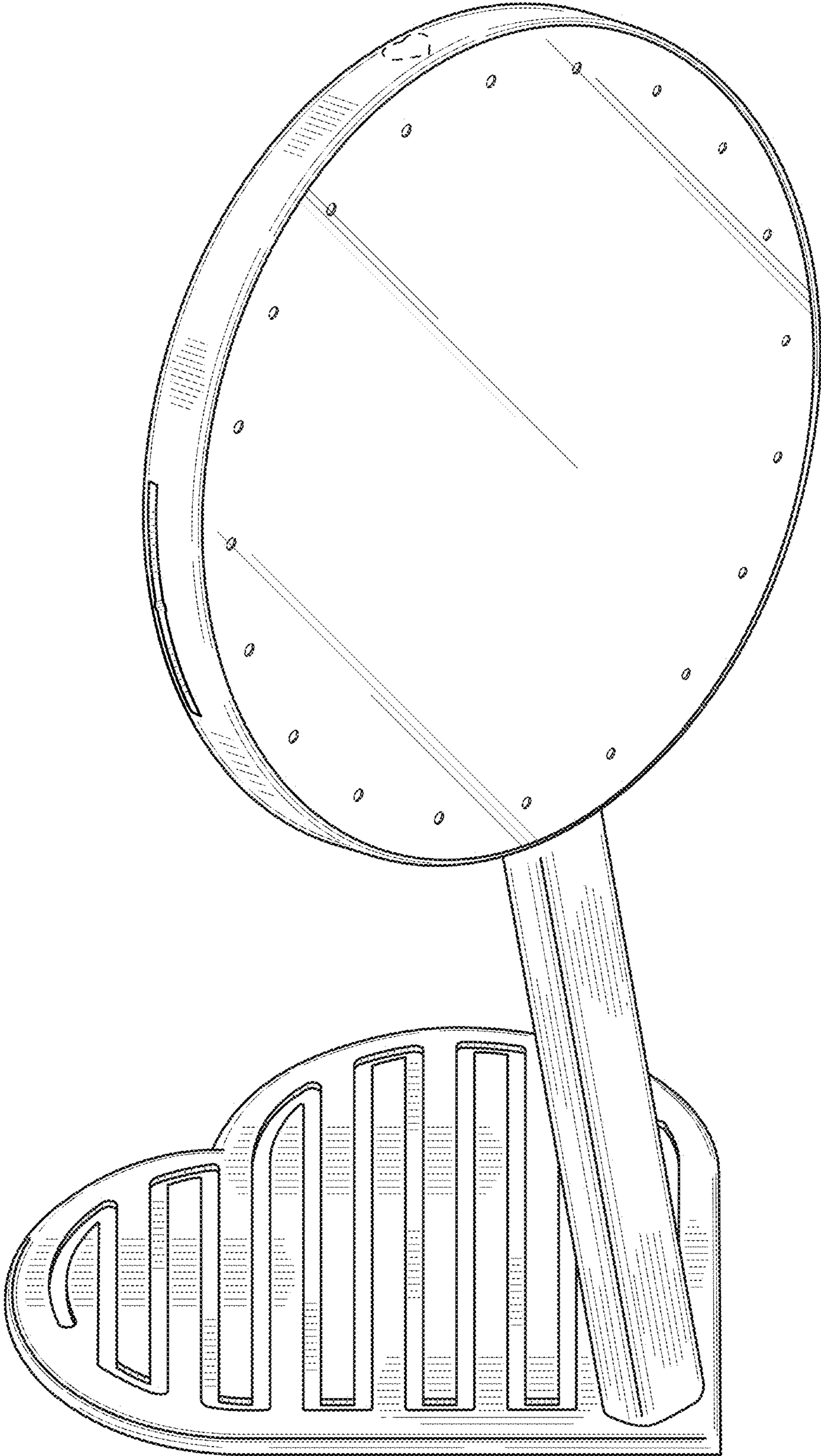


FIG. 1

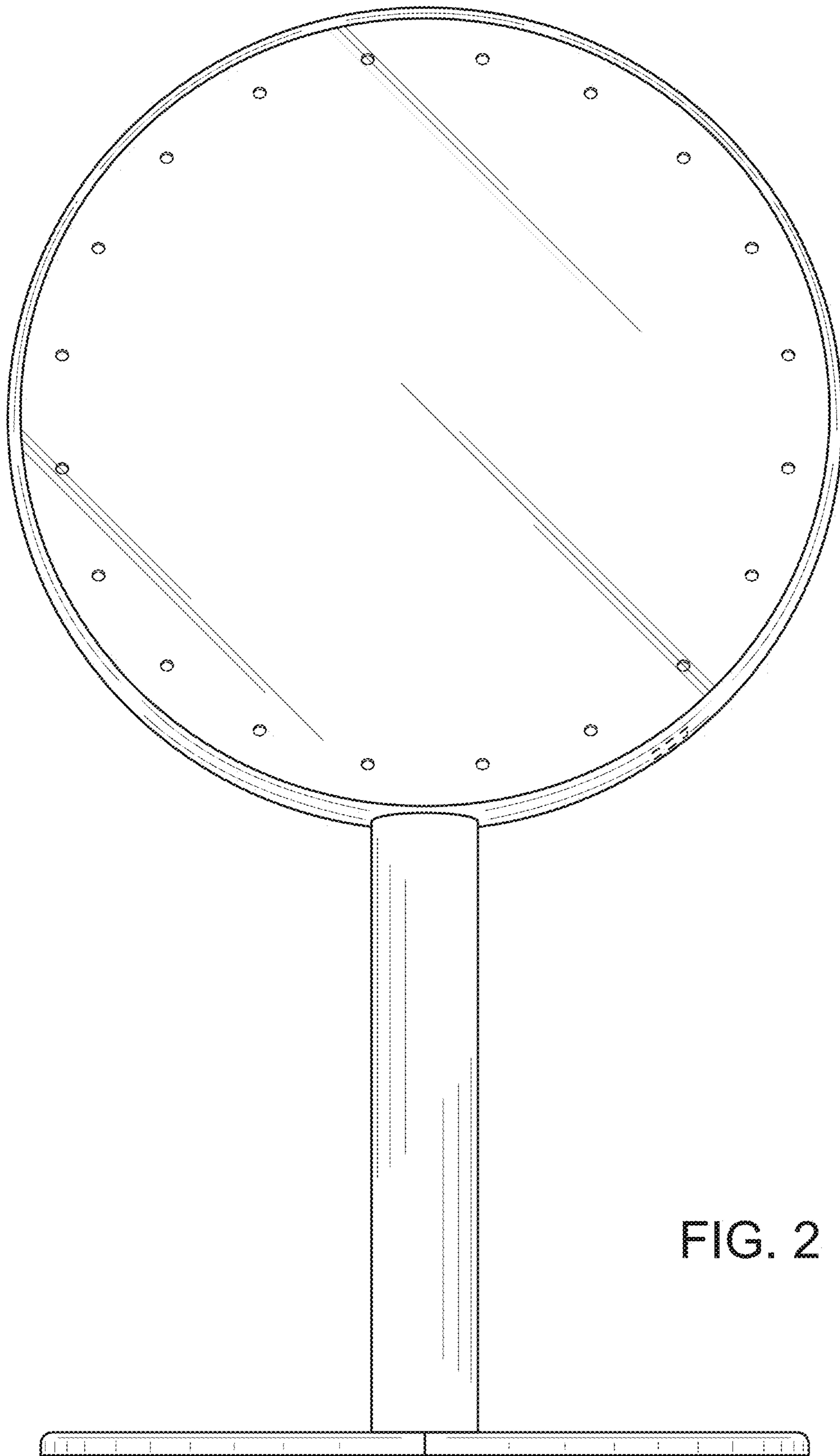


FIG. 2

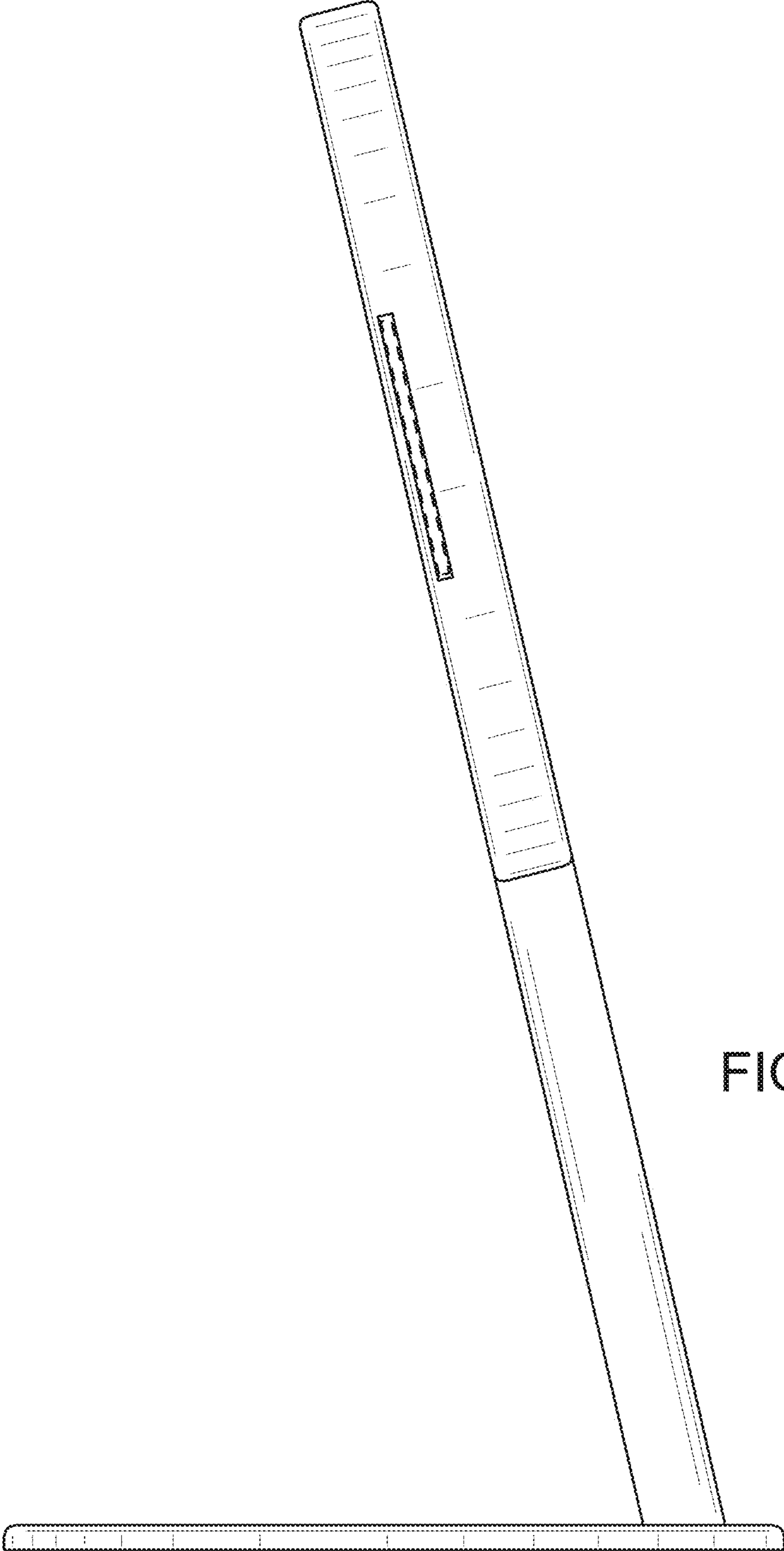
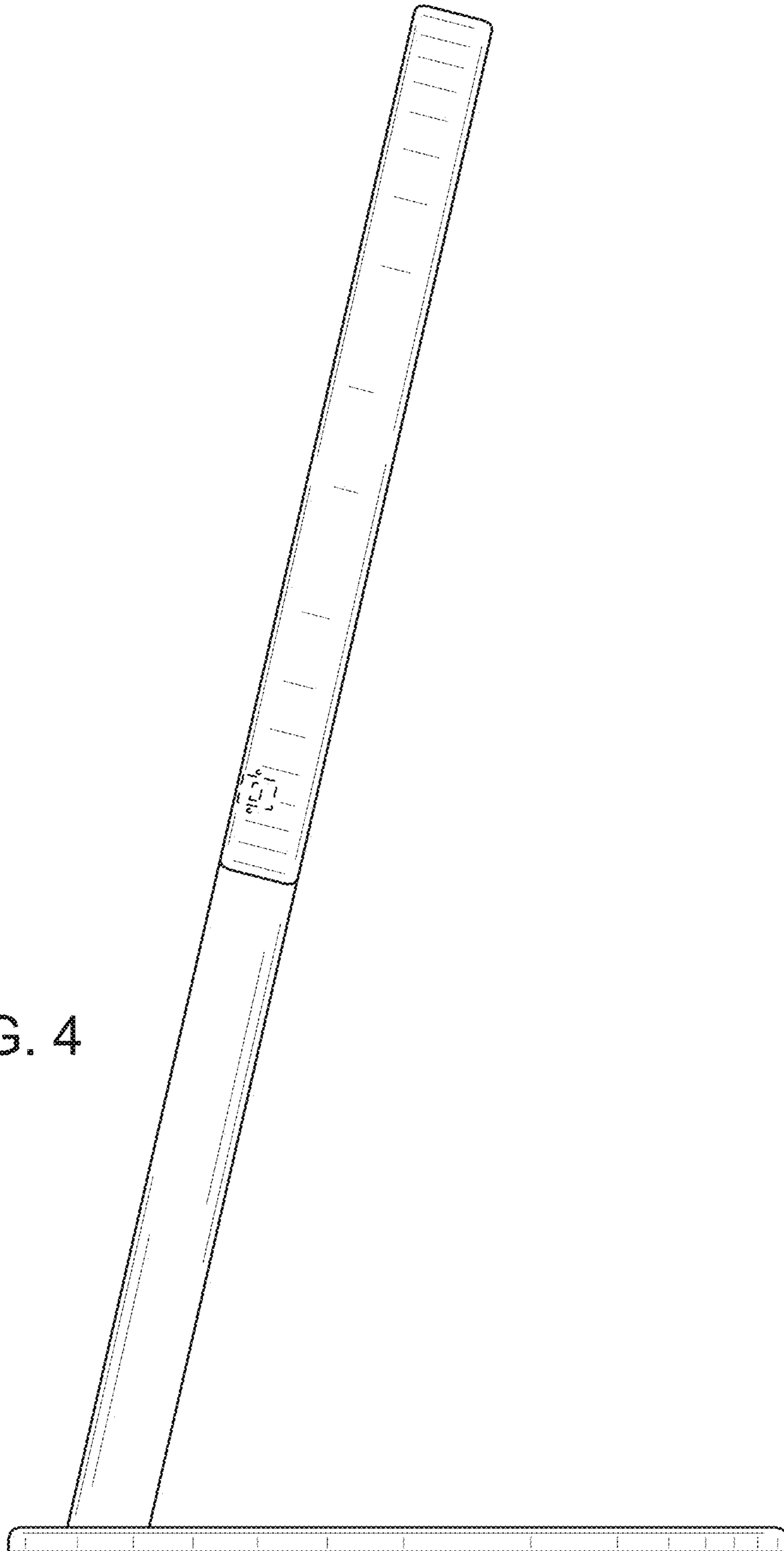


FIG. 3

FIG. 4



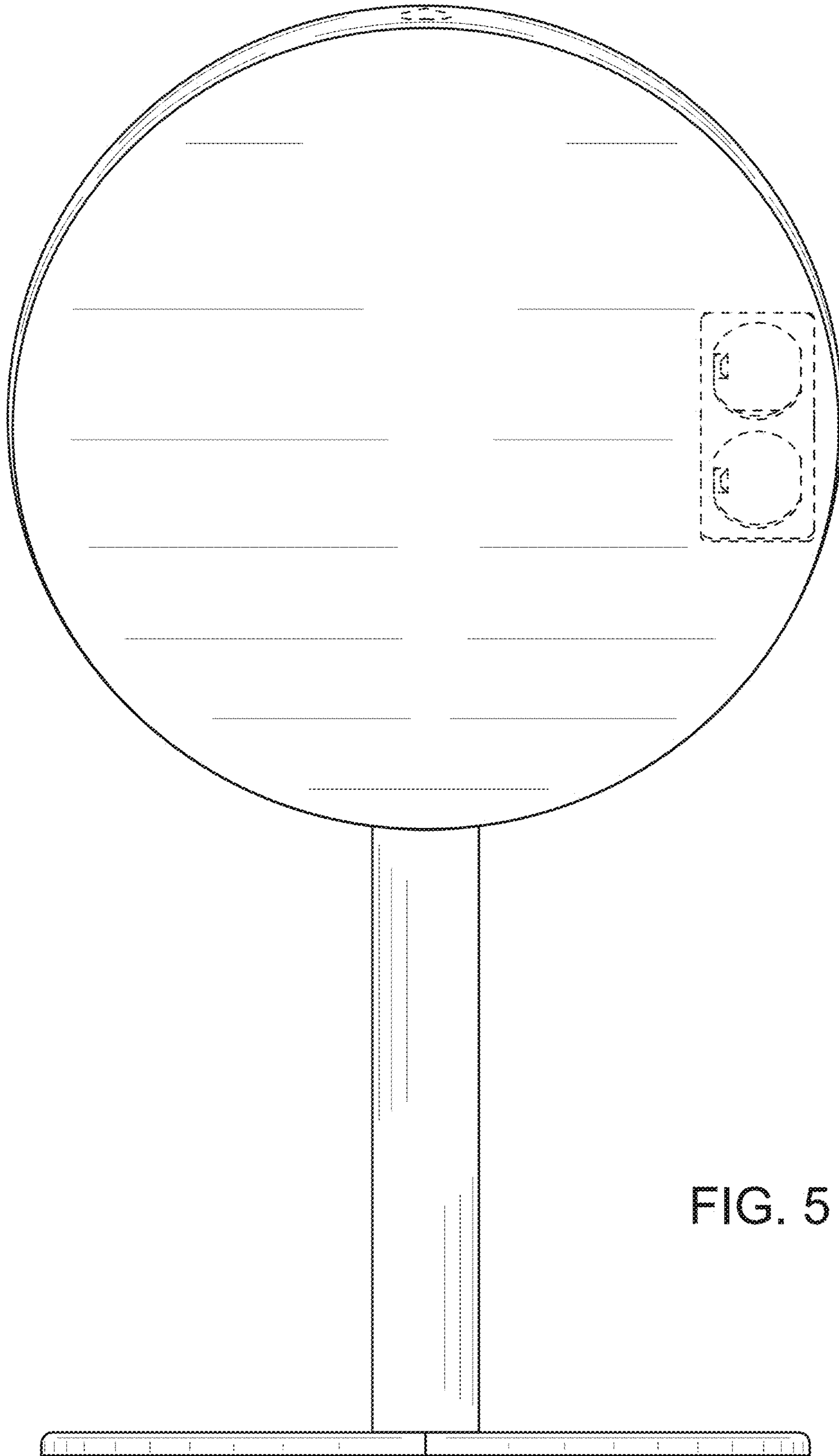


FIG. 5

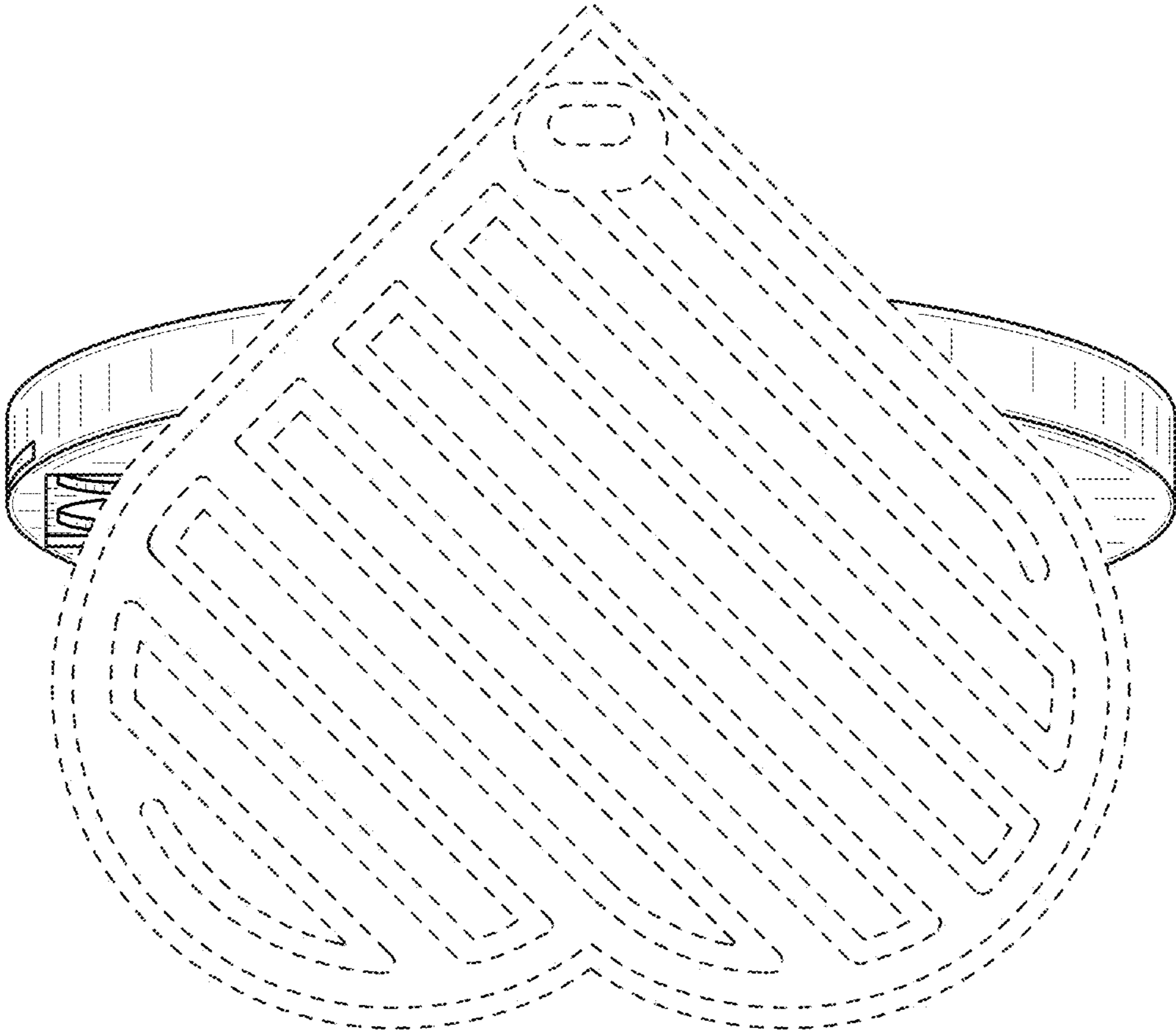


FIG. 6

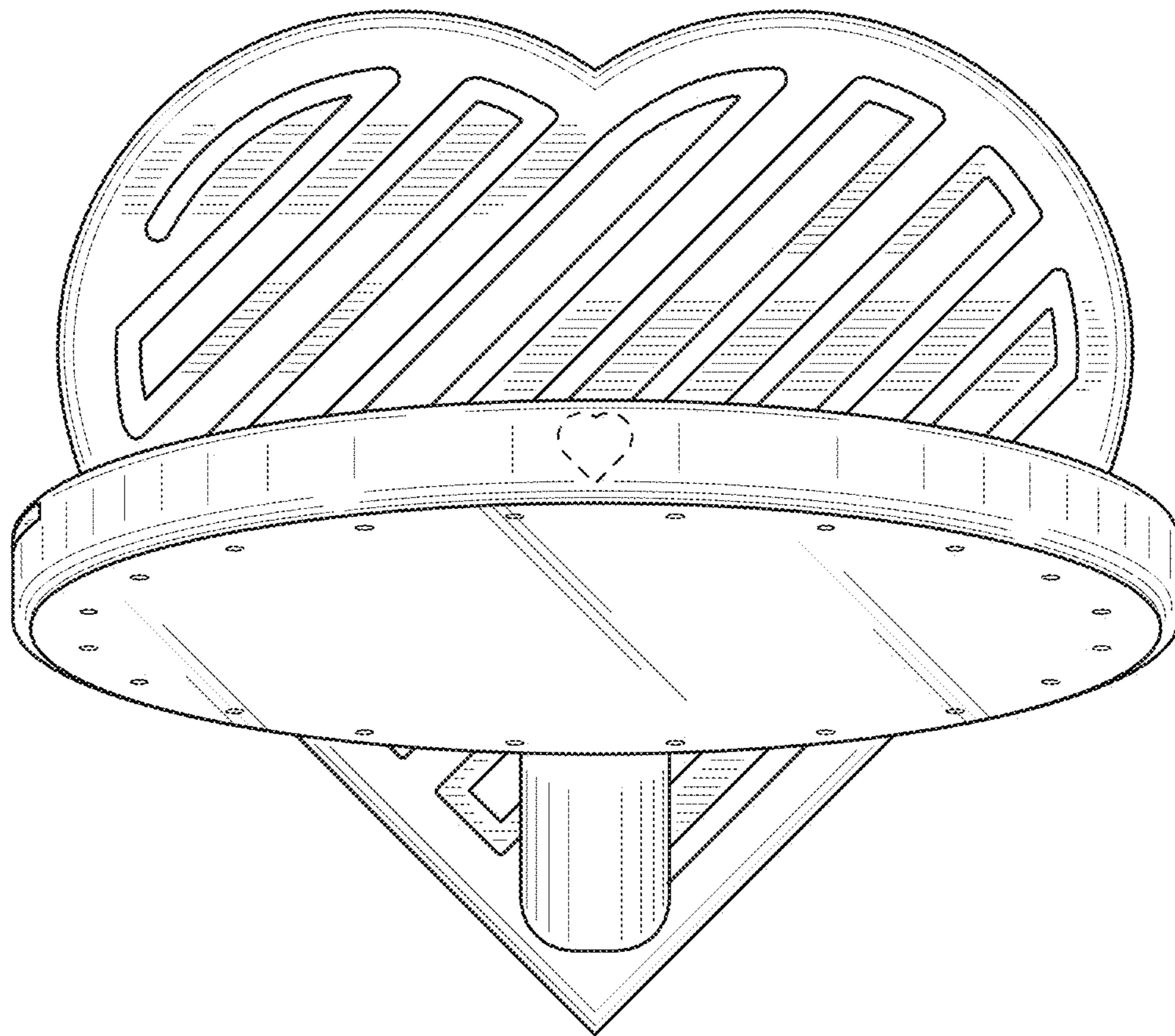


FIG. 7

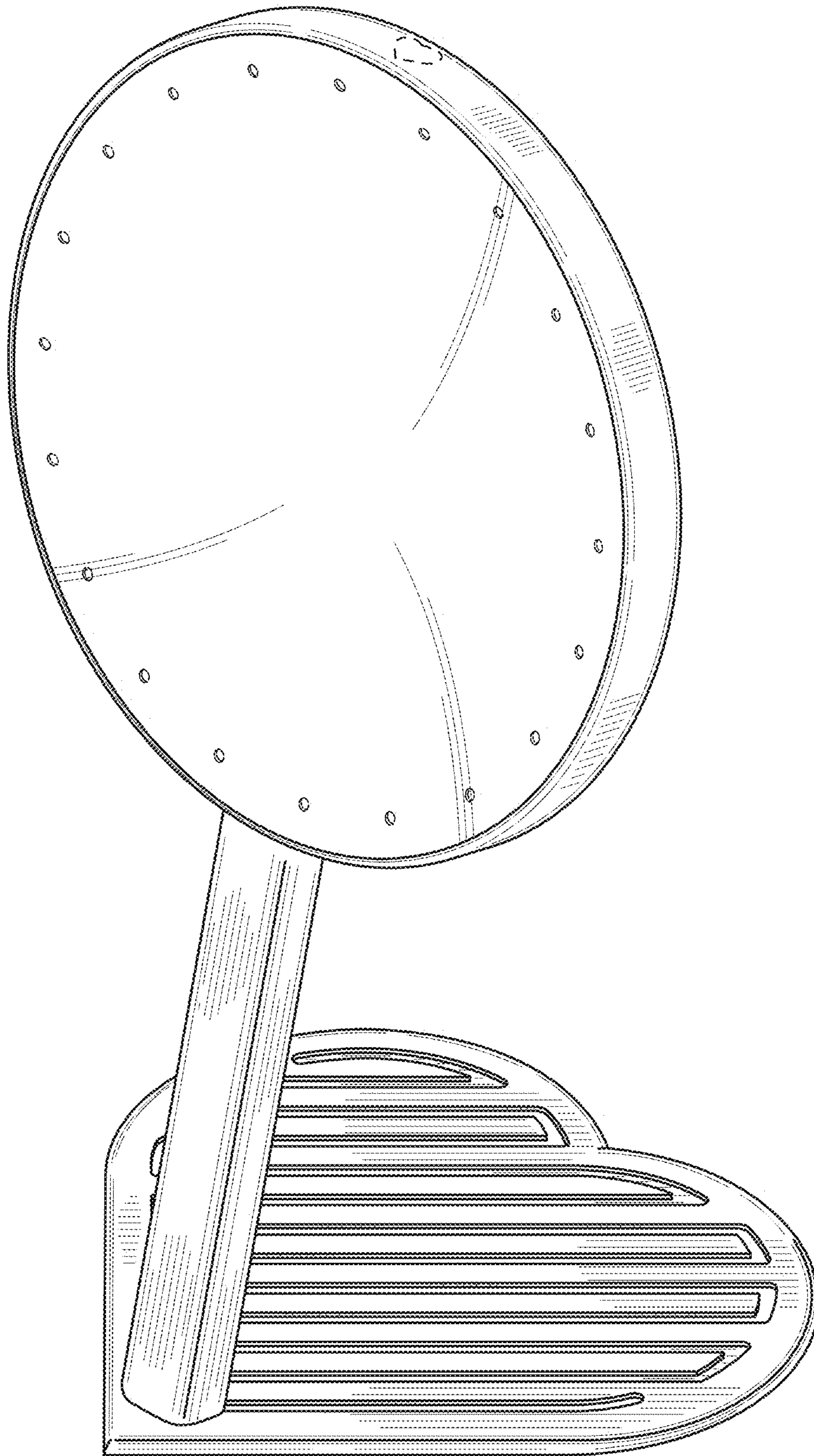


FIG. 8

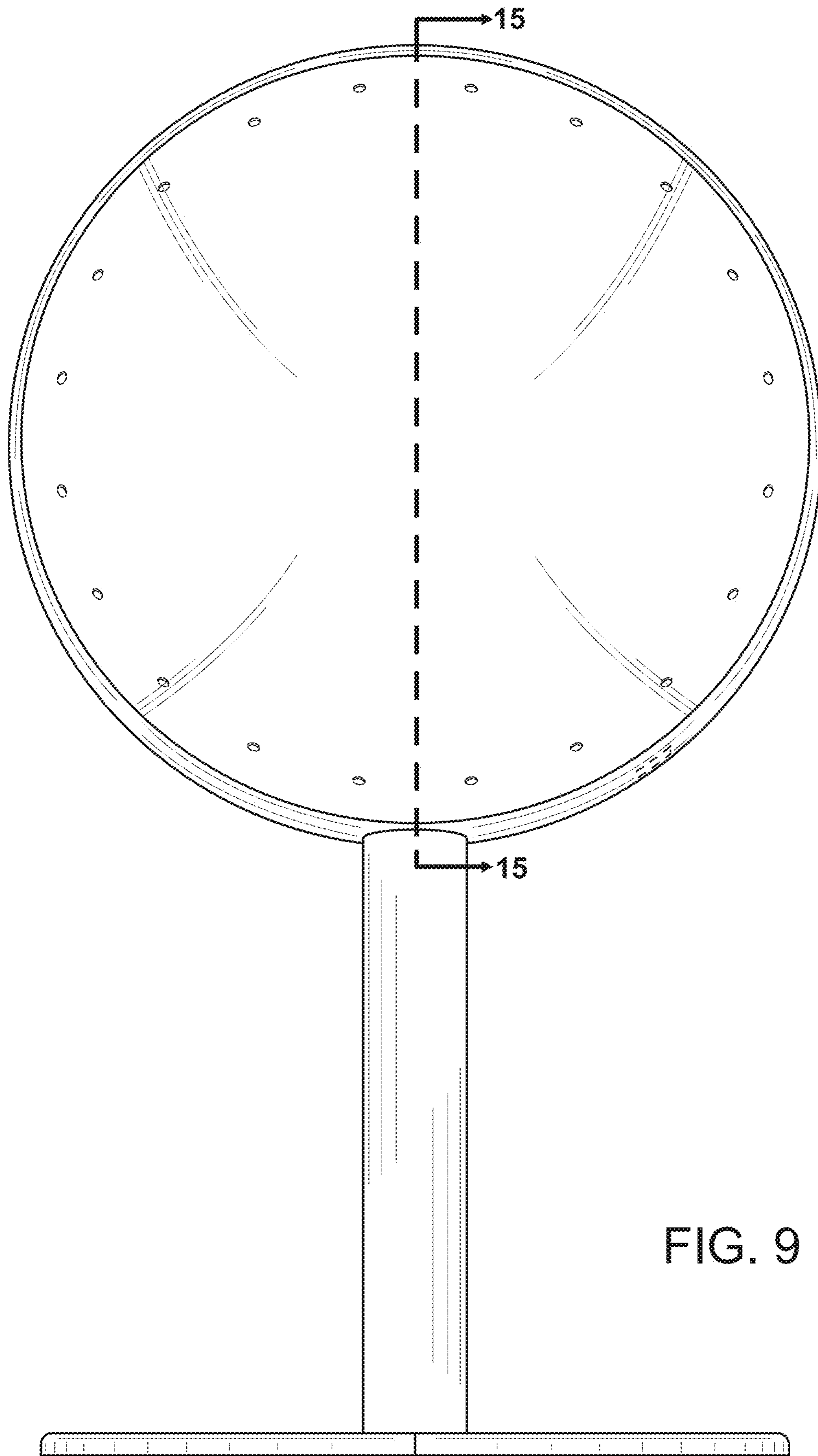


FIG. 9

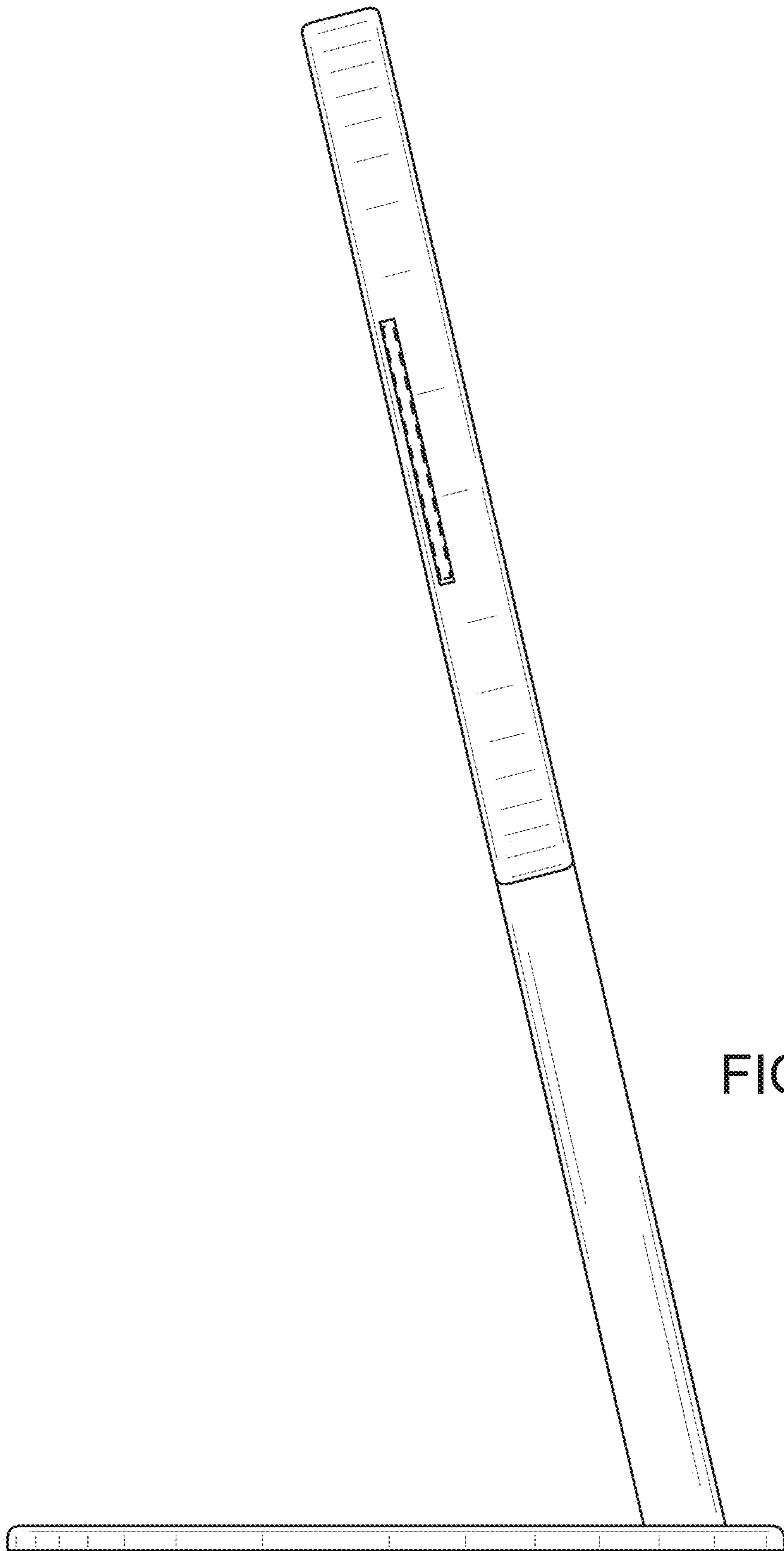
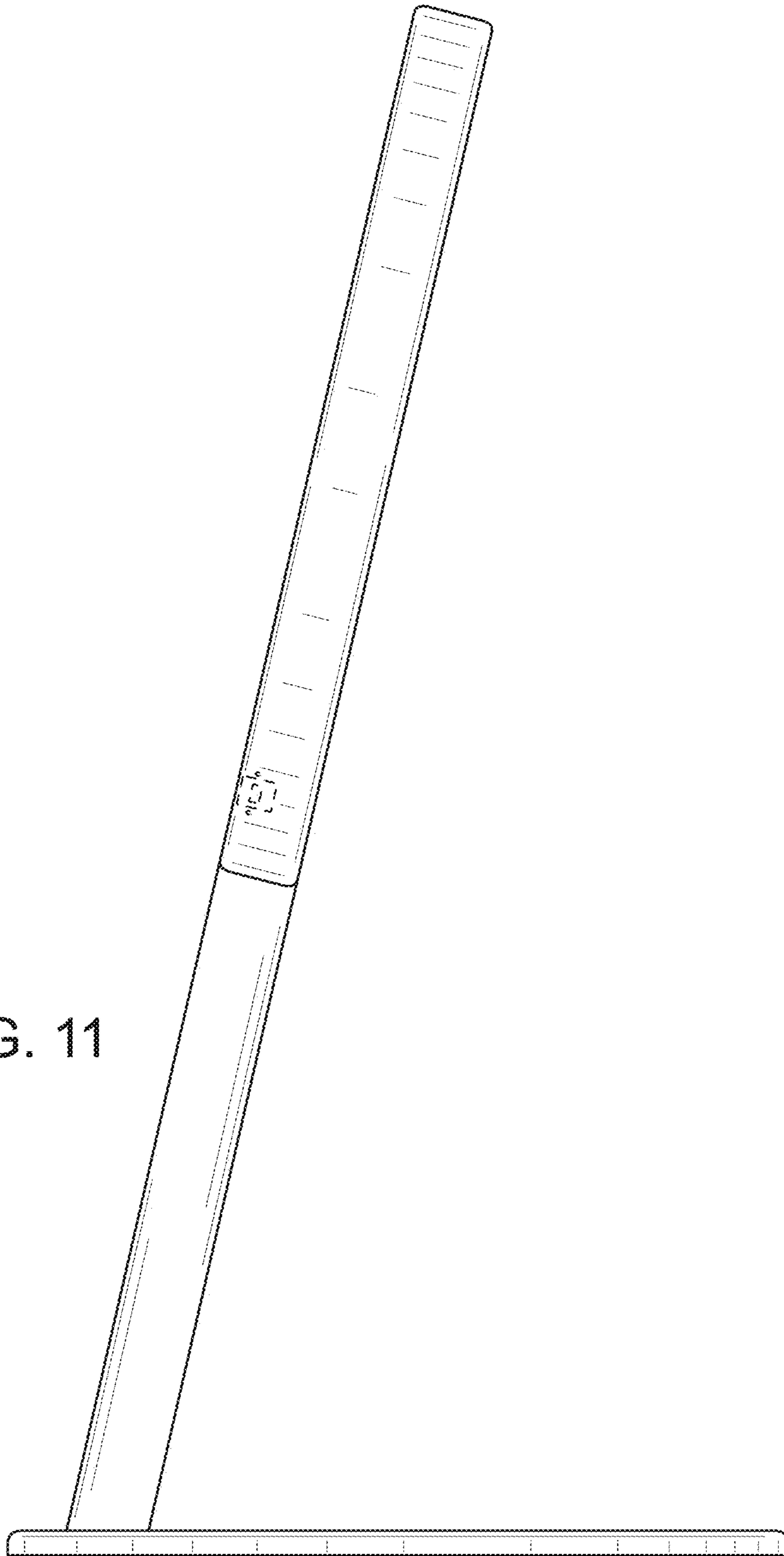


FIG. 10

FIG. 11



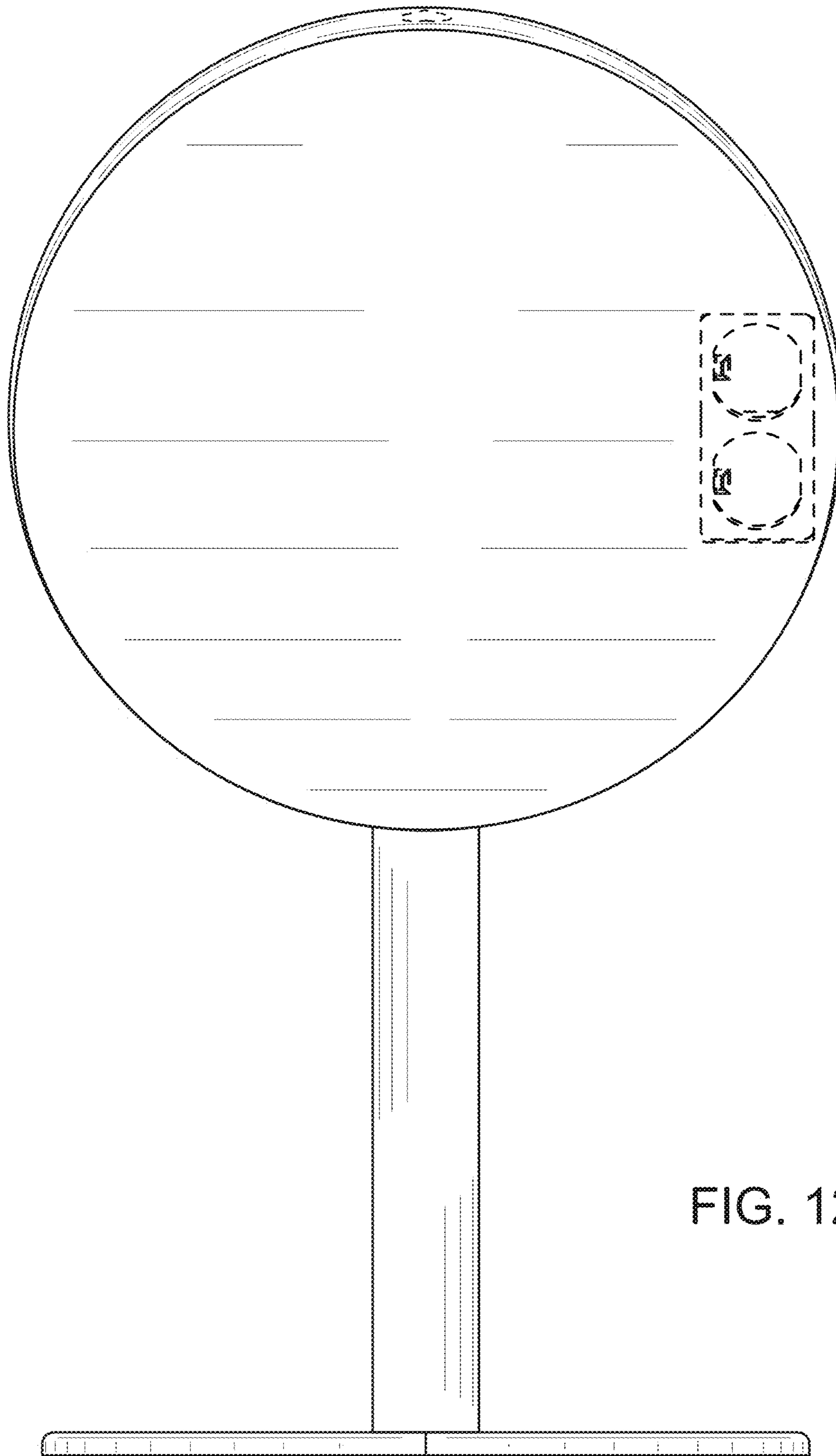


FIG. 12

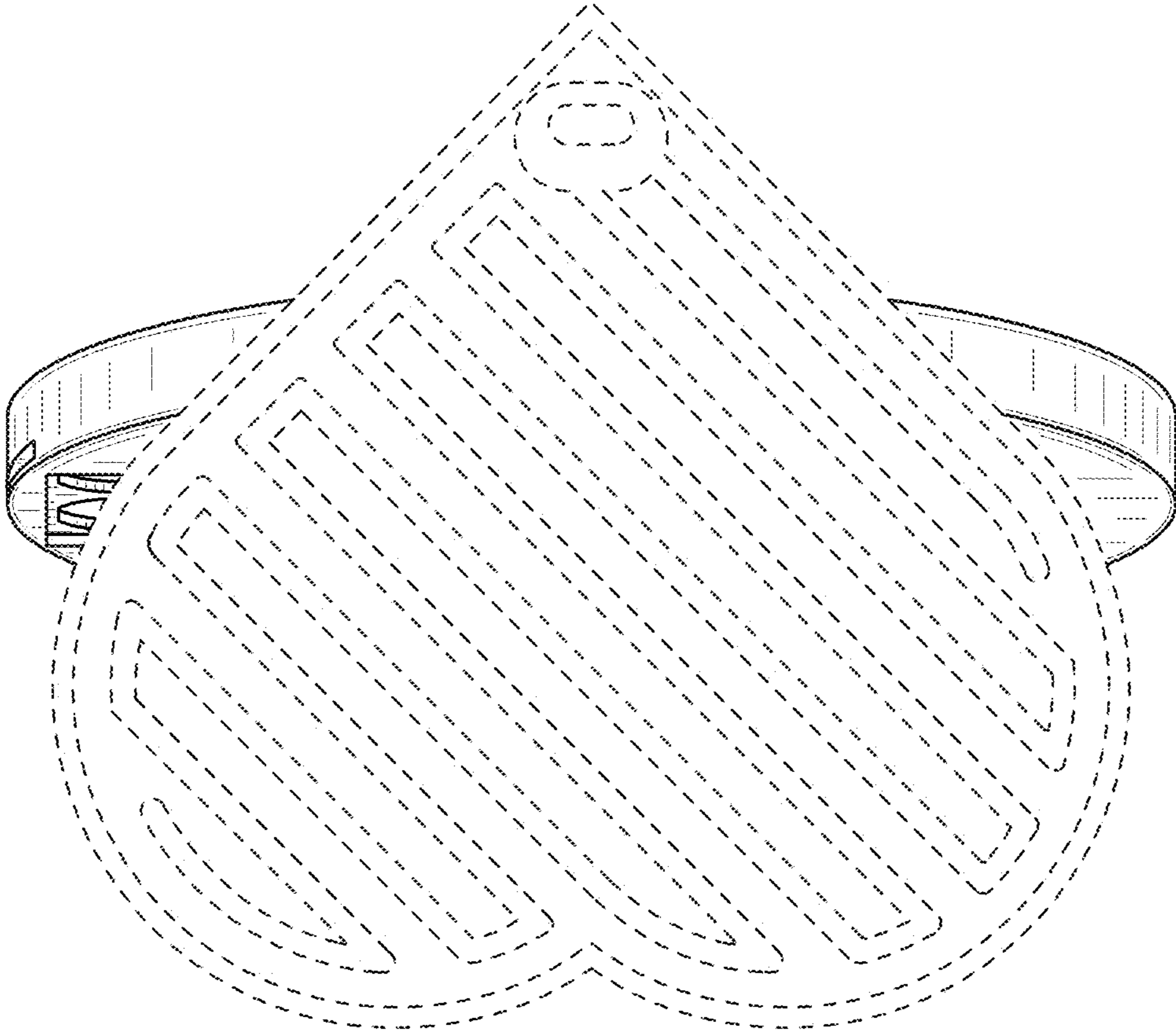


FIG. 13

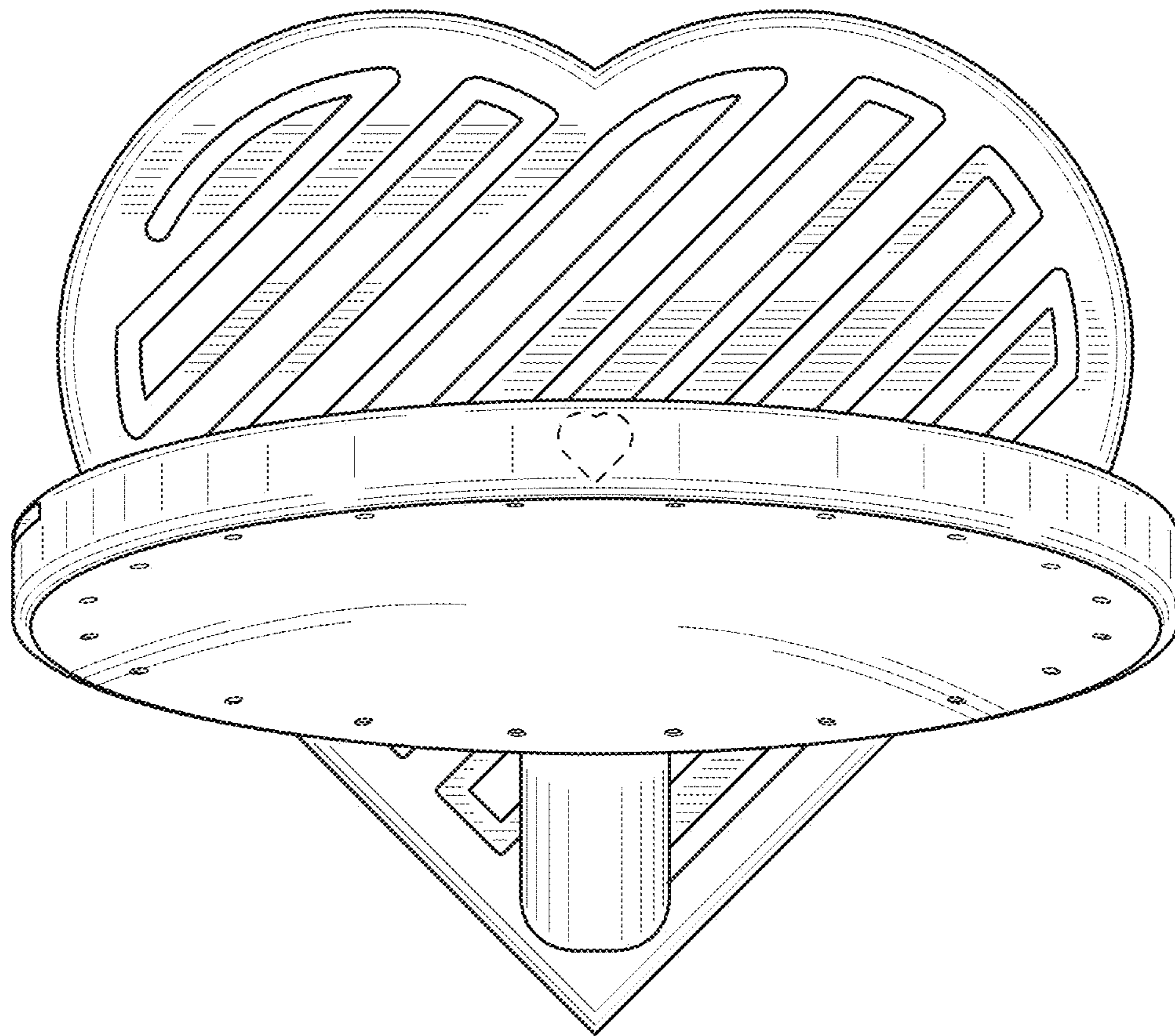


FIG. 14

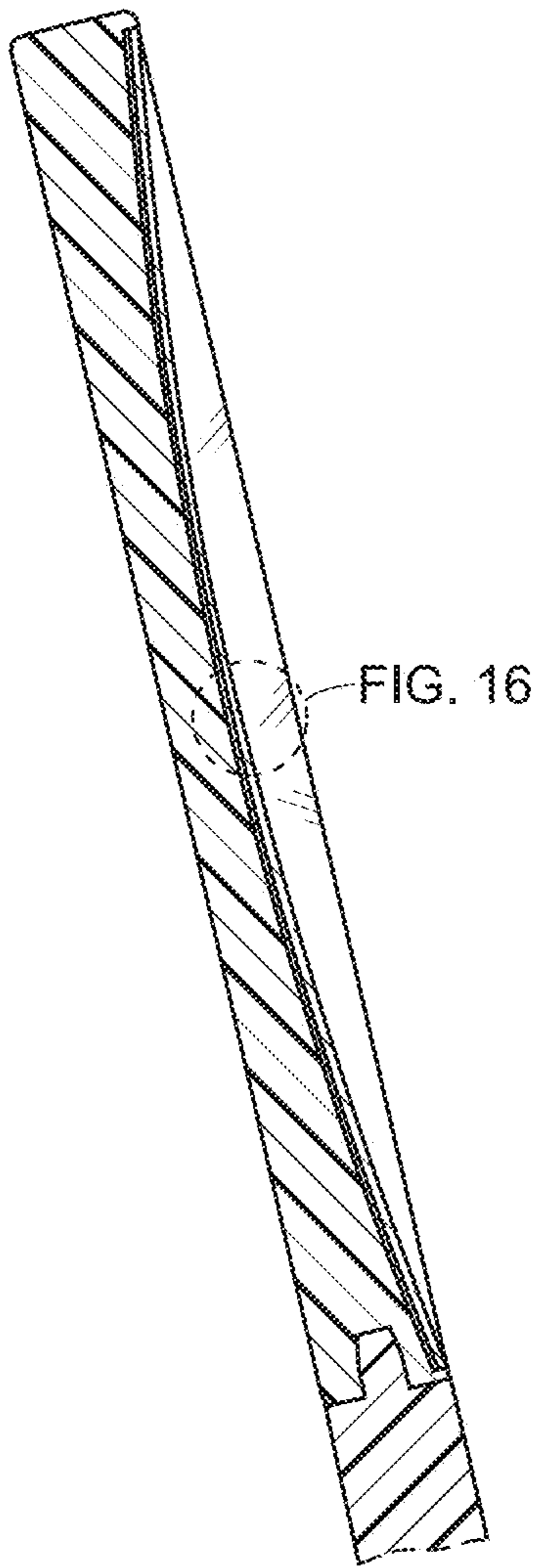


FIG. 15

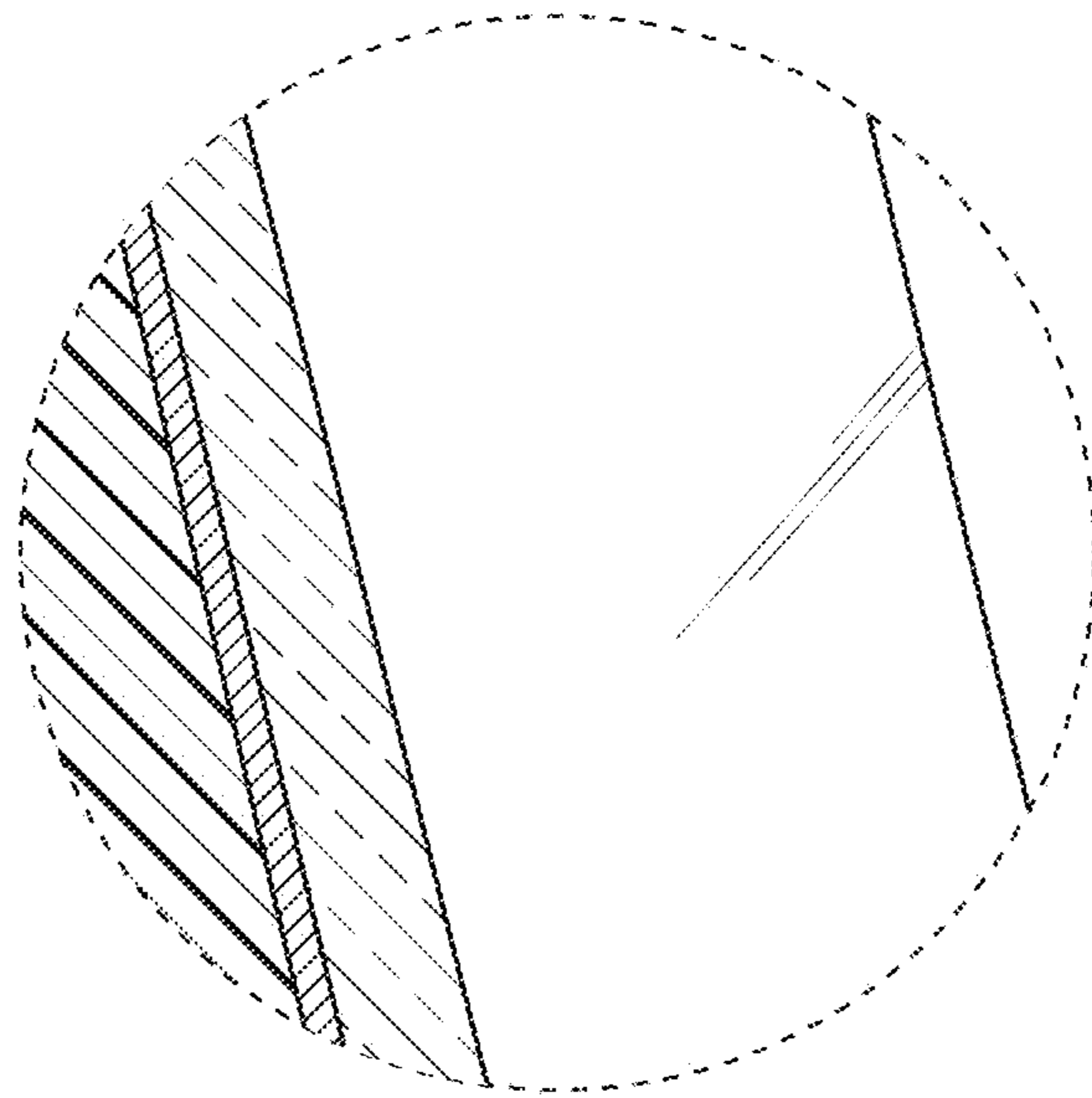


FIG. 16