



US00D878776S

(12) **United States Design Patent**
Liu

(10) **Patent No.:** **US D878,776 S**
(45) **Date of Patent:** **** Mar. 24, 2020**

(54) **MIRROR**

(71) Applicant: **Shaodan Liu**, Meizhou (CN)

(72) Inventor: **Shaodan Liu**, Meizhou (CN)

(**) Term: **15 Years**

(21) Appl. No.: **29/650,393**

(22) Filed: **Jun. 6, 2018**

(51) **LOC (12) Cl.** **06-06**

(52) **U.S. Cl.**
USPC **D6/309**

(58) **Field of Classification Search**
USPC D6/300-314
CPC A47G 1/00; A47G 2001/002; A45D 42/10;
F21V 33/004
See application file for complete search history.

(56) **References Cited**

U.S. PATENT DOCUMENTS

D425,313 S * 5/2000 Zadro D6/309
D801,060 S * 10/2017 Hollinger D6/309
D833,762 S * 11/2018 Liu D6/310

D846,288 S * 4/2019 Yang D6/309
D861,356 S * 10/2019 Zhu D6/310
D865,374 S * 11/2019 Yang D6/310

* cited by examiner

Primary Examiner — Deanna L Pratt
(74) *Attorney, Agent, or Firm* — Novoclaims Patent Services LLC; Mei Lin Wong

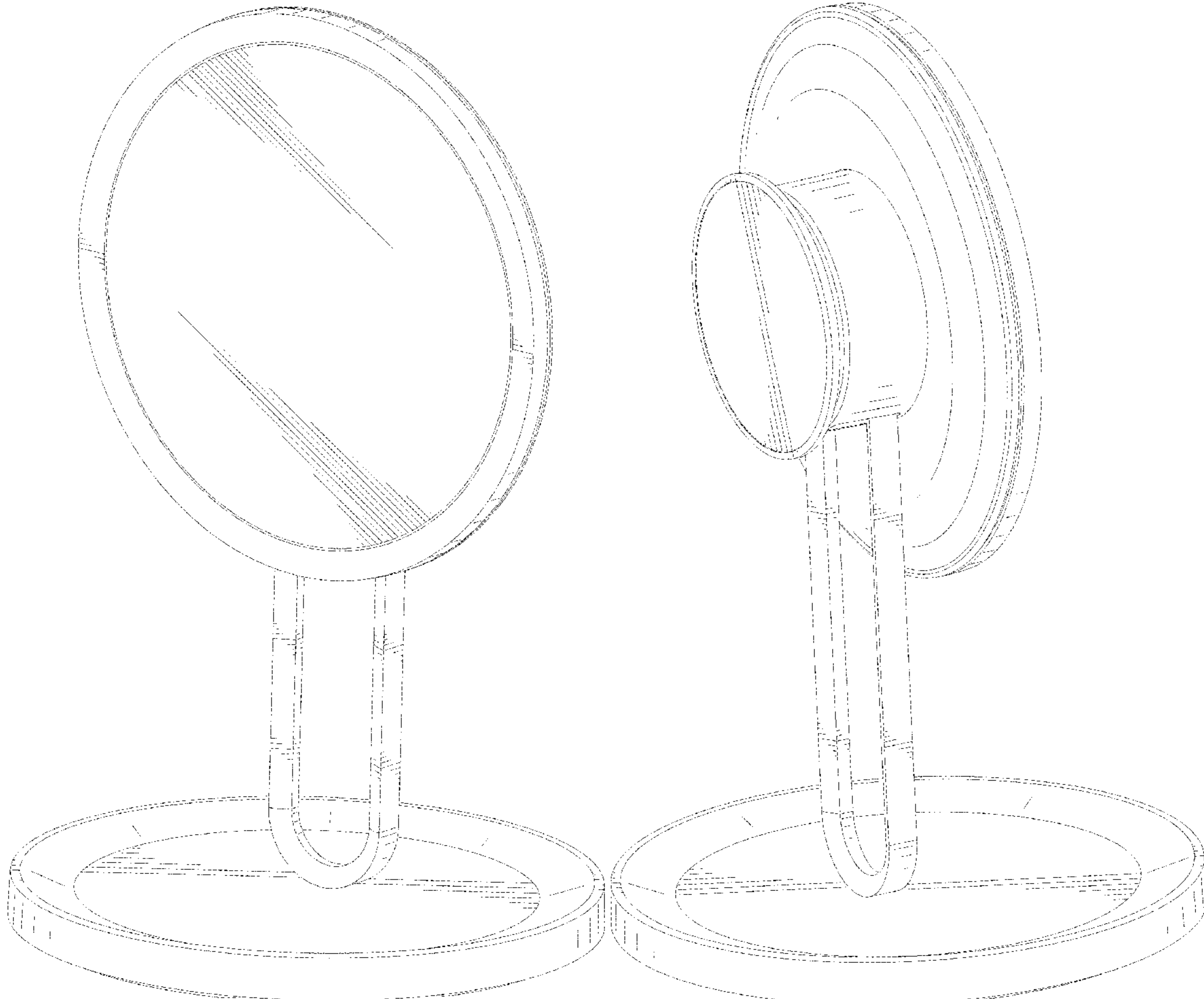
(57) **CLAIM**

The ornamental design for a mirror, as shown and described.

DESCRIPTION

FIG. 1 is a front perspective view of a mirror, showing my new design;
FIG. 2 is a rear perspective view thereof;
FIG. 3 is a front view thereof;
FIG. 4 is a rear view thereof;
FIG. 5 is a left side view thereof;
FIG. 6 is a right side view thereof;
FIG. 7 is a top view thereof;
FIG. 8 is a bottom view thereof; and,
FIG. 9 is a right side view thereof, showing an in-use condition.

1 Claim, 9 Drawing Sheets



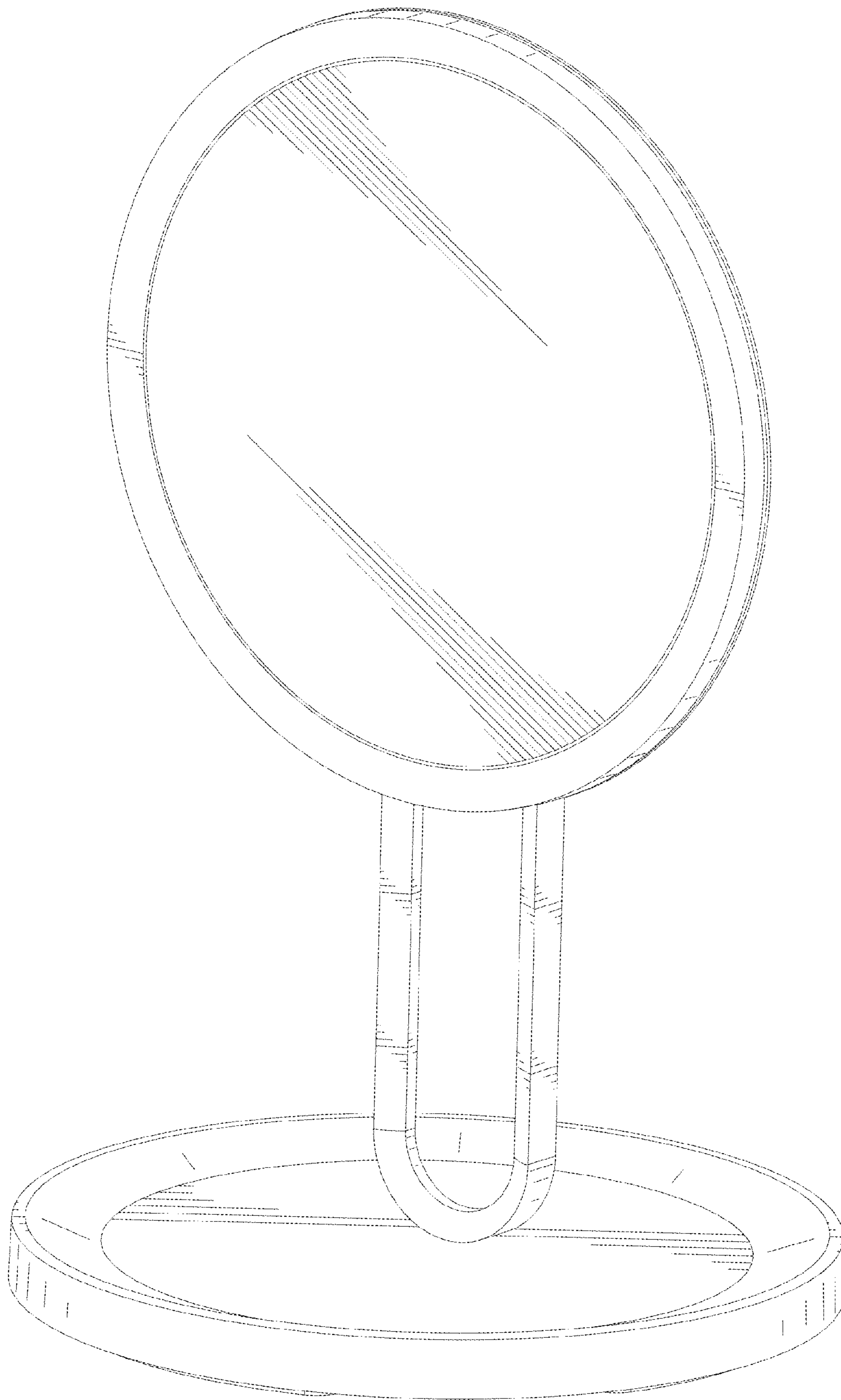


FIG.1

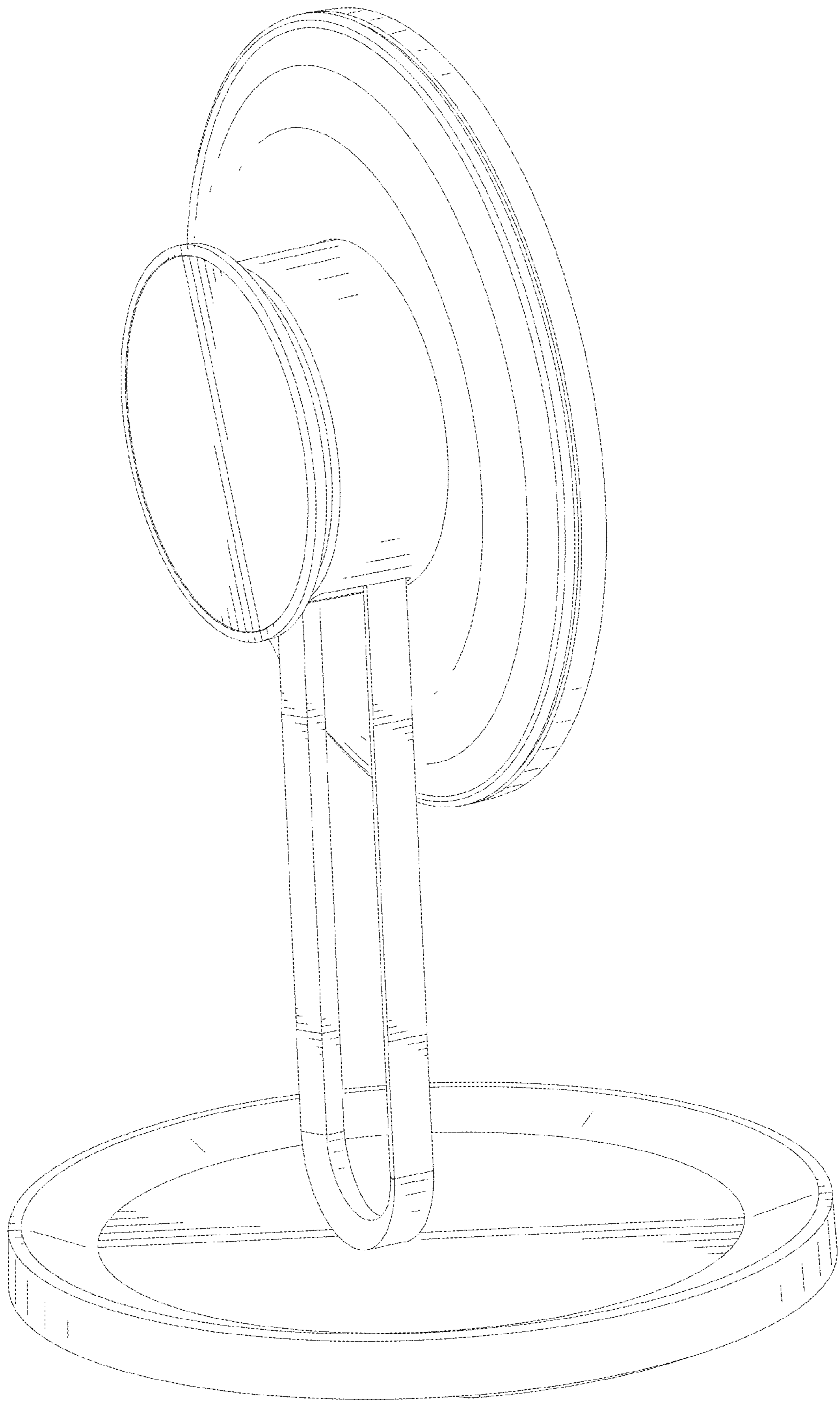


FIG. 2

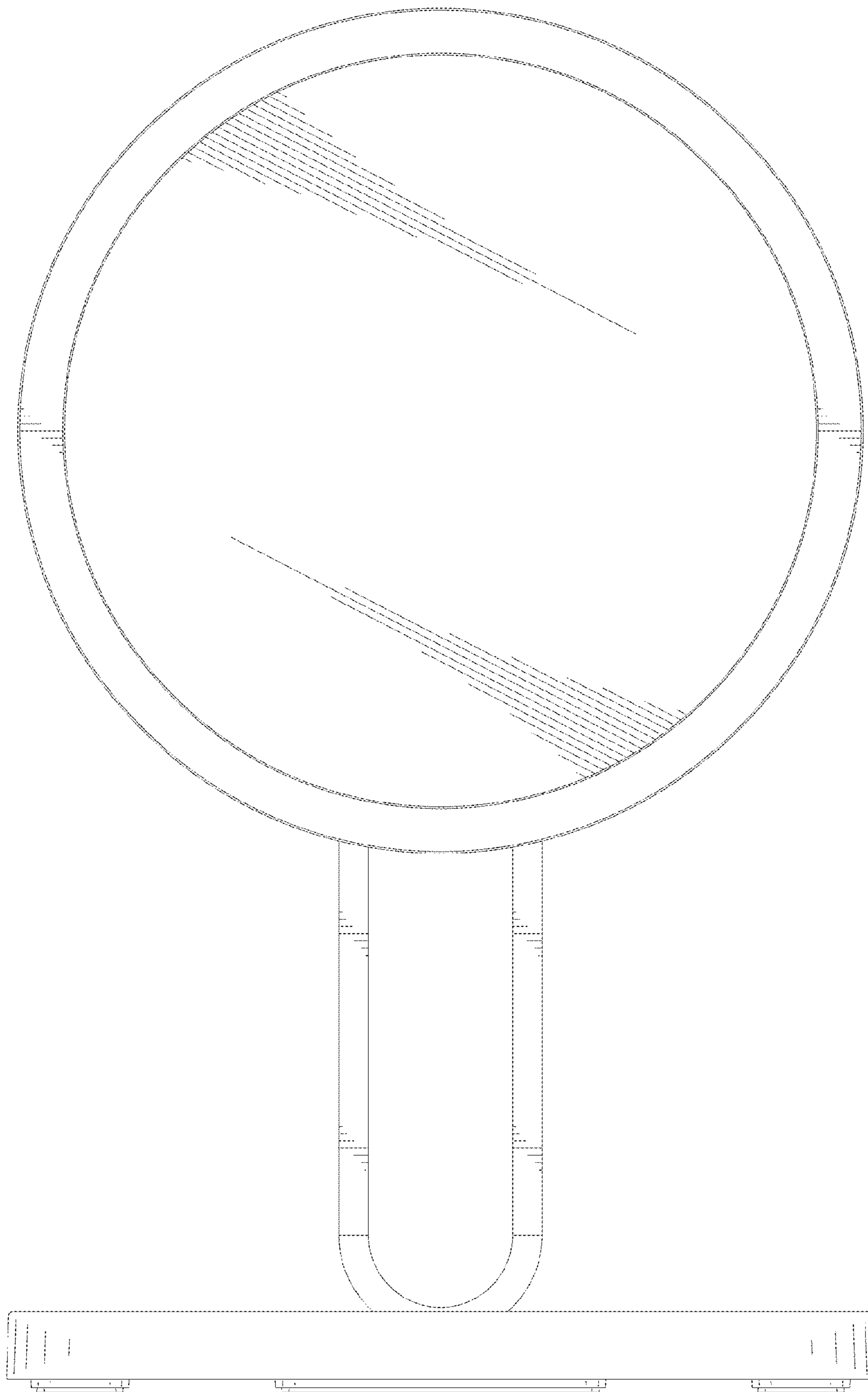


FIG.3

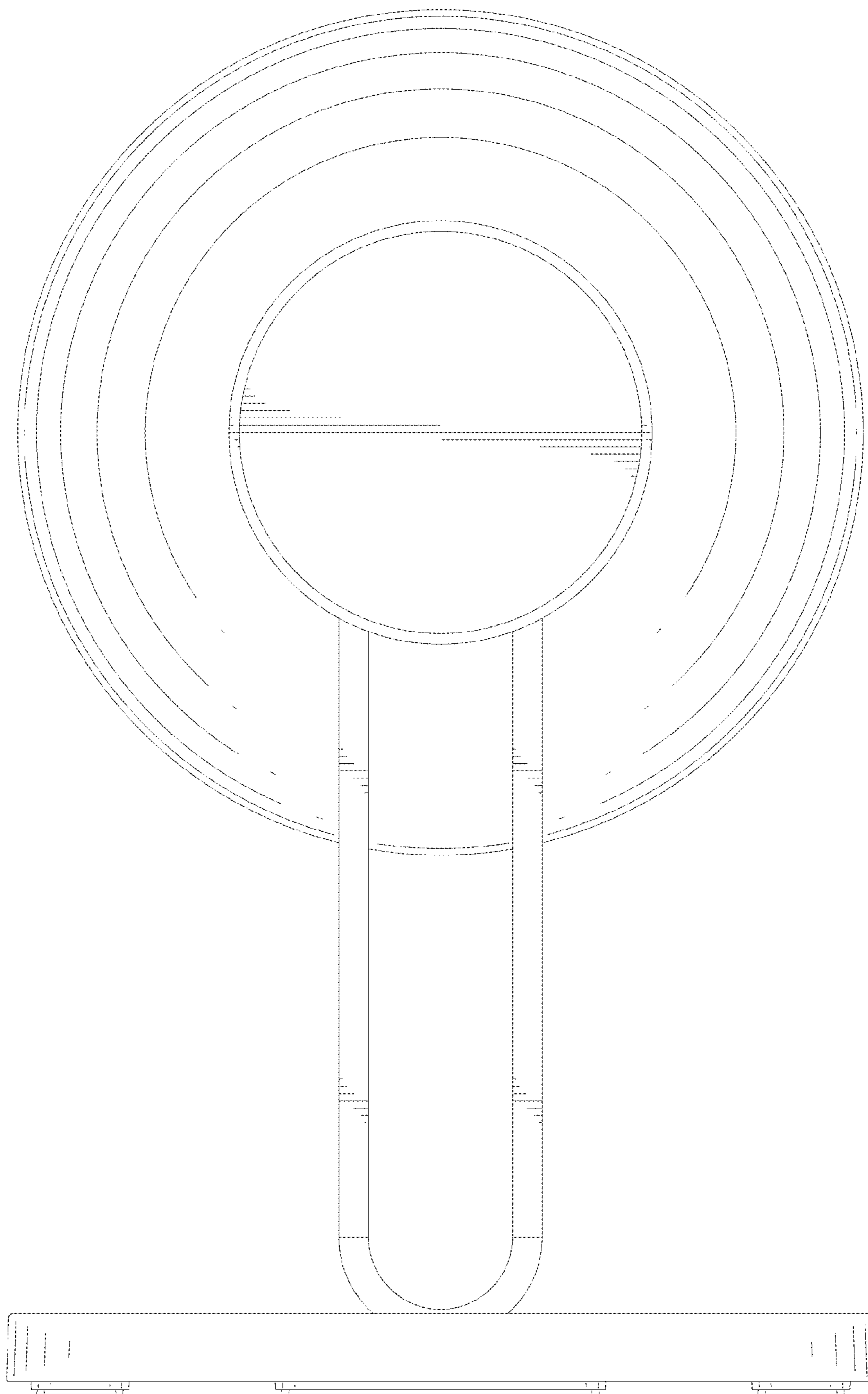


FIG.4

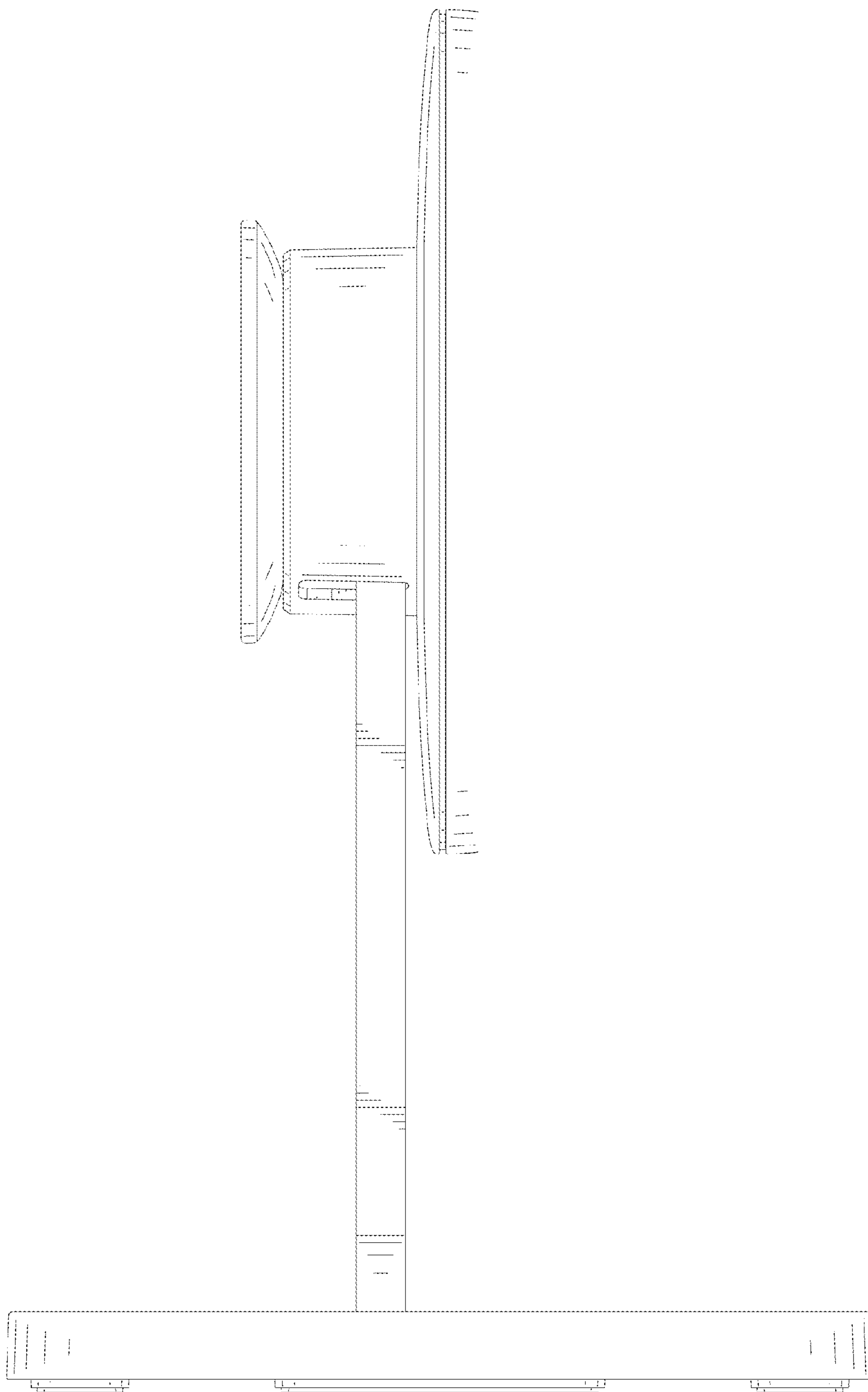


FIG.5

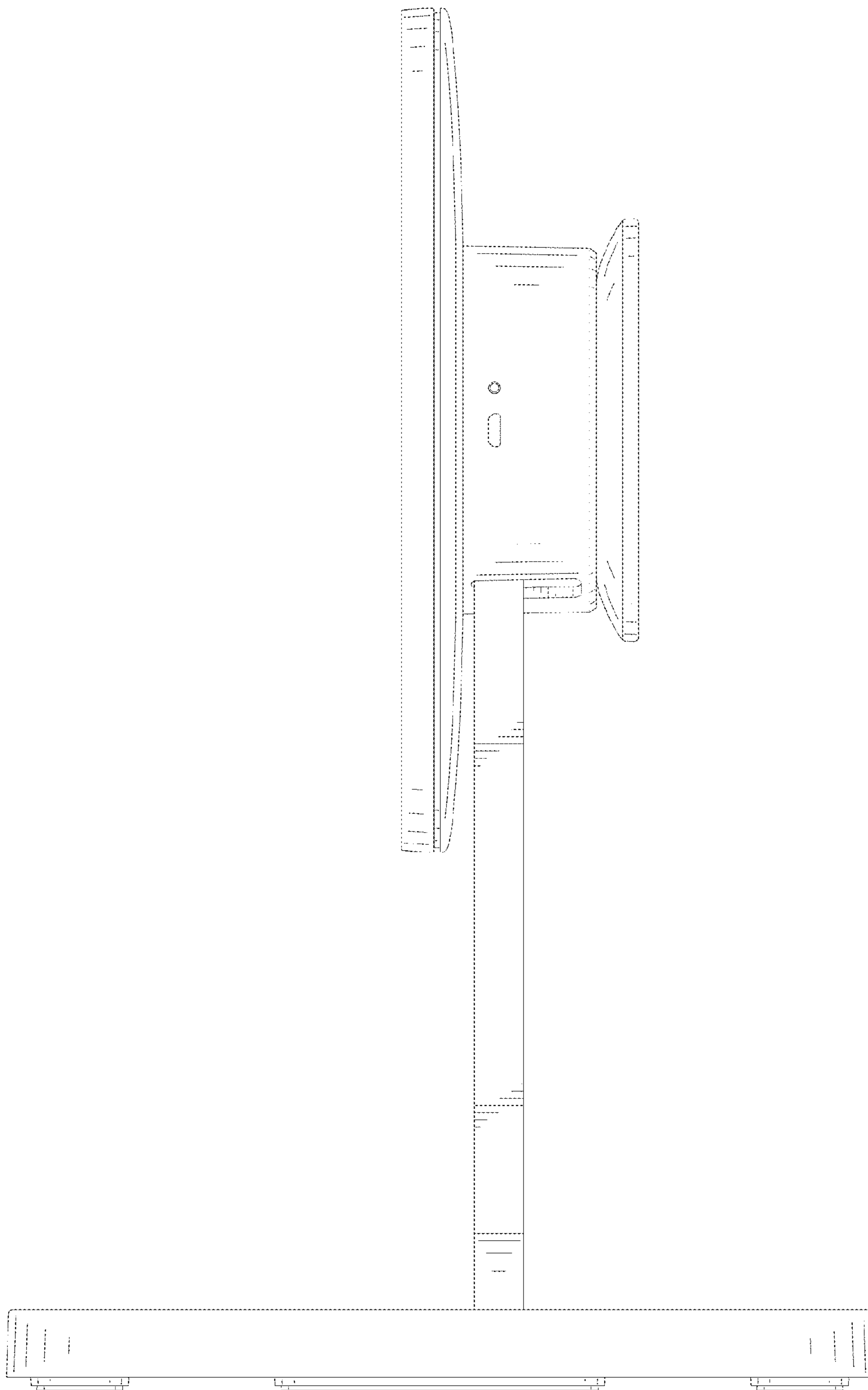


FIG.6

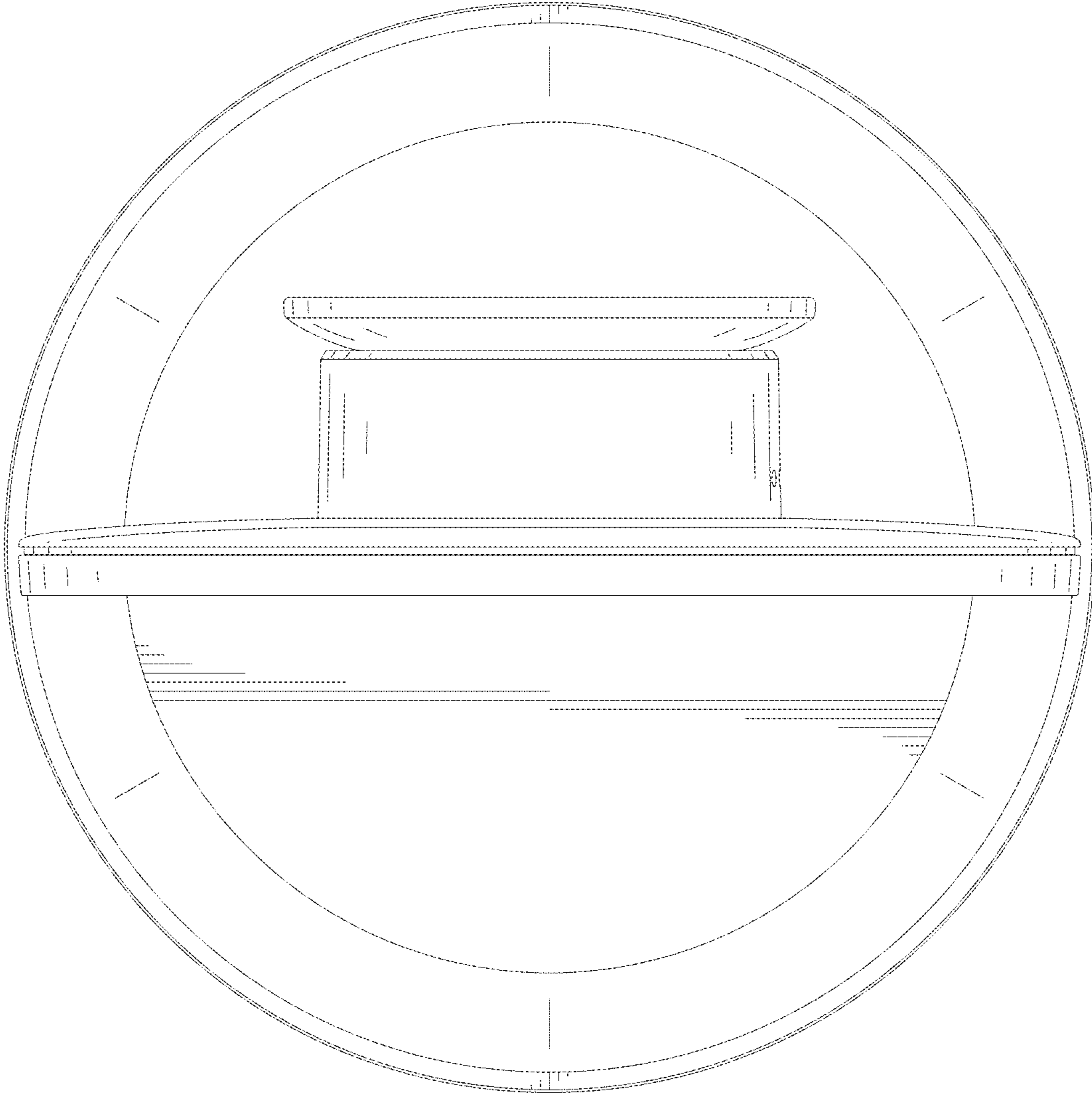


FIG.7

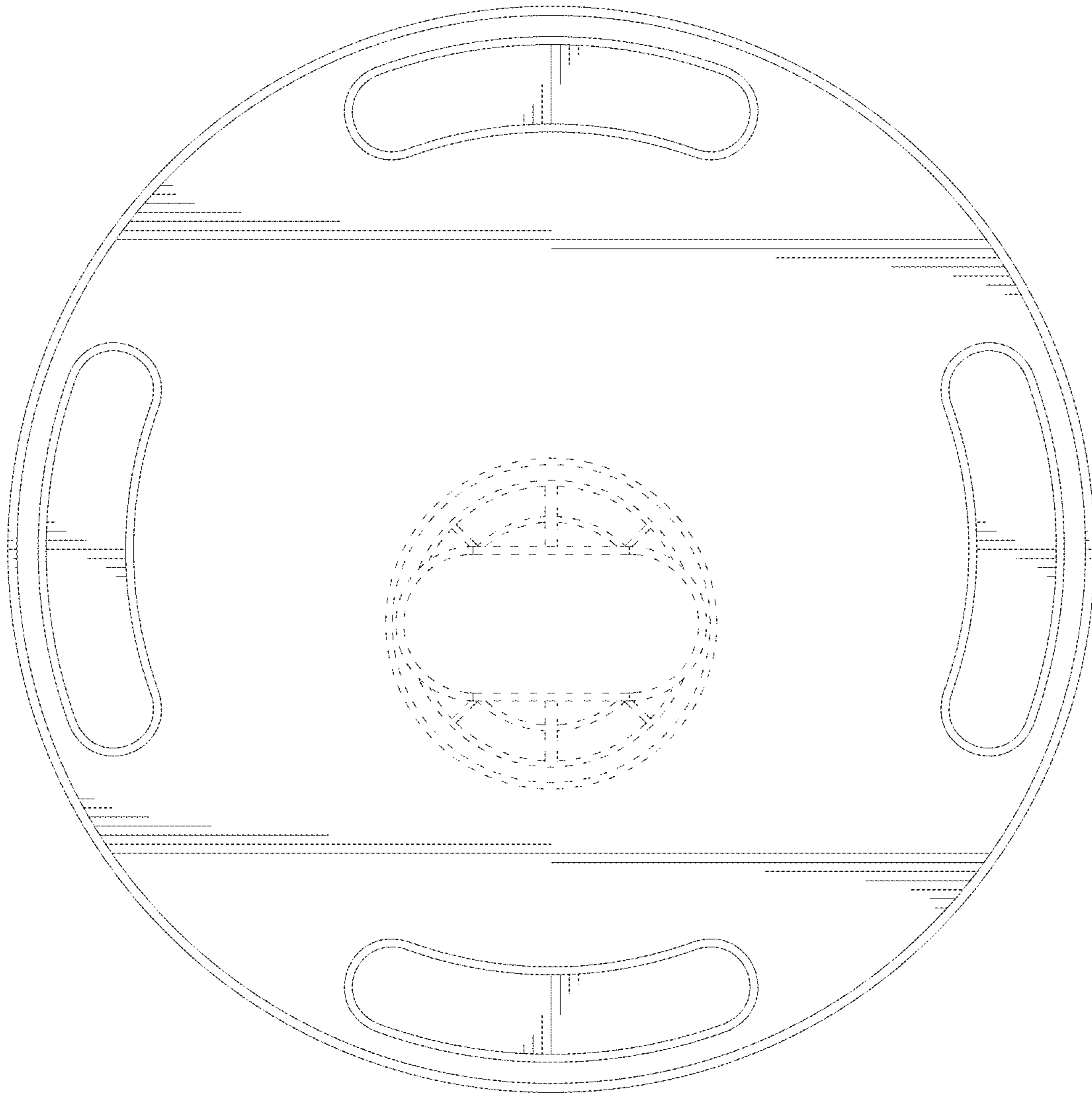


FIG.8

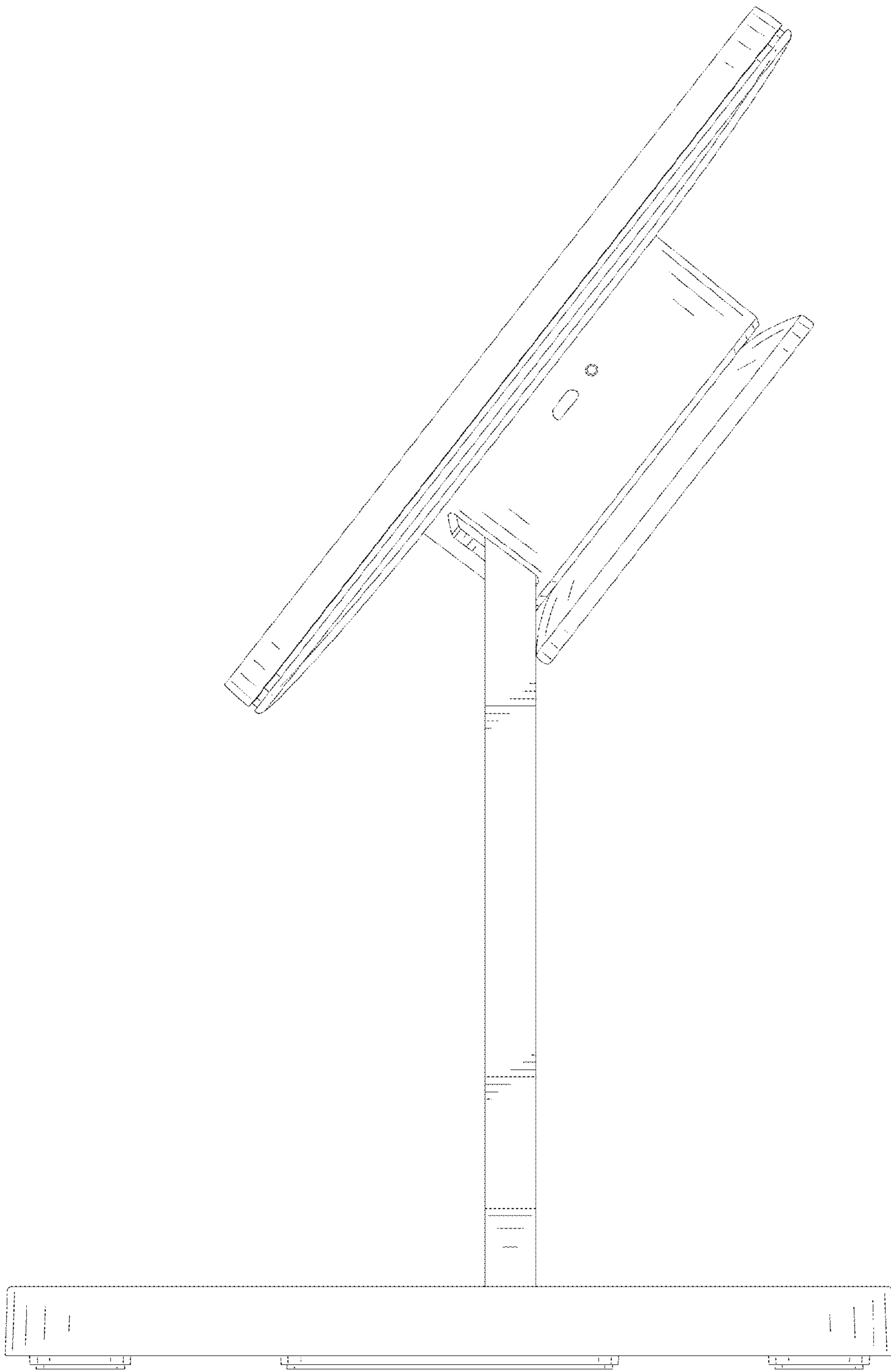


FIG. 9