



US00D878775S

(12) **United States Design Patent**
Wang

(10) **Patent No.:** **US D878,775 S**
(45) **Date of Patent:** **** Mar. 24, 2020**

- (54) **DIGITAL PHOTO FRAME**
- (71) Applicant: **Huailu Wang**, Ganzhou (CN)
- (72) Inventor: **Huailu Wang**, Ganzhou (CN)
- (**) Term: **15 Years**
- (21) Appl. No.: **29/708,882**
- (22) Filed: **Oct. 10, 2019**
- (51) **LOC (12) Cl.** **06-06**
- (52) **U.S. Cl.**
USPC **D6/308; D14/371**
- (58) **Field of Classification Search**
USPC D6/300-314; D10/15, 21, 24; D14/336,
D14/371, 374, 375
CPC G09G 2380/16
See application file for complete search history.

(56) **References Cited**

U.S. PATENT DOCUMENTS

- 899,329 A * 9/1908 Sborigi A47G 1/06
40/765
- 2,791,051 A * 5/1957 Scheyer A47G 1/162
40/763
- D213,882 S * 4/1969 Sonnenblick D6/300
- D473,720 S * 4/2003 Harris D6/300
- D480,222 S * 10/2003 Lee D19/96
- D575,531 S * 8/2008 Paterson D6/300
- D622,513 S * 8/2010 Tang D14/371

- D622,970 S * 9/2010 Tang D14/371
- D637,822 S * 5/2011 Utsunomiya
- D643,634 S * 8/2011 Chiu D6/308
- D677,474 S * 3/2013 Harris D6/310
- D731,799 S * 6/2015 Park D6/300
- D802,944 S * 11/2017 Palfreeman D6/308
- D805,309 S * 12/2017 Moyer D6/308
- D818,723 S * 5/2018 Moyer D6/308
- D862,909 S * 10/2019 Zhou D6/308

* cited by examiner

Primary Examiner — Deanna L Pratt

(74) *Attorney, Agent, or Firm* — Jie Yang; ZanIP

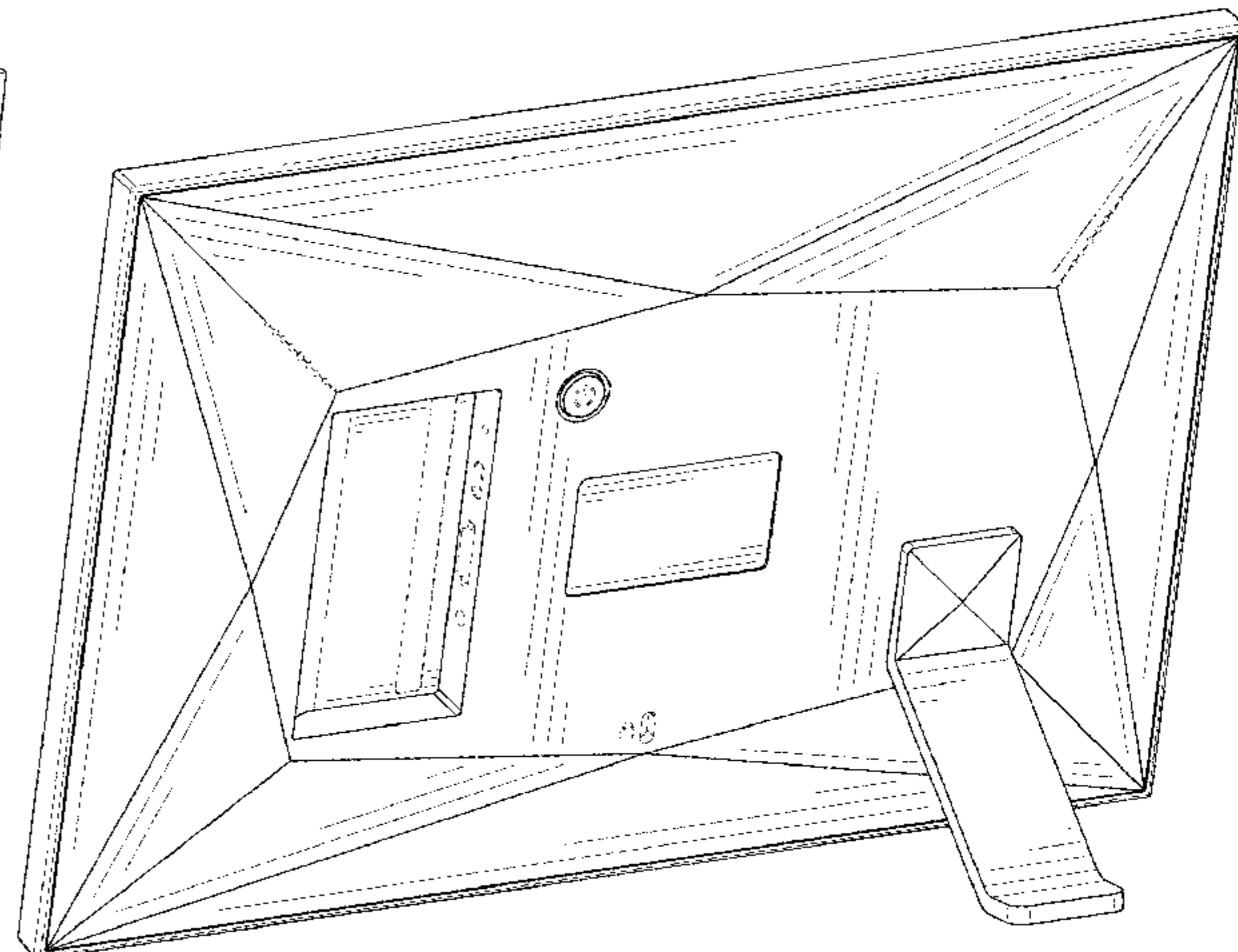
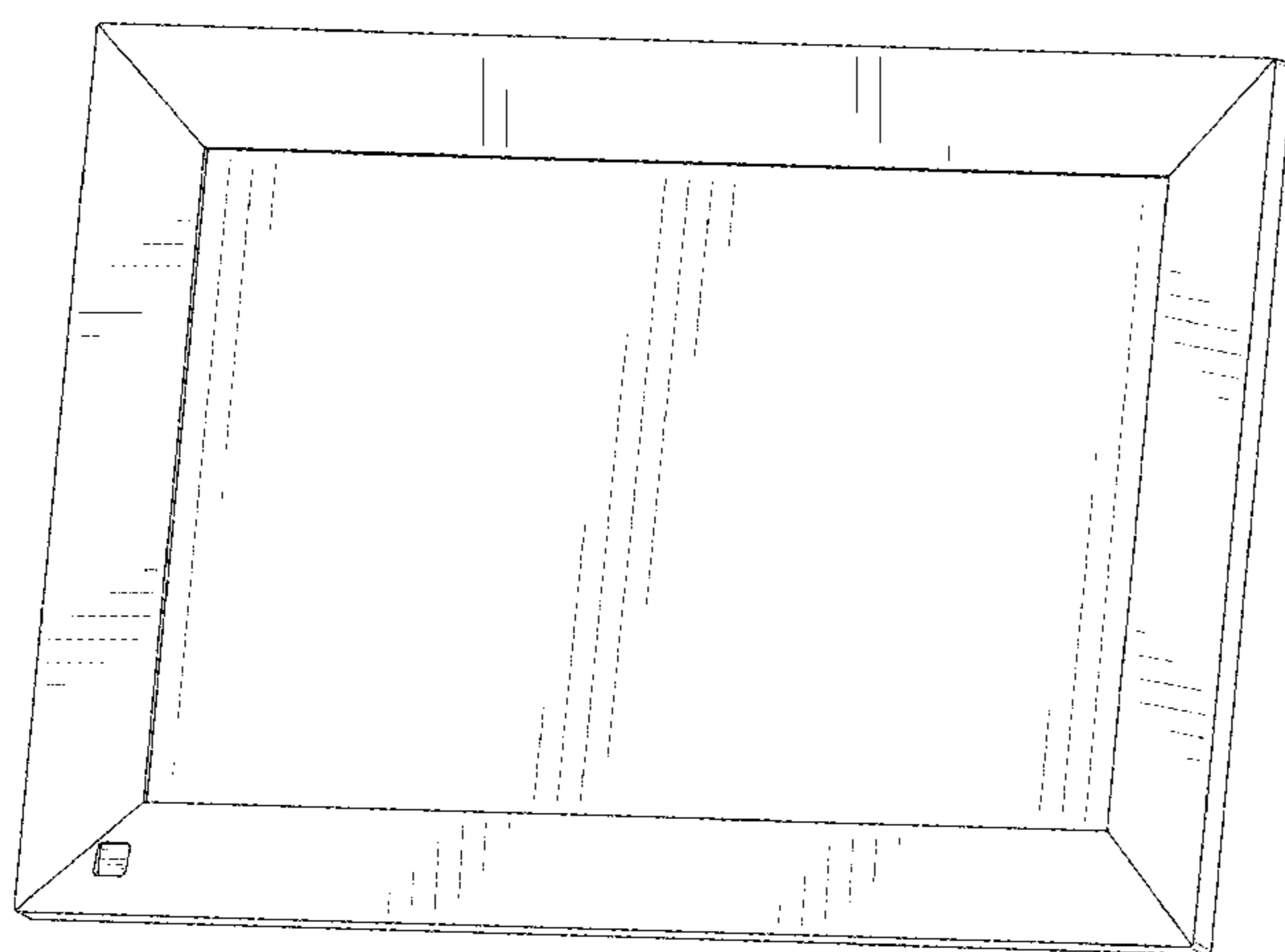
(57) **CLAIM**

The ornamental design for a digital photo frame, as shown and described.

DESCRIPTION

FIG. 1 is a front perspective view of a digital photo frame, showing my new design;
 FIG. 2 is a rear perspective view thereof;
 FIG. 3 is a front elevational view thereof;
 FIG. 4 is a rear elevational view thereof;
 FIG. 5 is a left side elevational view thereof;
 FIG. 6 is a right side elevational view thereof;
 FIG. 7 is a top plan view thereof; and,
 FIG. 8 is a bottom plan view thereof.
 The broken lines in the figures illustrate portions of the digital photo frame that form no part of the claimed design.

1 Claim, 8 Drawing Sheets



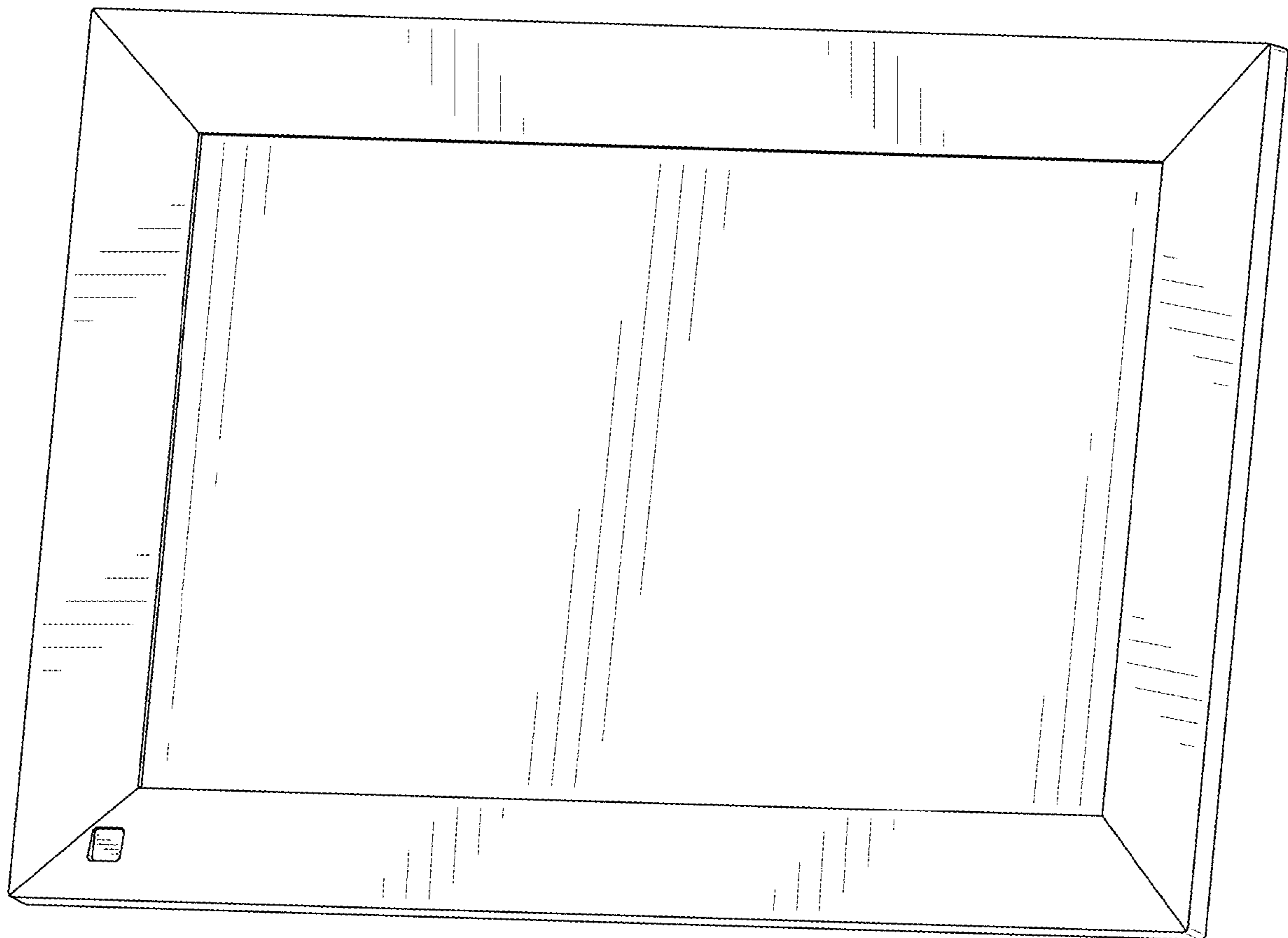


FIG. 1

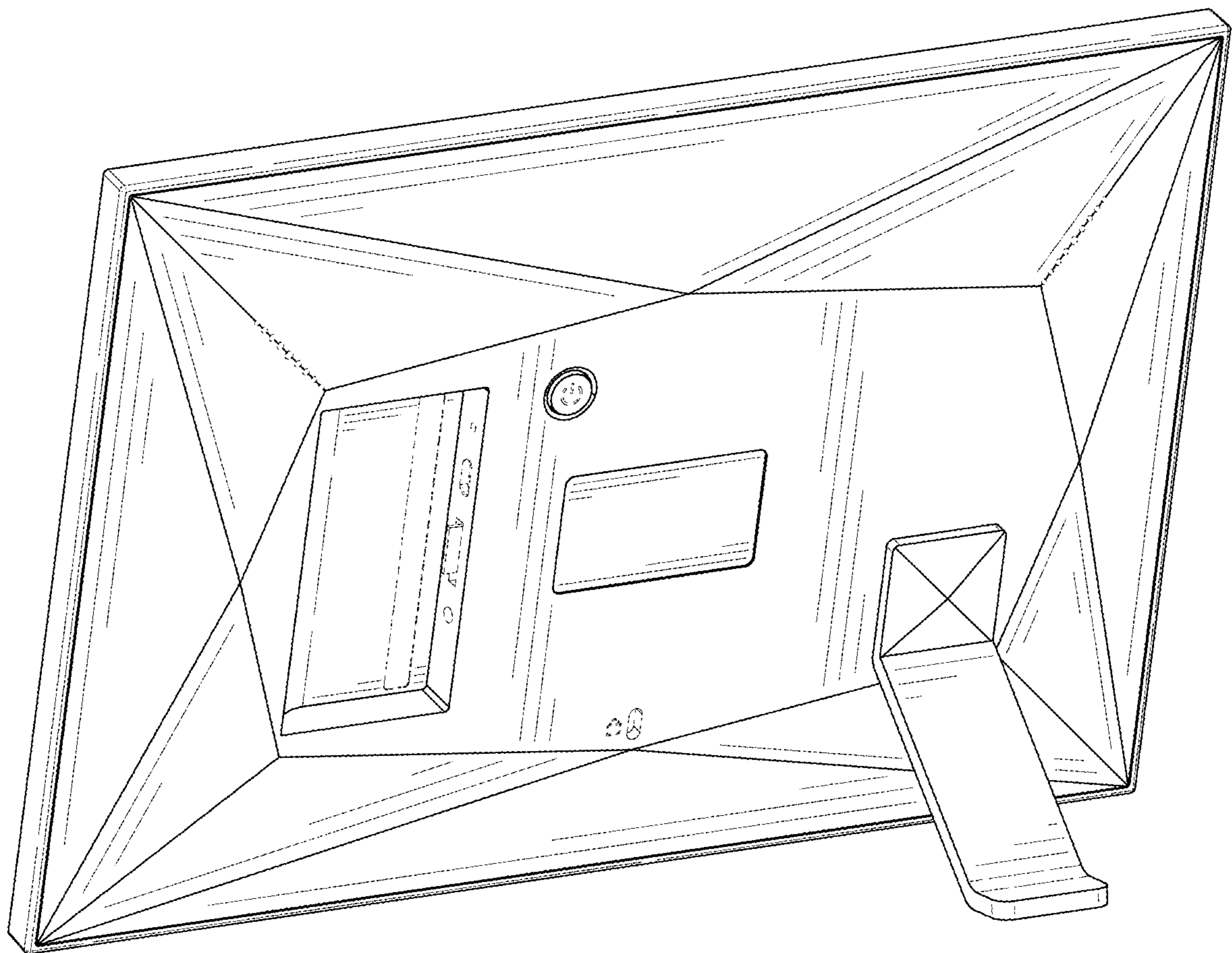


FIG. 2

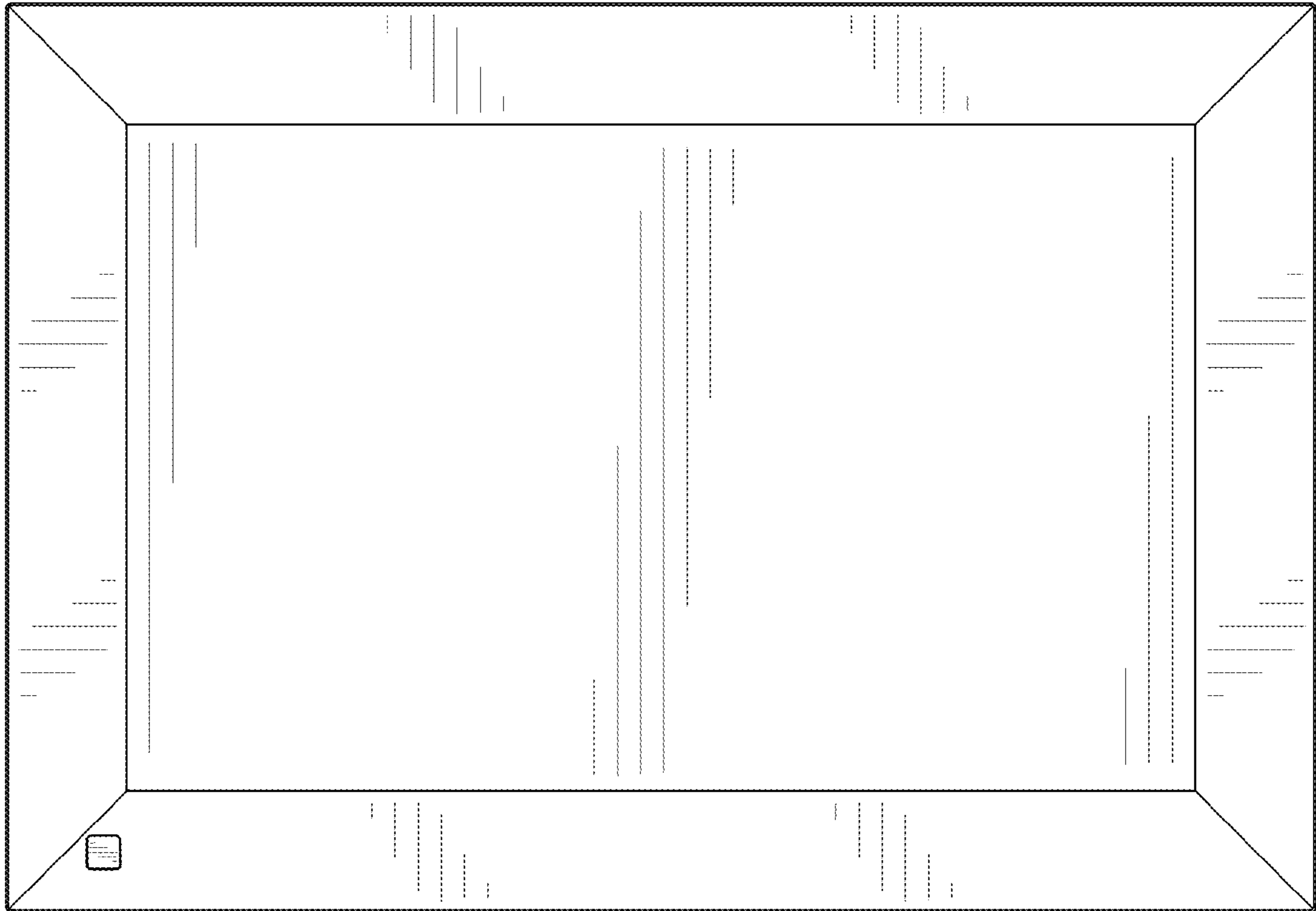


FIG. 3

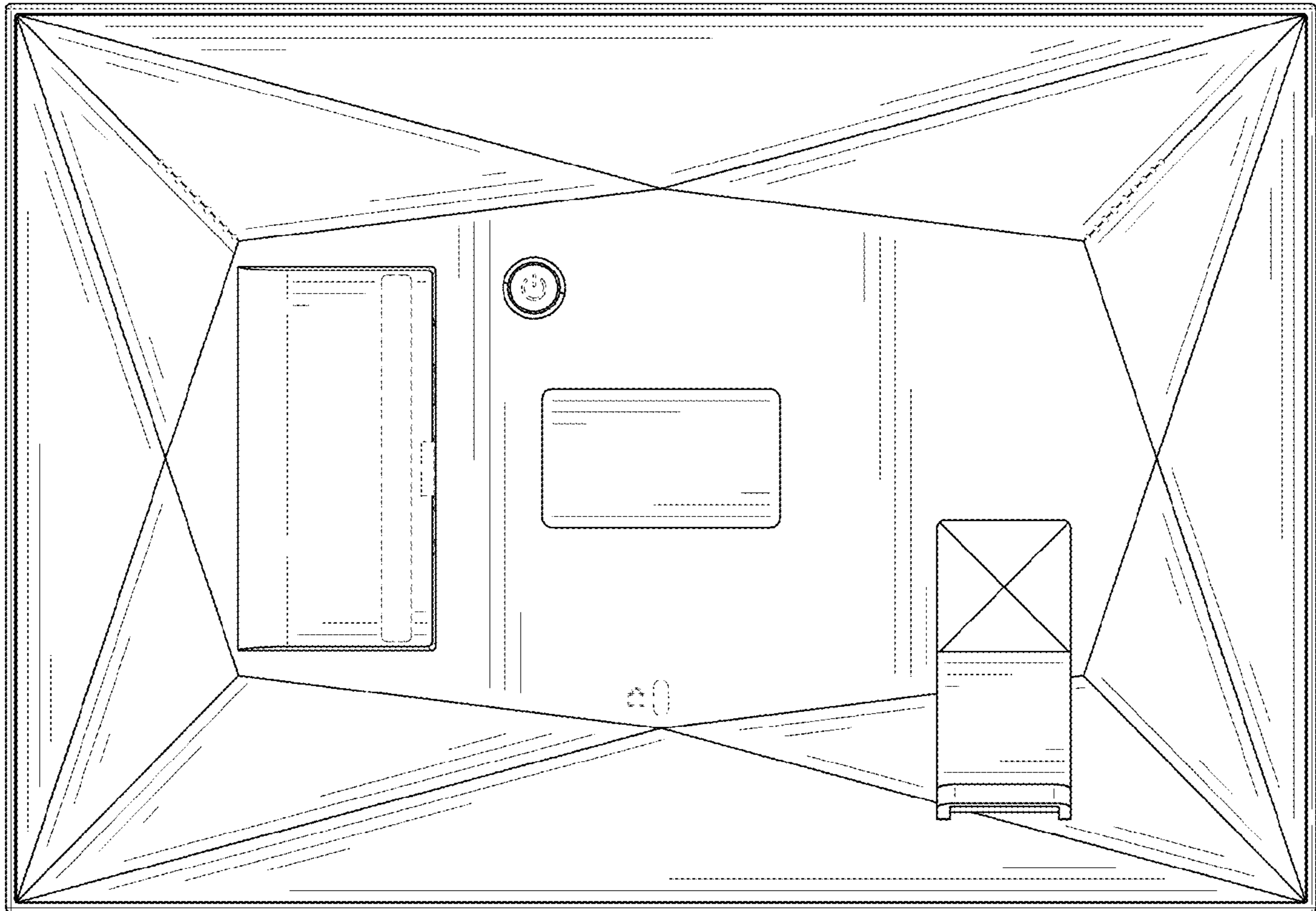


FIG. 4

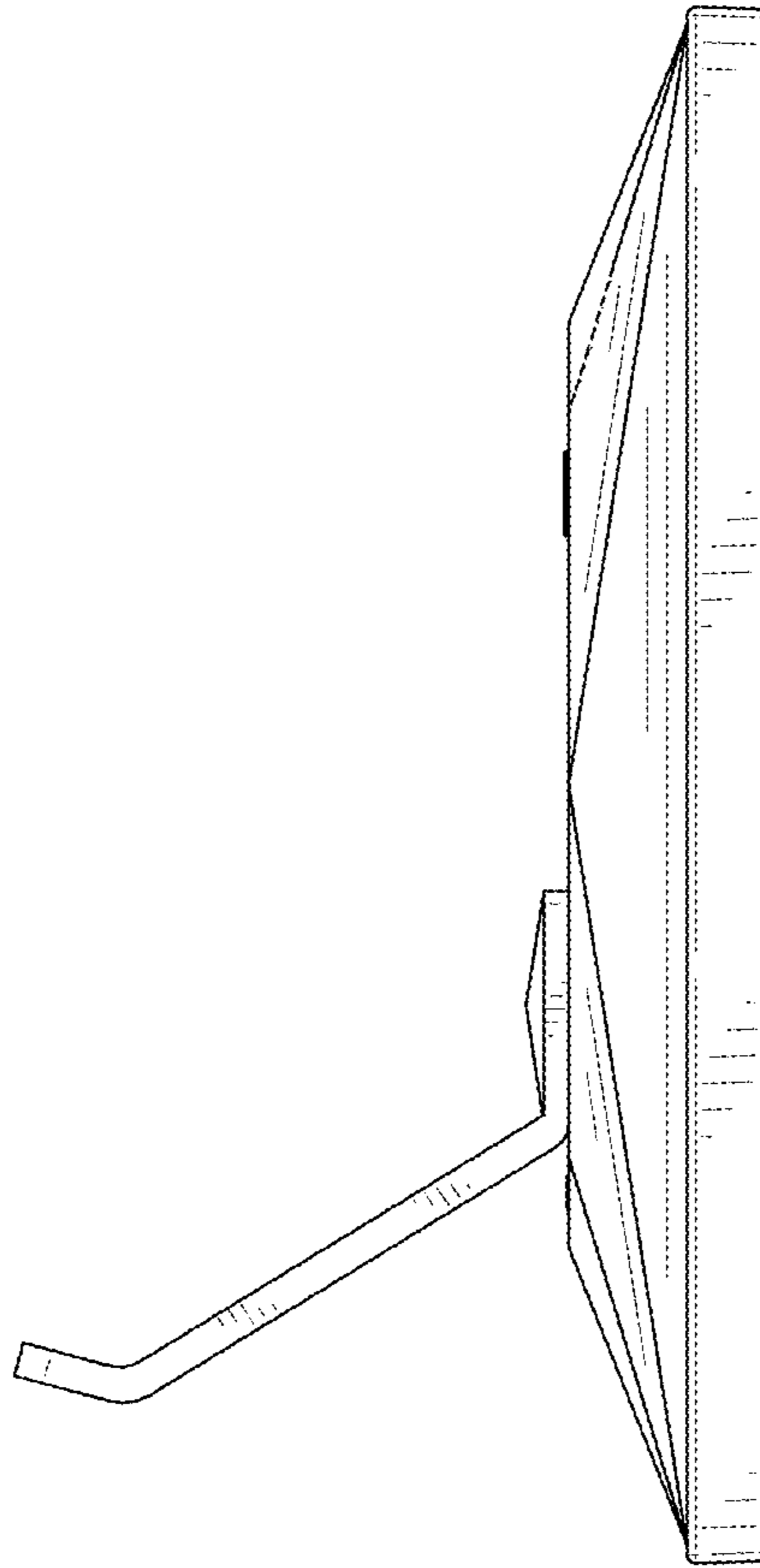


FIG. 5

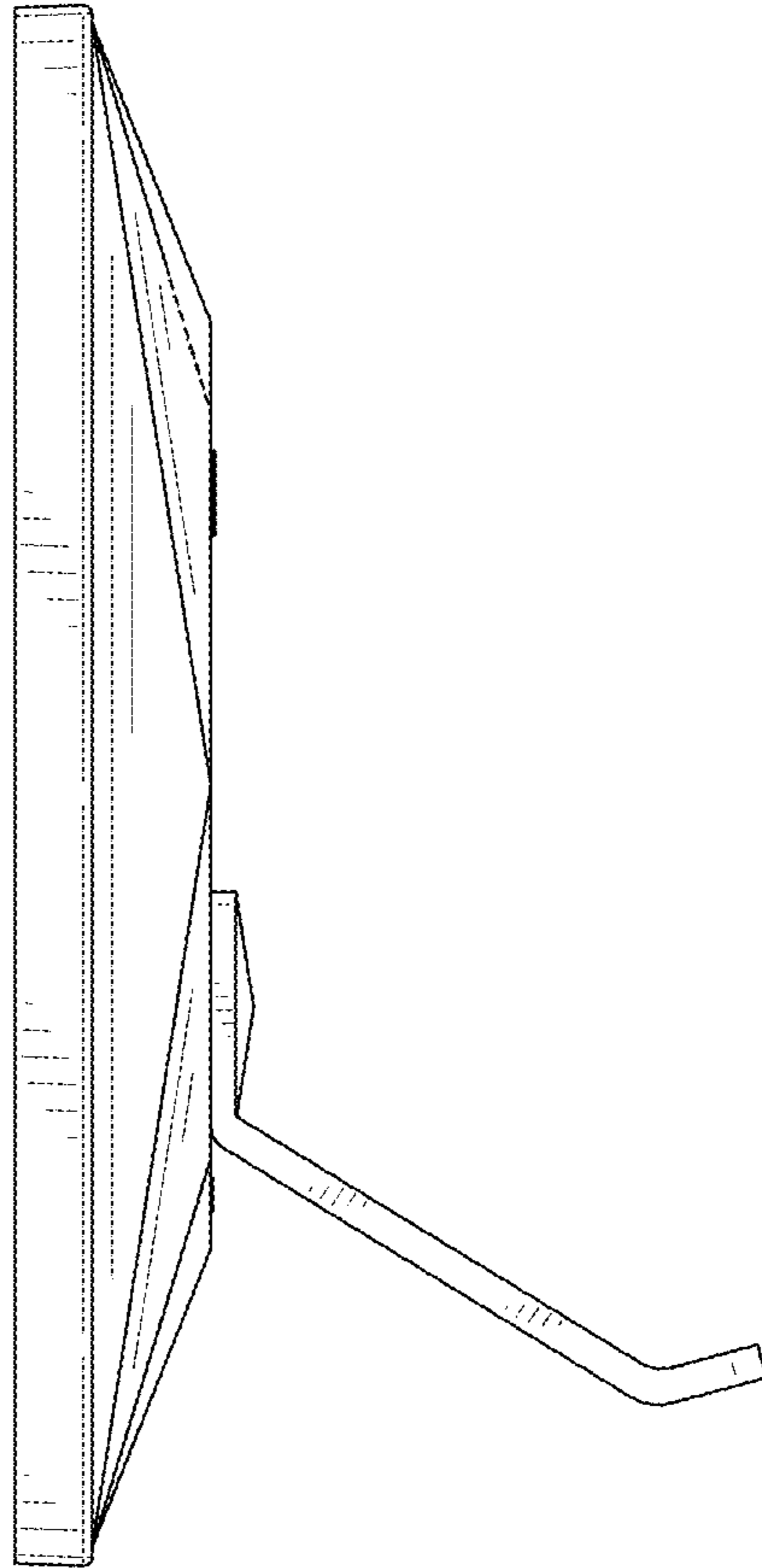


FIG. 6

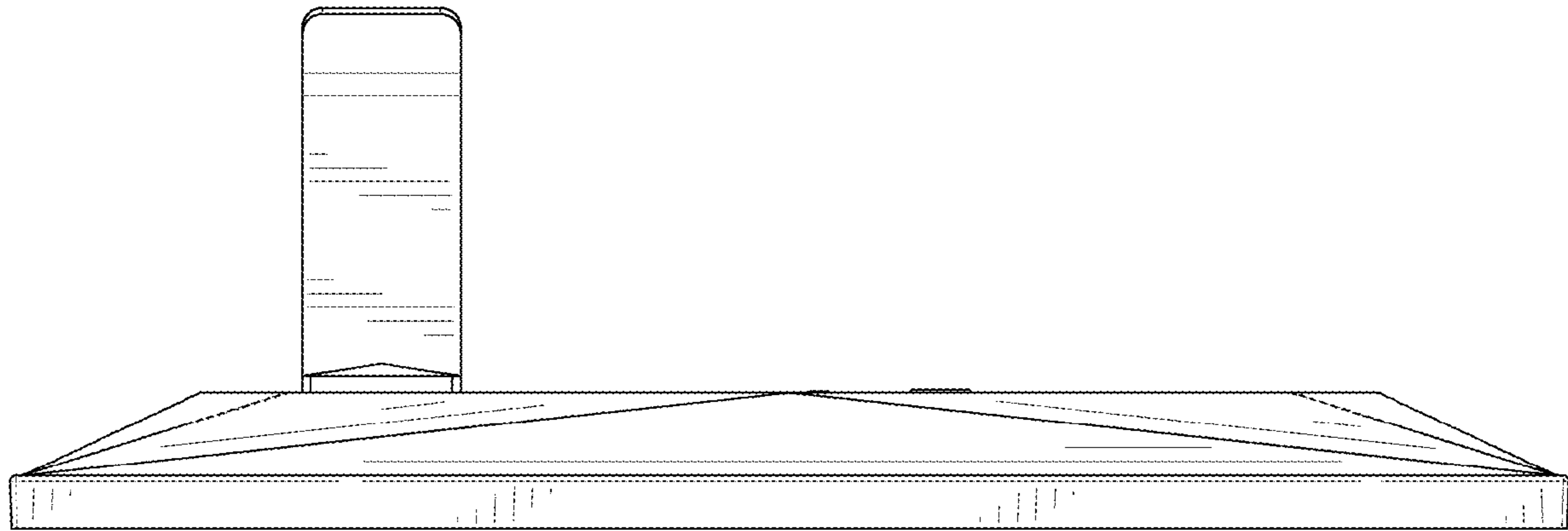


FIG. 7

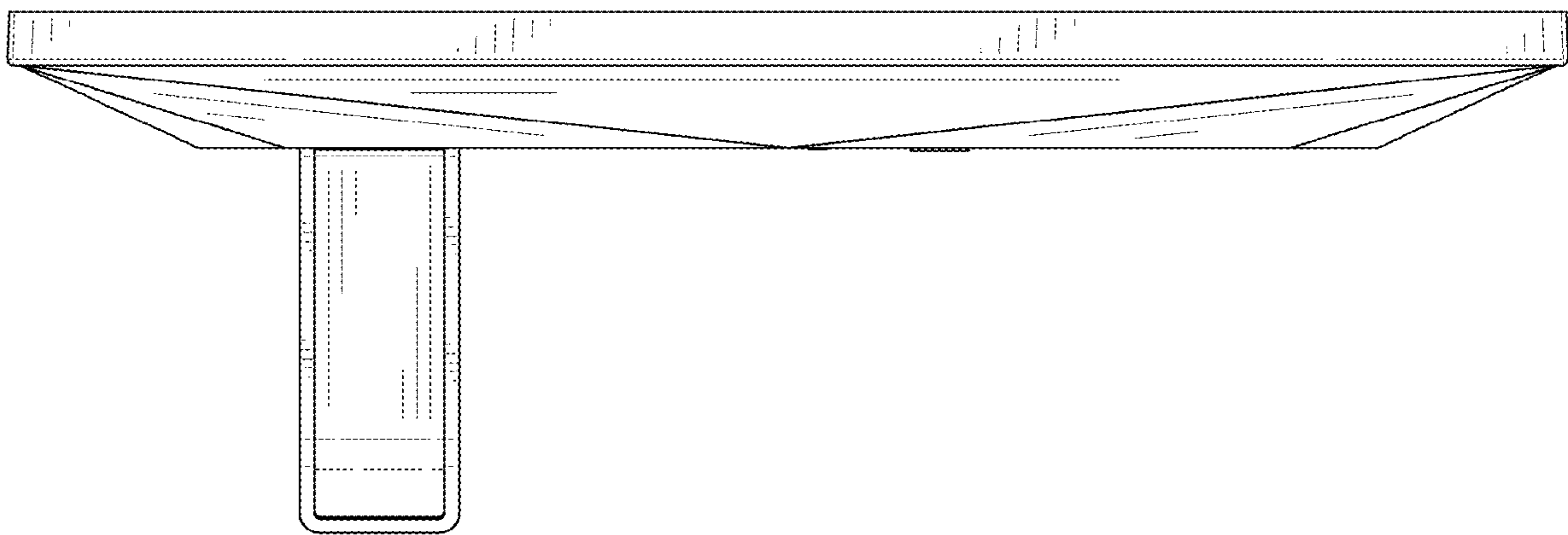


FIG. 8