



US00D878773S

(12) **United States Design Patent**
Gelman

(10) **Patent No.:** **US D878,773 S**

(45) **Date of Patent:** **** Mar. 24, 2020**

(54) **MIRROR**

(71) Applicant: **E&T HORIZONS LIMITED LIABILITY COMPANY**, Melbourne, FL (US)

(72) Inventor: **Eric Gelman**, Melbourne, FL (US)

(73) Assignee: **E&T HORIZONS LIMITED LIABILITY COMPANY**, Melbourne, FL (US)

(**) Term: **15 Years**

(21) Appl. No.: **29/657,876**

(22) Filed: **Jul. 26, 2018**

(51) **LOC (12) Cl.** **06-06**

(52) **U.S. Cl.**
USPC **D6/300**

(58) **Field of Classification Search**
USPC D6/300-314
CPC A47G 1/02; A47G 1/06
See application file for complete search history.

(56) **References Cited**

U.S. PATENT DOCUMENTS

D138,526 S *	8/1944	Spaldo	D6/300
D153,401 S *	4/1949	Swibold	D6/310
D360,078 S *	7/1995	Sarkisian	D6/300
D407,904 S *	4/1999	Zaidman	D6/300
D413,024 S *	8/1999	Wanek	D6/300
D437,693 S *	2/2001	Harwanko	D6/300
D441,545 S *	5/2001	Ungaro	D6/300

D567,514 S *	4/2008	Svendsen	D6/300
D787,201 S *	5/2017	Kraemer	D6/300
D867,029 S *	11/2019	Gelman	D6/657
D867,030 S *	11/2019	Gelman	D6/657
D867,031 S *	11/2019	Gelman	D6/663

* cited by examiner

Primary Examiner — Deanna L Pratt

(74) *Attorney, Agent, or Firm* — Mark Malek; Widerman Malek, PL

(57) **CLAIM**

The ornamental design for a mirror, as shown and described.

DESCRIPTION

FIG. 1 is a front perspective view of a mirror according to the present invention.

FIG. 2 is a front elevation view of the mirror illustrated in FIG. 1.

FIG. 3 is a rear elevation view of the mirror illustrated in FIG. 1.

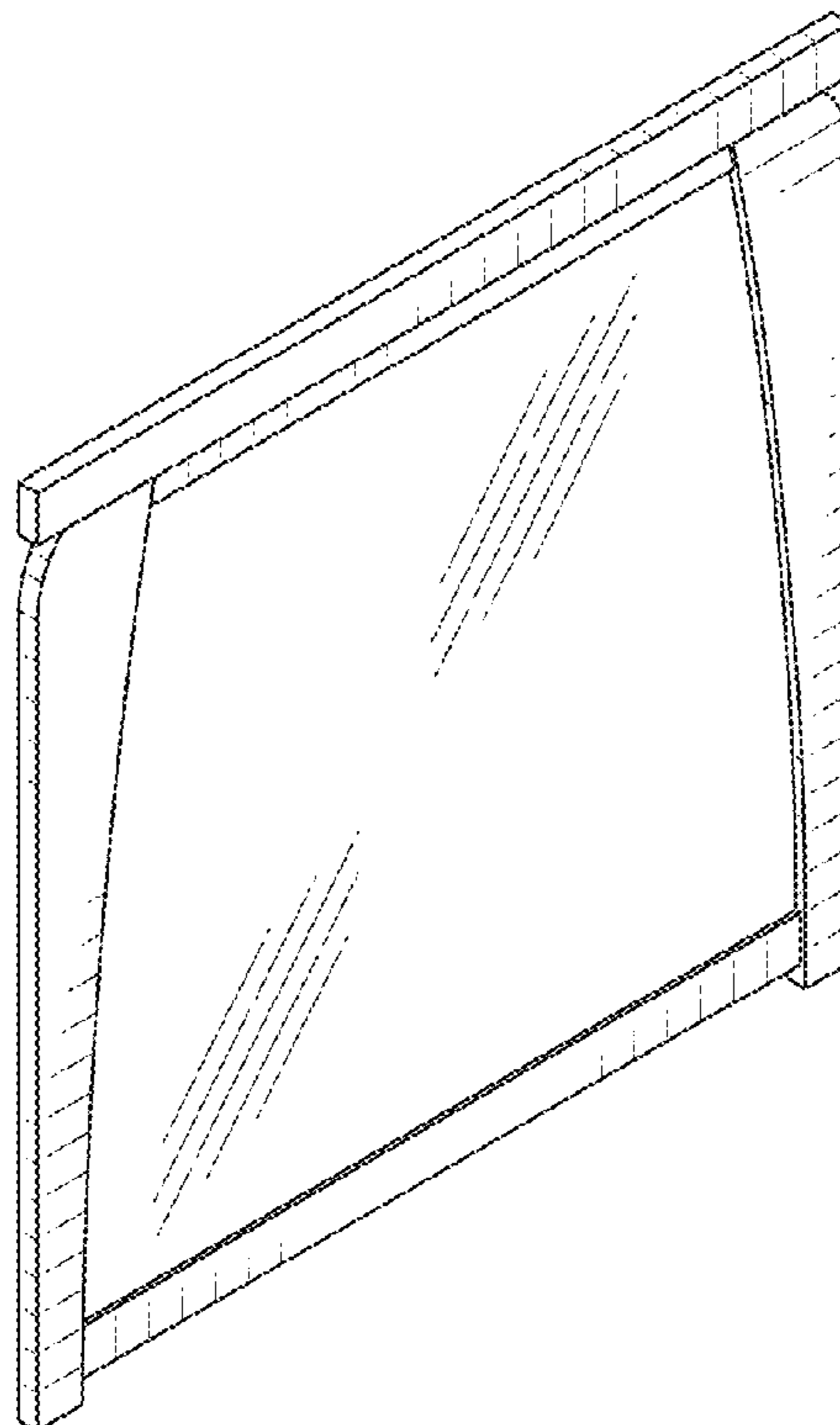
FIG. 4 is a side elevation view of the mirror illustrated in FIG. 1.

FIG. 5 is another side elevation view of the mirror illustrated in FIG. 1.

FIG. 6 is a top plan view of the mirror illustrated in FIG. 1; and,

FIG. 7 is a bottom plan view of the mirror illustrated in FIG. 1.

1 Claim, 3 Drawing Sheets



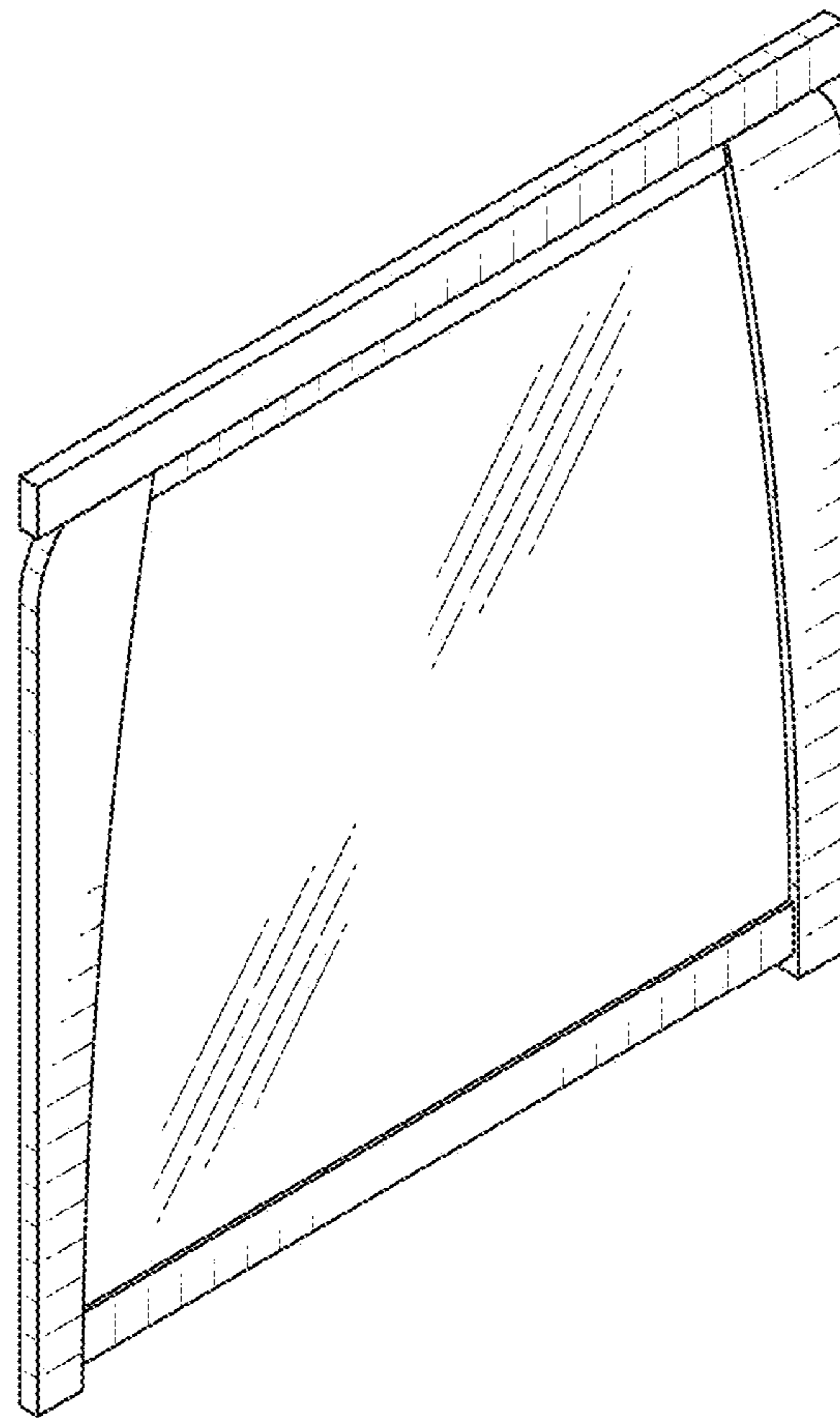


FIG. 1

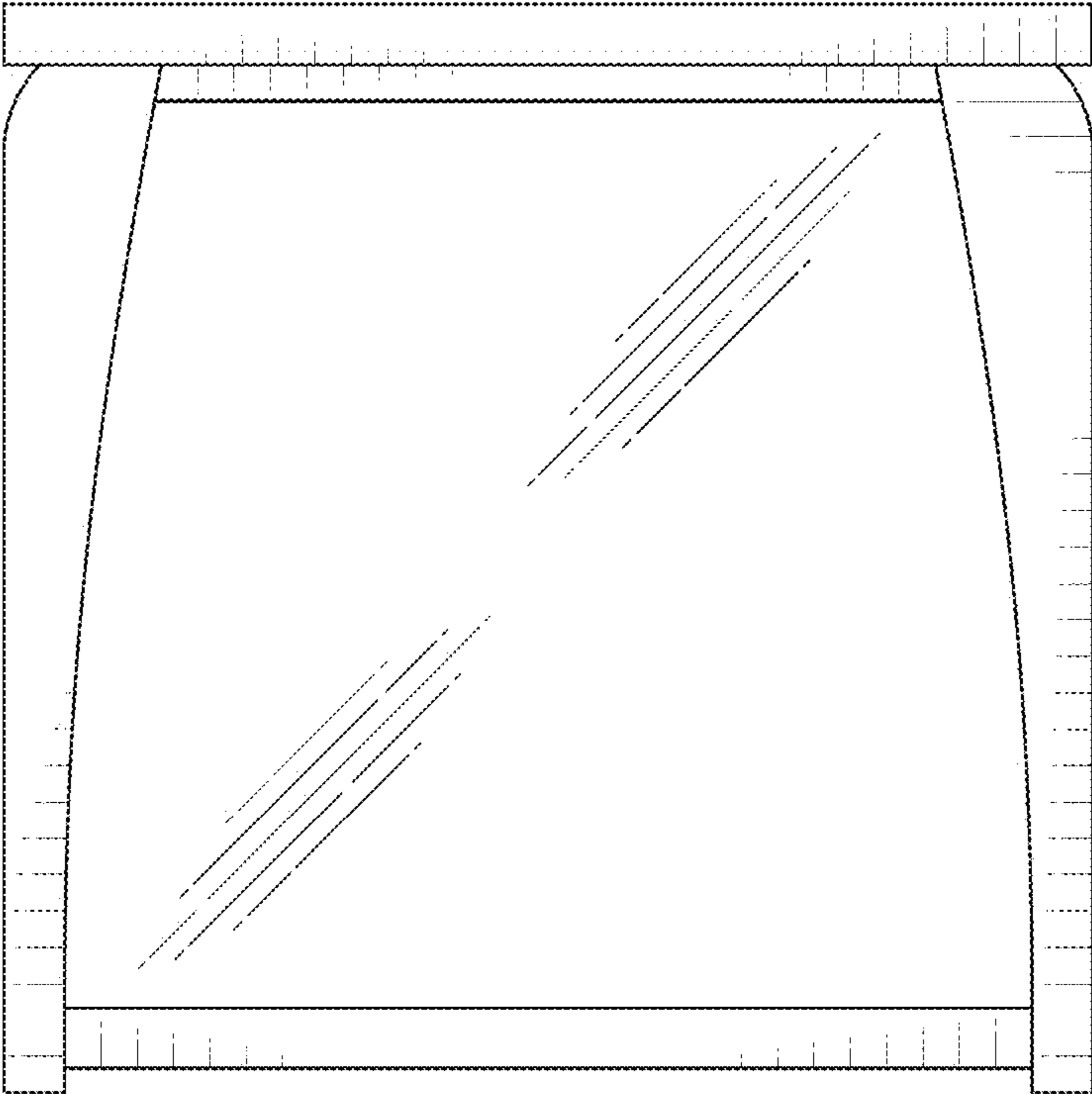


FIG. 2

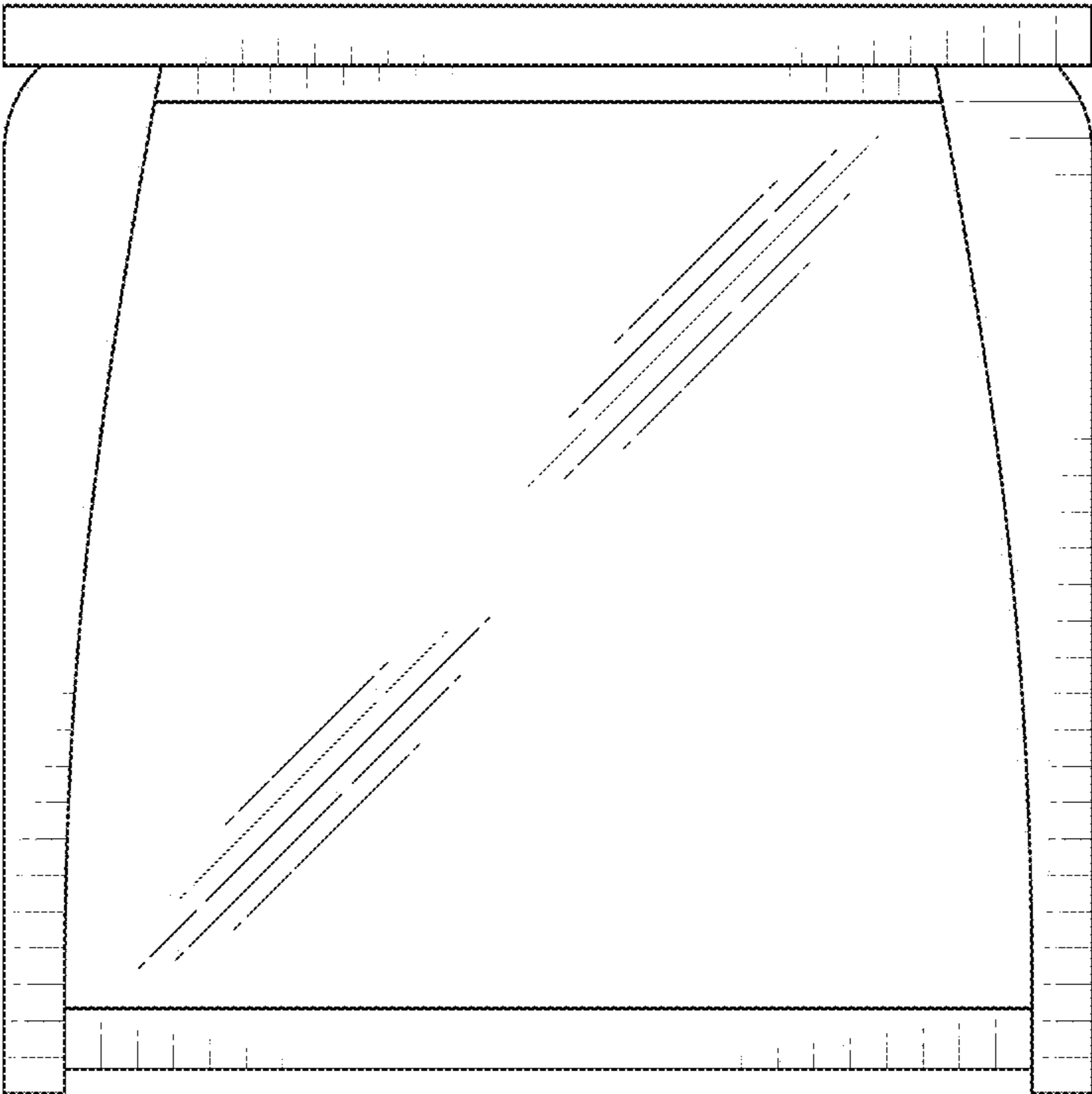


FIG. 3



FIG. 4



FIG. 5

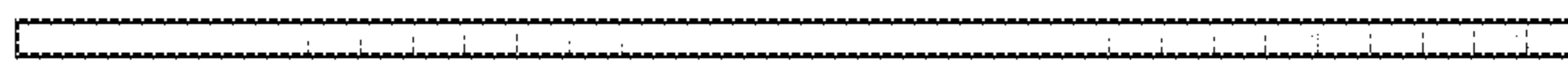


FIG. 6



FIG. 7