



US00D878772S

(12) **United States Design Patent**
Gelman

(10) **Patent No.:** **US D878,772 S**

(45) **Date of Patent:** **** Mar. 24, 2020**

(54) **MIRROR**

(71) Applicant: **E&T HORIZONS LIMITED**
LIABILITY COMPANY, Melbourne,
FL (US)

(72) Inventor: **Eric Gelman**, Melbourne, FL (US)

(73) Assignee: **E&T HORIZONS LIMITED**
LIABILITY COMPANY, Melbourne,
FL (US)

(**) Term: **15 Years**

(21) Appl. No.: **29/657,764**

(22) Filed: **Jul. 25, 2018**

(51) **LOC (12) Cl.** **06-06**

(52) **U.S. Cl.**
USPC **D6/300**

(58) **Field of Classification Search**
USPC D6/300-314
CPC A47G 1/02; A47G 1/06
See application file for complete search history.

(56) **References Cited**

U.S. PATENT DOCUMENTS

D409,392 S * 5/1999 Walters, III D6/300
D455,906 S * 4/2002 O'Hare D6/300

D465,095 S * 11/2002 Clark D6/300
D474,615 S * 5/2003 Harris D6/300
D558,459 S * 1/2008 Hoernig D6/300
D644,844 S * 9/2011 LeMay D6/300
D865,373 S * 11/2019 Altemimei D6/300

* cited by examiner

Primary Examiner — Deanna L Pratt

(74) *Attorney, Agent, or Firm* — Mark Malek; Widerman
Malek, PL

(57) **CLAIM**

The ornamental design for a mirror, as shown and described.

DESCRIPTION

FIG. 1 is a front perspective view of a mirror according to the present invention.

FIG. 2 is a front elevation view of the mirror illustrated in FIG. 1.

FIG. 3 is a rear elevation view of the mirror illustrated in FIG. 1.

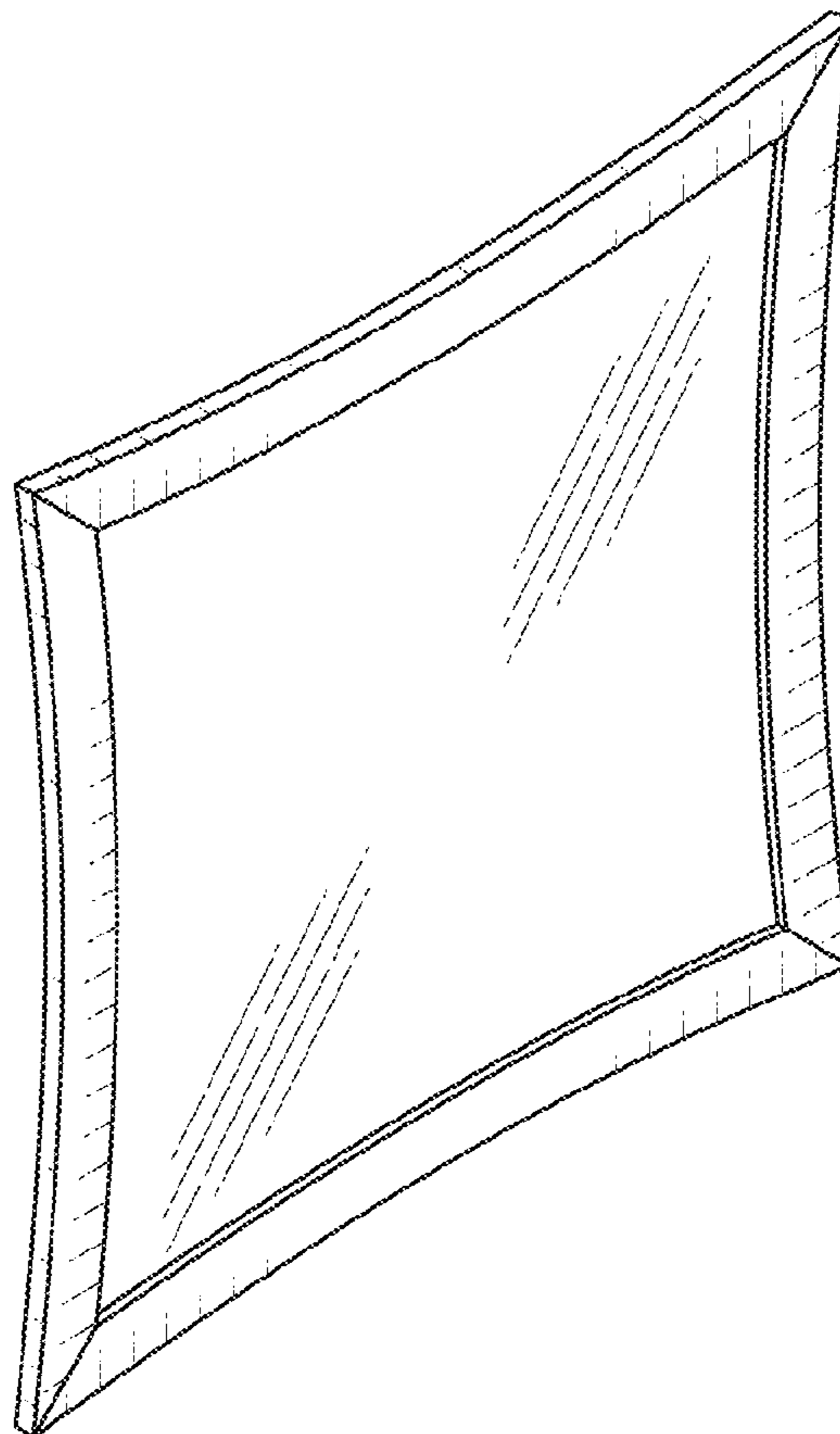
FIG. 4 is a side elevation view of the mirror illustrated in FIG. 1.

FIG. 5 is another side elevation view of the mirror illustrated in FIG. 1.

FIG. 6 is a top plan view of the mirror illustrated in FIG. 1; and,

FIG. 7 is a bottom plan view of the mirror illustrated in FIG. 1.

1 Claim, 3 Drawing Sheets



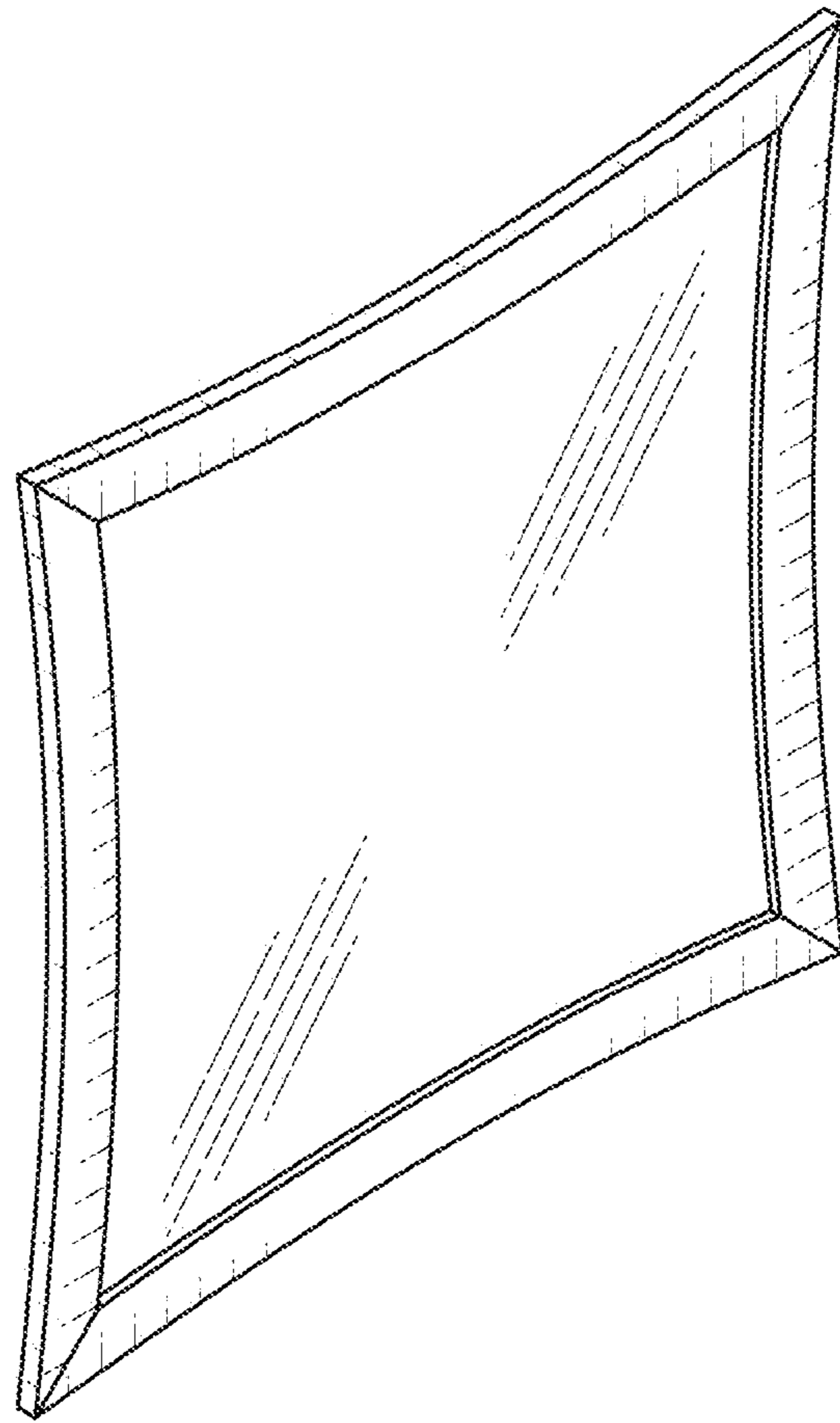


FIG. 1

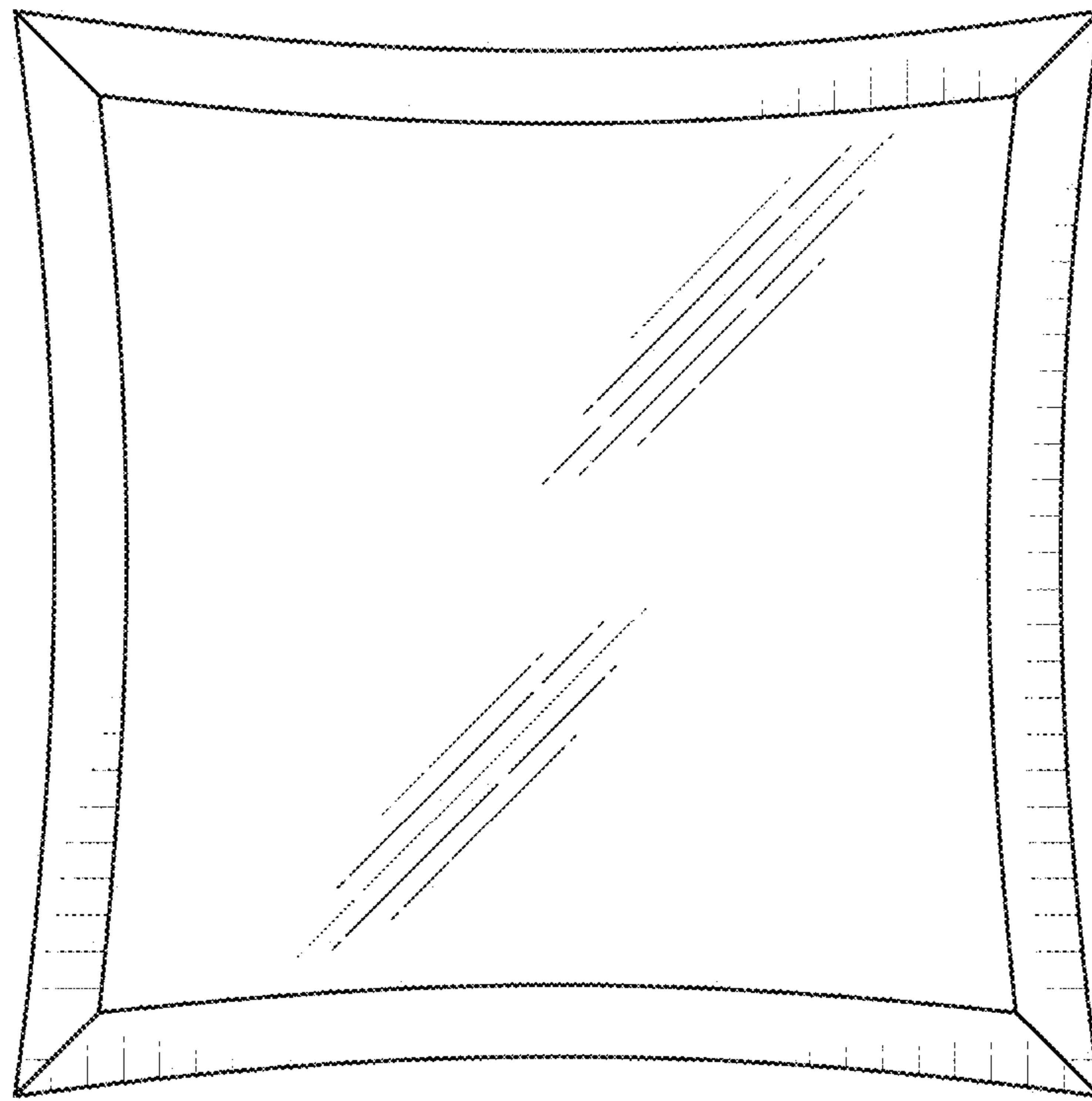


FIG. 2

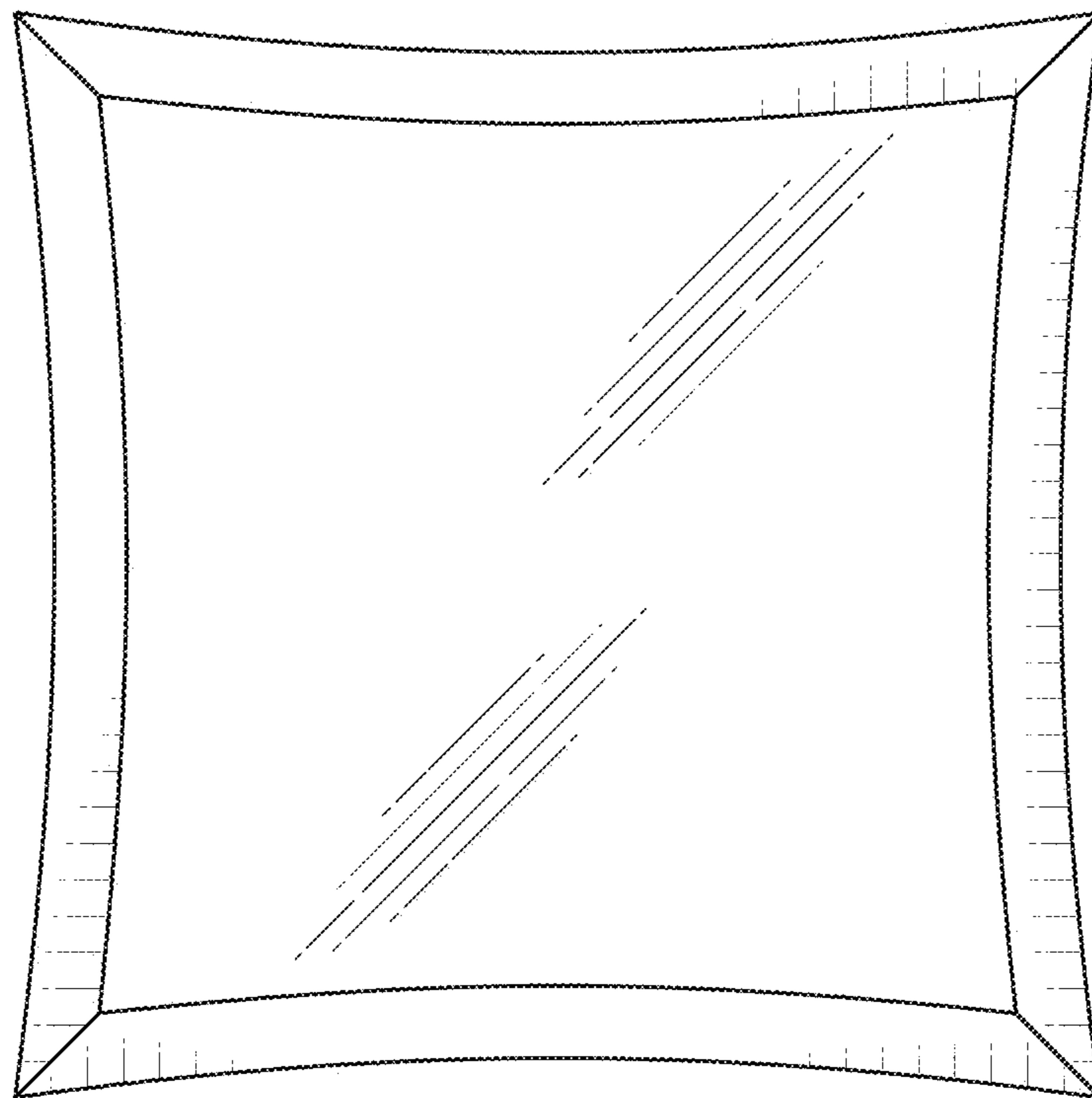


FIG. 3



FIG. 4



FIG. 5

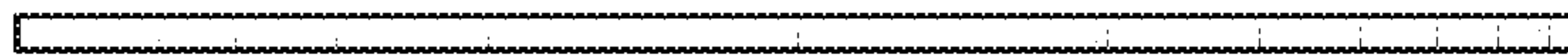


FIG. 6

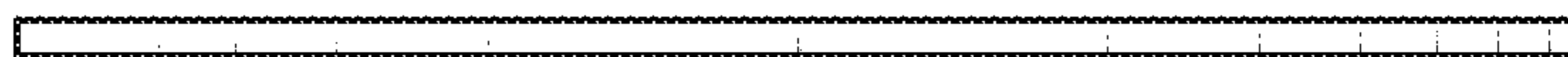


FIG. 7