



US00D878766S

(12) **United States Design Patent** (10) **Patent No.:** **US D878,766 S**
To (45) **Date of Patent:** **** Mar. 24, 2020**

(54) **TOOTHBRUSH**

(71) Applicant: **World Wide Daily Holdings Company Limited**, New Territories, Hong Kong (CN)

(72) Inventor: **Chun Yuen To**, N.T. Hong Kong (CN)

(73) Assignee: **World Wide Daily Holdings Company Limited**, Kwai Chung, New Territories (HK)

(**) Term: **15 Years**

(21) Appl. No.: **29/653,890**

(22) Filed: **Jun. 19, 2018**

(30) **Foreign Application Priority Data**

Dec. 21, 2017 (CN) 2017 3 0657872

(51) **LOC (12) Cl.** **04-02**

(52) **U.S. Cl.**
USPC **D4/104**

(58) **Field of Classification Search**
USPC D4/101, 104, 105, 106, 107, 108, 109,
D4/110, 111, 112, 113, 138, 199; 15/110
(Continued)

(56) **References Cited**

U.S. PATENT DOCUMENTS

1,353,780 A 9/1920 Mueller
1,452,108 A 4/1923 Carter
(Continued)

FOREIGN PATENT DOCUMENTS

CN 201315965 Y 9/2009
CN 301517887 S 4/2011
(Continued)

OTHER PUBLICATIONS

International Search Report and Written Opinion dated Sep. 13, 2018 in related International application PCT/CN2017/117704, 12 pages.

(Continued)

Primary Examiner — Karen E Eldridge Powers

(74) *Attorney, Agent, or Firm* — Stinson LLP

(57) **CLAIM**

The ornamental design for a toothbrush, as shown and described.

DESCRIPTION

FIG. 1 is a perspective view of a first embodiment of a toothbrush;

FIG. 2 is an enlarged fragmentary view of the toothbrush in FIG. 1;

FIG. 3 is a front elevation view of the toothbrush;

FIG. 4 is a top plan view of the toothbrush;

FIG. 5 is a rear elevation view of the toothbrush;

FIG. 6 is a bottom plan view of the toothbrush;

FIG. 7 is an enlarged right side elevation view of the toothbrush;

FIG. 8 is an enlarged left side elevation of the toothbrush;

FIG. 9 is a perspective view of a second embodiment of a toothbrush;

FIG. 10 is an enlarged fragmentary view of the toothbrush in FIG. 9;

FIG. 11 is a front elevation view of the toothbrush illustrated in FIG. 9;

FIG. 12 is a top plan view of the toothbrush illustrated in FIG. 9;

FIG. 13 is a rear elevation view of the toothbrush illustrated in FIG. 9;

FIG. 14 is a bottom plan view of the toothbrush illustrated in FIG. 9;

FIG. 15 is an enlarged right side elevation view of the toothbrush illustrated in FIG. 9;

FIG. 16 is an enlarged left side elevation of the toothbrush illustrated in FIG. 9;

FIG. 17 is a perspective view of a third embodiment of a toothbrush;

FIG. 18 is an enlarged fragmentary view of the toothbrush in FIG. 17;

FIG. 19 is a front elevation view of the toothbrush illustrated in FIG. 17;

FIG. 20 is a top plan view of the toothbrush illustrated in FIG. 17;

(Continued)

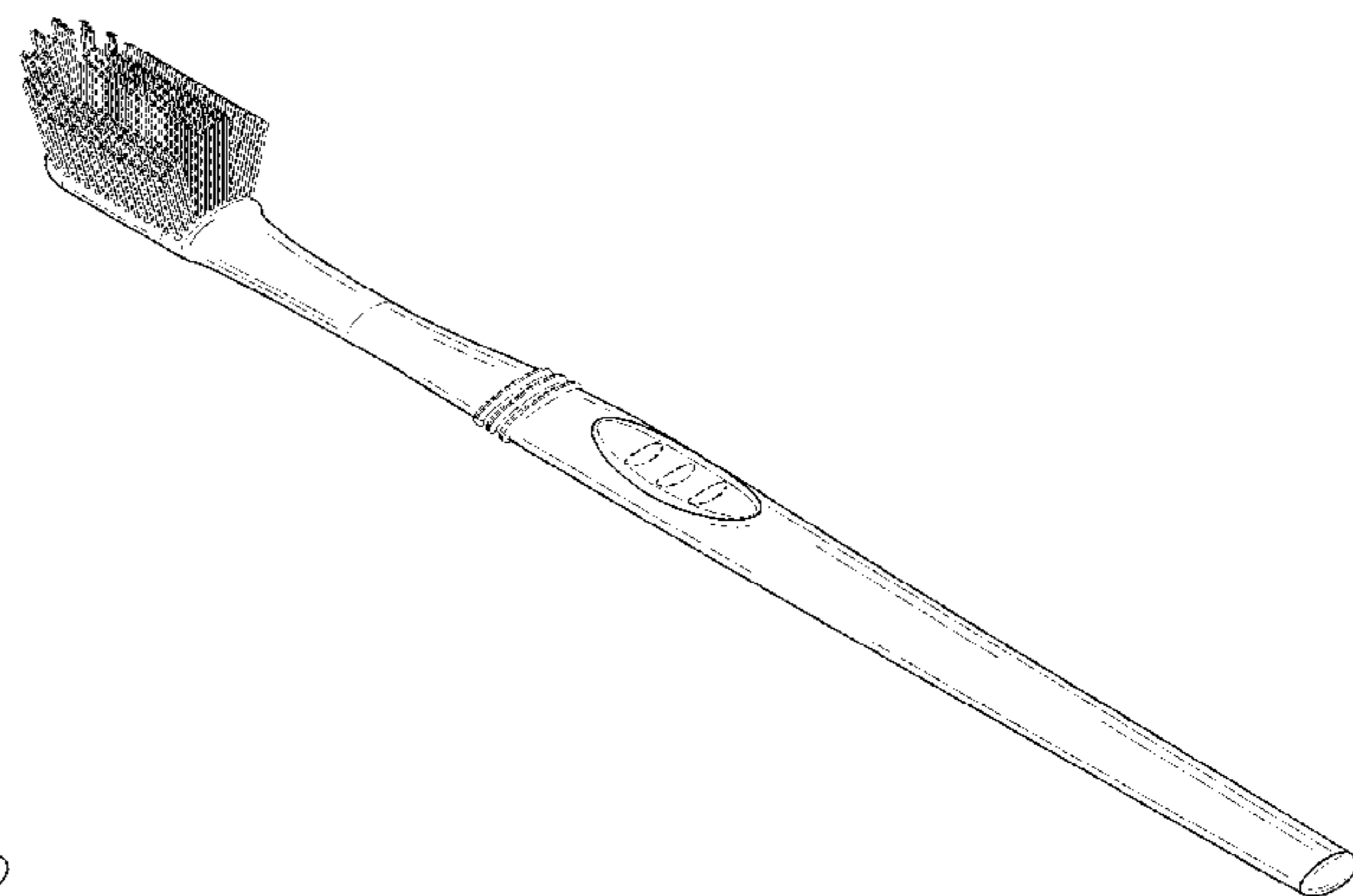
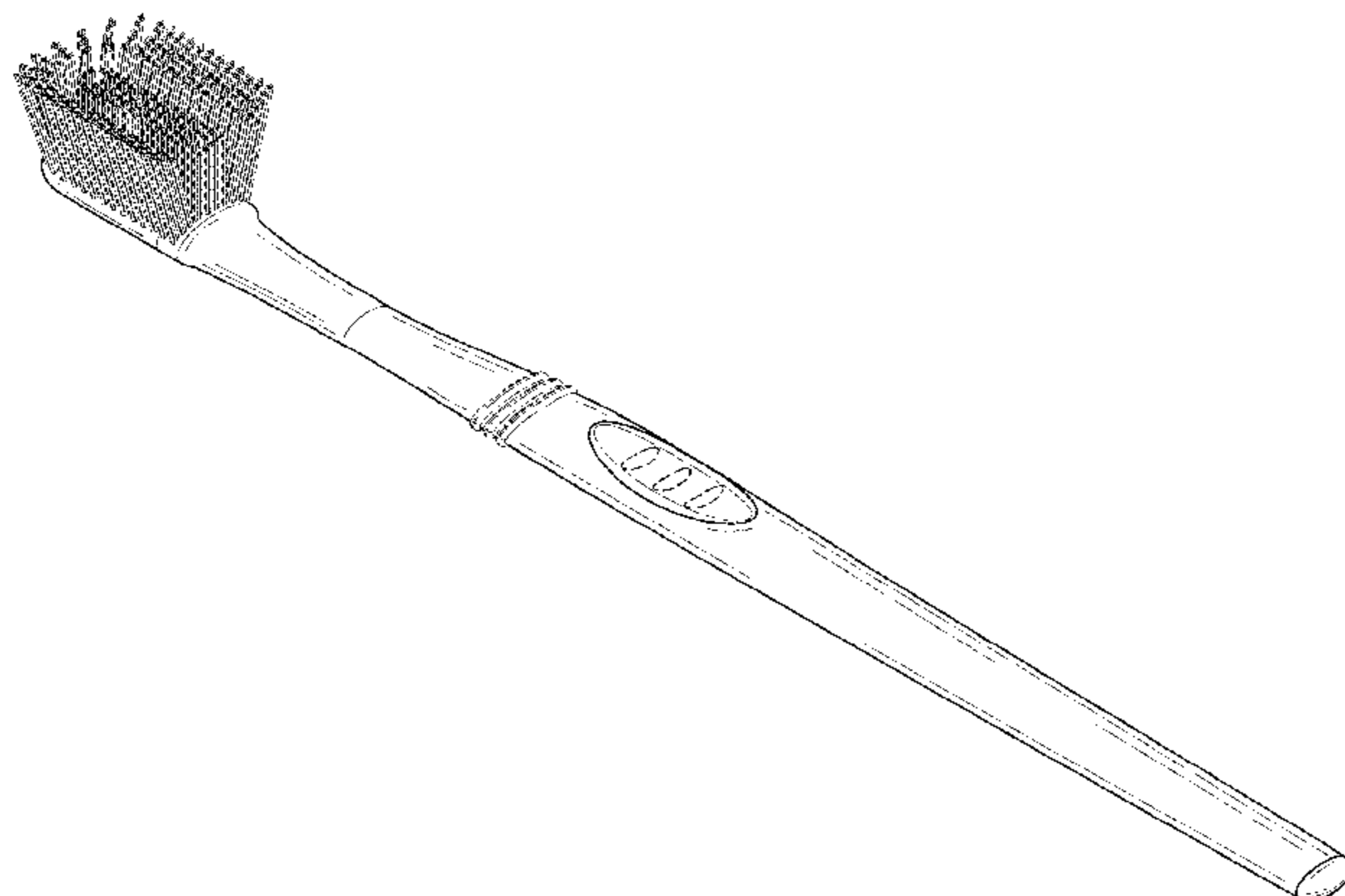


FIG. 21 is a rear elevation view of the toothbrush illustrated in FIG. 17;

FIG. 22 is a bottom plan view of the toothbrush illustrated in FIG. 17;

FIG. 23 is an enlarged right side elevation view of the toothbrush illustrated in FIG. 17; and,

FIG. 24 is an enlarged left side elevation of the toothbrush illustrated in FIG. 17.

1 Claim, 21 Drawing Sheets

(58) **Field of Classification Search**

CPC A46B 3/00; A46B 9/02; A46B 9/04; A46B 2200/1066; A46B 2200/1073; A46B 2200/1086

See application file for complete search history.

(56) **References Cited**

U.S. PATENT DOCUMENTS

1,900,326	A	3/1933	Beresford	
D140,438	S *	2/1945	Cohen	D4/104
2,706,825	A	4/1955	Blakeman	
4,010,509	A *	3/1977	Huish	A46B 9/045 15/167.1
4,274,174	A *	6/1981	Ertel	A46B 5/02 15/143.1
5,355,546	A	10/1994	Scheier et al.	
5,392,483	A *	2/1995	Heinzelman	A46B 9/04 15/167.1
5,511,275	A *	4/1996	Volpenhein	A46B 9/04 15/167.1
D372,363	S *	8/1996	Halm	D4/104
5,544,383	A	8/1996	Gamble	
5,570,487	A	11/1996	Schneider	
D402,116	S *	12/1998	Magloff	D4/104
D402,117	S *	12/1998	Fleming	D4/104
5,881,425	A	3/1999	Hudson et al.	
5,908,038	A *	6/1999	Bennett	A46B 1/00 132/308
6,088,869	A *	7/2000	Kaneda	A46B 3/16 15/110
D434,565	S *	12/2000	Bojar	D4/112
D443,142	S *	6/2001	Harada	D4/104
D444,629	S *	7/2001	Etter	D4/104
D446,941	S *	8/2001	Kraemer	D4/111

6,357,073	B1 *	3/2002	Yue	A46B 5/0075 15/167.1
6,493,897	B2 *	12/2002	Culbreth	A46B 9/04 15/167.1
6,496,999	B1 *	12/2002	Gleason	A46B 9/045 15/167.1
6,851,153	B2 *	2/2005	Lehman	A46B 9/026 15/167.1
7,036,179	B1 *	5/2006	Wehrauch	A46B 3/20 15/167.1
D579,664	S *	11/2008	Fisher	D4/101
8,151,397	B2 *	4/2012	Moskovich	A46B 5/0025 15/201
8,813,292	B2	8/2014	Driesen et al.	
9,210,995	B2 *	12/2015	Su	A46B 3/00
9,357,837	B2	6/2016	Henderson et al.	
9,603,441	B2 *	3/2017	Waguespack	A46B 5/021
10,098,447	B2 *	10/2018	Newman	A46B 9/06
2002/0004964	A1 *	1/2002	Luchino	A46B 3/00 15/167.1
2014/0033457	A1	2/2014	Brown, Jr. et al.	

FOREIGN PATENT DOCUMENTS

CN	301555648	S	5/2011
CN	301569353	S	6/2011
CN	301956120	S	6/2012
CN	204071021	U	1/2015
CN	303593067	S	2/2016
CN	303722882	S	6/2016
CN	304272841	S	9/2017
CN	304701695	S	6/2018
JP	1537381	S	11/2015
KR	300293393	S	3/2002
KR	300531343	S	6/2009
KR	2020170003690	U	10/2017
KR	2020170003692	U	10/2017
WO	2010069919	A1	6/2010
WO	2011084116	A1	7/2011
WO	2014197292	A1	12/2014
WO	2015042316	A1	3/2015
WO	WO-2019/119344	A1 *	6/2019

OTHER PUBLICATIONS

International Search Report and Written Opinion dated Dec. 29, 2018 in related International application PCT/CN2018/109457, 15 pages.
Office Action dated Nov. 29, 2018 in related Pakistan Patent Application 19385-D/2018, 1 page.

* cited by examiner

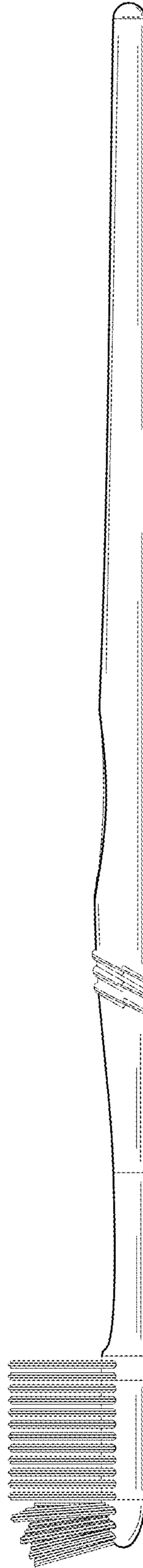


FIG. 1



FIG. 2

FIG. 3



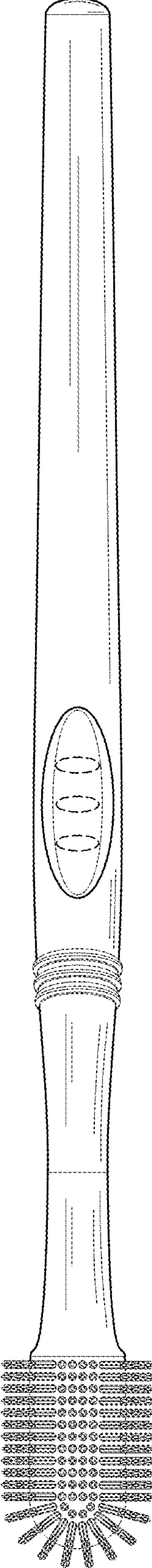


FIG. 4

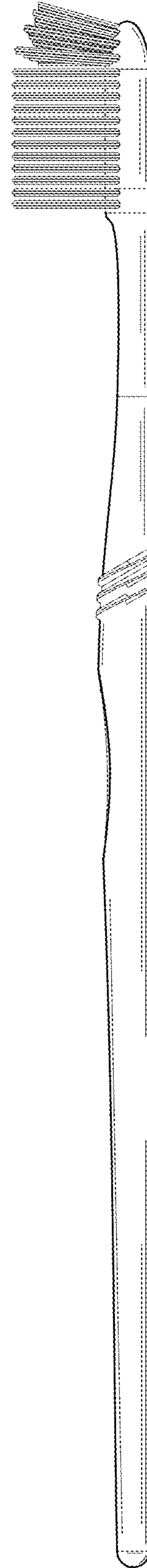


FIG. 5

FIG. 6

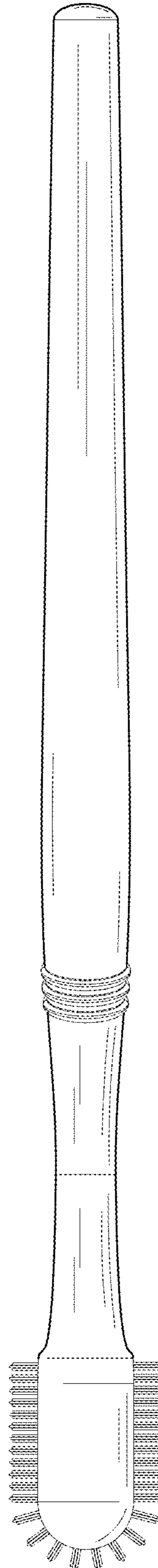


FIG. 7

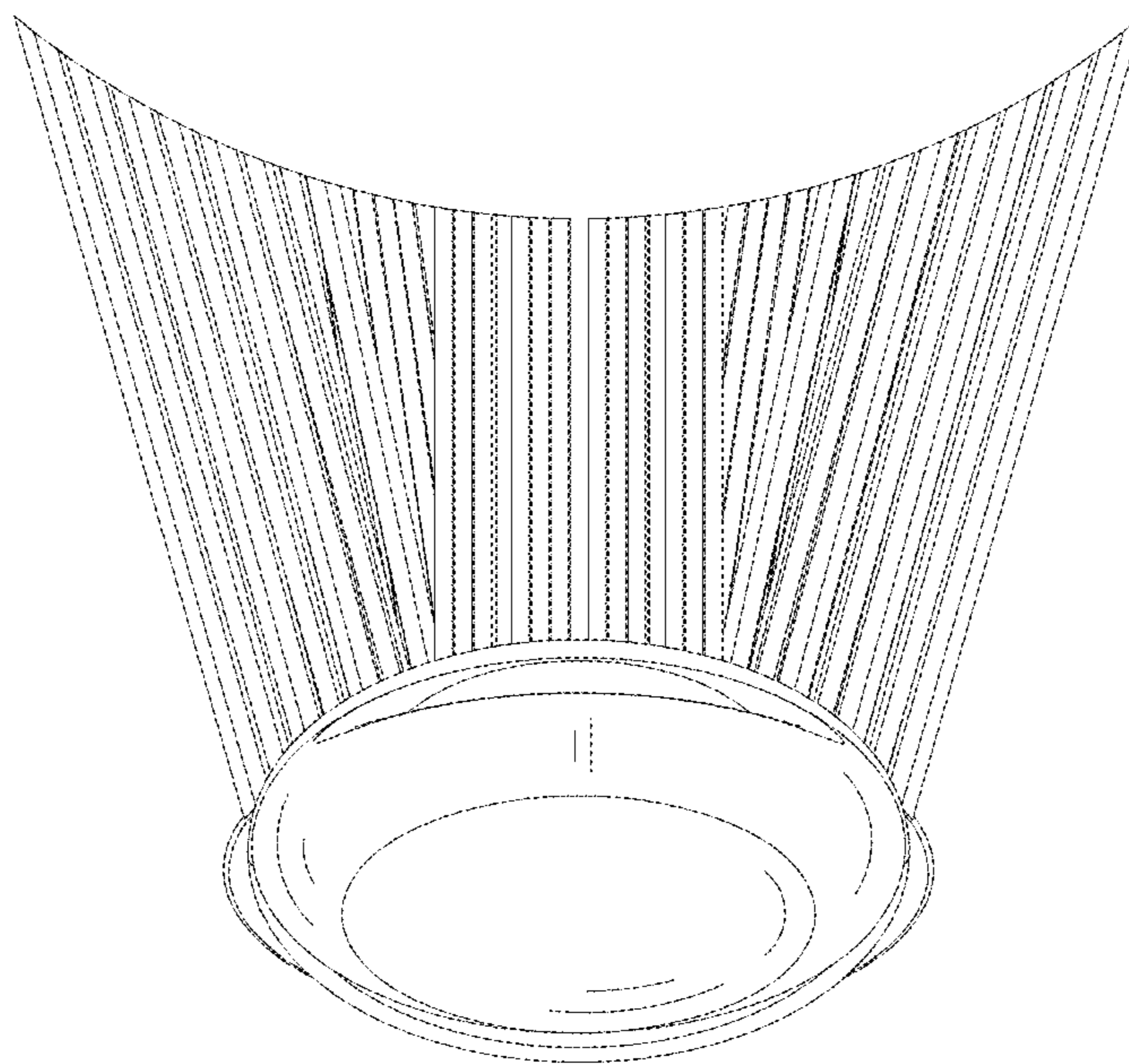


FIG. 8

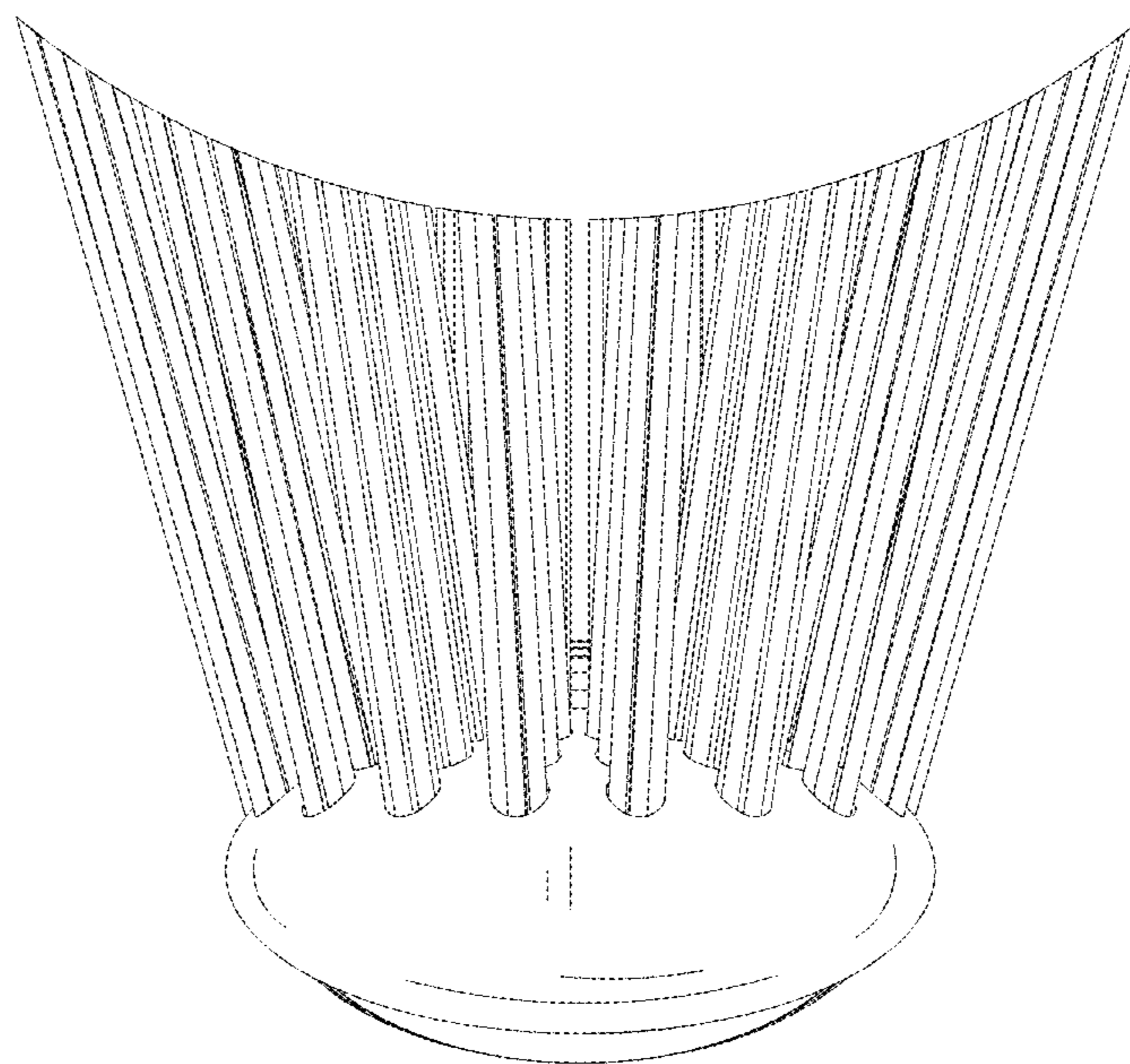




FIG. 9

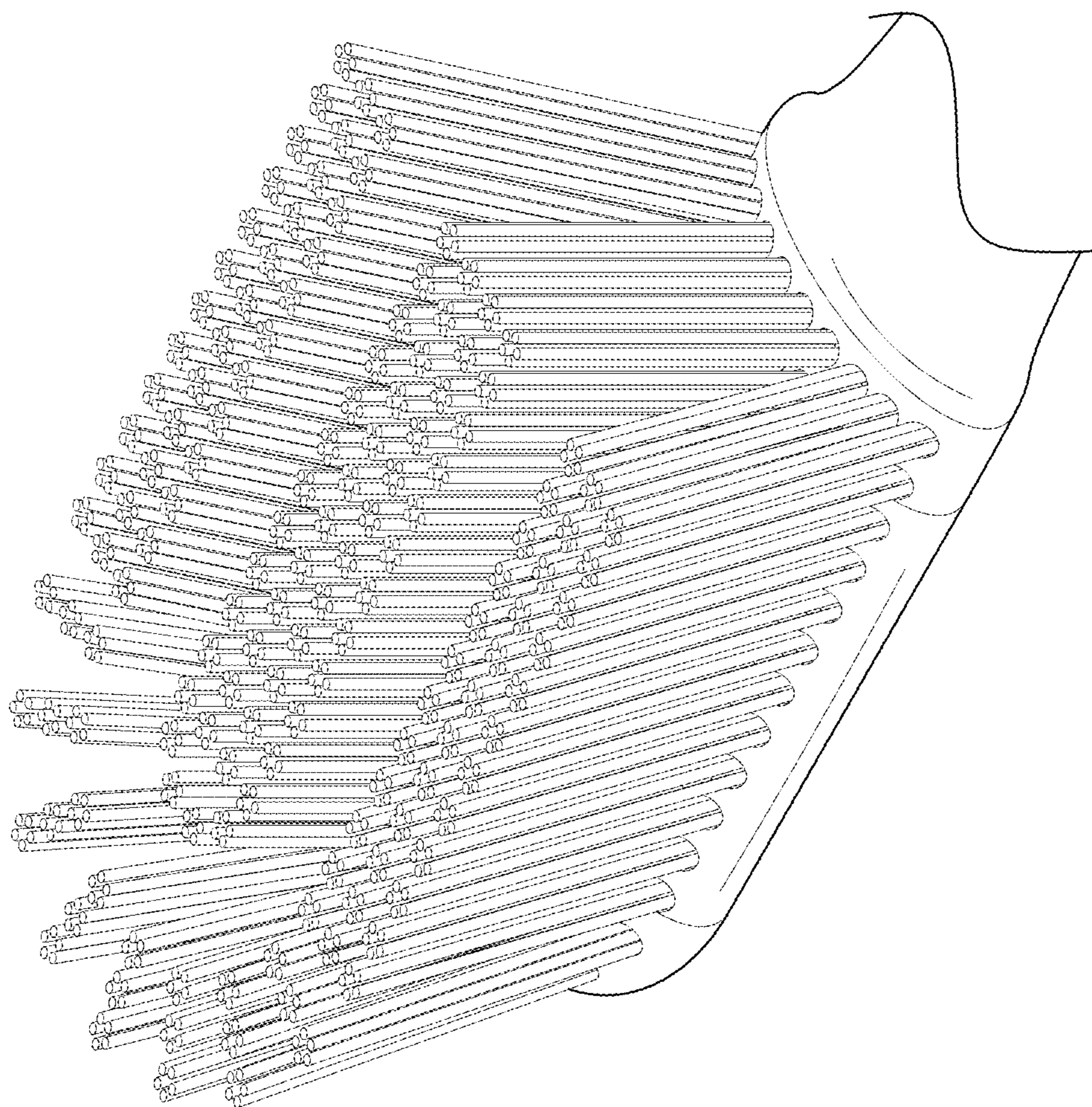


FIG. 10

FIG. 11

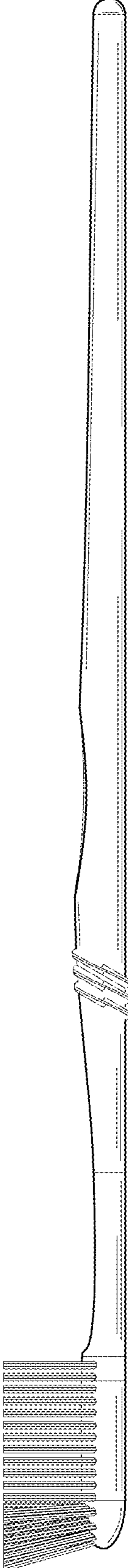
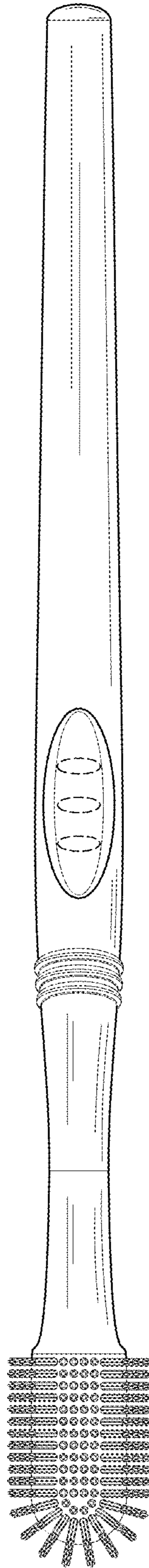


FIG. 12



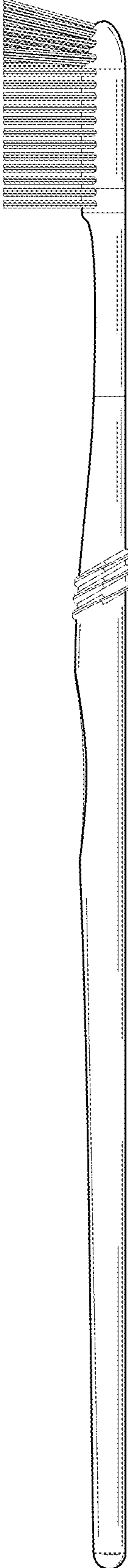


FIG. 13

FIG. 14

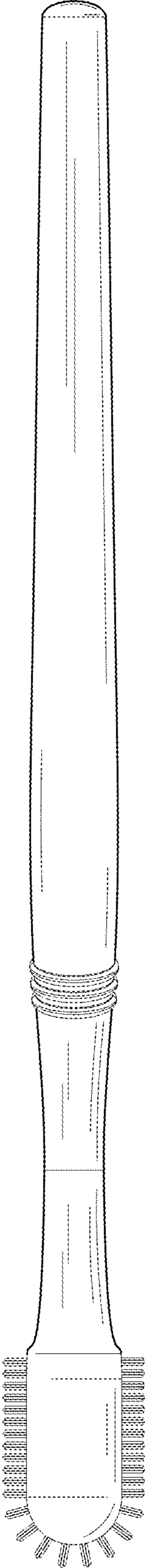


FIG. 15

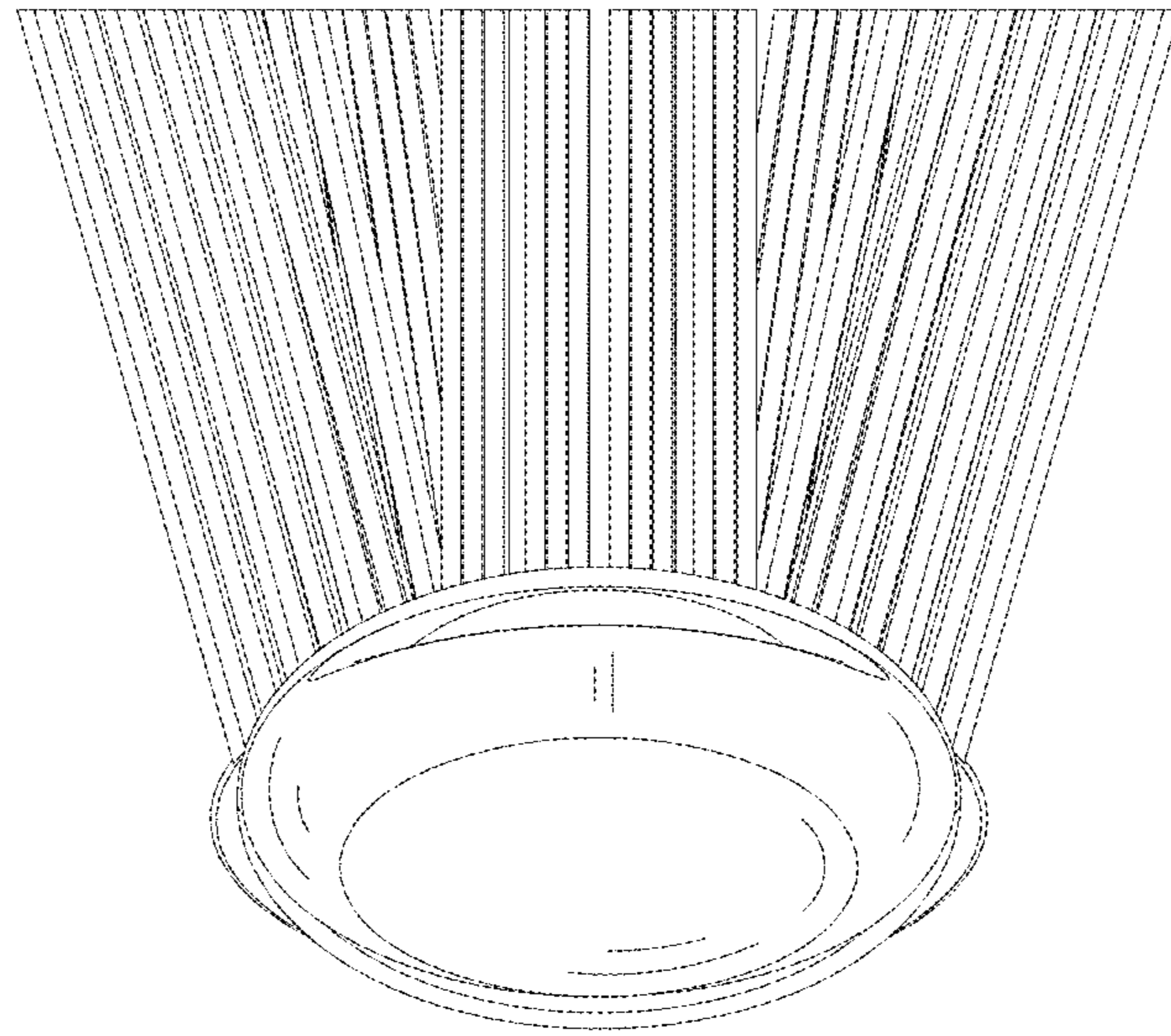
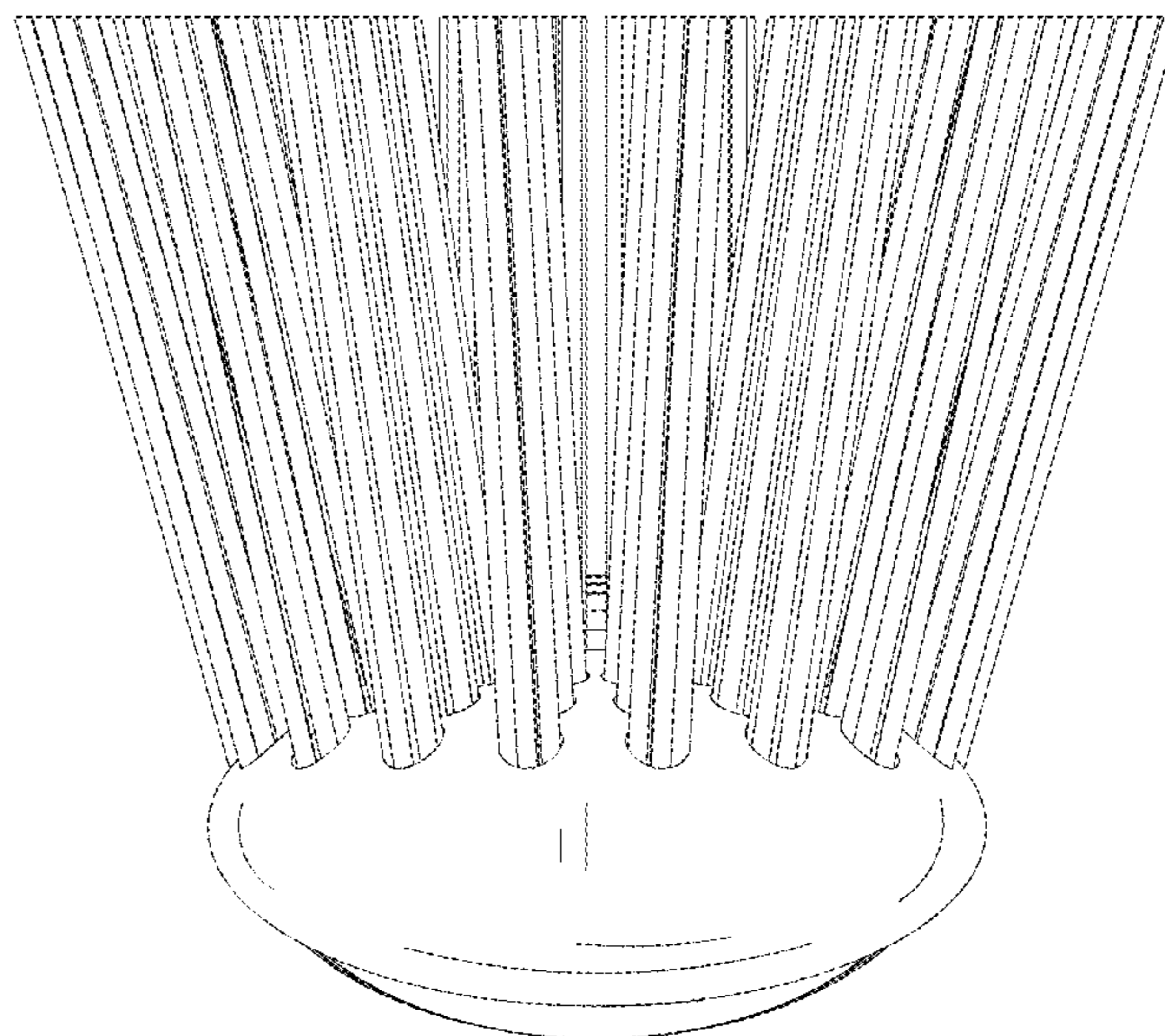


FIG. 16



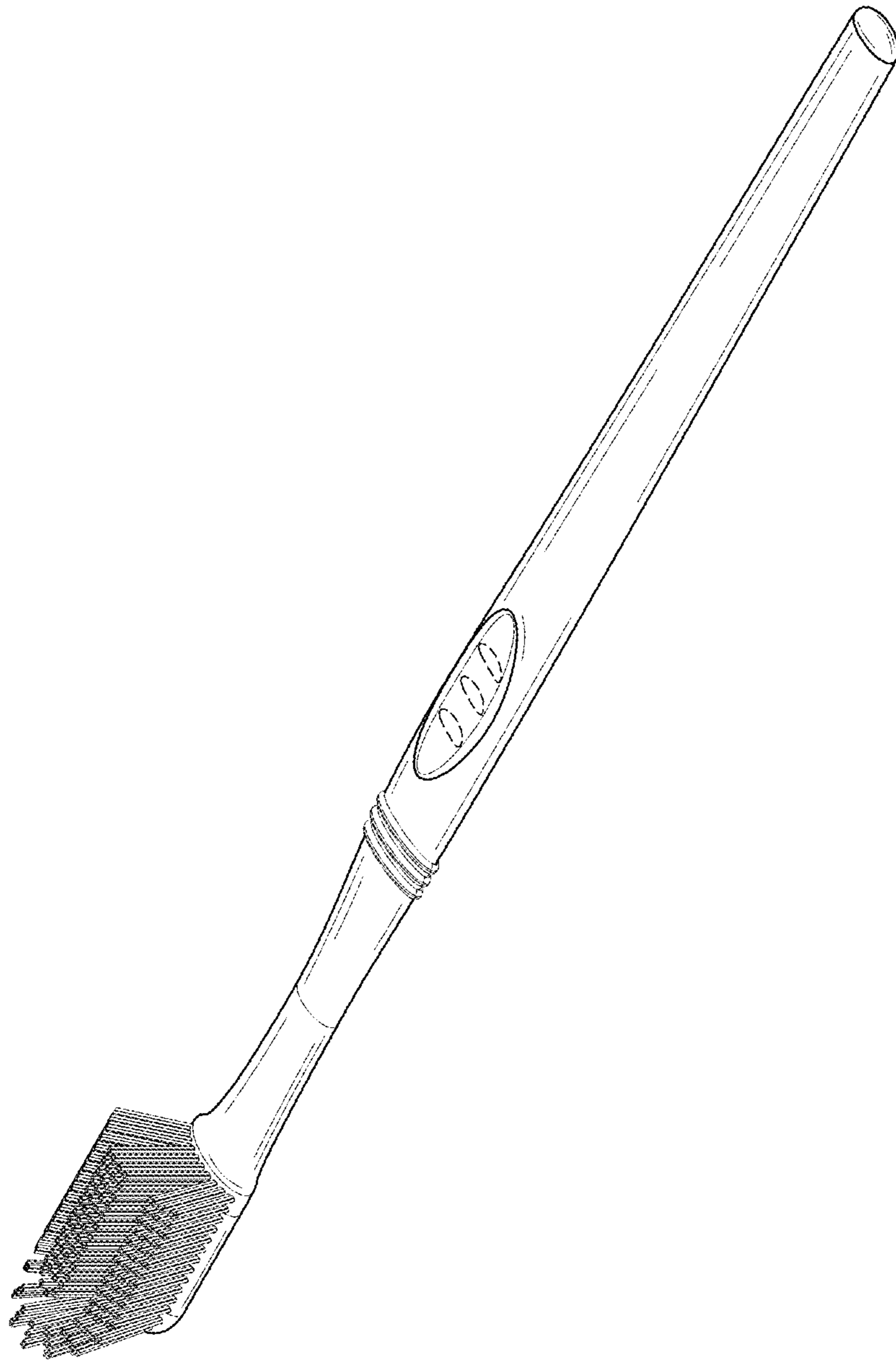


FIG. 17

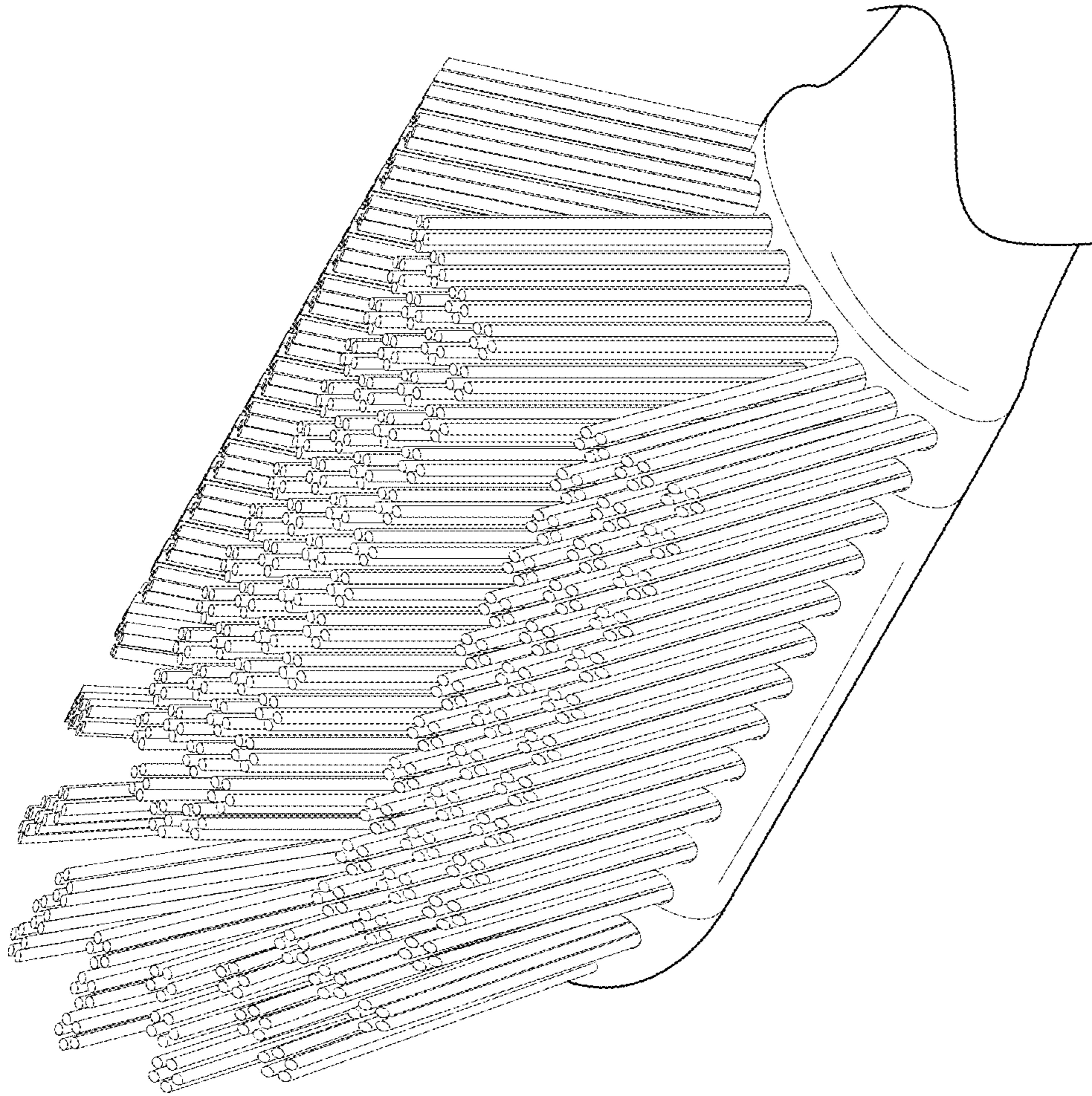


FIG. 18

FIG. 19

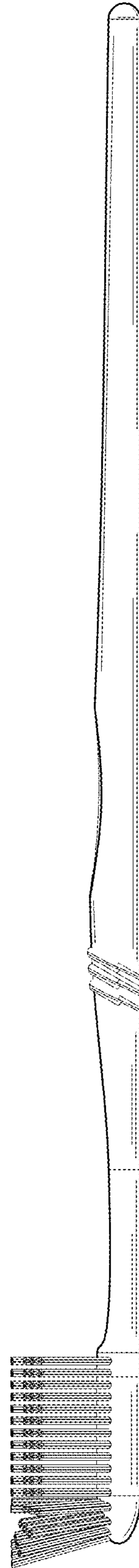
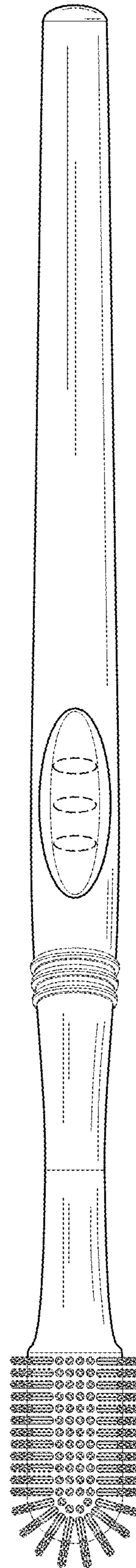


FIG. 20



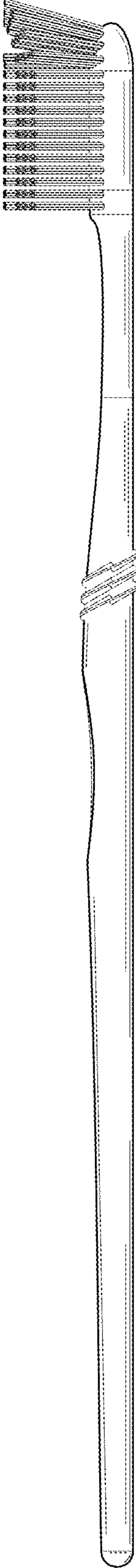


FIG. 21

FIG. 22

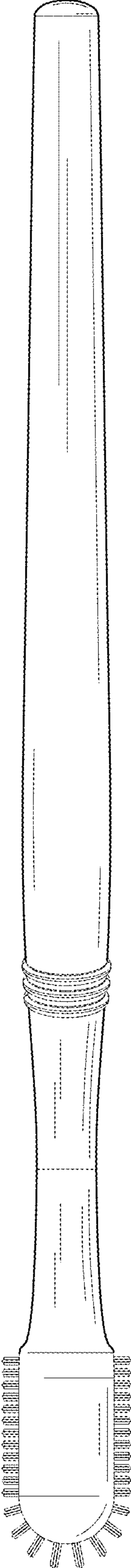


FIG. 23

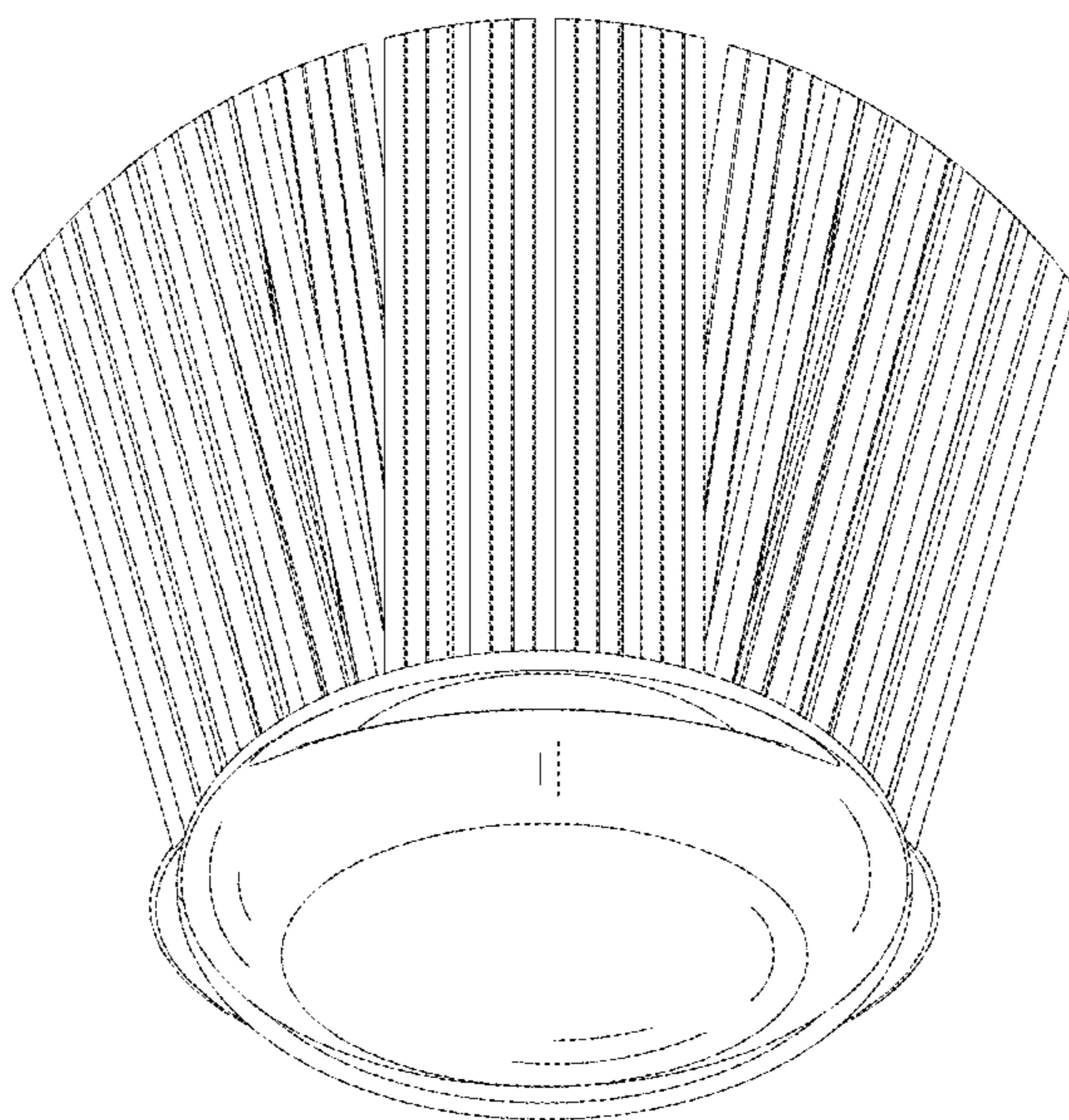


FIG. 24

