



US00D878763S

(12) **United States Design Patent** (10) **Patent No.:** **US D878,763 S**  
**Gibson et al.** (45) **Date of Patent:** **\*\* Mar. 24, 2020**

(54) **CARRYING CASE**  
(71) Applicants: **Baxalta GmbH**, Glattpark (Opfikon) (CH); **Baxalta Incorporated**, Bannockburn, IL (US)  
(72) Inventors: **Madeleine Clare Gibson**, Madison, WI (US); **Seth Dale Jones**, Round Lake, IL (US); **Daniel Edward Roush**, Niles, IL (US); **Nicholas John Schill**, Johnsburg, IL (US); **Ron Theis**, Kewaskum, WI (US); **Denise A. Alexander**, Naperville, IL (US)

6,068,402 A 5/2000 Freese et al.  
6,193,034 B1 2/2001 Fournier  
6,390,260 B1 5/2002 Roegner  
6,907,989 B2 6/2005 Ho  
6,994,132 B2 2/2006 Antrobus  
D550,459 S 9/2007 Eskandry  
7,597,209 B2 10/2009 Rothschild et al.  
D610,466 S 2/2010 Kale et al.  
7,845,508 B2 12/2010 Rothschild et al.  
7,950,509 B2 5/2011 Redzisz  
8,167,157 B2 5/2012 Shalomoff  
8,714,389 B2 5/2014 Rothschild et al.  
8,807,412 B2 8/2014 Thomas et al.

(Continued)

FOREIGN PATENT DOCUMENTS

(73) Assignees: **Baxalta GmbH**, Glattpark (Opfikon) (CH); **Baxalta Incorporated**, Bannockburn, IL (US)

CN 2875362 Y 3/2007  
EP 0 649 613 A1 4/1995

(Continued)

(\*\*) Term: **15 Years**

*Primary Examiner* — Holly H Baynham

(21) Appl. No.: **29/665,384**

(74) *Attorney, Agent, or Firm* — Wolf, Greenfield & Sacks, P.C.

(22) Filed: **Oct. 3, 2018**

(57) **CLAIM**

(51) **LOC (12) Cl.** ..... **03-01**

The ornamental design for a carrying case, as shown and described.

(52) **U.S. Cl.**

USPC ..... **D3/318**

(58) **Field of Classification Search**

USPC ..... D3/232, 245–246, 318

CPC ..... A45C 1/024; A45C 3/06

See application file for complete search history.

**DESCRIPTION**

FIG. 1 is a top, front, right side perspective view of a carrying case;

FIG. 2 is a front elevation view thereof;

FIG. 3 is a rear elevation view thereof;

FIG. 4 is a left side elevation view thereof;

FIG. 5 is a right side elevation view thereof;

FIG. 6 is a top plan view thereof; and,

FIG. 7 is a bottom plan view thereof.

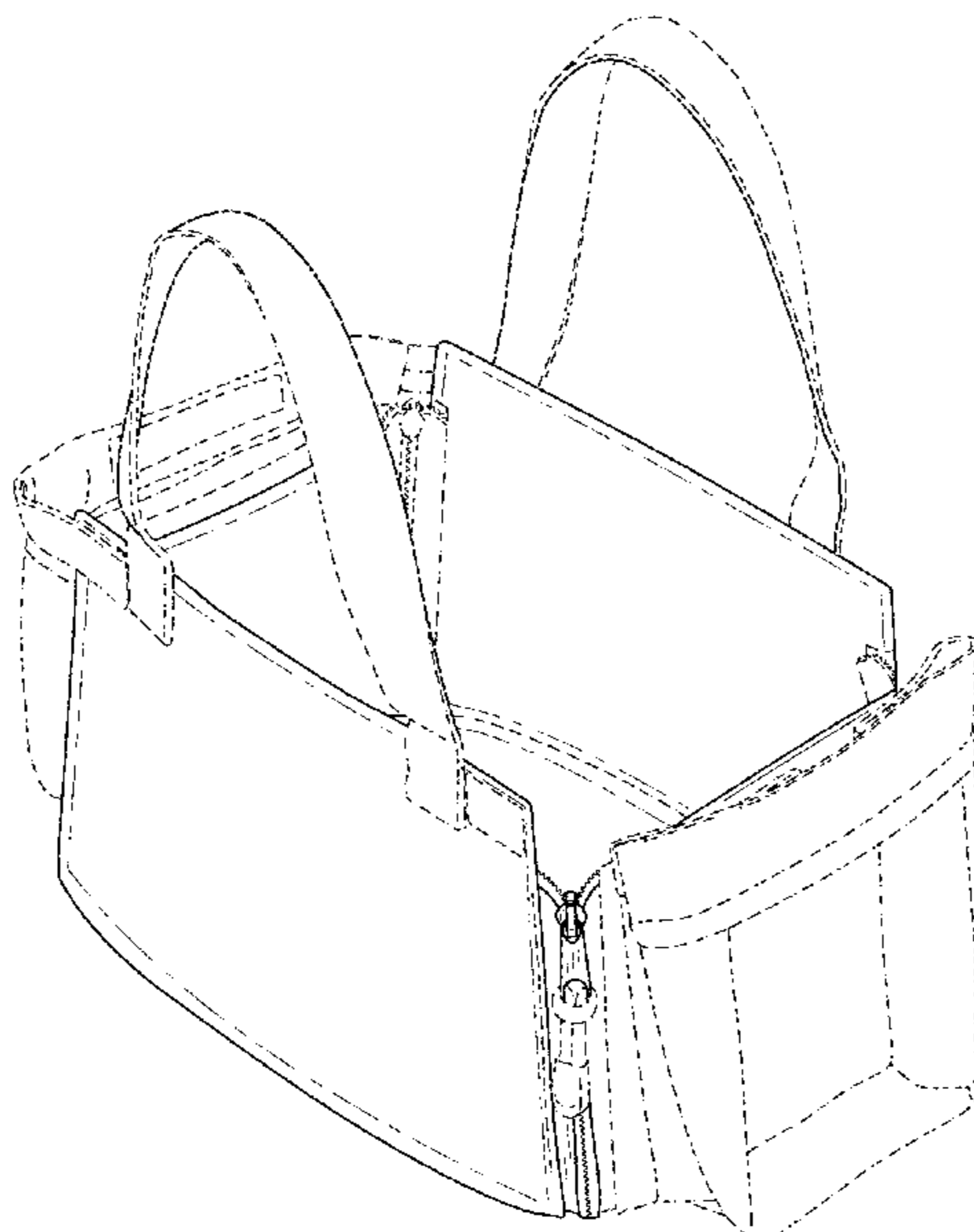
The long dash-short dash lines represent the bounds of the claimed design. The dashed lines shown illustrate portions of the carrying case that form no part of the claimed design.

(56) **References Cited**

U.S. PATENT DOCUMENTS

2,254,578 A 9/1941 O'Brien  
3,173,465 A 3/1965 Pastini  
4,561,525 A 12/1985 Shidner  
5,052,555 A 10/1991 Harmon  
5,207,303 A 5/1993 Oswald et al.  
5,337,933 A 8/1994 Nunez  
5,592,691 A 1/1997 Ronald

**1 Claim, 5 Drawing Sheets**



(56)

**References Cited**

U.S. PATENT DOCUMENTS

9,480,317 B2 11/2016 Rothschild et al.  
D819,967 S \* 6/2018 Carter ..... D3/246  
D824,666 S \* 8/2018 Carter ..... D3/245  
D831,348 S \* 10/2018 Wells ..... D3/245  
D868,390 S 11/2019 Santo Domingo  
2008/0245096 A1 10/2008 Hanson et al.  
2010/0008601 A1 1/2010 Prudencio  
2010/0181220 A1 7/2010 Dasara  
2017/0020251 A1 1/2017 Rothschild et al.  
2017/0320509 A1 11/2017 Ryan  
2018/0014614 A1 1/2018 Marshall

FOREIGN PATENT DOCUMENTS

FR 2 580 910 A 10/1986  
JP 3015675 U 9/1995  
WO WO 2015/197200 A1 12/2015

\* cited by examiner



FIG. 1

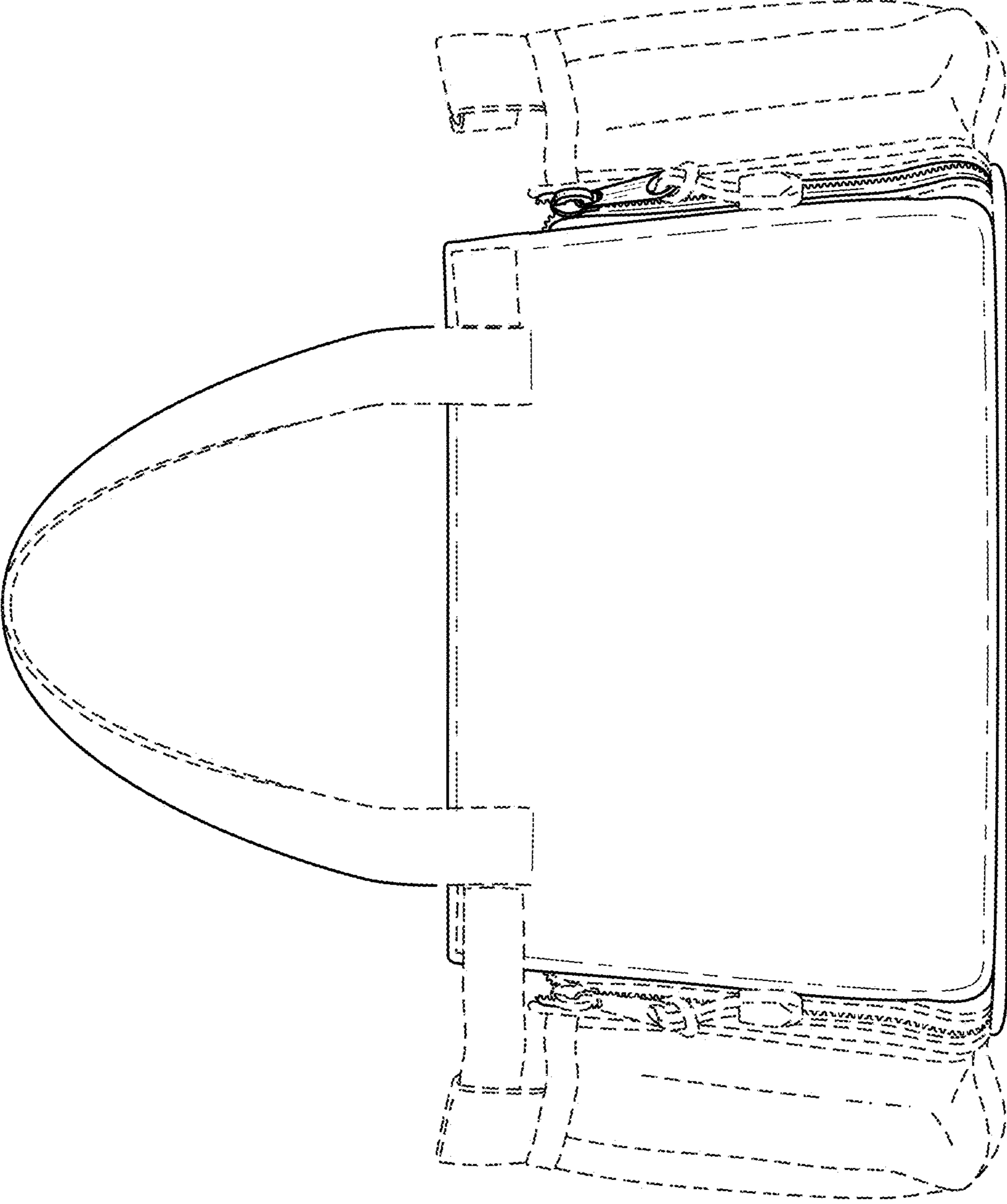


FIG. 2

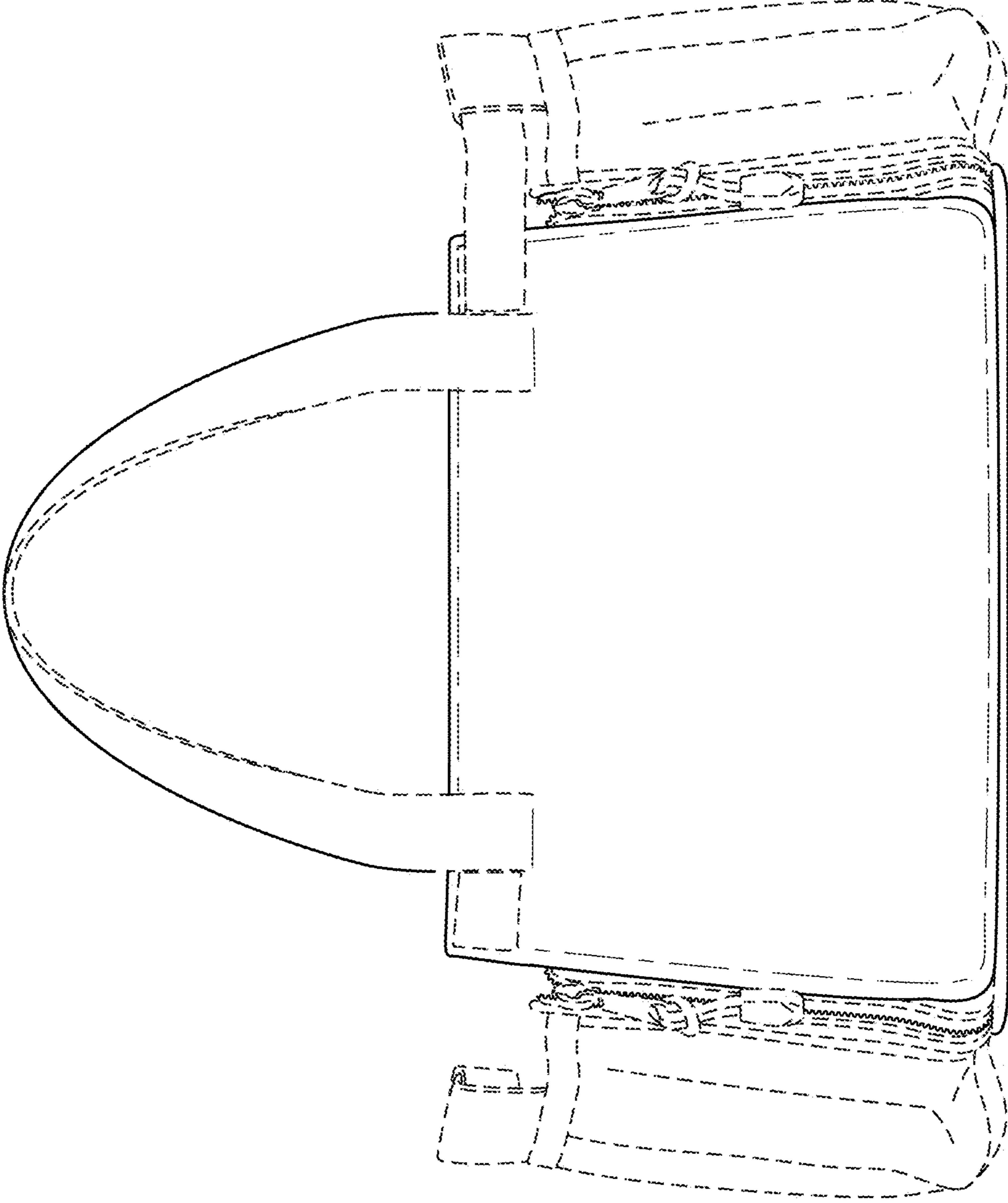


FIG. 3

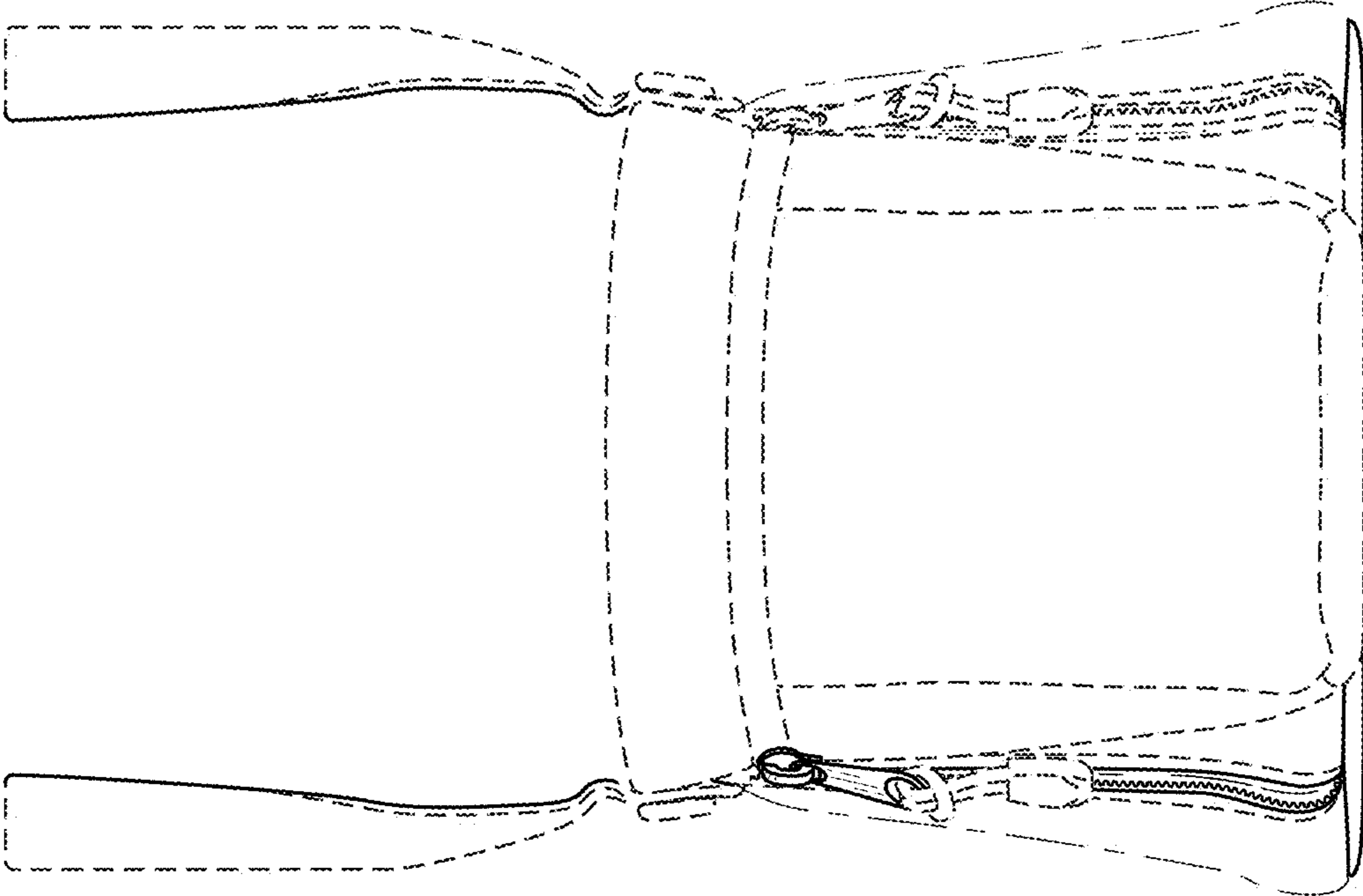


FIG. 5

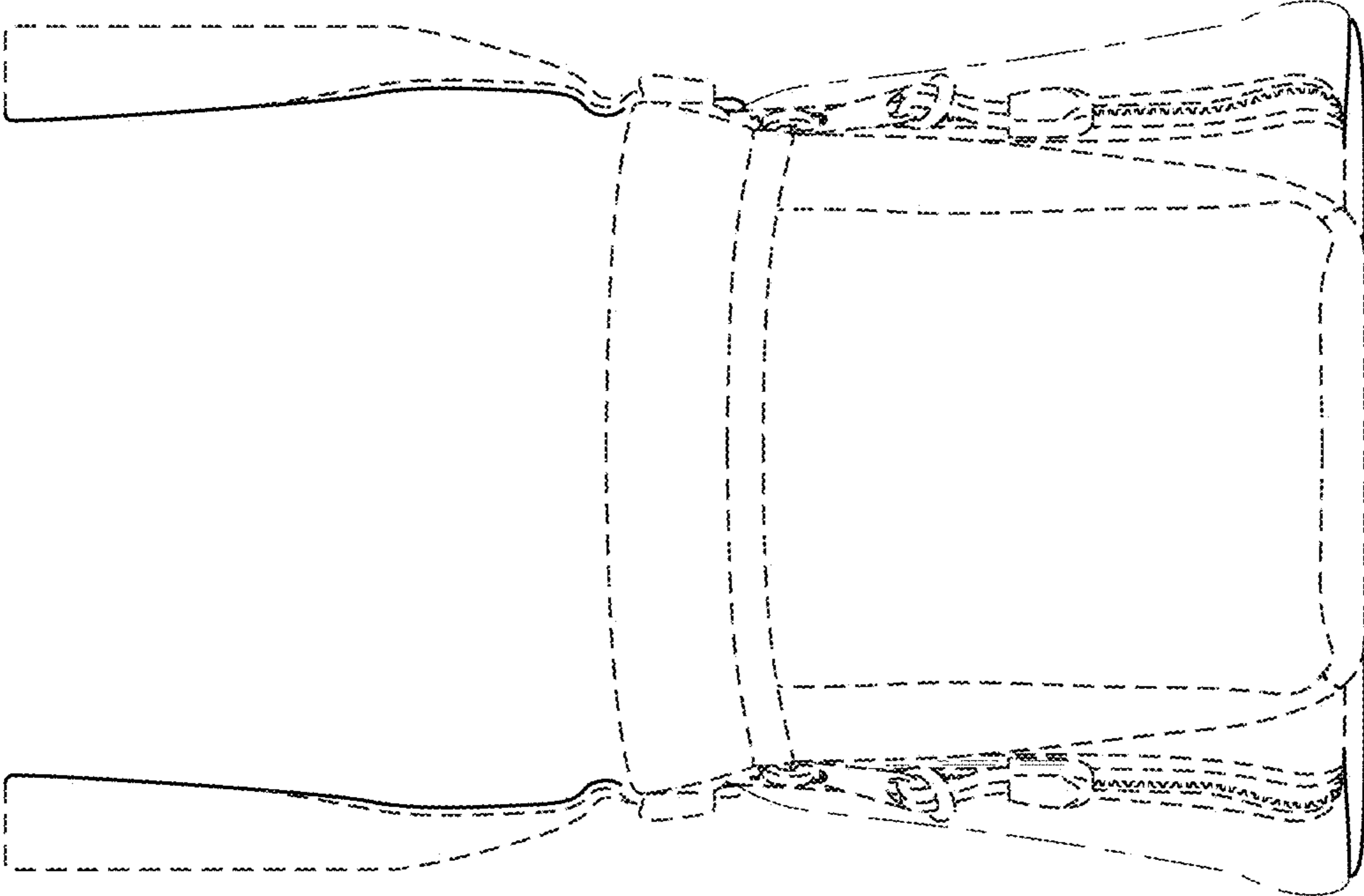


FIG. 4

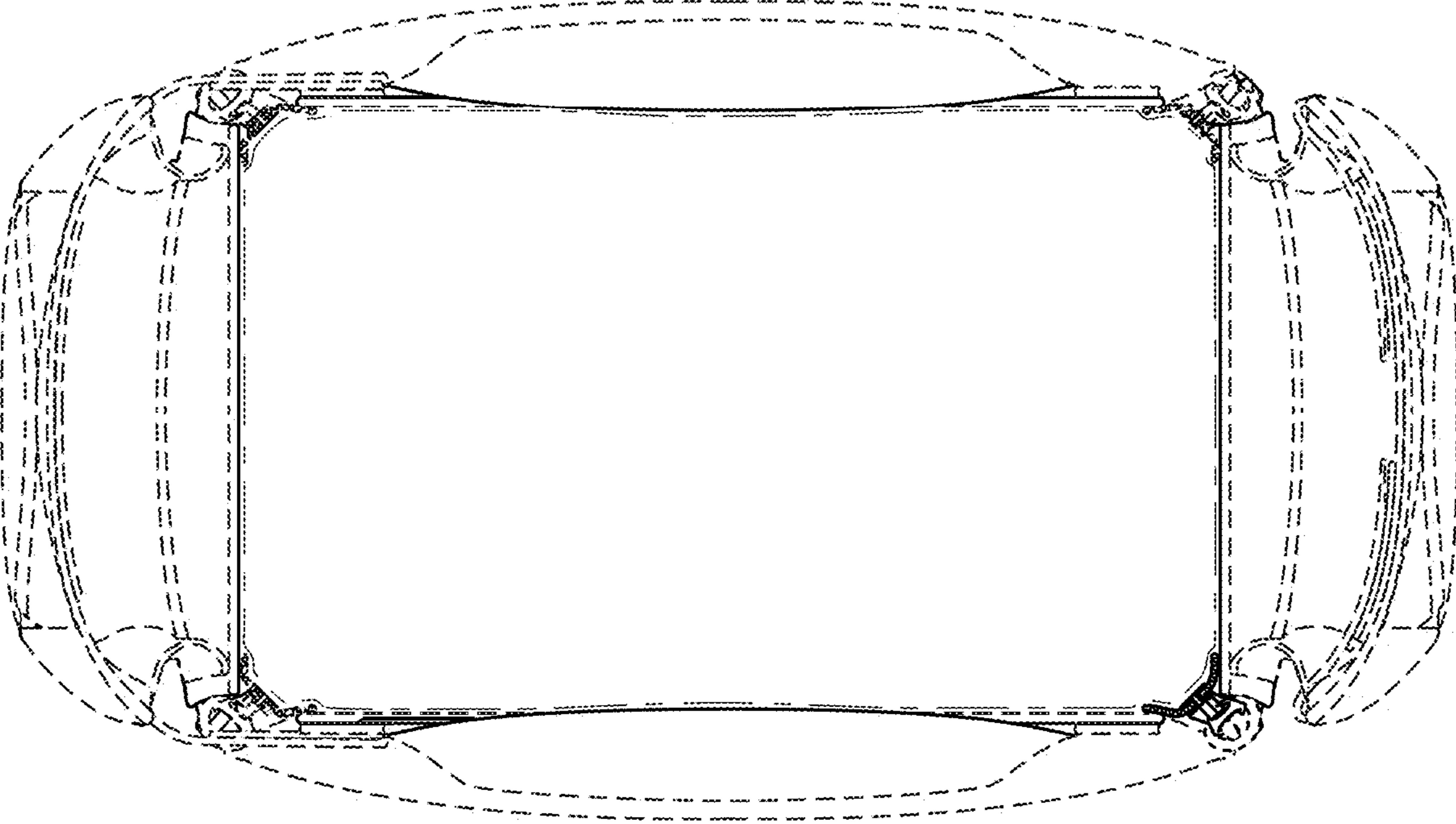


FIG. 6

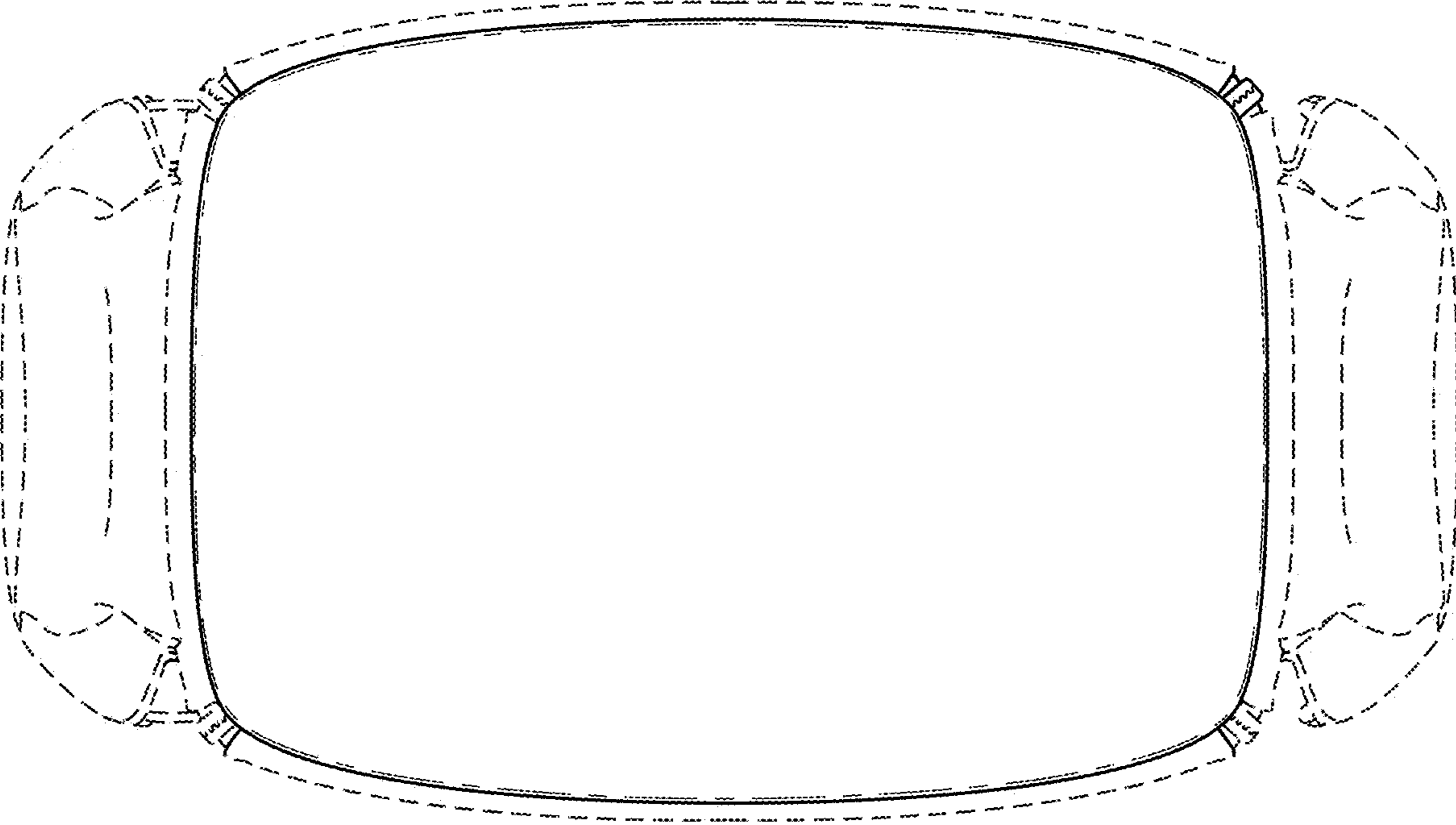


FIG. 7