



US00D878760S

(12) **United States Design Patent** (10) **Patent No.:** **US D878,760 S**
Dehmoubed et al. (45) **Date of Patent:** **** Mar. 24, 2020**

(54) **TROLLEY BAG**

OTHER PUBLICATIONS

(71) Applicant: **Golden Eye Media USA Inc.,**
Carlsbad, CA (US)
(72) Inventors: **Farzan Dehmoubed,** Carlsbad, CA
(US); **Jennifer Duvall,** Carlsbad, CA
(US)

Request for Ex-parte reexamination of U.S. Pat. No. D. 835,912.
Greenaway, Naomi, "Is this the end of plastic bags? Holdalls that fit
inside supermarket trolleys and help sort your groceries as you shop
go on sale", Mailonline, Jan. 6, 2015, Accessed Nov. 25, 2019,
<https://www.dailymail.co.uk/femail/article-2898209/Holdalls-fit-inside-supermarket-trolleys-mean-end-plastic-bags.html>.
Trolley Bags UK, "How to make the most of your Trolley Bags",
Jul. 8, 2015, Accessed Nov. 25, 2019, <https://www.youtube.com/watch?v=AkpXasvPVxs>.
U.S. Appl. No. 29/659,563, filed Aug. 9, 2018, Dehmoubed et al.
U.S. Appl. No. 29/659,566, filed Aug. 9, 2018, Dehmoubed et al.

(**) Term: **15 Years**

(21) Appl. No.: **29/659,562**

(22) Filed: **Aug. 9, 2018**

(51) **LOC (12) Cl.** **03-01**

(52) **U.S. Cl.**
USPC **D3/315**

(58) **Field of Classification Search**
USPC D3/232-233, 240-243, 245-246, 315
CPC A45C 1/024; A45C 3/06
See application file for complete search history.

* cited by examiner

Primary Examiner — Holly H Baynham

(56) **References Cited**

U.S. PATENT DOCUMENTS

D422,411 S *	4/2000	Martin	D3/201
D423,215 S *	4/2000	Furlanetto	D3/232
D444,297 S	7/2001	Starck		
D530,510 S *	10/2006	Suppangig	D3/246
D779,207 S	2/2017	Starck		
D779,828 S	2/2017	Cronkshaw		
D783,288 S	4/2017	Starck		
D809,798 S	2/2018	Hernandez		
D835,912 S	12/2018	Dehmoubed et al.		
D849,406 S	5/2019	Dehmoubed et al.		
D850,107 S	6/2019	Dehmoubed et al.		
D853,121 S *	7/2019	Dehmoubed	D3/309

FOREIGN PATENT DOCUMENTS

EM 002682302-0001 4/2015

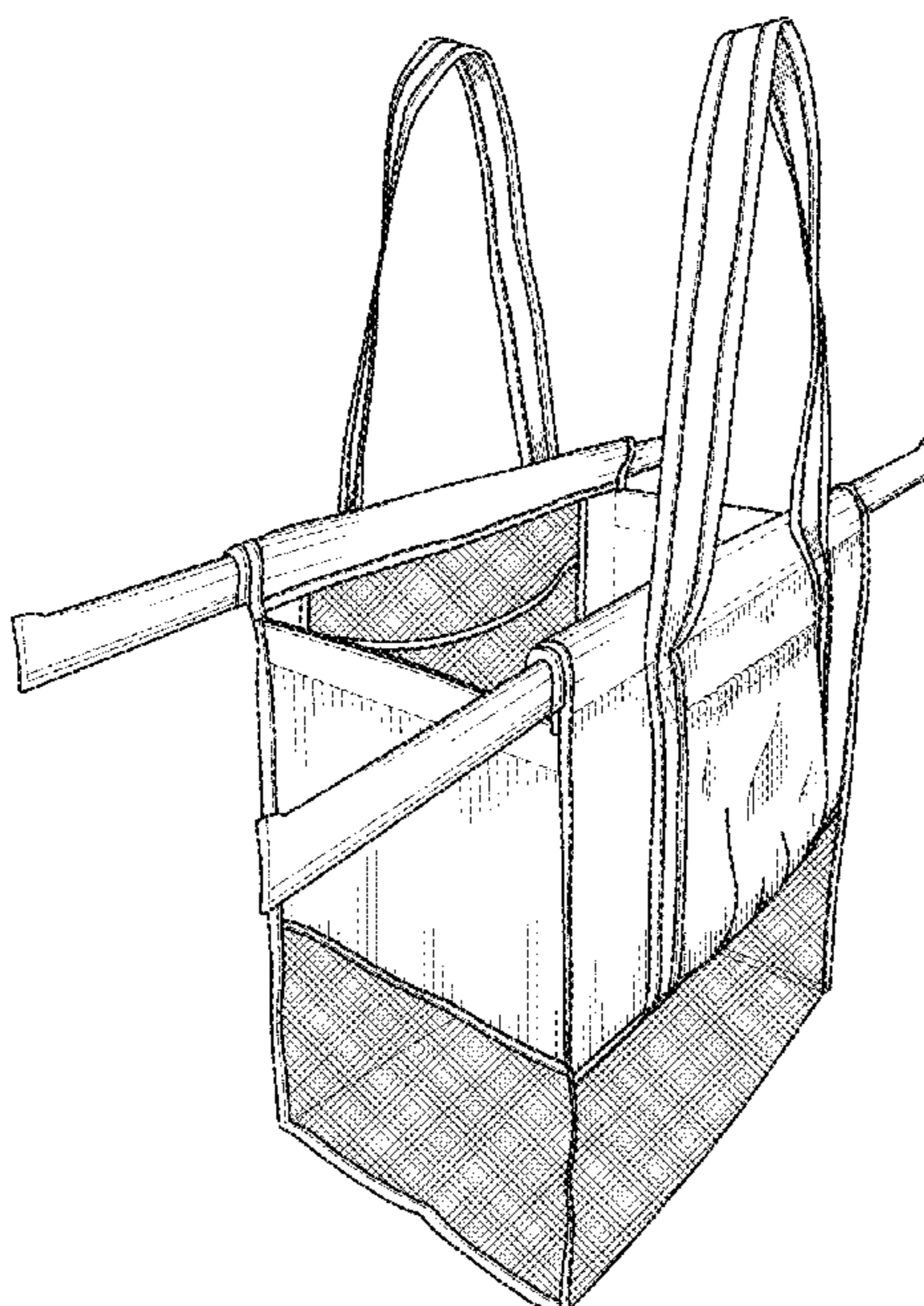
(57) **CLAIM**

The ornamental design for a trolley bag, as shown and described.

DESCRIPTION

FIG. 1 is a perspective view of a trolley bag;
FIG. 2 is a front view of the trolley bag;
FIG. 3 is a back view of the trolley bag;
FIG. 4 is a left side view of the trolley bag;
FIG. 5 is a right side view of the trolley bag;
FIG. 6 is a top view of the trolley bag;
FIG. 7 is a bottom view of the trolley bag;
FIG. 8 is another perspective view of the trolley bag; and,
FIG. 9 is yet another perspective view of the trolley bag.
The broken lines showing stitching are for the purposes of illustrating environment and form no part of the claimed design.

1 Claim, 7 Drawing Sheets



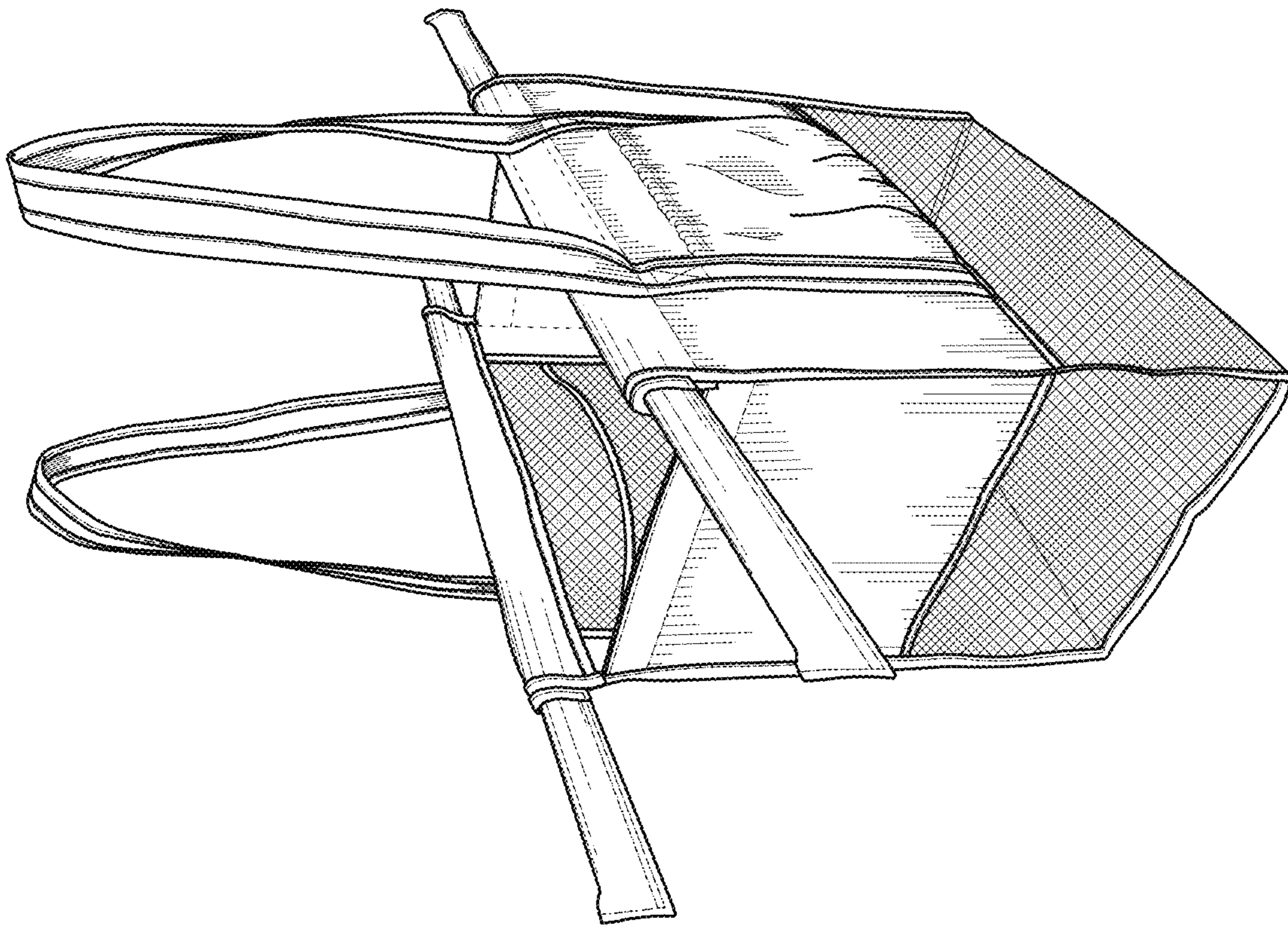


FIG. 1

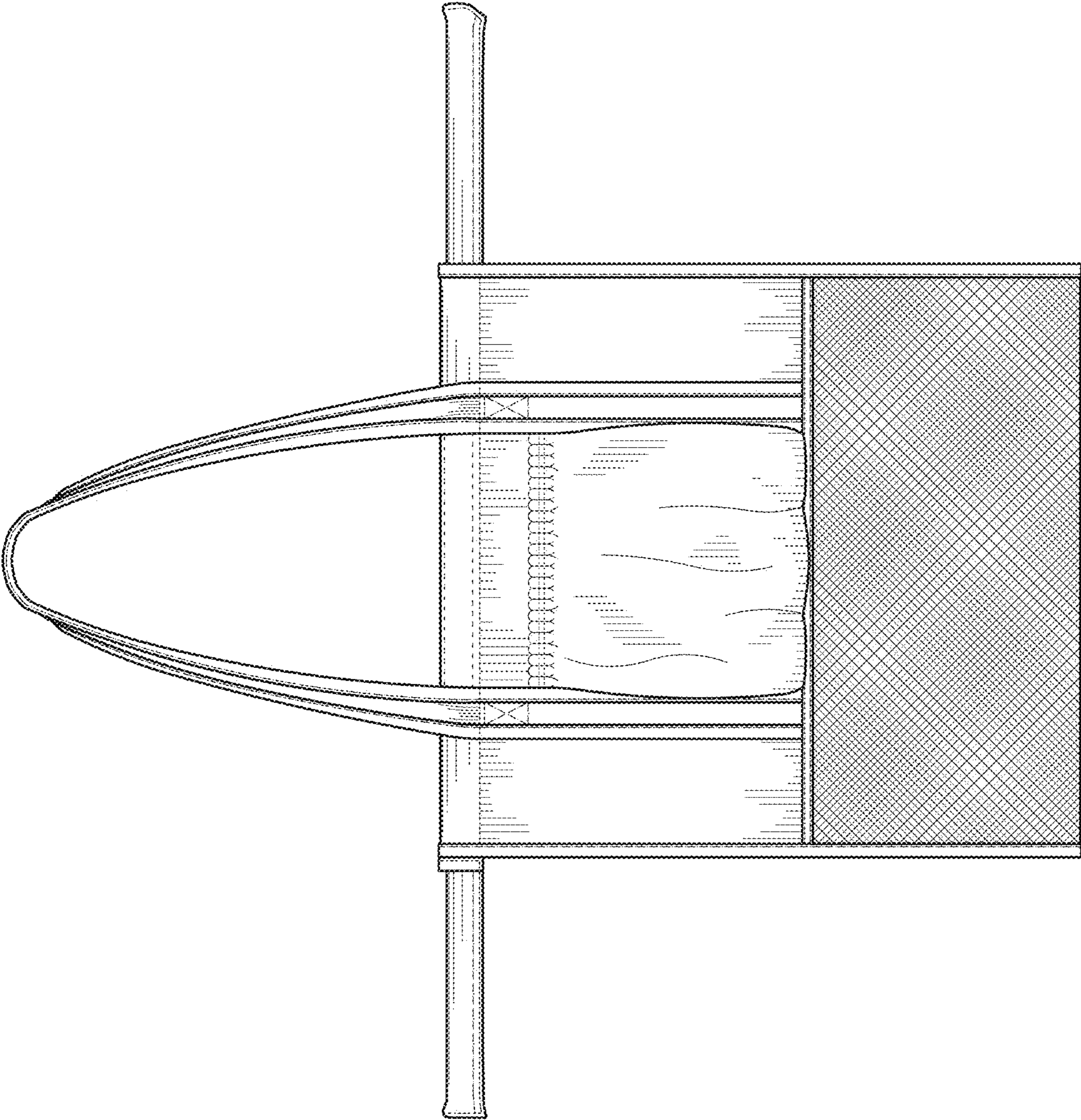


FIG. 2

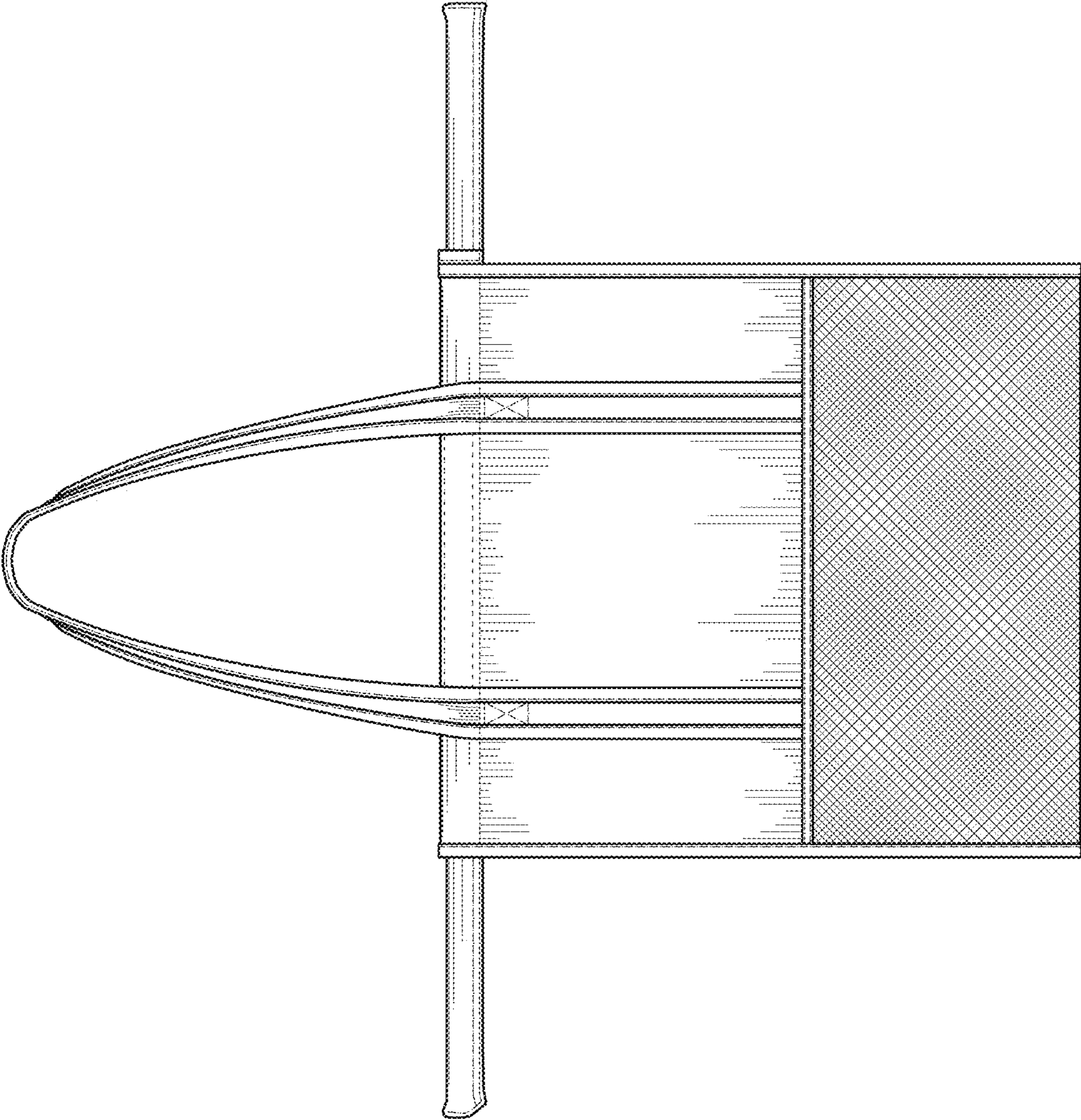


FIG. 3

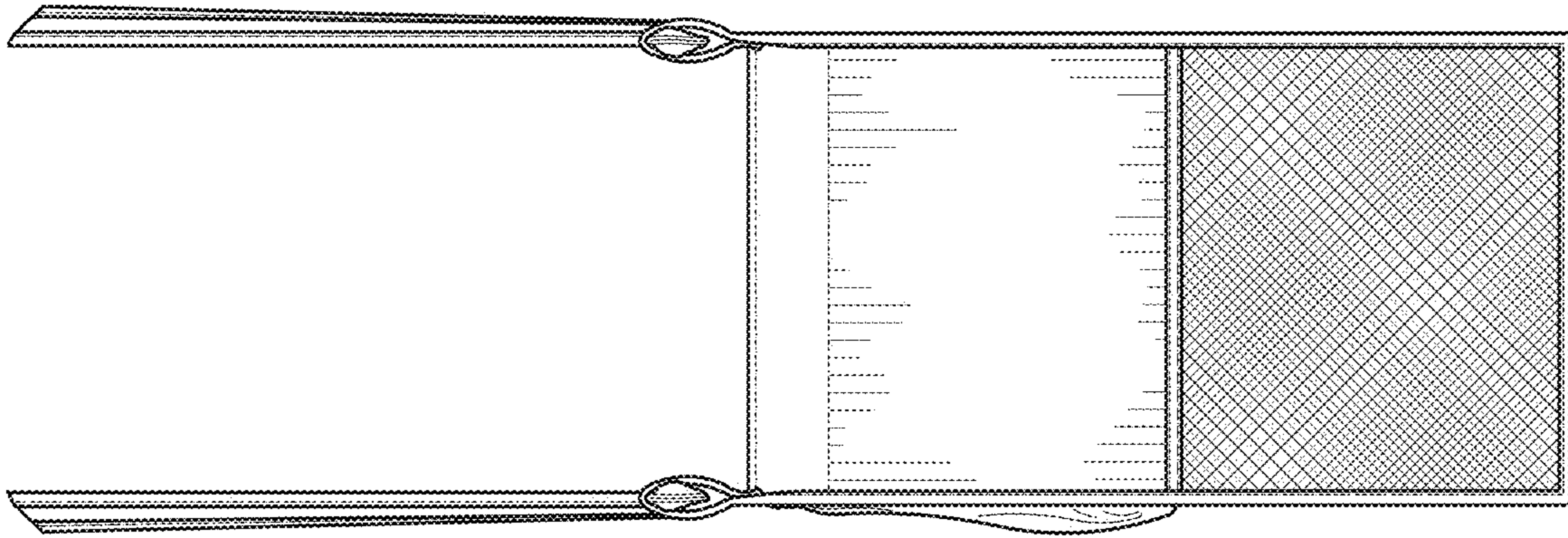


FIG. 5

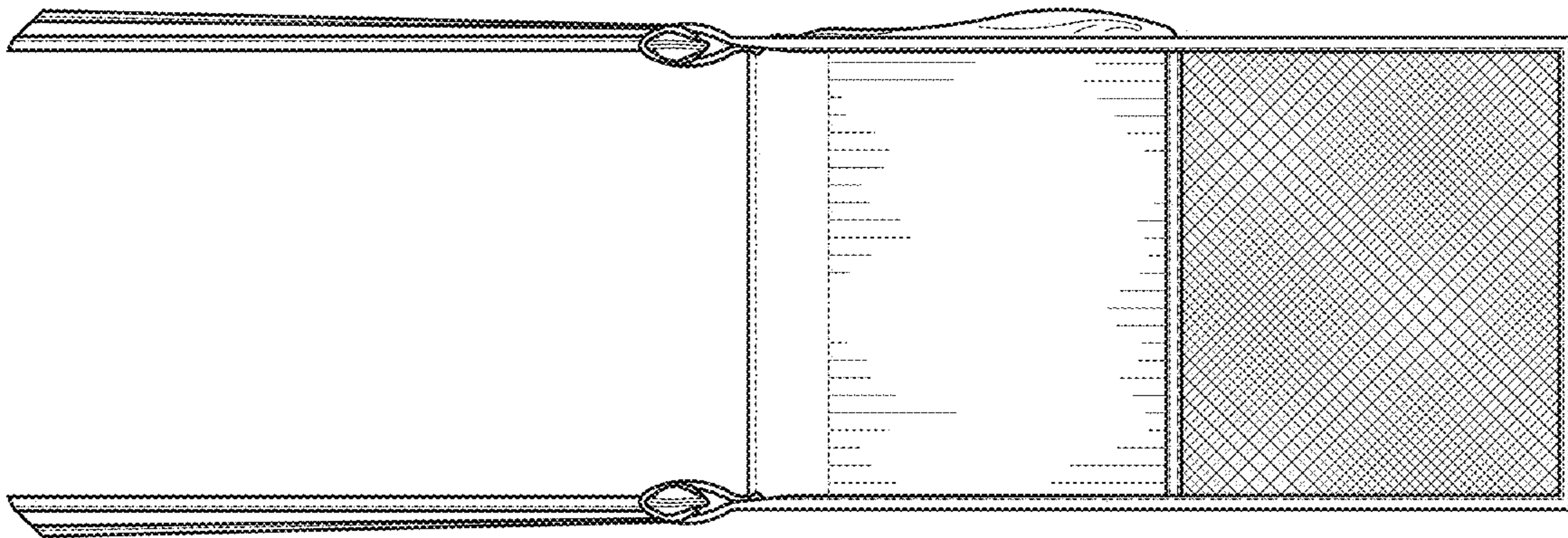


FIG. 4

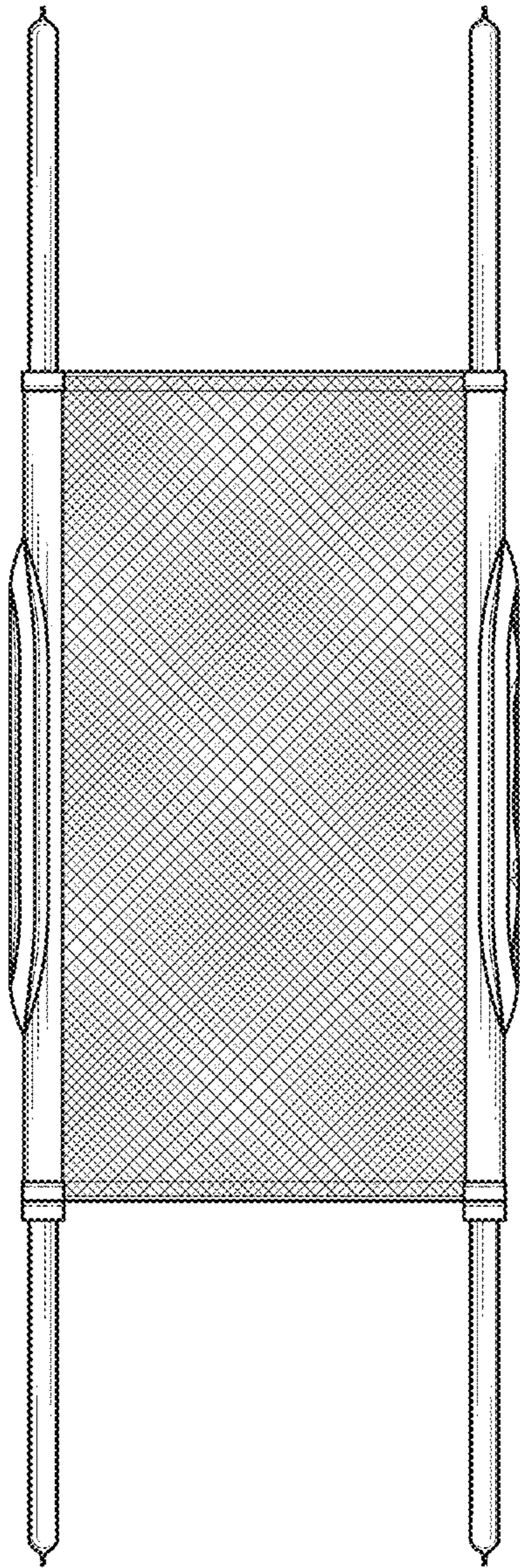


FIG. 6

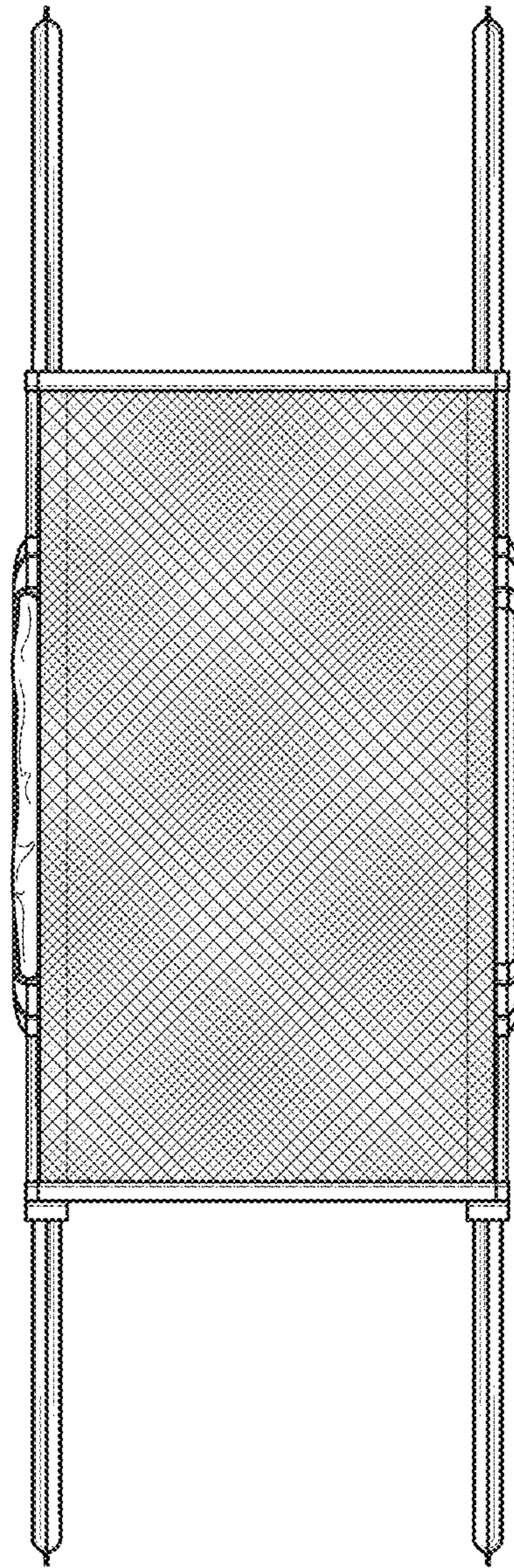


FIG. 7

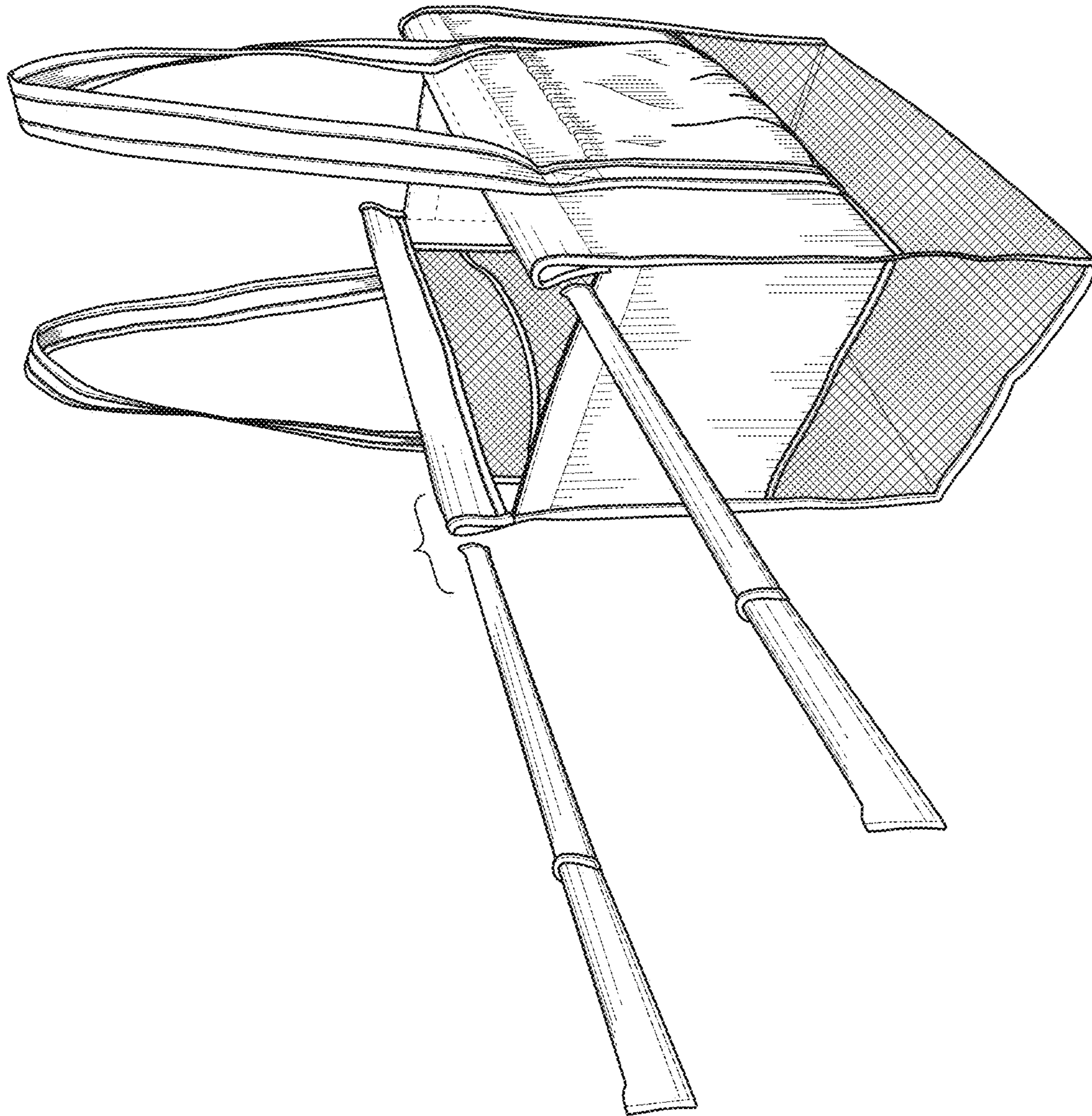


FIG. 8

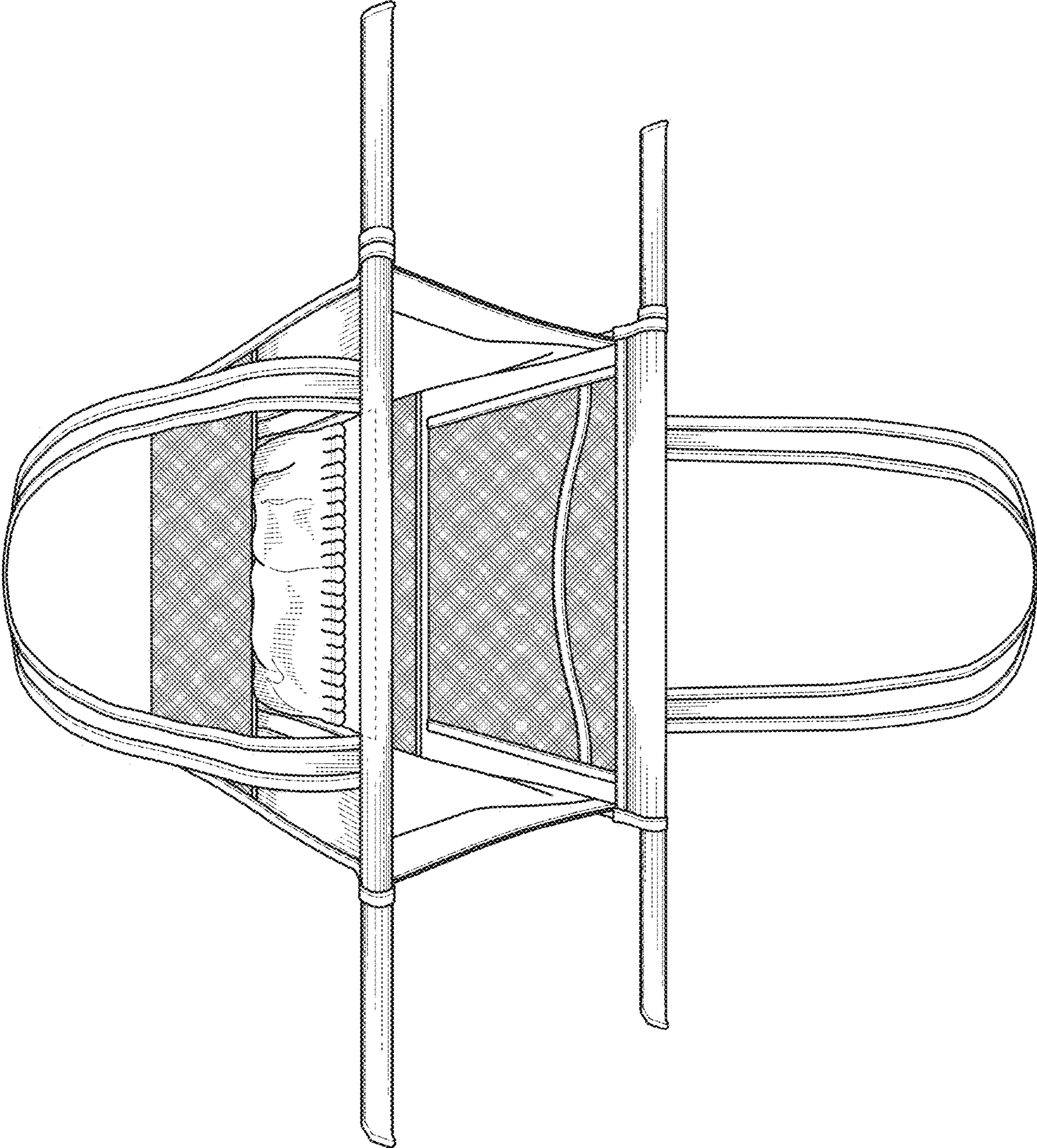


FIG. 9



US00D878760C1

(12) **EX PARTE REEXAMINATION CERTIFICATE** (12031st)
United States Patent
Dehmoubed et al.

(10) **Number:** **US D878,760 C1**
(45) **Certificate Issued:** **Apr. 4, 2022**

(54) **TROLLEY BAG**

(71) Applicant: **Golden Eye Media USA Inc.**,
Carlsbad, CA (US)

(72) Inventors: **Farzan Dehmoubed**, Carlsbad, CA
(US); **Jennifer Duvall**, Carlsbad, CA
(US)

(73) Assignee: **GOLDEN EYE MEDIA USA, INC.**,
Carlsbad, CA (US)

(51) **LOC (13) Cl.** 03-01

(52) **U.S. Cl.**
USPC **D3/315**

(58) **Field of Classification Search**
USPC D3/20, 26, 304, 305, 307-311, 315,
D3/318-319, 321, 322
CPC .. A45C 3/00; A45C 3/001; A45C 3/04; A45C
7/00; A45C 7/0018; A45C 7/0059; B62B
5/00; B65D 29/00; B65D 37/00
See application file for complete search history.

Reexamination Request:

No. 90/014,579, Sep. 18, 2020

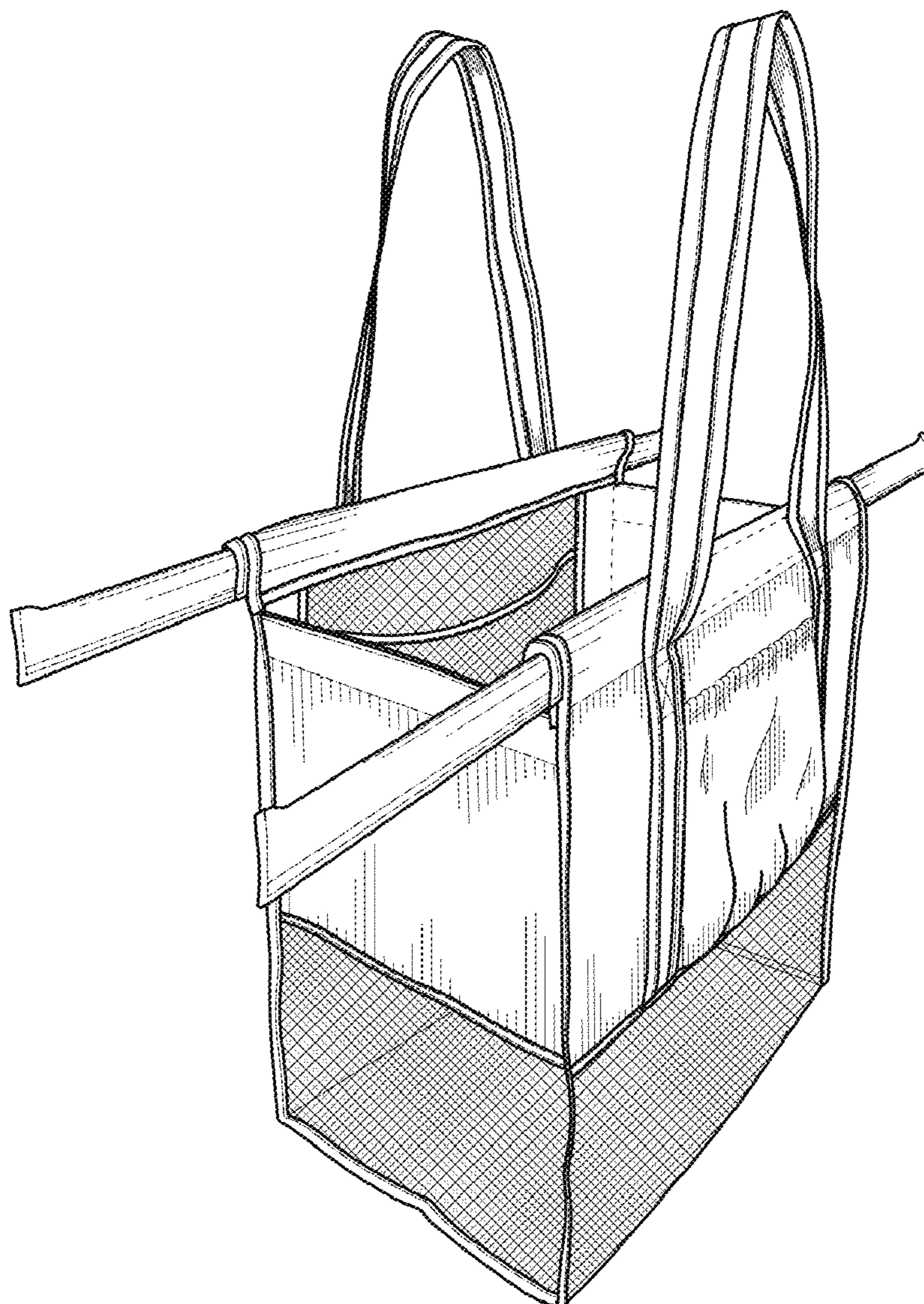
Reexamination Certificate for:

Patent No.: **Des. 878,760**
Issued: **Mar. 24, 2020**
Appl. No.: **29/659,562**
Filed: **Aug. 9, 2018**

(56) **References Cited**

To view the complete listing of prior art documents cited during the proceeding for Reexamination Control Number 90/014,579, please refer to the USPTO's public Patent Application Information Retrieval (PAIR) system under the Display References tab.

Primary Examiner — Ian Simmons



1
EX PARTE
REEXAMINATION CERTIFICATE

THE PATENT IS HEREBY AMENDED AS 5
INDICATED BELOW.

AS A RESULT OF REEXAMINATION, IT HAS BEEN
DETERMINED THAT:

Claim 1 is cancelled. 10

* * * * *