

US00D878758S

(12) **United States Design Patent**
Golden

(10) **Patent No.:** **US D878,758 S**

(45) **Date of Patent:** **** Mar. 24, 2020**

(54) **COSMETIC ORGANIZER**

(71) Applicant: **Golden Cosmetics, LLC**, Mullica Hill, NJ (US)

(72) Inventor: **Loren A. Golden**, Mullica Hill, NJ (US)

(73) Assignee: **Golden Cosmetics, LLC**, Mullica Hill, NJ (US)

(**) Term: **15 Years**

(21) Appl. No.: **29/650,881**

(22) Filed: **Jun. 11, 2018**

(51) **LOC (12) Cl.** **03-01**

(52) **U.S. Cl.**
USPC **D3/302; D3/901; D3/903**

(58) **Field of Classification Search**
USPC D3/203.6, 205, 273, 274, 275, 276, 278, D3/283, 284, 287, 289, 294, 297, 296, D3/299, 302, 303, 901, 903, 905, 301, D3/298; D6/667
CPC .. A45D 2033/001; A45D 33/00; A45C 11/16; A45C 3/004
See application file for complete search history.

(56) **References Cited**

U.S. PATENT DOCUMENTS

D44,058 S	*	5/1913	Foster	D3/294
D59,615 S	*	11/1921	Wright	D3/294
D77,465 S	*	1/1929	De Vilbiss	D3/302
D96,468 S	*	8/1935	Guttman	D3/294
D284,424 S	*	7/1986	Gotlib	D3/296
D423,249 S	*	4/2000	Hawang	D6/667

D480,181 S	*	9/2003	Sheng	D28/83
D560,312 S		1/2008	Washington		
D611,656 S		3/2010	Lai		
D644,437 S	*	9/2011	Lintula	D3/294
D685,578 S	*	7/2013	Pestell	D3/294
D814,791 S	*	4/2018	Zhang	D3/294
D830,059 S	*	10/2018	Hartt	D3/302
D831,353 S	*	10/2018	Aderinto	D3/284

* cited by examiner

Primary Examiner — April Rivas

(74) *Attorney, Agent, or Firm* — Dickinson Wright PLLC

(57) **CLAIM**

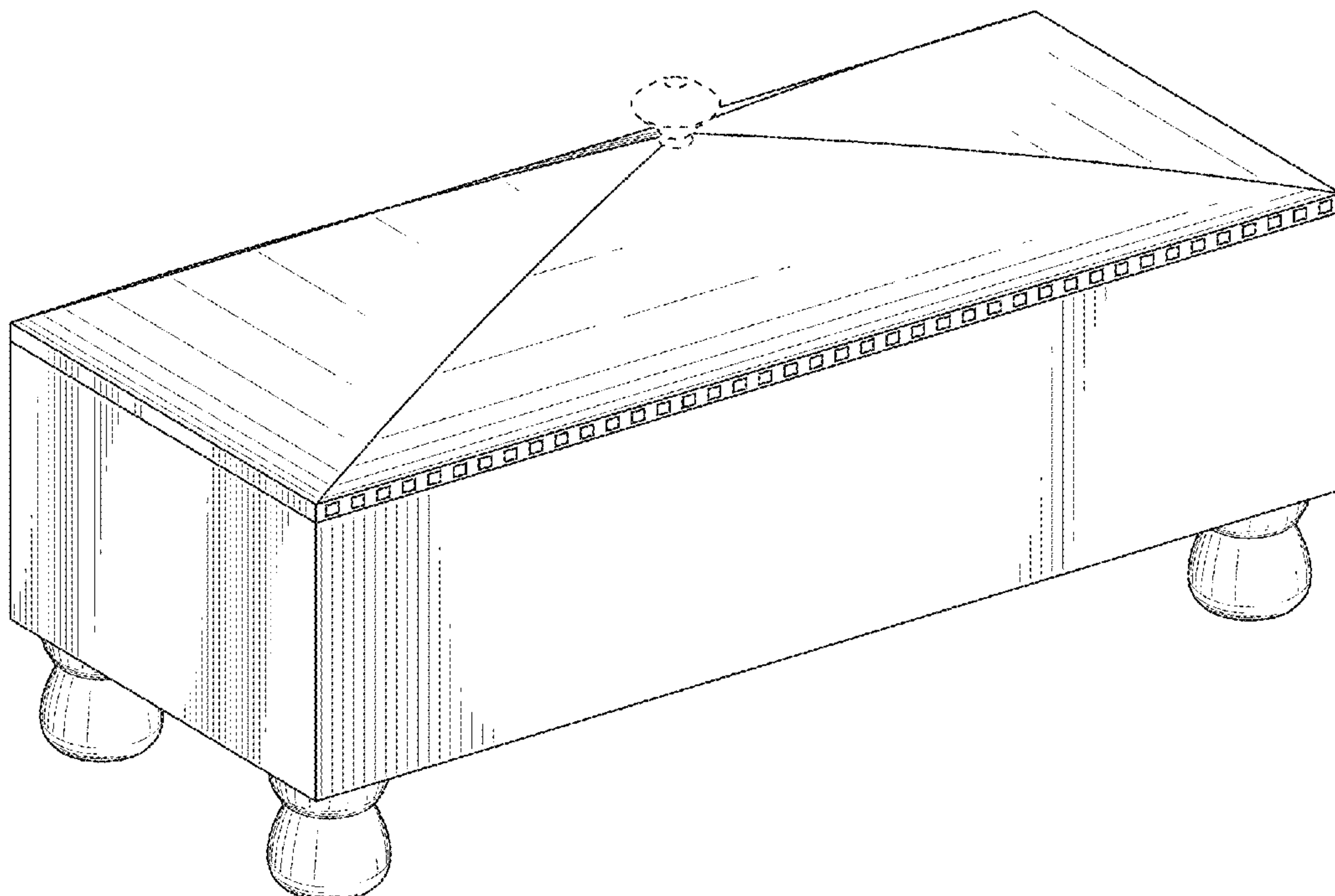
The ornamental design for a cosmetic organizer, as shown and described.

DESCRIPTION

FIG. 1 is an isometric closed view of a cosmetic organizer; FIG. 2 is a front closed view of the cosmetic organizer; FIG. 3 is a rear closed view of the cosmetic organizer; FIG. 4 is a right side closed view of the cosmetic organizer; FIG. 5 is a left side closed view of the cosmetic organizer; FIG. 6 is a top closed view of the cosmetic organizer; FIG. 7 is a bottom closed view of the cosmetic organizer; FIG. 8 is a first exploded isometric view of the cosmetic organizer; and, FIG. 9 is a top view of the cosmetic organizer with the lid and internal tray shown removed for convenience of illustration.

The broken lines illustrate portions of the cosmetic organizer and form no part of the claimed design. The dot-dot-dash lines included in FIG. 9 represent boundaries lines.

1 Claim, 9 Drawing Sheets



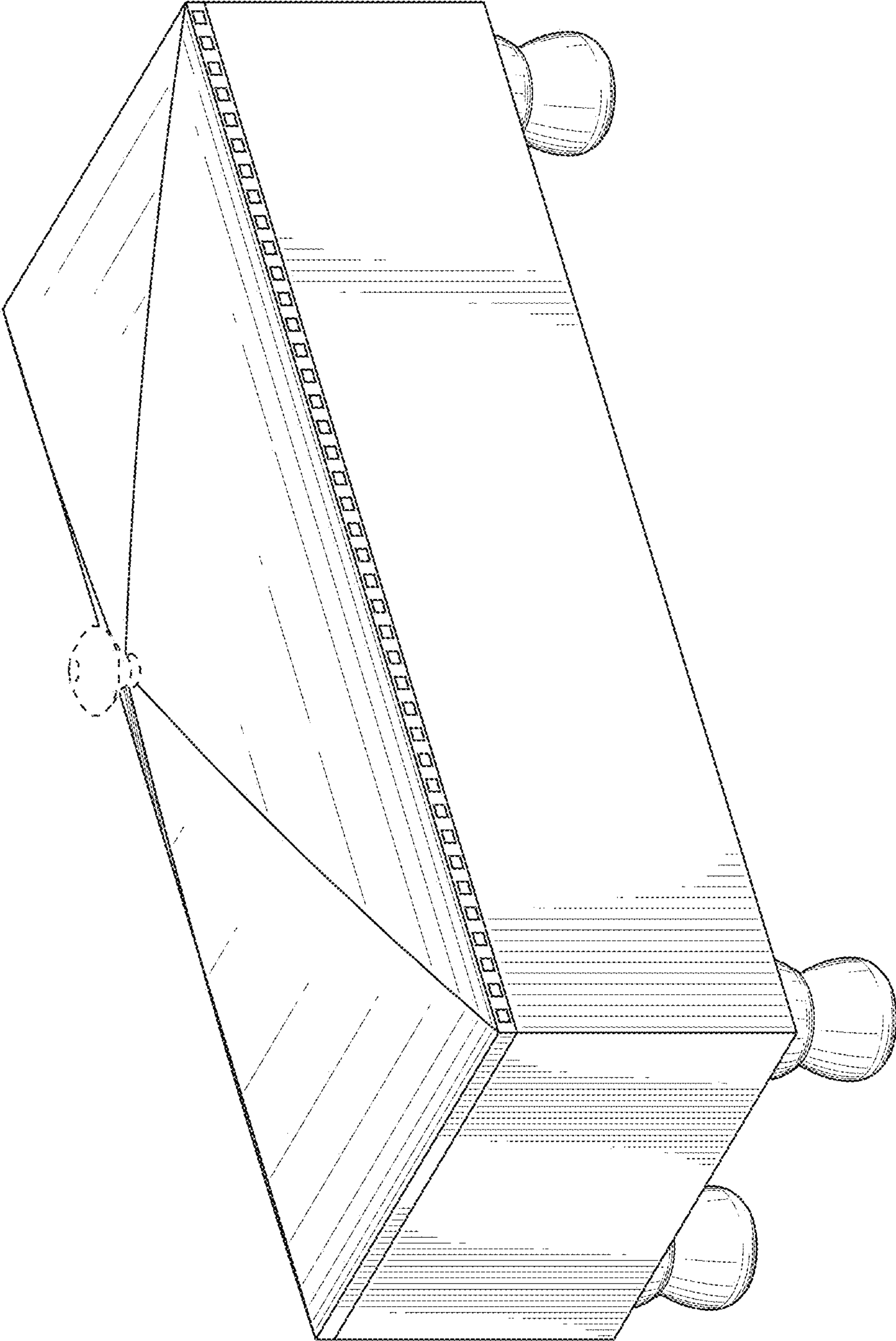


FIG. 1

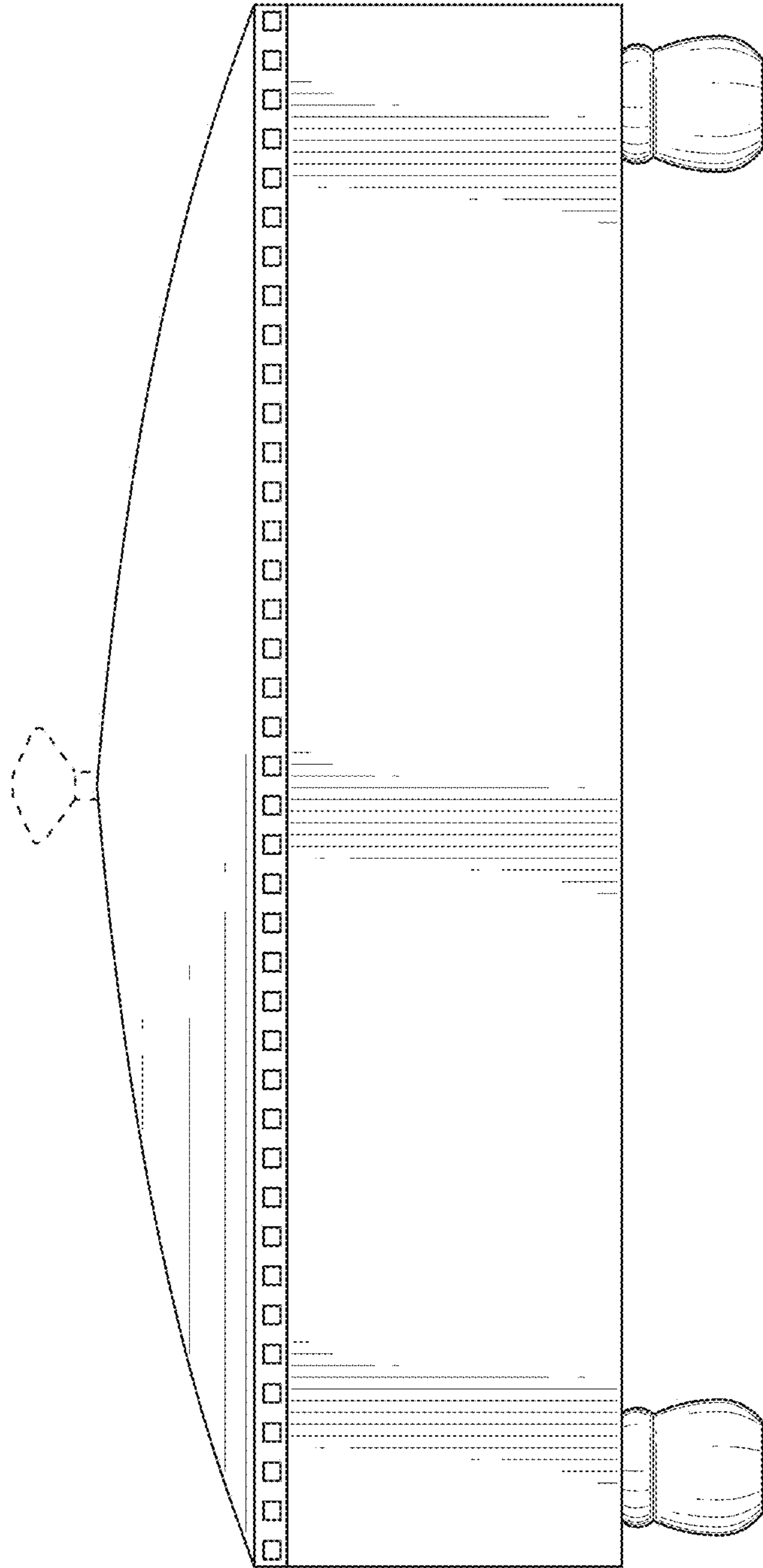


FIG. 2

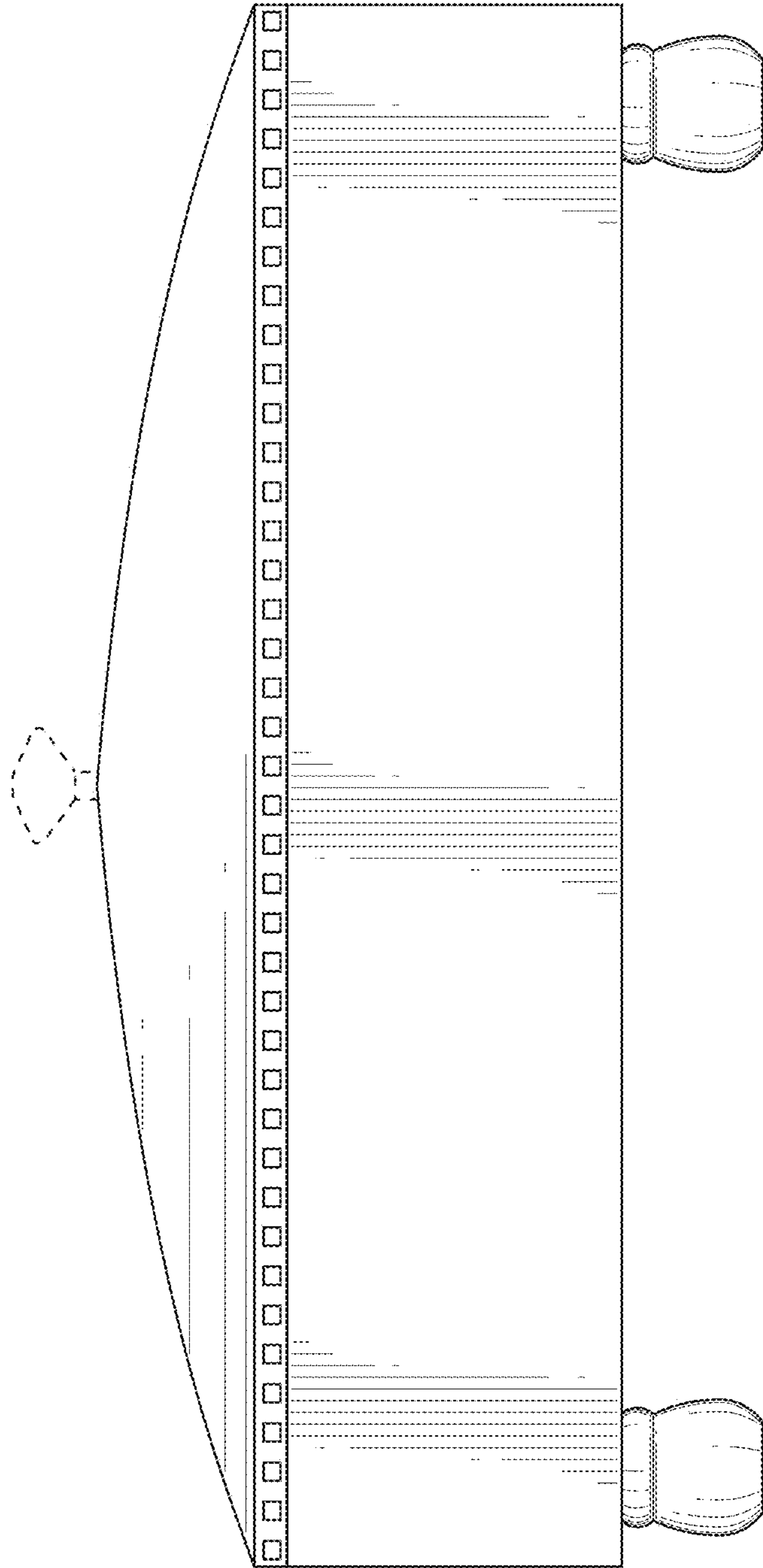


FIG. 3

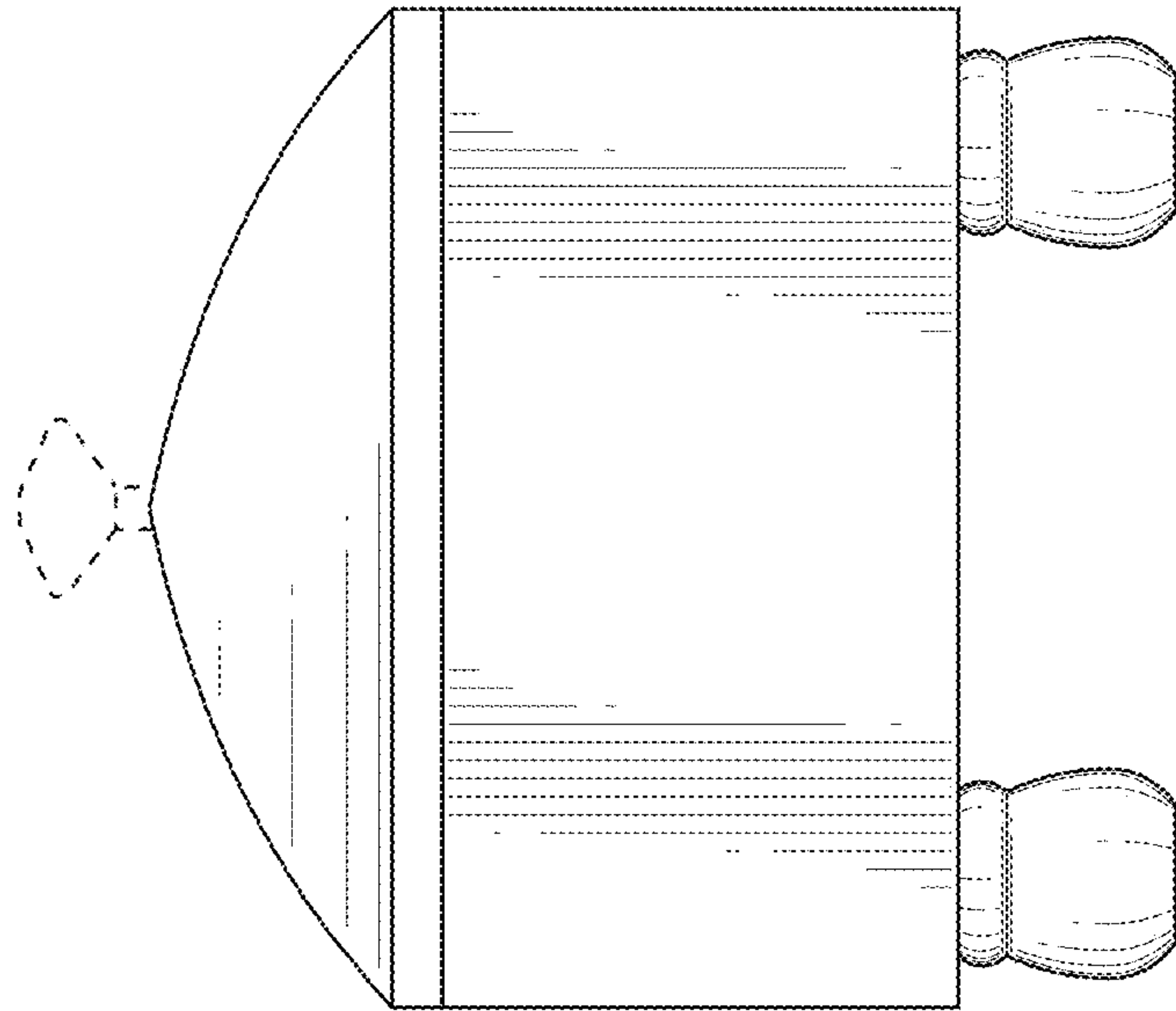


FIG. 4

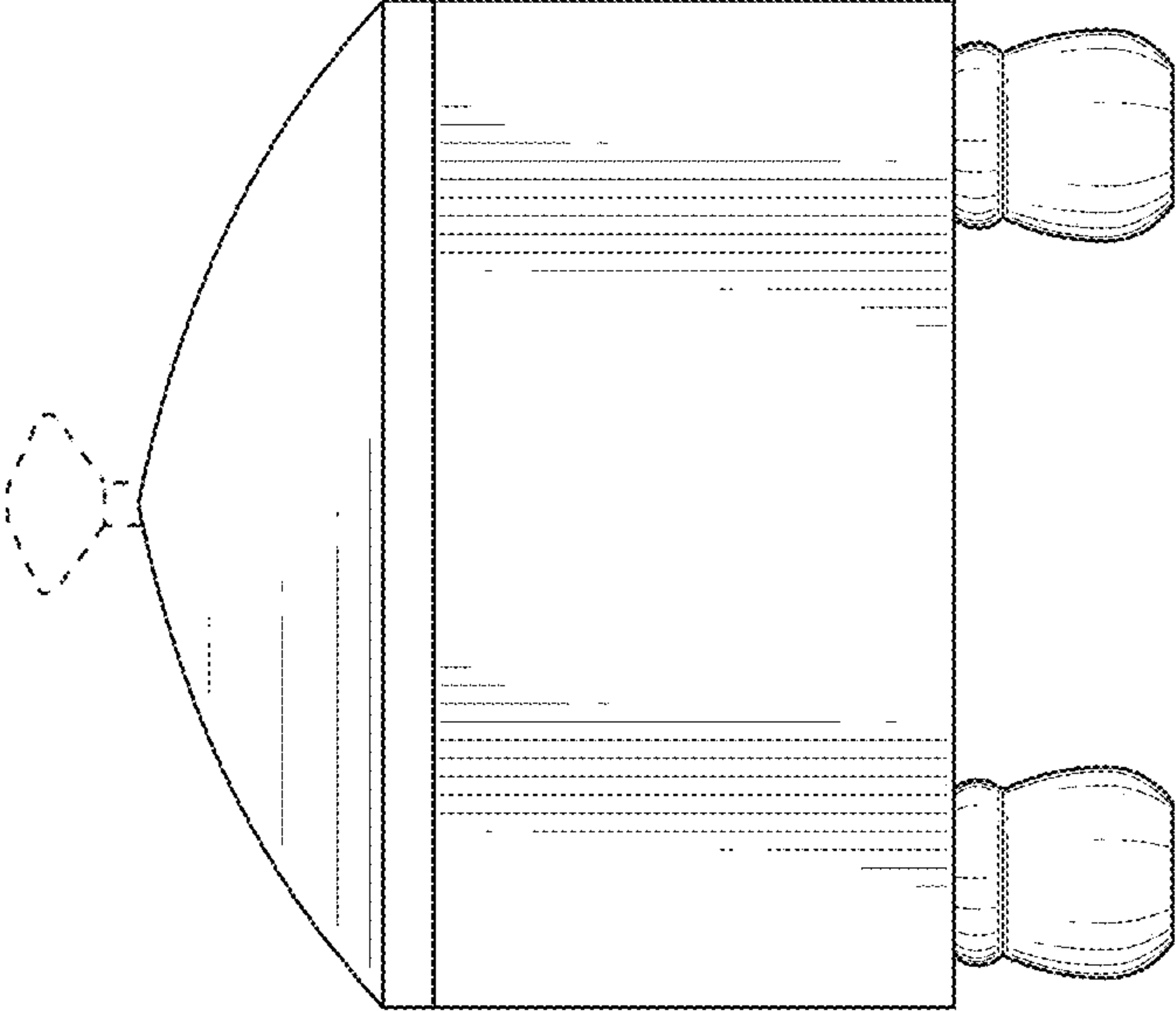


FIG. 5

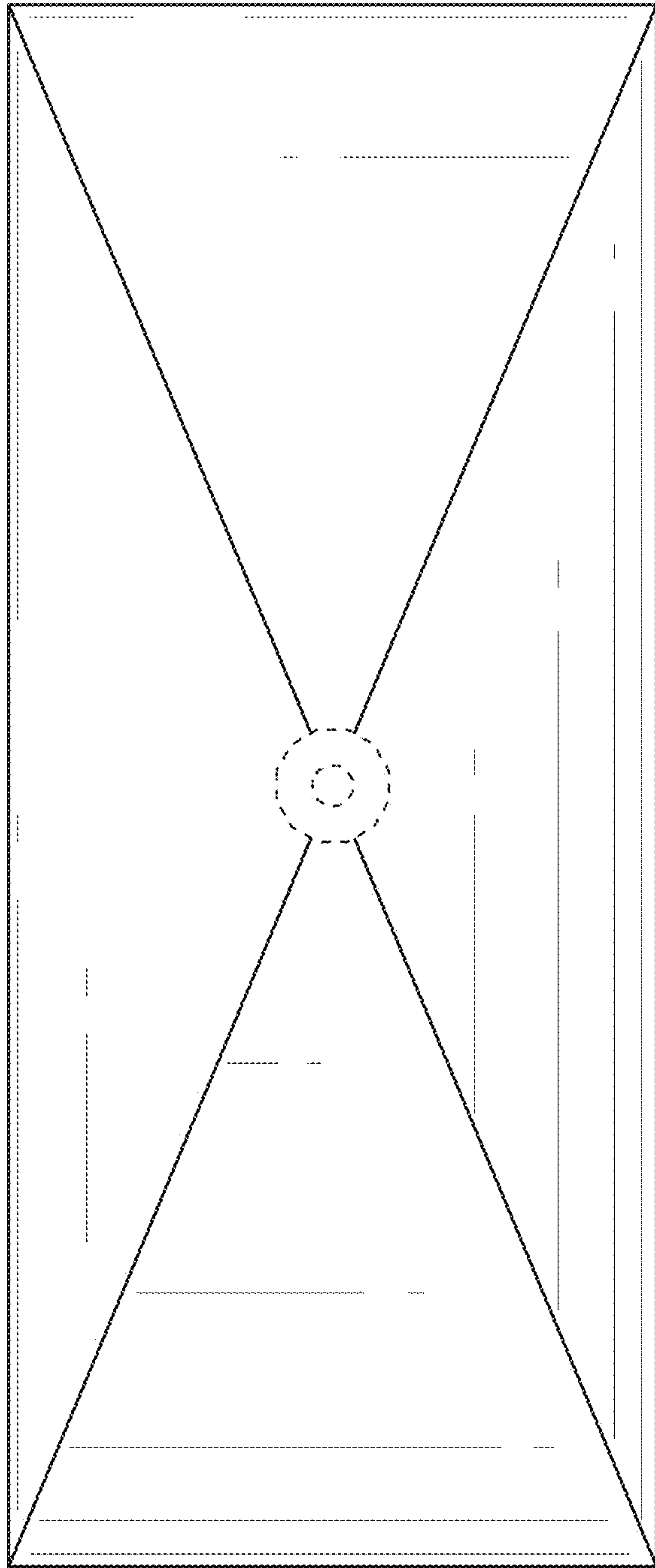


FIG. 6

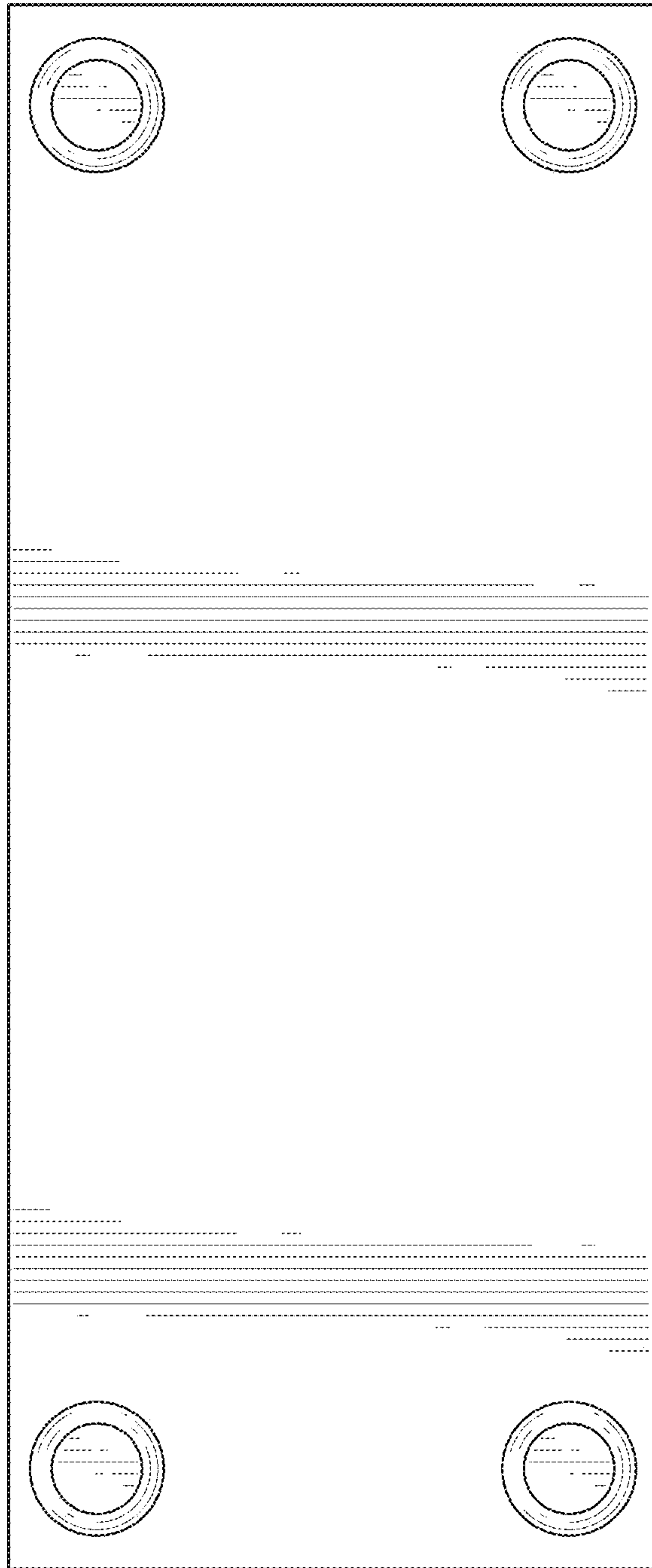


FIG. 7

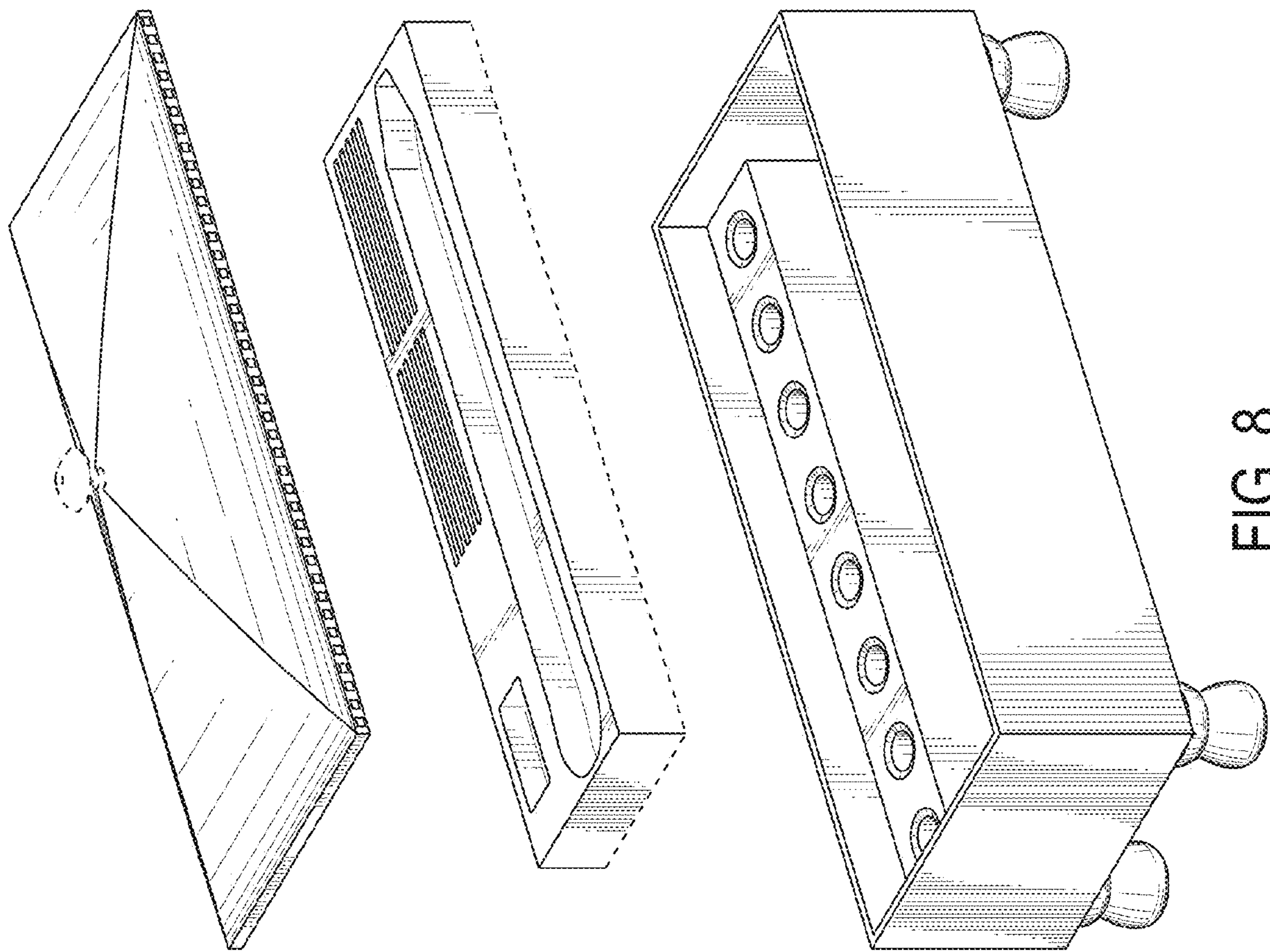


FIG. 8

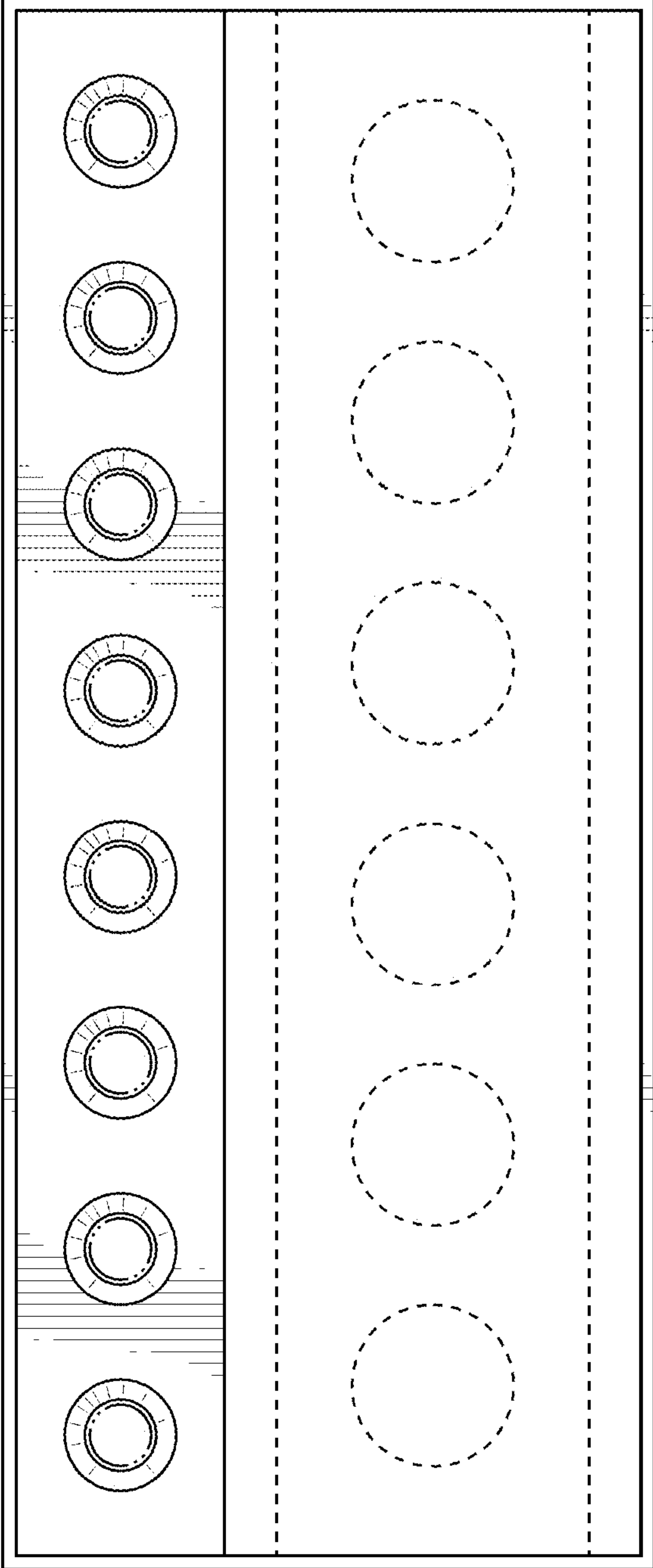


FIG. 9