



US00D878756S

(12) **United States Design Patent**
Renken

(10) **Patent No.:** **US D878,756 S**
(45) **Date of Patent:** **** Mar. 24, 2020**

(54) **CHEST FOR DROP DELIVERY SYSTEM**

(71) Applicant: **Joshua M. Renken**, Sangamon County, IL (US)

(72) Inventor: **Joshua M. Renken**, Sangamon County, IL (US)

(**) Term: **15 Years**

(21) Appl. No.: **29/601,056**

(22) Filed: **Apr. 18, 2017**

(51) **LOC (12) Cl.** **03-01**

(52) **U.S. Cl.**
USPC **D3/272; D3/273**

(58) **Field of Classification Search**
USPC D3/272, 273, 276, 279, 289, 318, 321, D3/322, 328
CPC A45C 5/00; A45C 5/03; A45C 5/04; G07D 11/0093
See application file for complete search history.

(56) **References Cited**

U.S. PATENT DOCUMENTS

- 3,913,741 A * 10/1975 Pirie B65D 21/0223
206/508
- 4,084,520 A * 4/1978 Frier E05G 1/00
109/56
- D330,328 S * 10/1992 DiSesa, Jr. D3/294

- D345,650 S * 4/1994 Boyd D3/294
- D386,904 S * 12/1997 Bradshaw, Jr. D3/273
- 5,732,878 A * 3/1998 Schroder E05G 1/005
109/53
- D440,042 S * 4/2001 Holahan D3/272
- D467,075 S * 12/2002 Fajers D3/273
- D467,076 S * 12/2002 Fajers D3/273
- D467,422 S * 12/2002 Fajers D3/273
- 7,669,704 B1 * 3/2010 Rayne A45C 1/12
109/66
- D646,057 S * 10/2011 Loaiza D3/273
- D777,428 S * 1/2017 Hsu D3/273

* cited by examiner

Primary Examiner — April Rivas

(74) *Attorney, Agent, or Firm* — Charles McCloskey

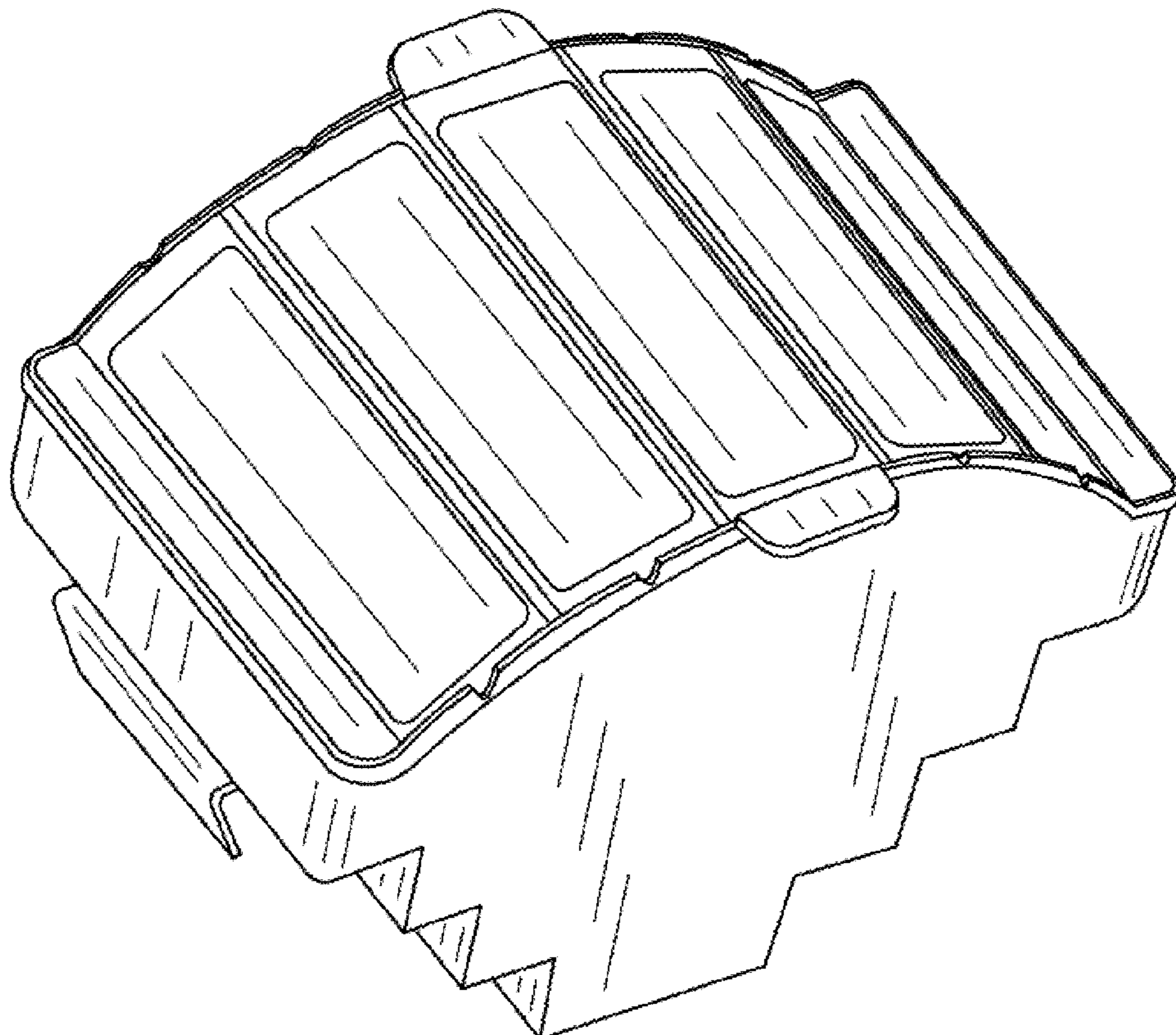
(57) **CLAIM**

The ornamental design for a chest for drop delivery system, as shown and described.

DESCRIPTION

FIG. 1 is a front view of the invention;
 FIG. 2 is a back view thereof;
 FIG. 3 is a left side view thereof;
 FIG. 4 is a right side view thereof;
 FIG. 5 is a top view thereof;
 FIG. 6 is a bottom view thereof;
 FIG. 7 is a perspective view thereof; and,
 FIG. 8 is an inverted perspective view thereof.

1 Claim, 2 Drawing Sheets



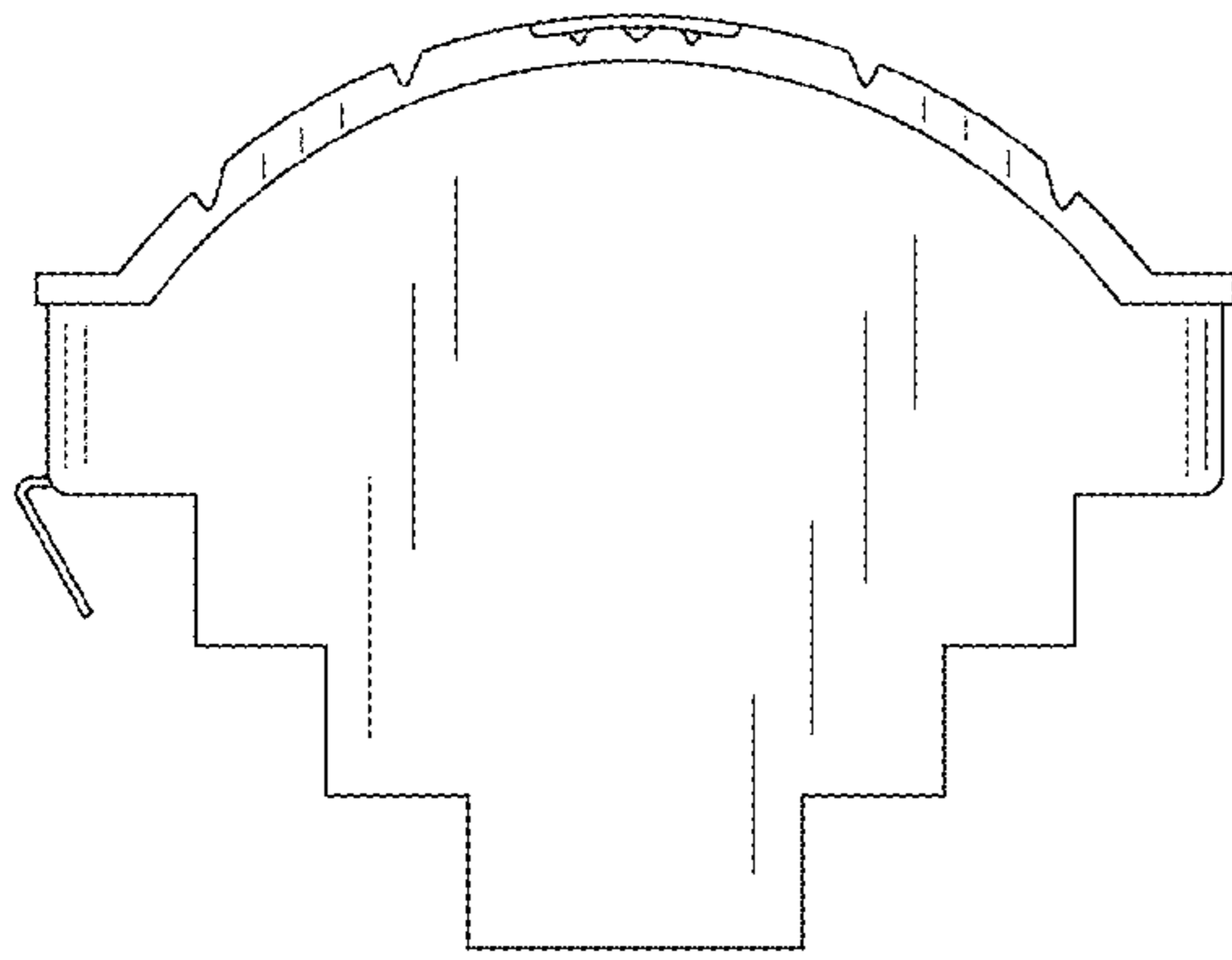


FIG. 1

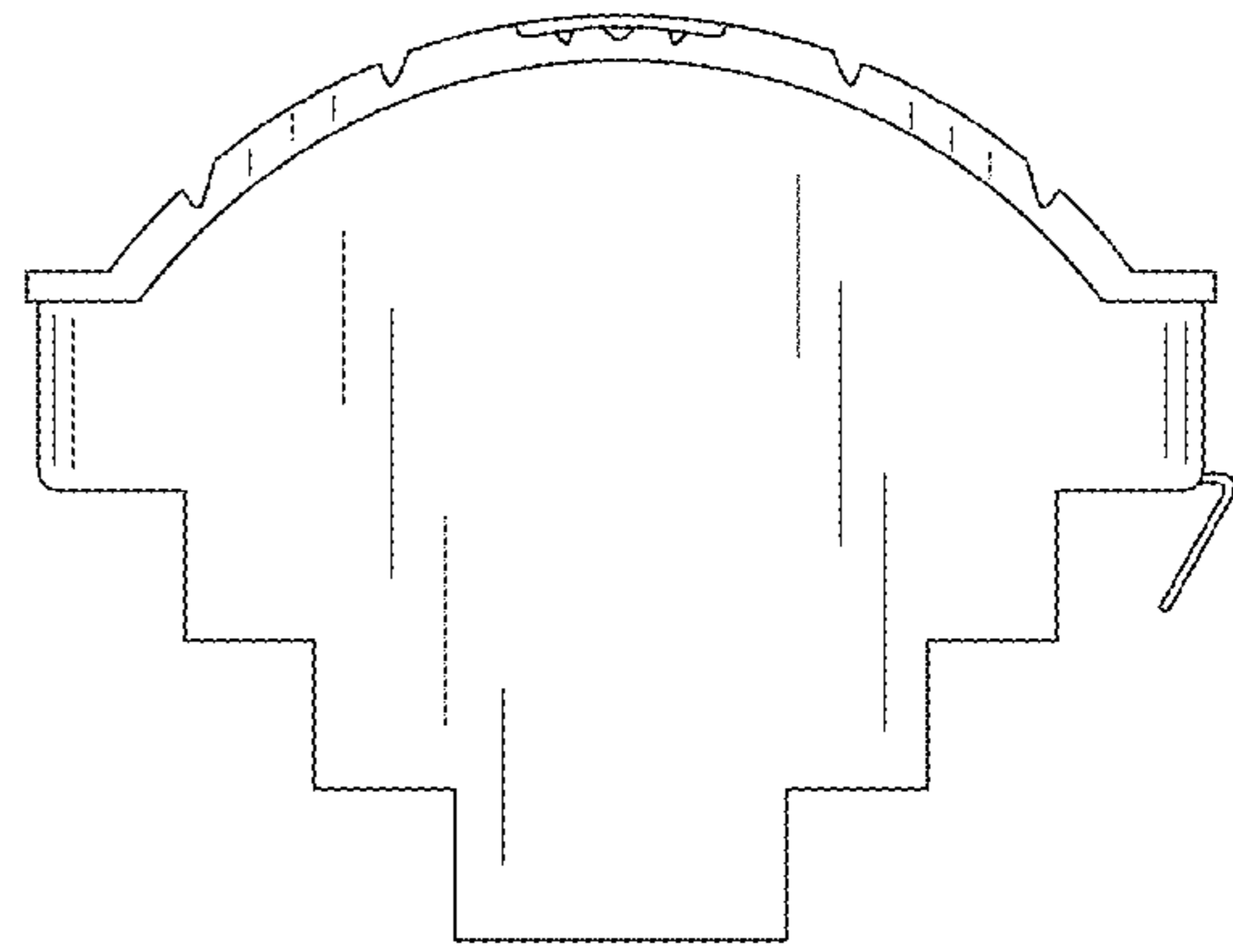


FIG. 2

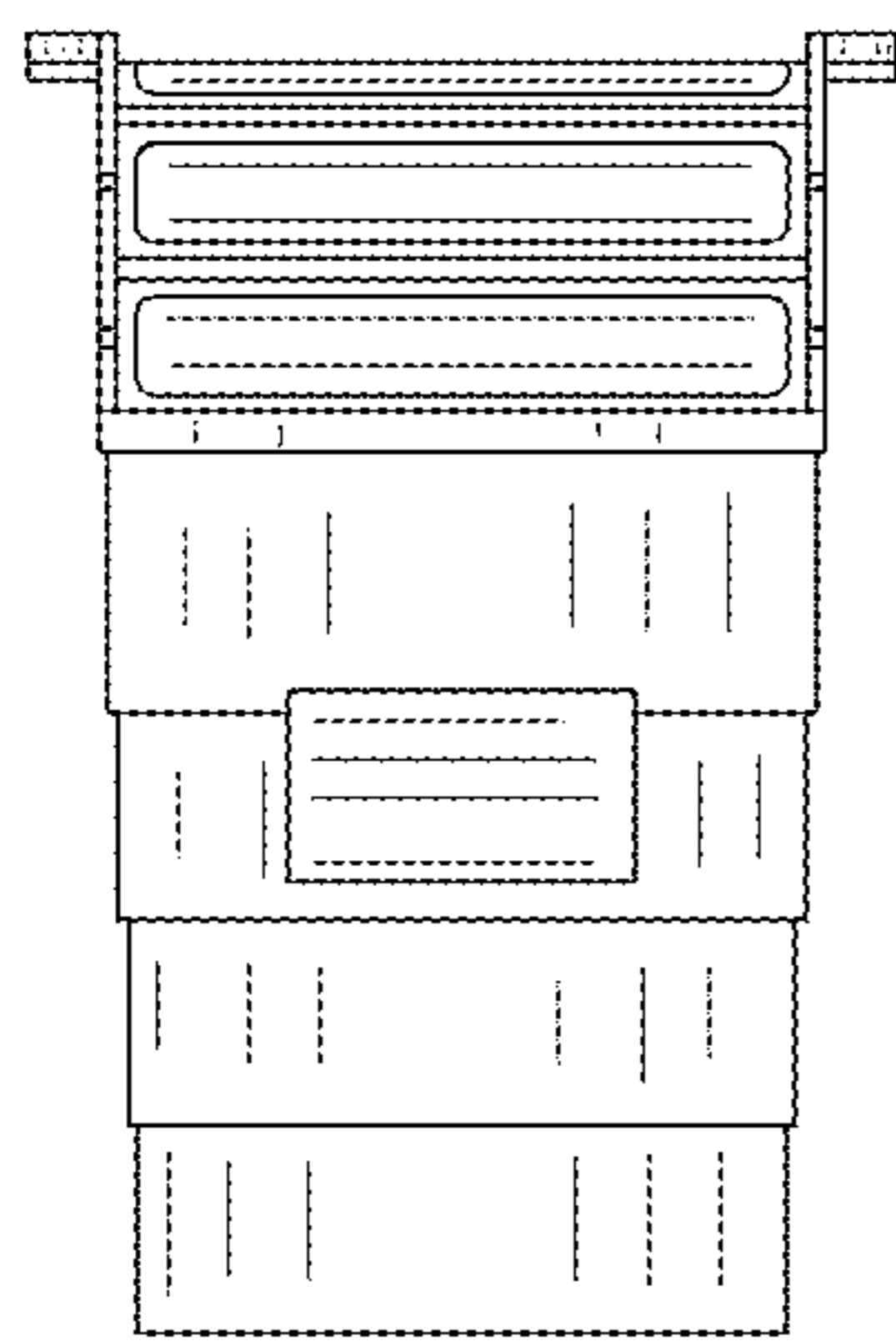


FIG. 3

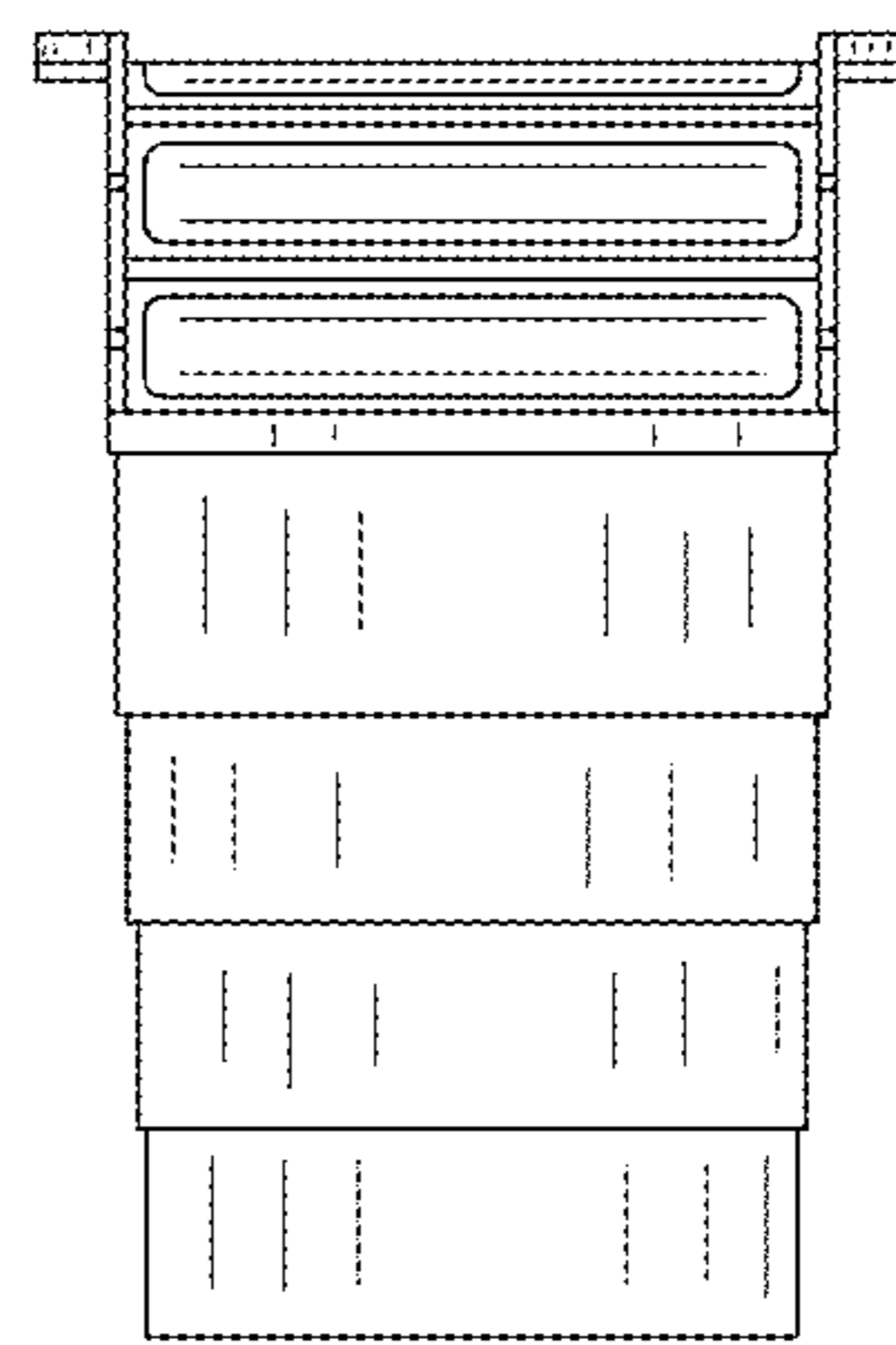


FIG. 4

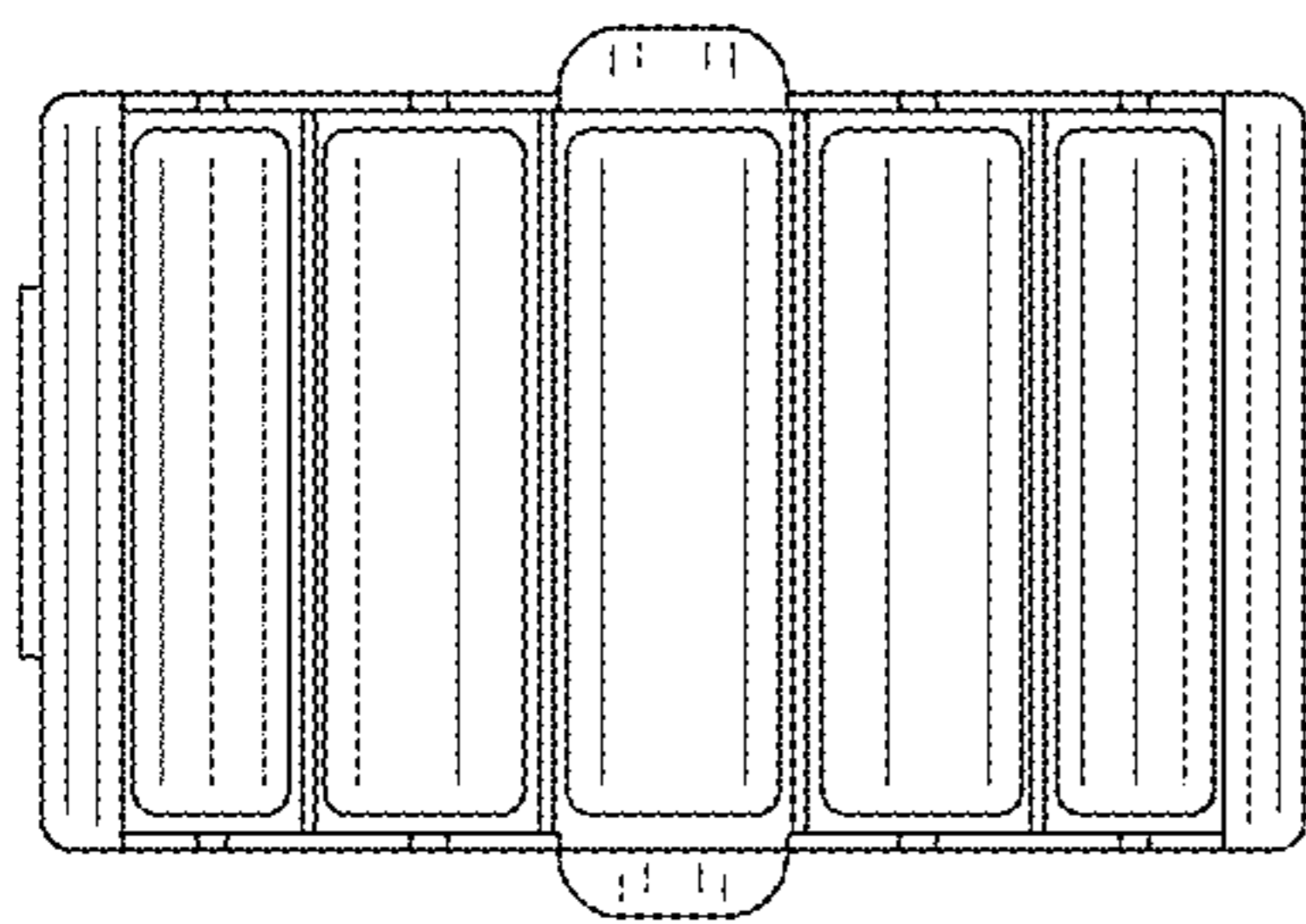


FIG. 5

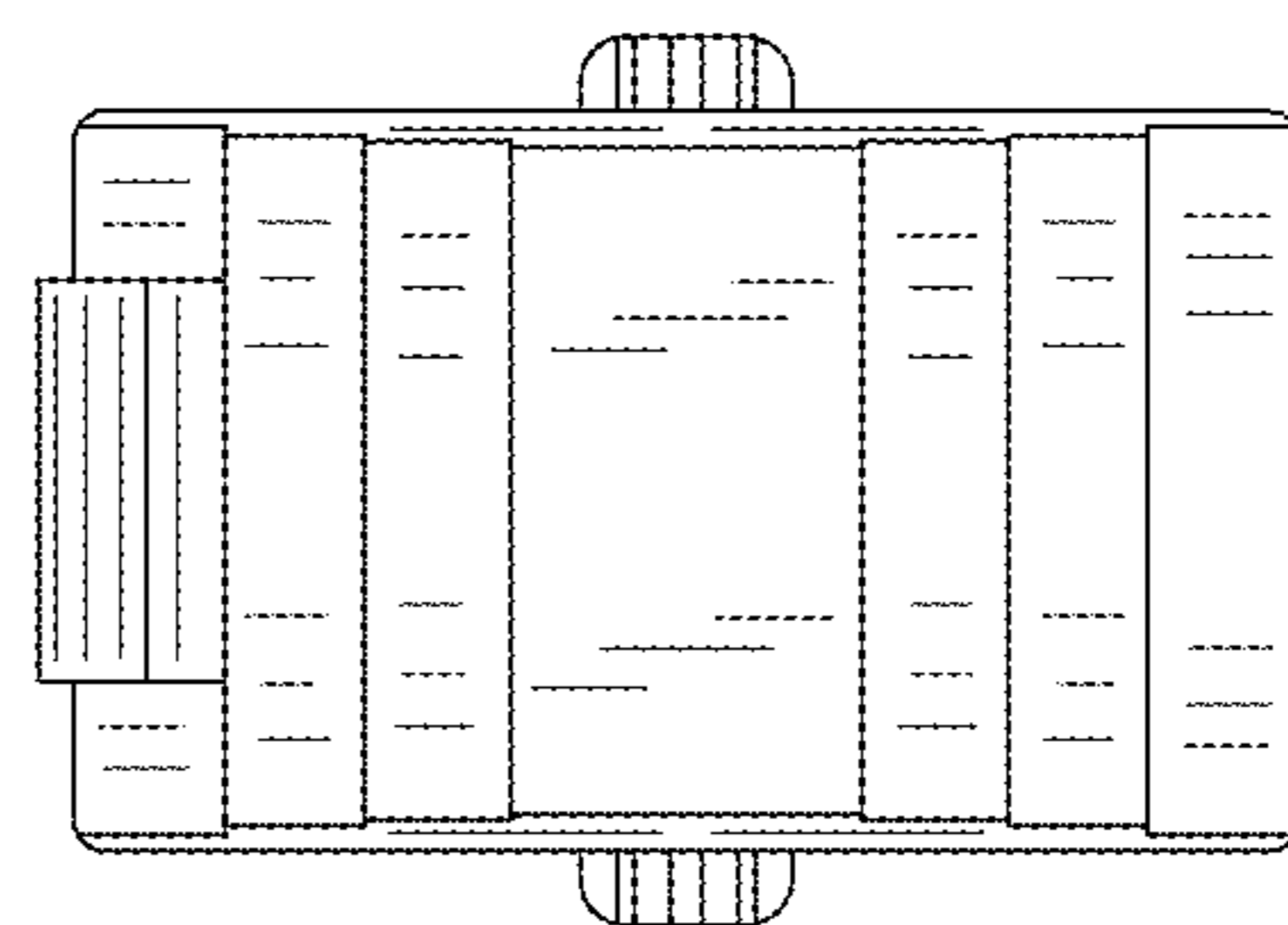


FIG. 6

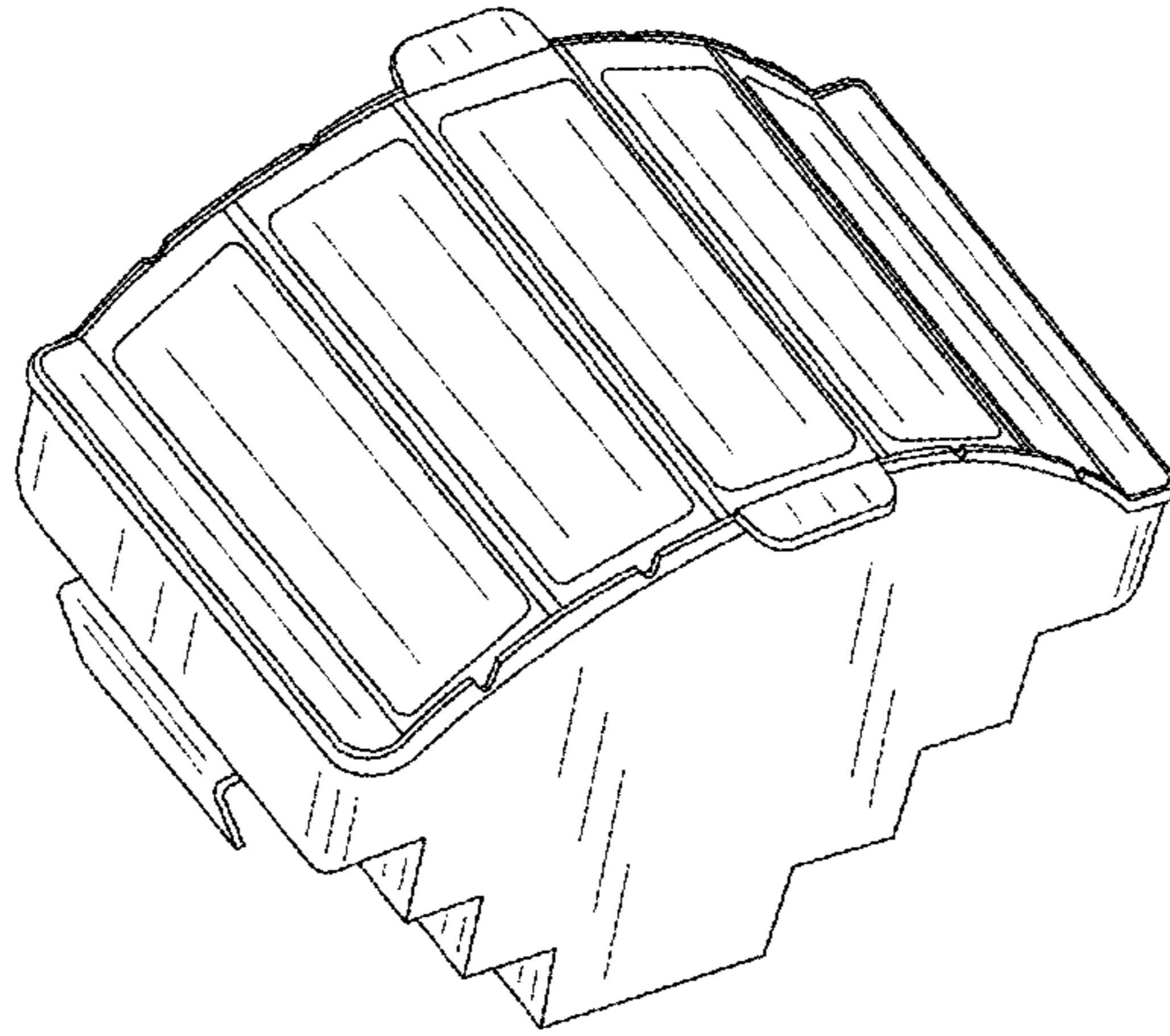


FIG. 7

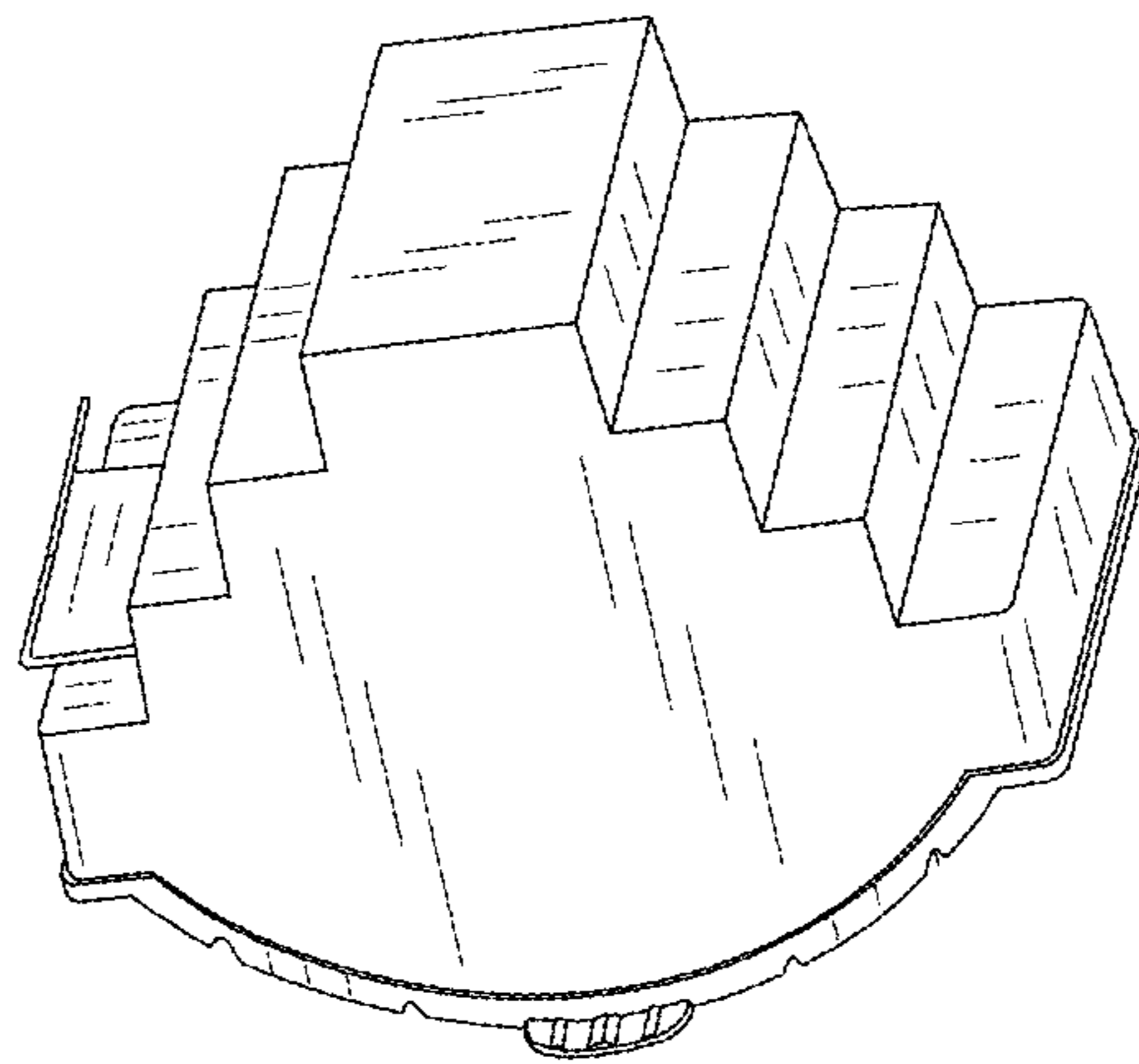


FIG. 8