

US00D878754S

(12) **United States Design Patent**
Lee et al.

(10) **Patent No.:** **US D878,754 S**
(45) **Date of Patent:** **** Mar. 24, 2020**

(54) **PROTECTIVE HANG COVER SKIN FOR ELECTRONIC DEVICE**

FOREIGN PATENT DOCUMENTS

(71) Applicant: **elago CO. LTD**, Goyang-si, Gyeonggi-do (KR)

CN 304616205 5/2018
CN 304814243 9/2018

(Continued)

(72) Inventors: **Chanwoo Lee**, Goyang-si (KR); **Chong Min Kim**, Seoul (KR)

OTHER PUBLICATIONS

Kawaii Nation, "Gameboy Airpod Case", Accessed Feb. 5, 2020. (<https://kawaiination.com/products/gameboy-airpod-case>) (Year: 2020).*

(Continued)

(73) Assignee: **elago CO. LTD**, Goyang-si, Gyeonggi-Do (KR)

Primary Examiner — April Rivas

(**) Term: **15 Years**

(74) *Attorney, Agent, or Firm* — Paratus Law Group, PLLC

(21) Appl. No.: **29/707,975**

(57) **CLAIM**

(22) Filed: **Oct. 2, 2019**

The ornamental design for a protective hang cover skin for electronic device, as shown and described.

(51) **LOC (12) Cl.** **03-01**

DESCRIPTION

(52) **U.S. Cl.**
USPC **D3/270; D3/302**

(58) **Field of Classification Search**

USPC D3/201, 203.1, 203.2, 273, 274, 284, D3/285, 291, 289, 302, 276, 294, 295, D3/298, 318, 901, 902, 903, 270; D27/189, 190, 191; D28/82, 7
CPC ... A45C 5/00; A45C 2011/001; A45C 13/002; A45C 5/08; A45C 11/00; H04R 1/1025; H04R 1/1033

See application file for complete search history.

FIG. 1 is a front, top and right side perspective view of a protective hang cover skin for electronic device, showing the claimed design;
FIG. 2 is a front view thereof;
FIG. 3 is a back view thereof;
FIG. 4 is a left side view thereof;
FIG. 5 is a right side view thereof;
FIG. 6 is a top view thereof;
FIG. 7 is a bottom view thereof;
FIG. 8 is a front, bottom and left side perspective view thereof;
FIG. 9 is a rear, bottom and right side perspective view thereof;
FIG. 10 is a cross-sectional view taken along line 10-10 shown in FIG. 2; and,
FIG. 11 is a front, top and right side perspective view thereof with a top portion open in use.
The broken lines shown in FIG. 11 depict environment and form no part of the claimed design.

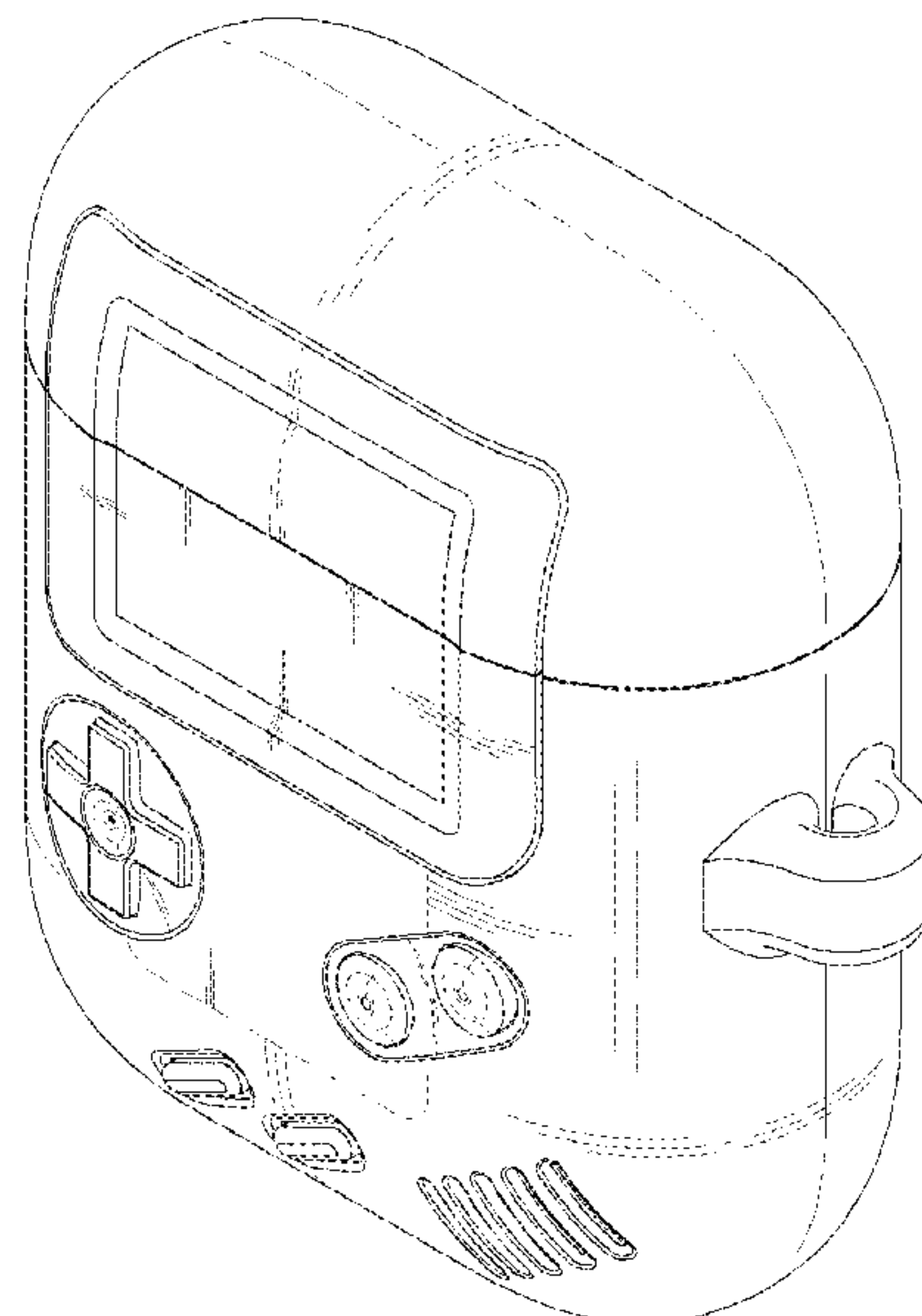
(56) **References Cited**

U.S. PATENT DOCUMENTS

D318,884 S 8/1991 Kojo
5,095,798 A 3/1992 Okada et al.
D329,470 S 9/1992 Kaneko
D332,633 S 1/1993 Kojima
D342,762 S 12/1993 Wing
D347,247 S 5/1994 Ho

(Continued)

1 Claim, 10 Drawing Sheets



(56)

References Cited

U.S. PATENT DOCUMENTS

D349,929 S 8/1994 Lee
D364,850 S 12/1995 Estrada et al.
D383,798 S 9/1997 Yokoi et al.
D394,883 S 6/1998 Tsui
D410,500 S 6/1999 Toma et al.
D414,439 S 9/1999 Sugino
D416,291 S 11/1999 Sugino
D424,626 S 5/2000 Goto
D434,087 S 11/2000 Goto
D779,946 S * 2/2017 Tulencik D3/318
D794,617 S * 8/2017 Wright D14/203.3
D801,685 S * 11/2017 Meng D3/294
D805,774 S * 12/2017 Sun D3/294
D806,388 S 1/2018 Akana et al.
D818,268 S 5/2018 Akana et al.
D851,652 S 6/2019 Lee et al.
D868,453 S * 12/2019 Lee D3/201
D868,465 S * 12/2019 Lee D3/269

D869,161 S * 12/2019 Zhong D3/294
D872,468 S * 1/2020 Lee D3/269
D872,469 S * 1/2020 Lee D3/269

FOREIGN PATENT DOCUMENTS

CN 304841049 10/2018
CN 305122245 4/2019
CN 305127683 4/2019
CN 305339249 9/2019
GB 2025304 12/1992

OTHER PUBLICATIONS

Redmond Pie, "This Case Adds A Second Color Screen To The Back Of iPhone . . .", Posted Jan. 8, 2020. (<https://www.redmondpie.com/game-boy-color-iphone-case-with-built-in-36-classic-games-is-here/>) (Year: 2020).*

* cited by examiner

FIG. 1

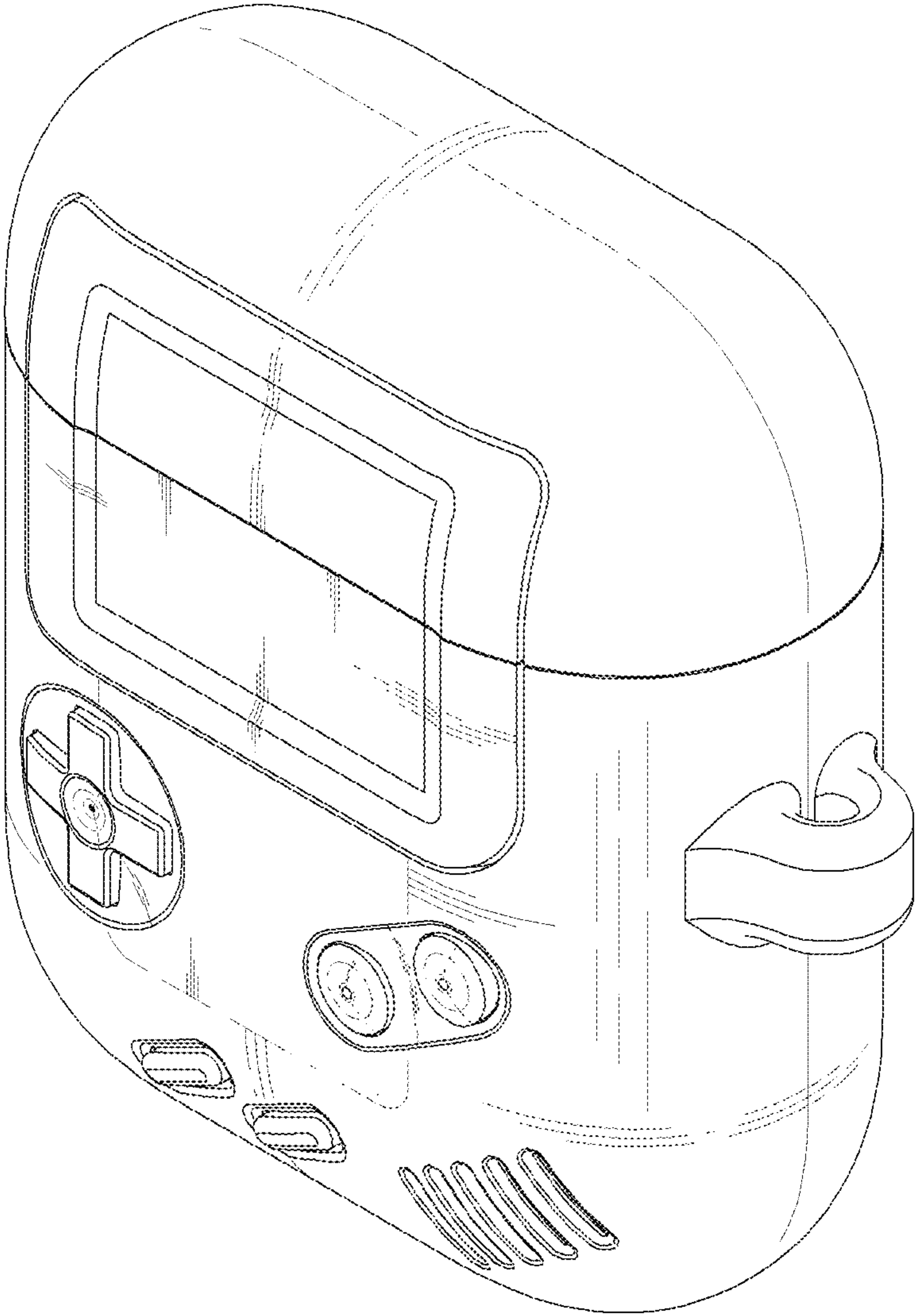


FIG. 2

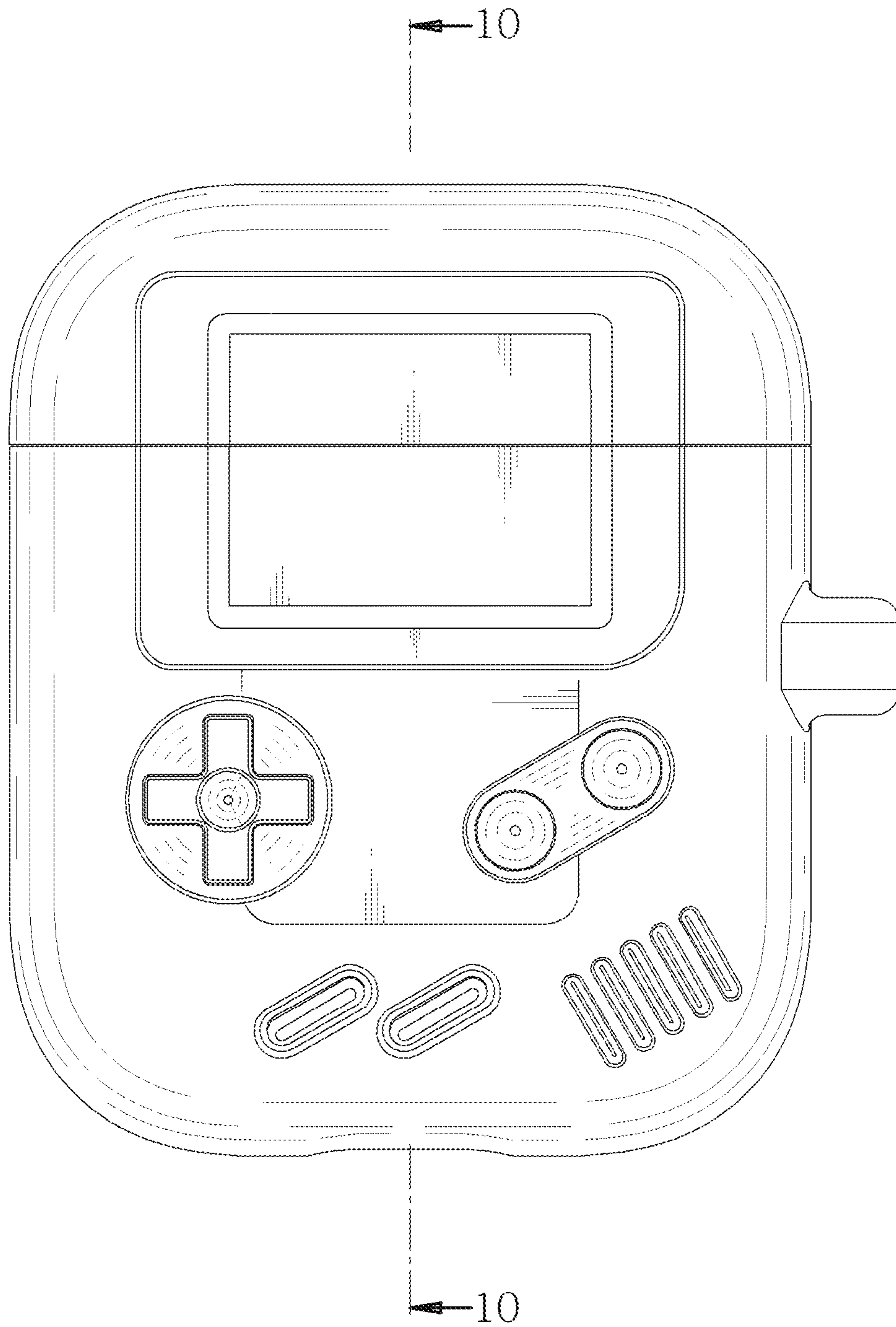


FIG. 3

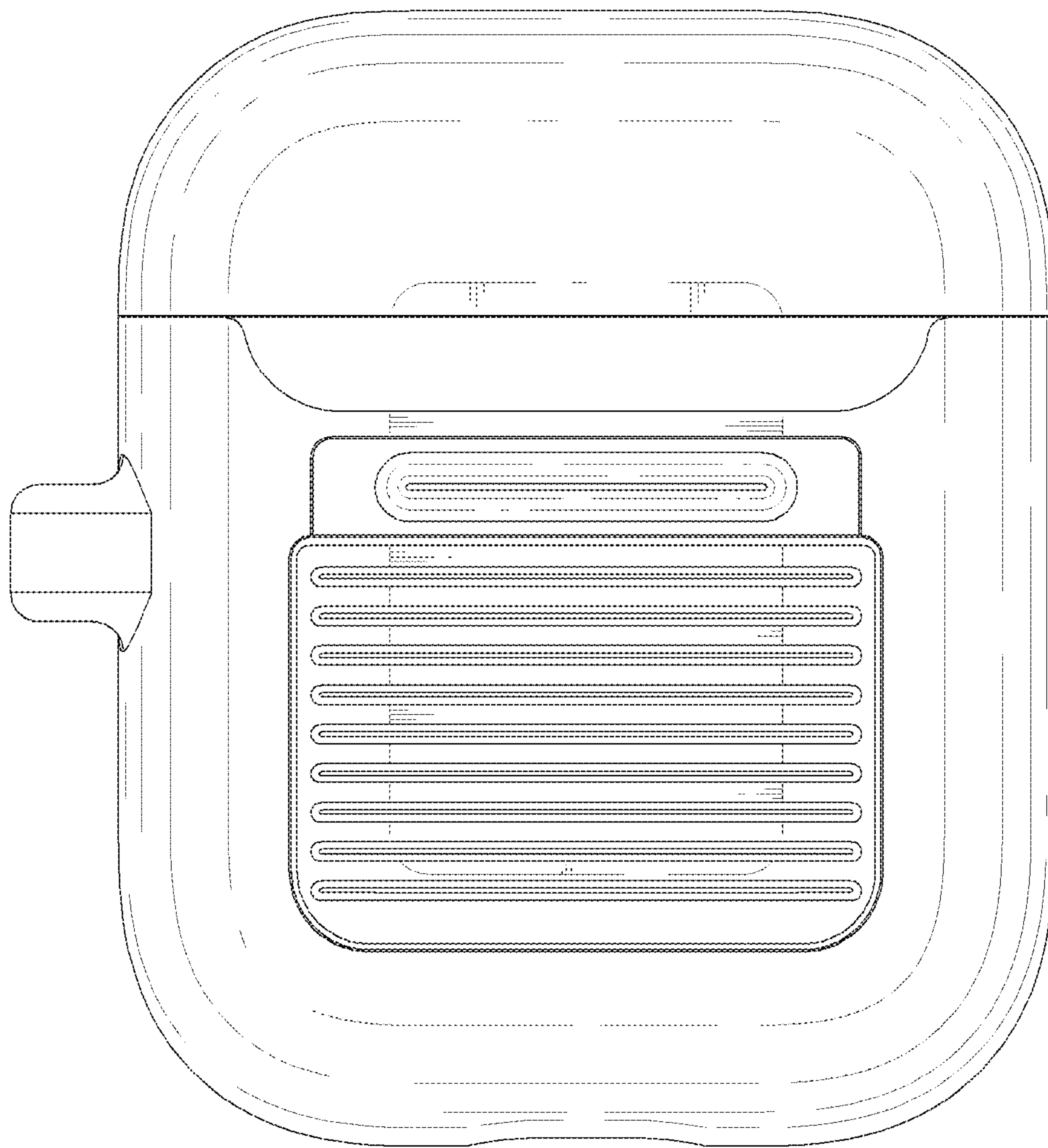


FIG. 4

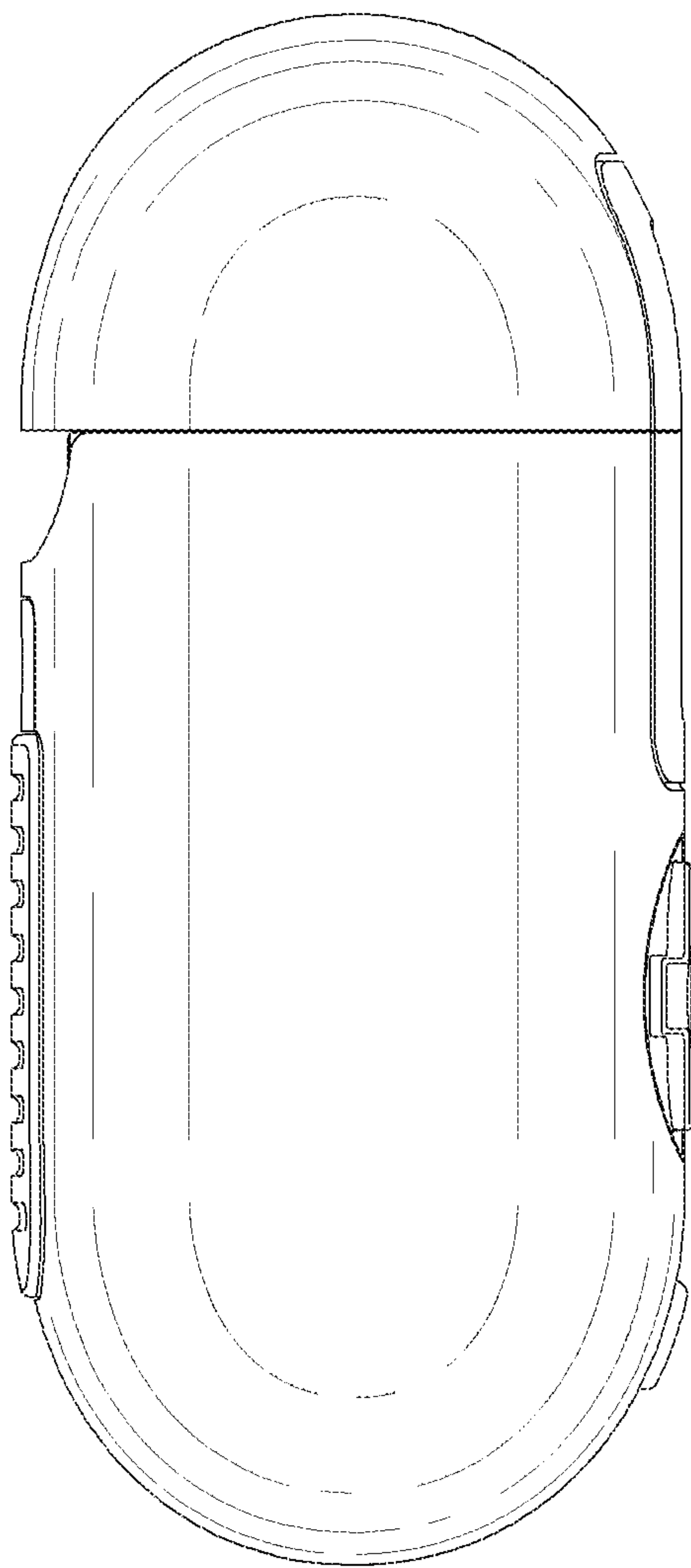


FIG. 5

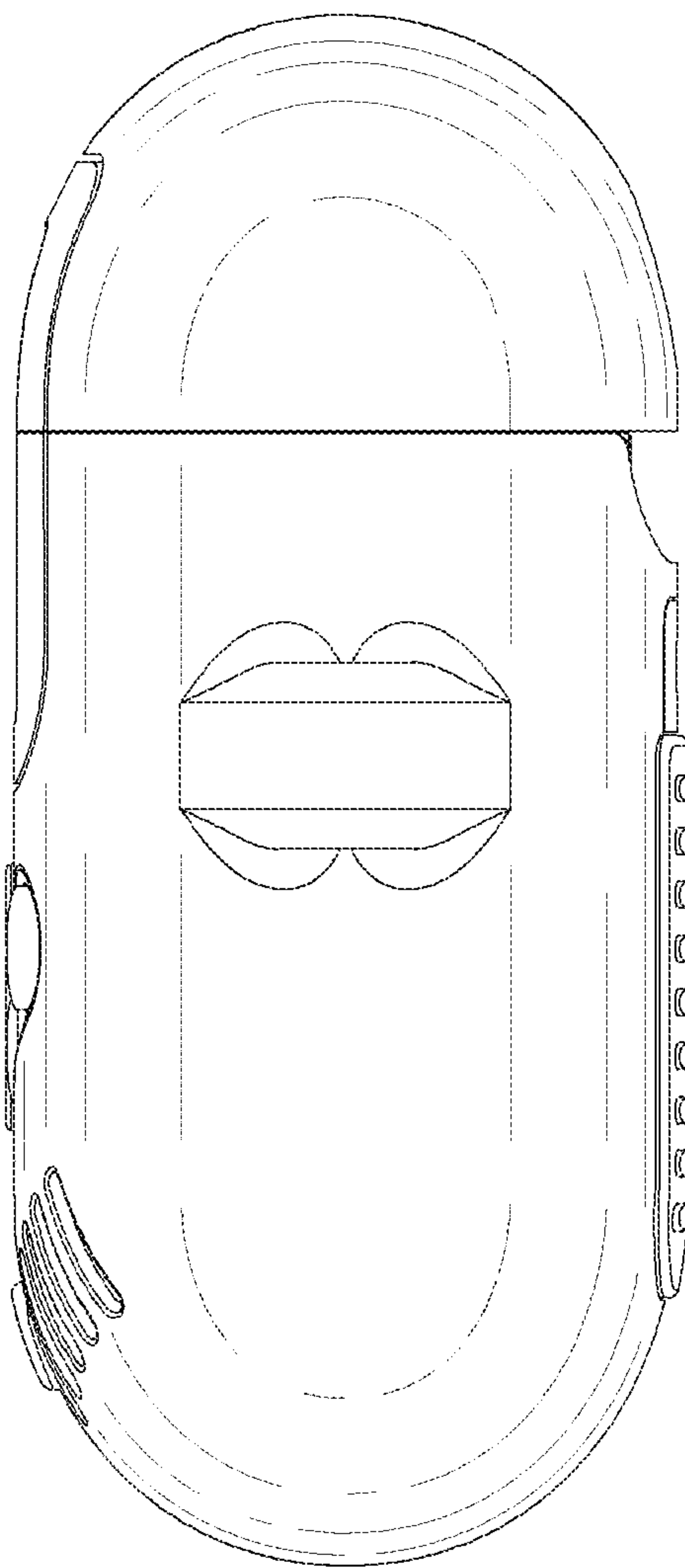


FIG. 6

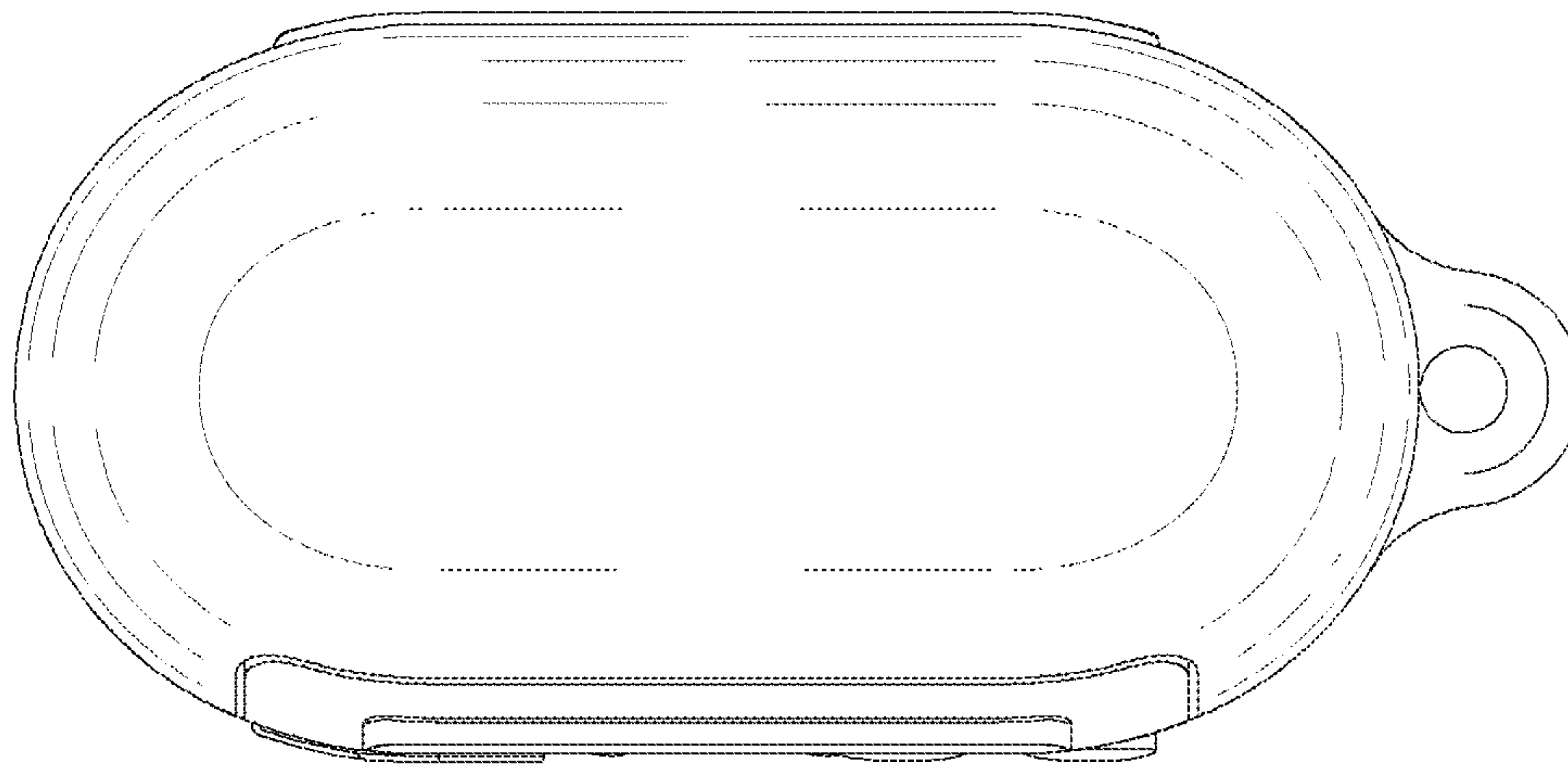


FIG. 7

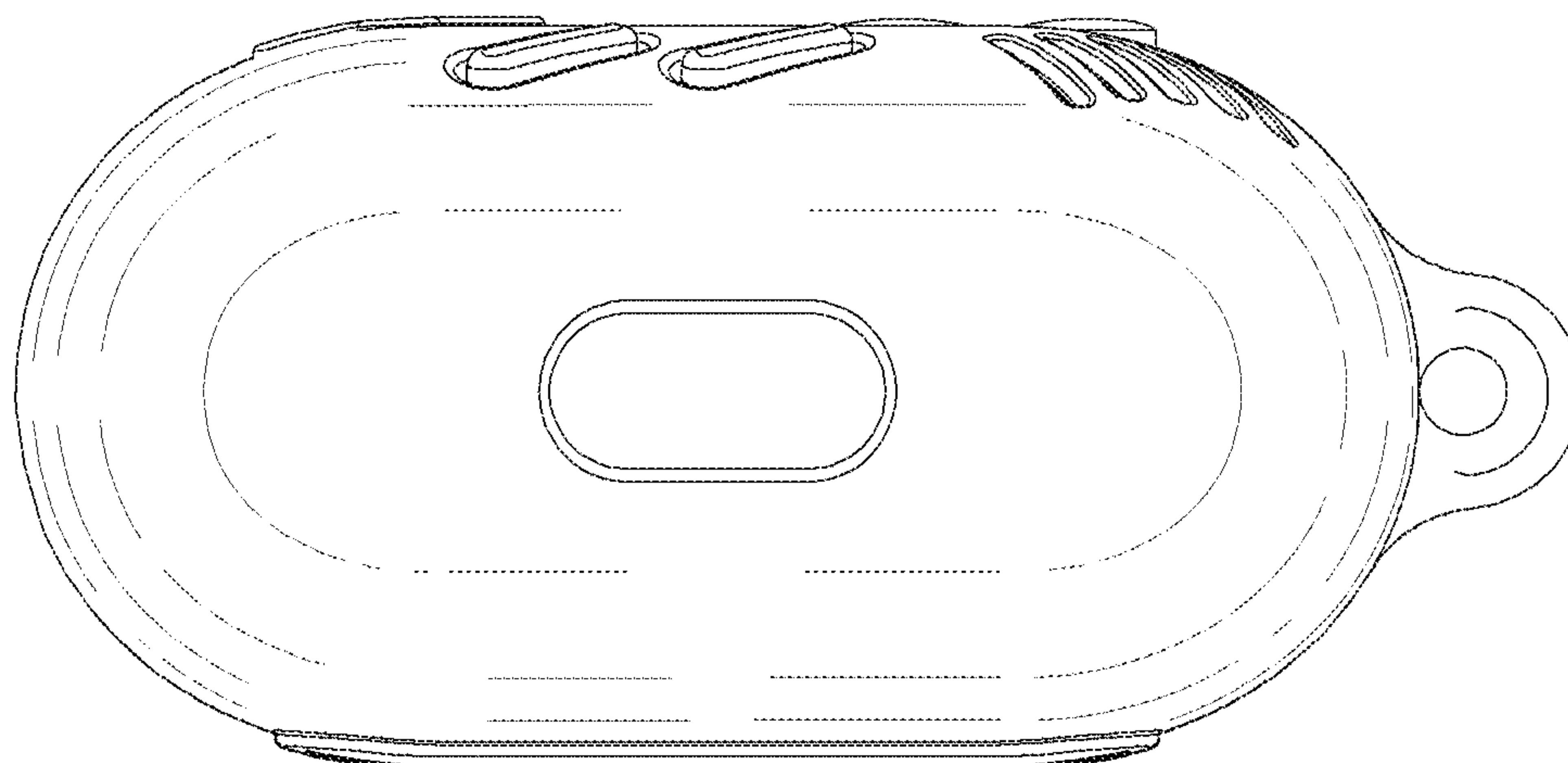


FIG. 8

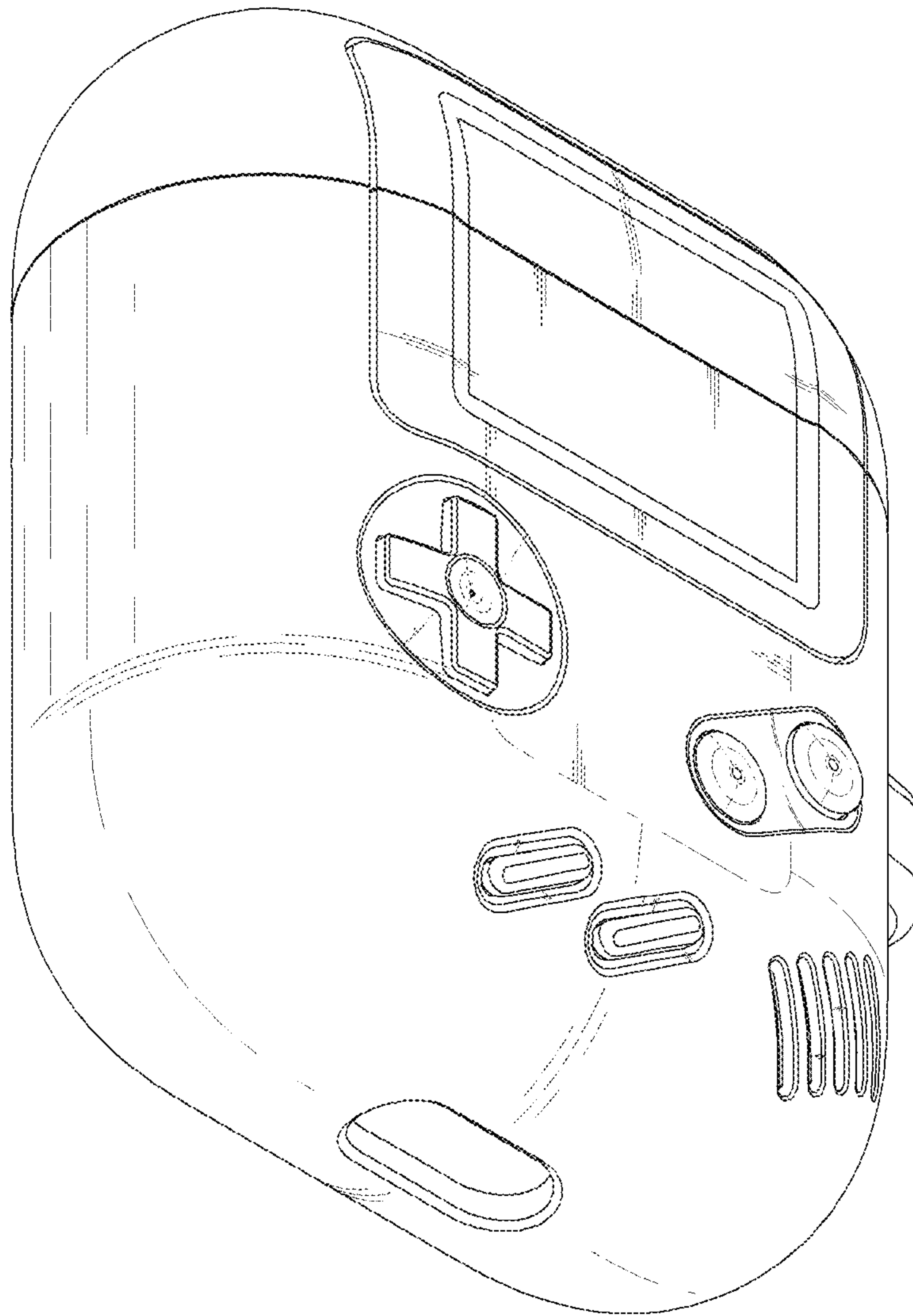


FIG. 9

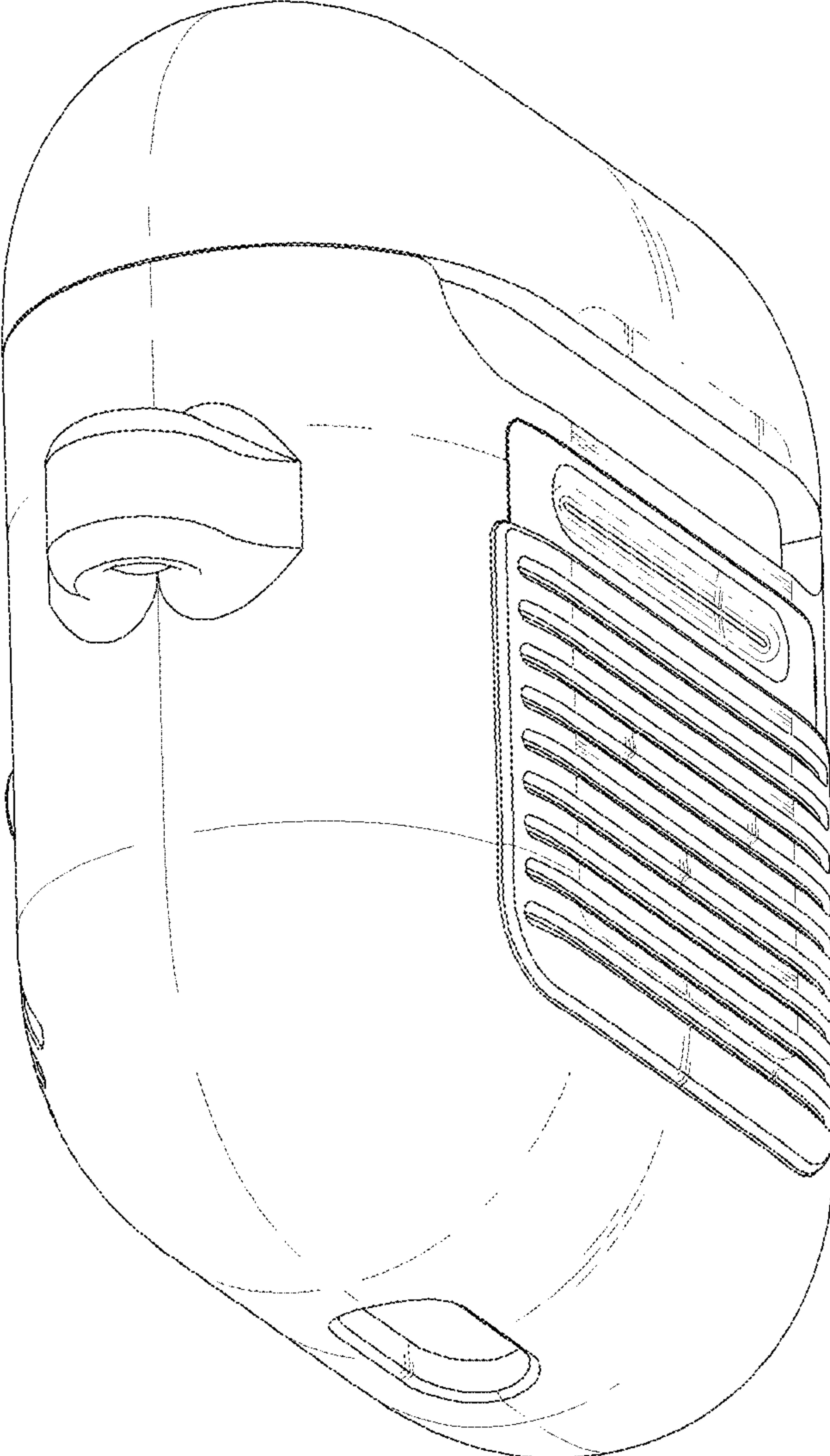


FIG. 10

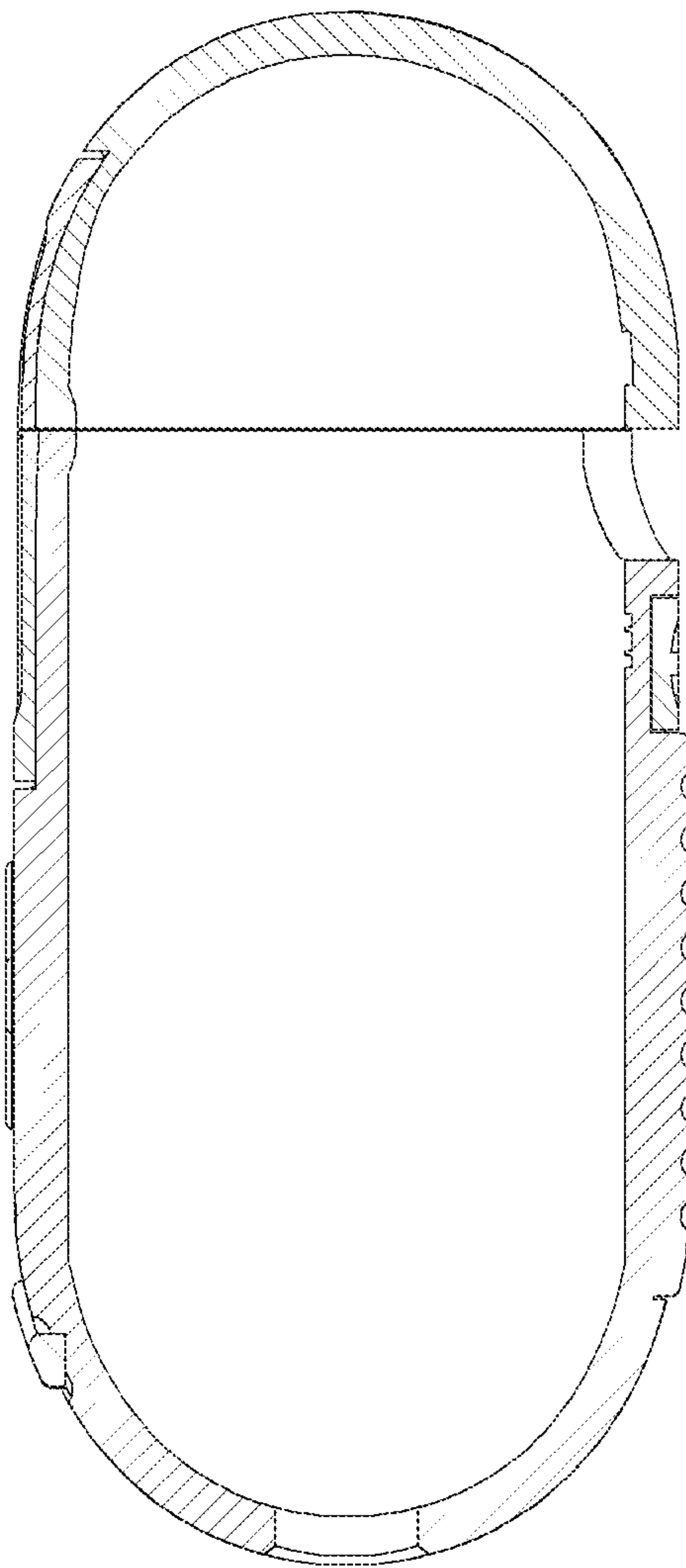


FIG. 11

