



US00D878753S

(12) **United States Design Patent**
Nolan et al.

(10) **Patent No.:** **US D878,753 S**
(45) **Date of Patent:** **** Mar. 24, 2020**

- (54) **GIMBAL HANDLING DEVICE**
- (71) Applicant: **FLIR Systems, Inc.**, Wilsonville, OR (US)
- (72) Inventors: **John Nolan**, North Billerica, MA (US); **Chester Clark**, Field, IN (US); **Walter Gauthier**, North Billerica, MA (US)
- (73) Assignee: **FLIR Systems, Inc.**, Wilsonville, OR (US)
- (**) Term: **15 Years**
- (21) Appl. No.: **29/554,005**
- (22) Filed: **Feb. 5, 2016**
- (51) **LOC (12) Cl.** **03-01**
- (52) **U.S. Cl.**
USPC **D3/269**
- (58) **Field of Classification Search**
USPC D3/269, 201, 215-219, 273, 276, 290, D3/315, 318, 327, 328; D32/50-53; D4/199
CPC A46B 3/00; A46B 3/08
See application file for complete search history.

(56) **References Cited**

U.S. PATENT DOCUMENTS

| | | | | | |
|------------|---|---------|--------------|-------|-----------|
| D293,391 S | * | 12/1987 | Preston | | D3/204 |
| D308,602 S | * | 6/1990 | St. Pierre | | 206/579 |
| D525,428 S | * | 7/2006 | Bryant | | D3/269 |
| D529,284 S | * | 10/2006 | Limber | | A45C 5/08 |
| | | | | | D3/269 |
| D529,285 S | * | 10/2006 | Limber | | D3/269 |
| D529,286 S | * | 10/2006 | Limber | | D3/269 |
| D544,206 S | * | 6/2007 | Lindars | | D3/269 |
| D552,148 S | * | 10/2007 | Yamakawa | | D16/203 |
| D577,856 S | * | 9/2008 | Kim | | D26/140 |
| D608,811 S | | 1/2010 | Frank et al. | | |
| D609,732 S | | 2/2010 | Frank et al. | | |

| | | | | | |
|--------------|---|---------|-------------------|-------|------------|
| D610,347 S | * | 2/2010 | Gilbert | | D3/269 |
| D715,661 S | | 10/2014 | Mckaughan et al. | | |
| D715,662 S | | 10/2014 | Aicher et al. | | |
| D722,635 S | | 2/2015 | Richardson et al. | | |
| D723,395 S | | 3/2015 | Dispenza et al. | | |
| D728,234 S | * | 5/2015 | Muller | | D3/201 |
| D731,179 S | * | 6/2015 | Bernson | | D3/269 |
| 9,232,778 B1 | * | 1/2016 | De Sernia | | A01K 97/10 |
| D772,562 S | * | 11/2016 | Petre | | D3/216 |
| D794,948 S | * | 8/2017 | Wright | | D21/683 |
| D804,166 S | * | 12/2017 | McCoy | | D3/216 |
| D807,026 S | * | 1/2018 | Lawhorn | | D3/216 |
| D818,027 S | * | 5/2018 | Ravat | | D16/203 |
| D819,106 S | * | 5/2018 | Elmieh | | D16/202 |

* cited by examiner

Primary Examiner — Holly E Thurman

(74) *Attorney, Agent, or Firm* — Haynes and Boone, LLP

(57) **CLAIM**

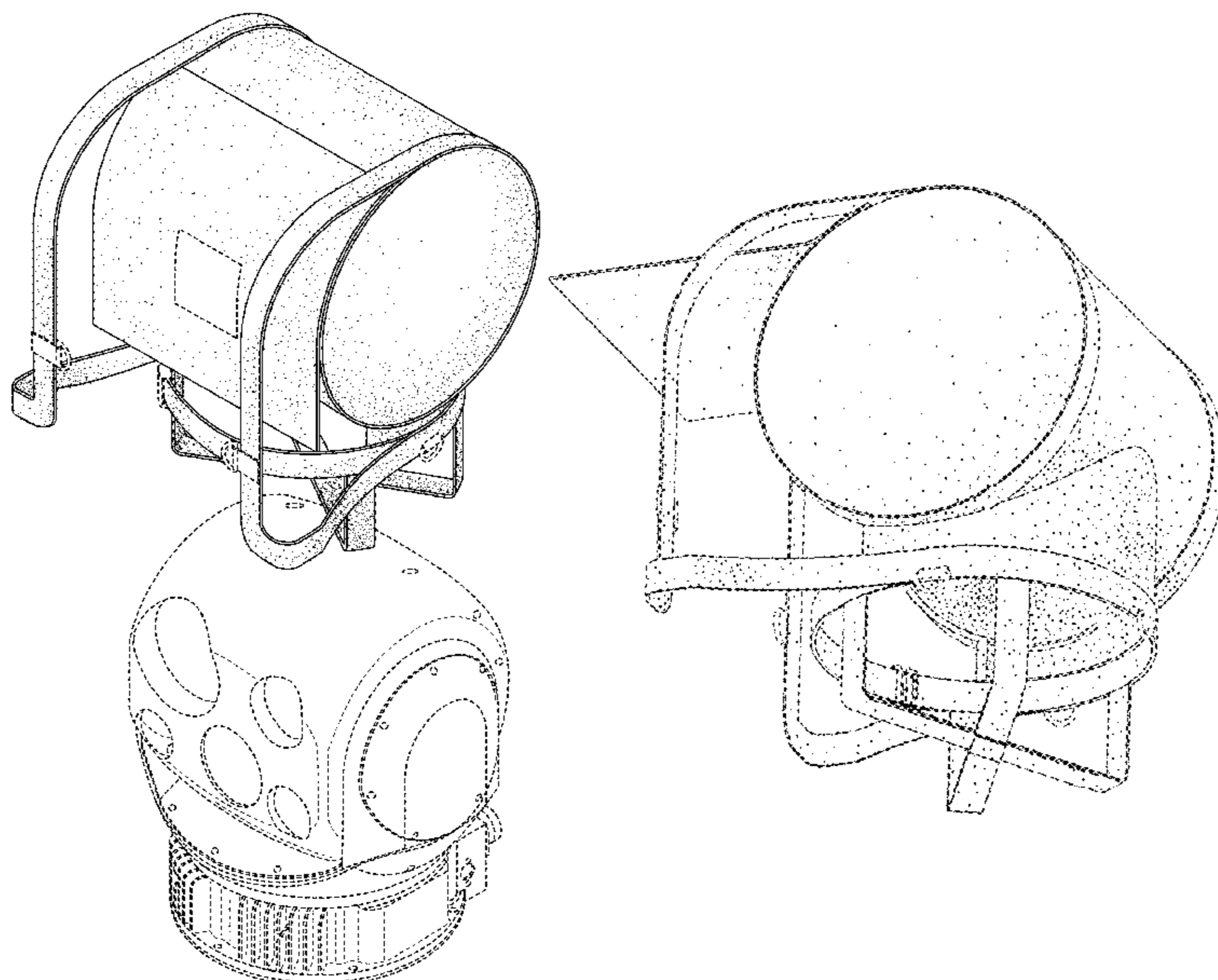
The ornamental design for a gimbal handling device, as shown and described.

DESCRIPTION

FIG. 1 is a front, left, and top perspective view of a gimbal handling device embodying our new design;
 FIG. 2 is a front elevational view thereof;
 FIG. 3 is a rear elevational view thereof;
 FIG. 4 is a right side elevational view thereof;
 FIG. 5 is a left side elevational view thereof;
 FIG. 6 is a top plan view thereof;
 FIG. 7 is a bottom plan view thereof; and,
 FIG. 8 is a front, left and top perspective view thereof, shown with the flap in a raised condition of use.

The stippling in the figures is shown for the purpose of illustrating surface shading of the claimed design. The broken lines in the figures are shown for the purpose of illustrating portions of the gimbal handling device or environmental matter that form no part of the claimed design.

1 Claim, 8 Drawing Sheets



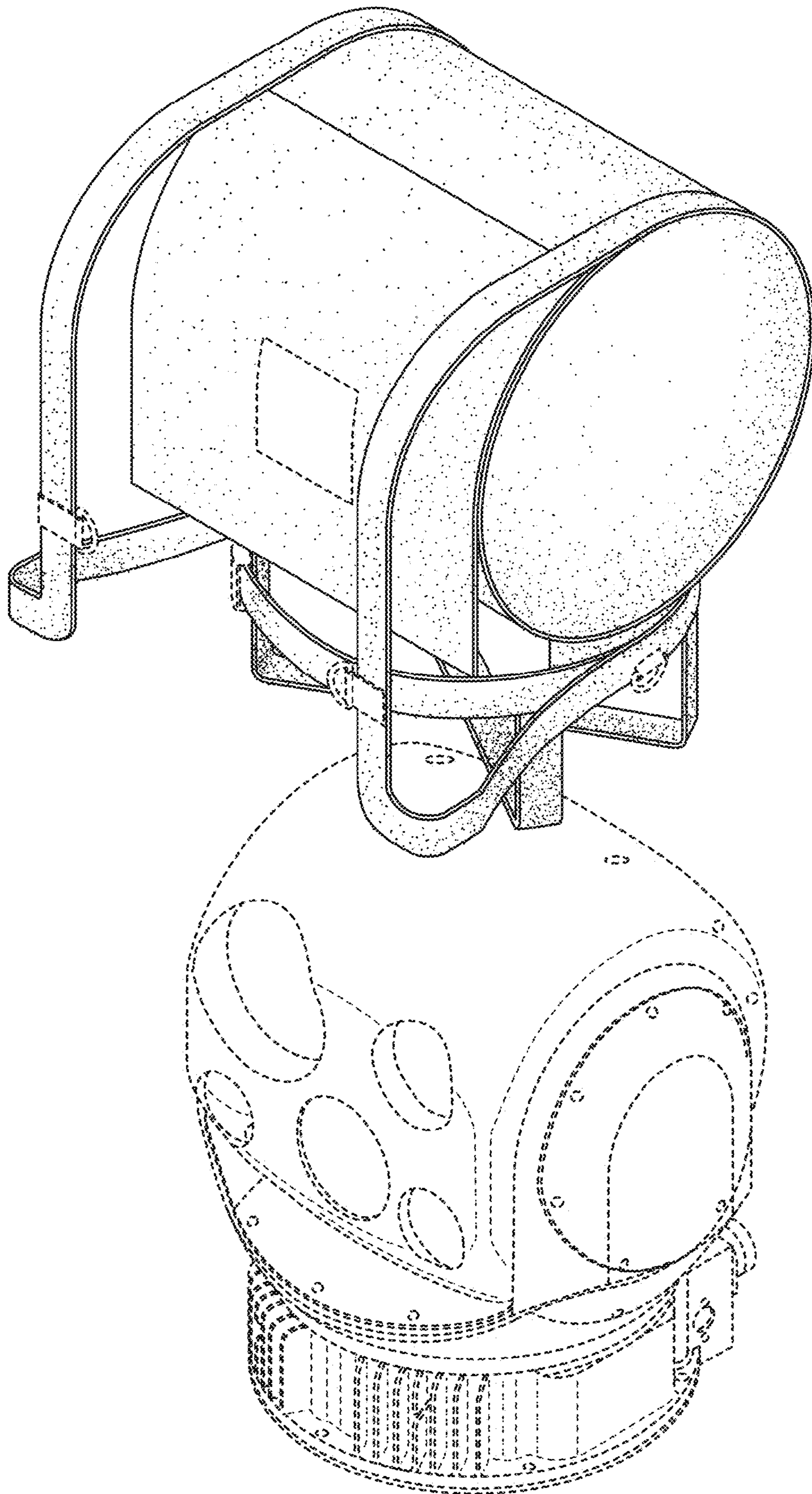


FIG. 1

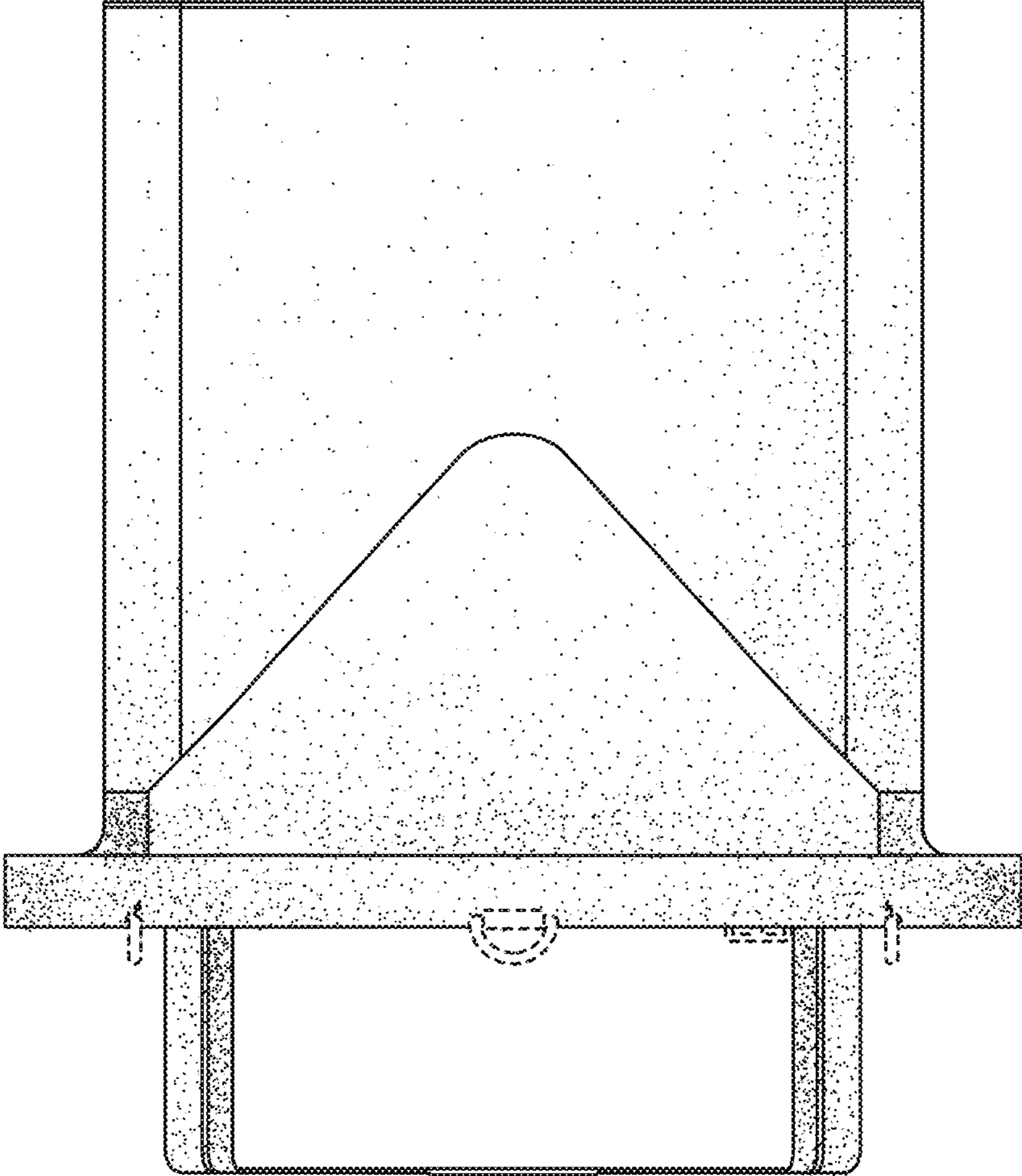


FIG. 3

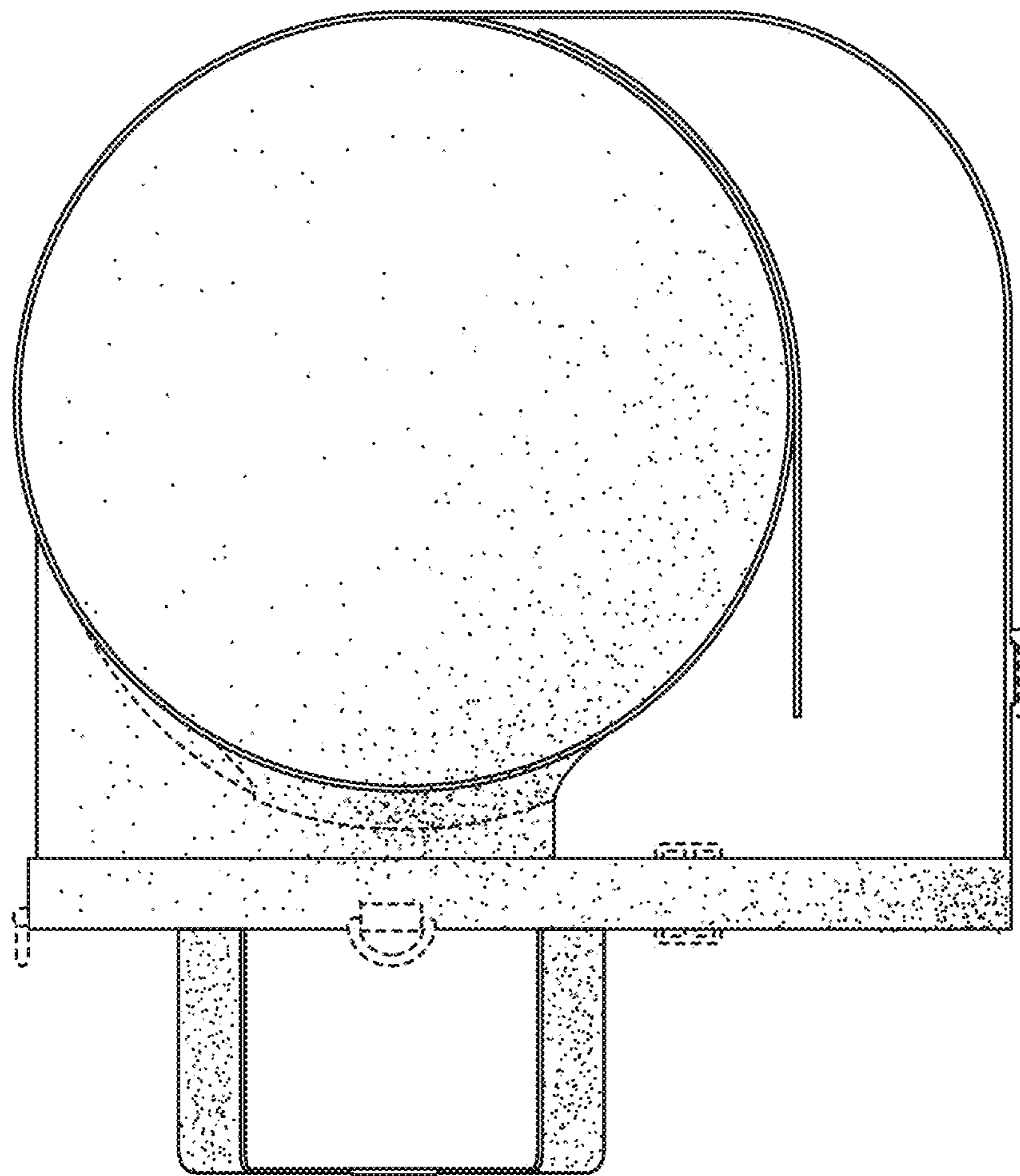


FIG. 4

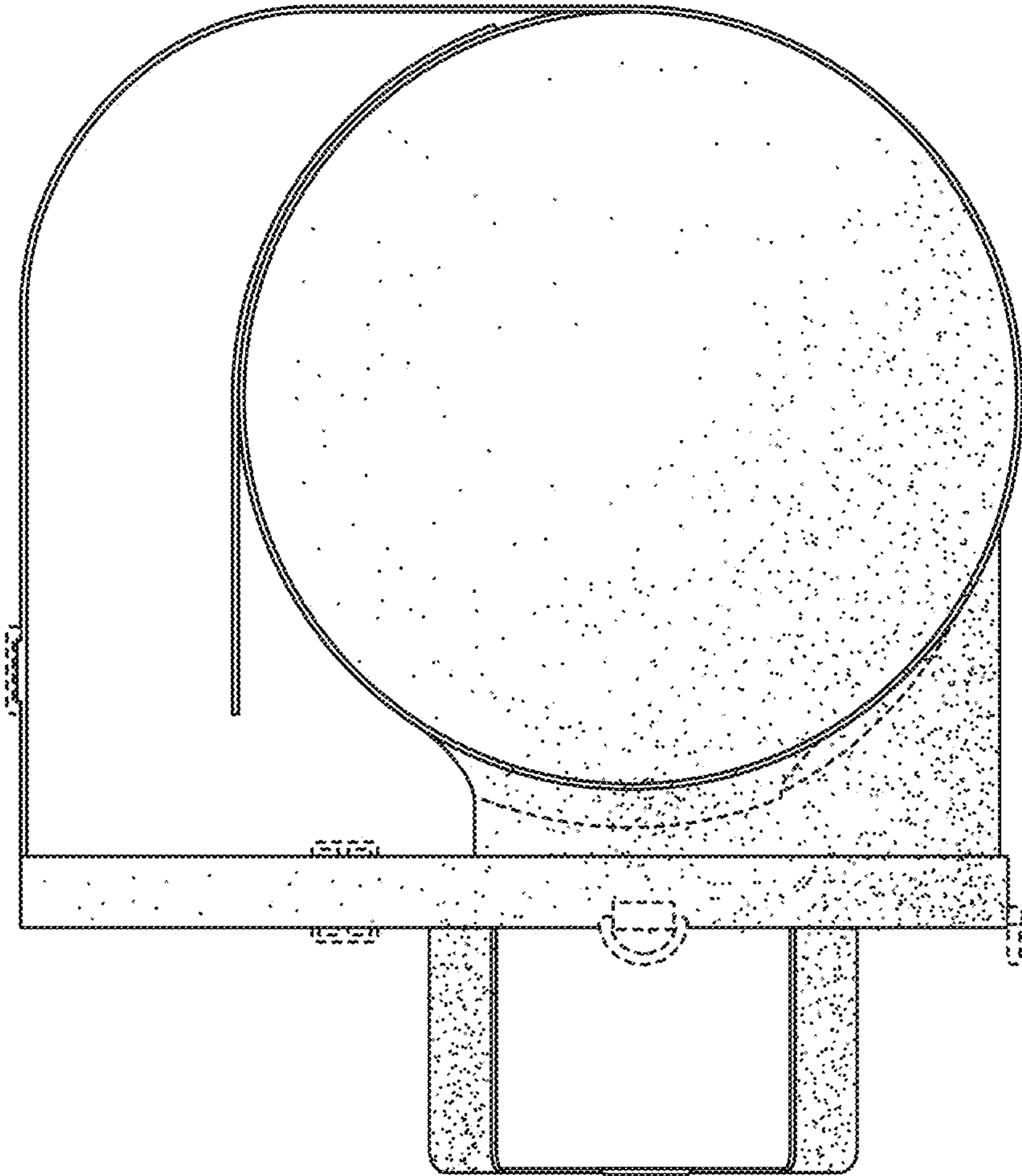


FIG. 5

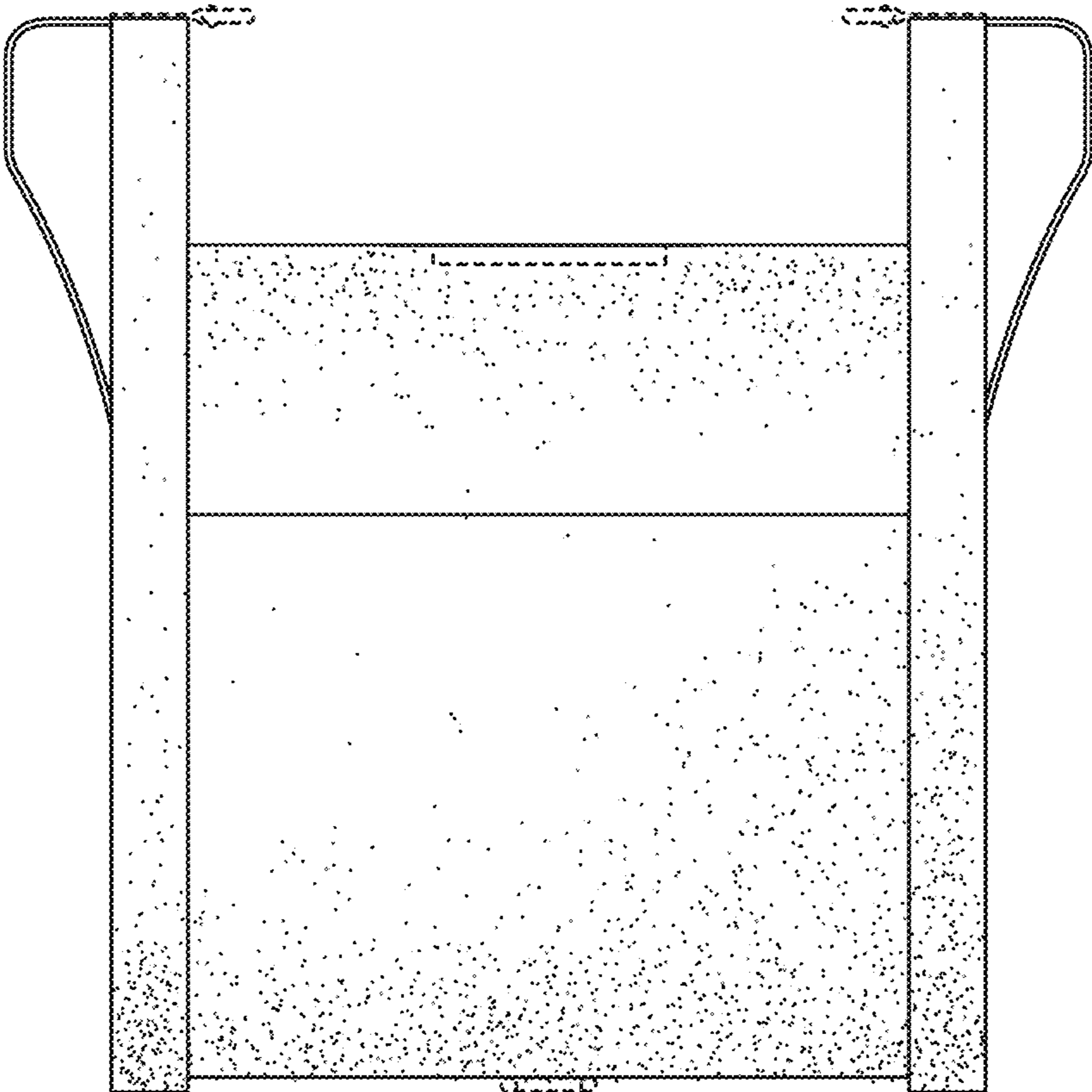


FIG. 6

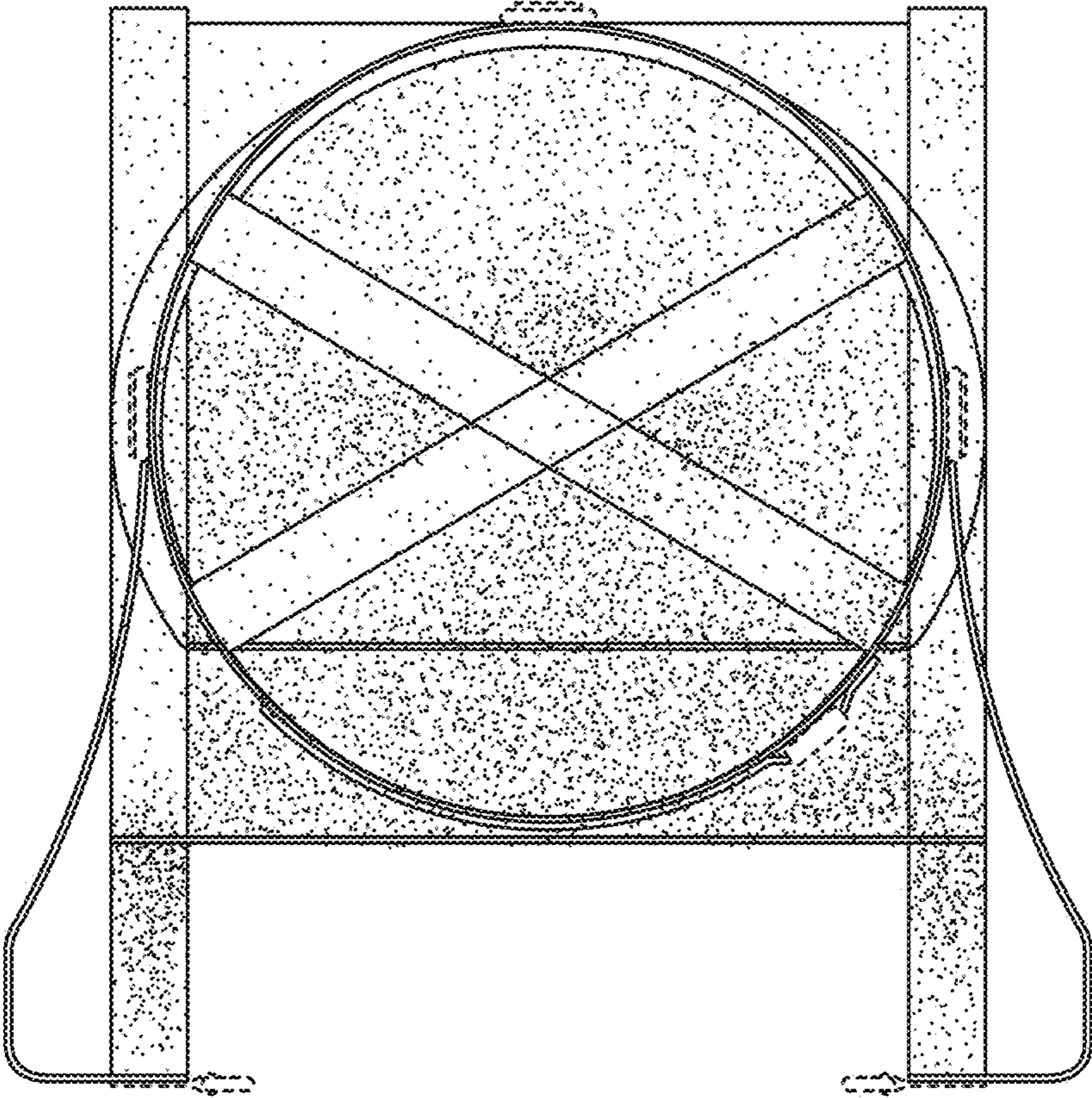


FIG. 7

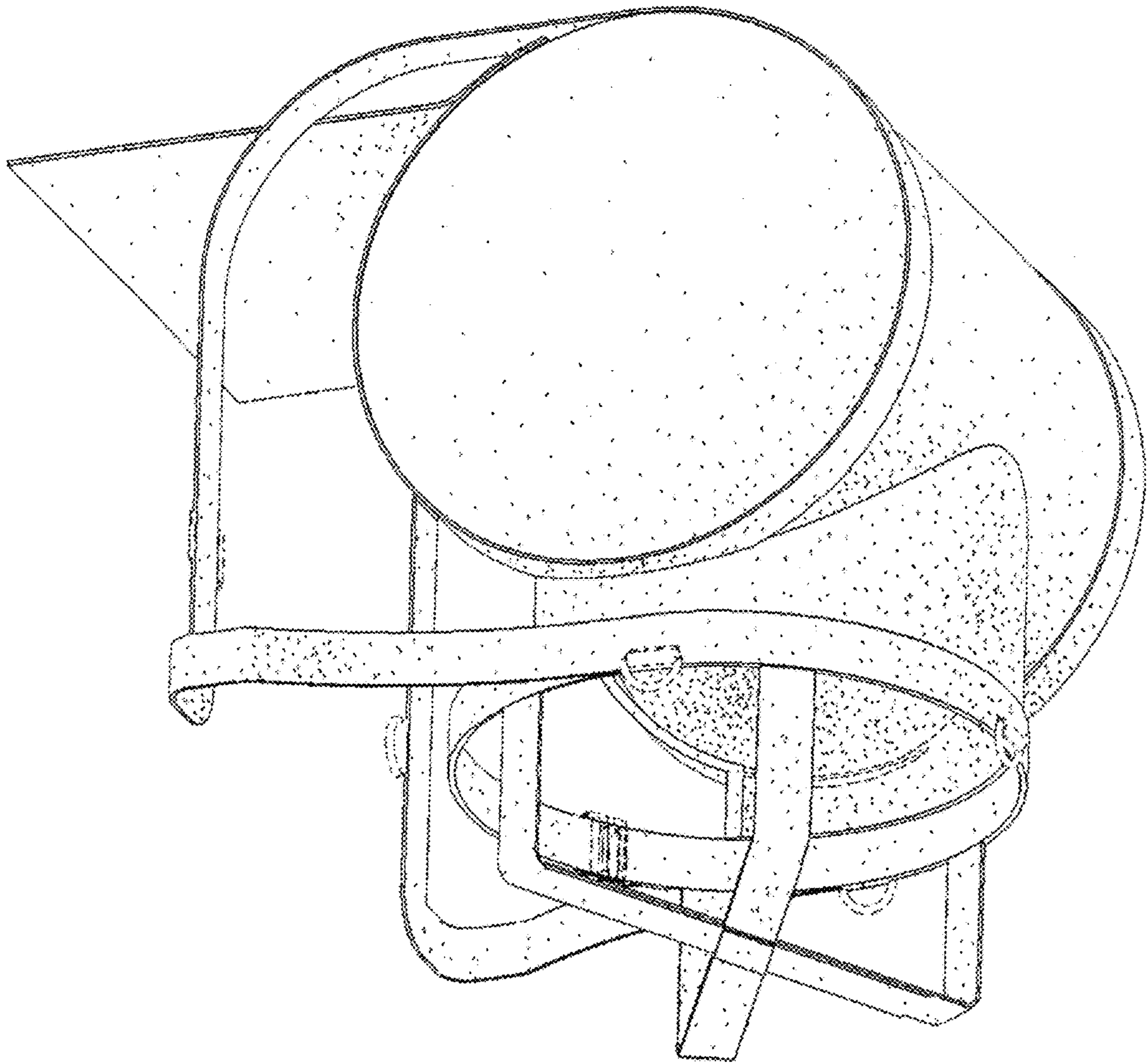


FIG. 8