



US00D878751S

(12) **United States Design Patent**  
**DeChant**

(10) **Patent No.:** **US D878,751 S**

(45) **Date of Patent:** **\*\* Mar. 24, 2020**

(54) **VERTICAL TRIFOLD CELL PHONE WALLET**

D134,884 S 1/1943 Engelstein  
D178,800 S 9/1956 McKinnon  
D185,056 S 5/1959 Arkin  
3,162,227 A 12/1964 Bakken  
3,370,777 A 2/1968 Levi  
D224,631 S 8/1972 Morris  
D255,509 S 6/1980 Nathan et al.

(Continued)

(71) Applicant: **Daniel A. DeChant**, Madison, WI (US)

(72) Inventor: **Daniel A. DeChant**, Madison, WI (US)

(\*\*) Term: **15 Years**

(21) Appl. No.: **29/635,938**

(22) Filed: **Feb. 5, 2018**

FOREIGN PATENT DOCUMENTS

CA 134785 10/2010  
DE 197428065 11/1974

(Continued)

**Related U.S. Application Data**

(63) Continuation of application No. 29/513,712, filed on Jan. 5, 2015, now Pat. No. Des. 809,289, which is a continuation-in-part of application No. 29/449,467, filed on Mar. 15, 2013, now Pat. No. Des. 727,619.

(51) **LOC (12) Cl.** ..... **03-01**

(52) **U.S. Cl.**  
USPC ..... **D3/247**

(58) **Field of Classification Search**  
USPC ..... D3/247, 249–253  
CPC ..... A45C 1/06; A45C 3/08  
See application file for complete search history.

*Primary Examiner* — Holly H Baynham

(74) *Attorney, Agent, or Firm* — Michael Best & Friedrich LLP

(57) **CLAIM**

I claim the ornamental design for a vertical trifold cell phone wallet, as shown and described.

**DESCRIPTION**

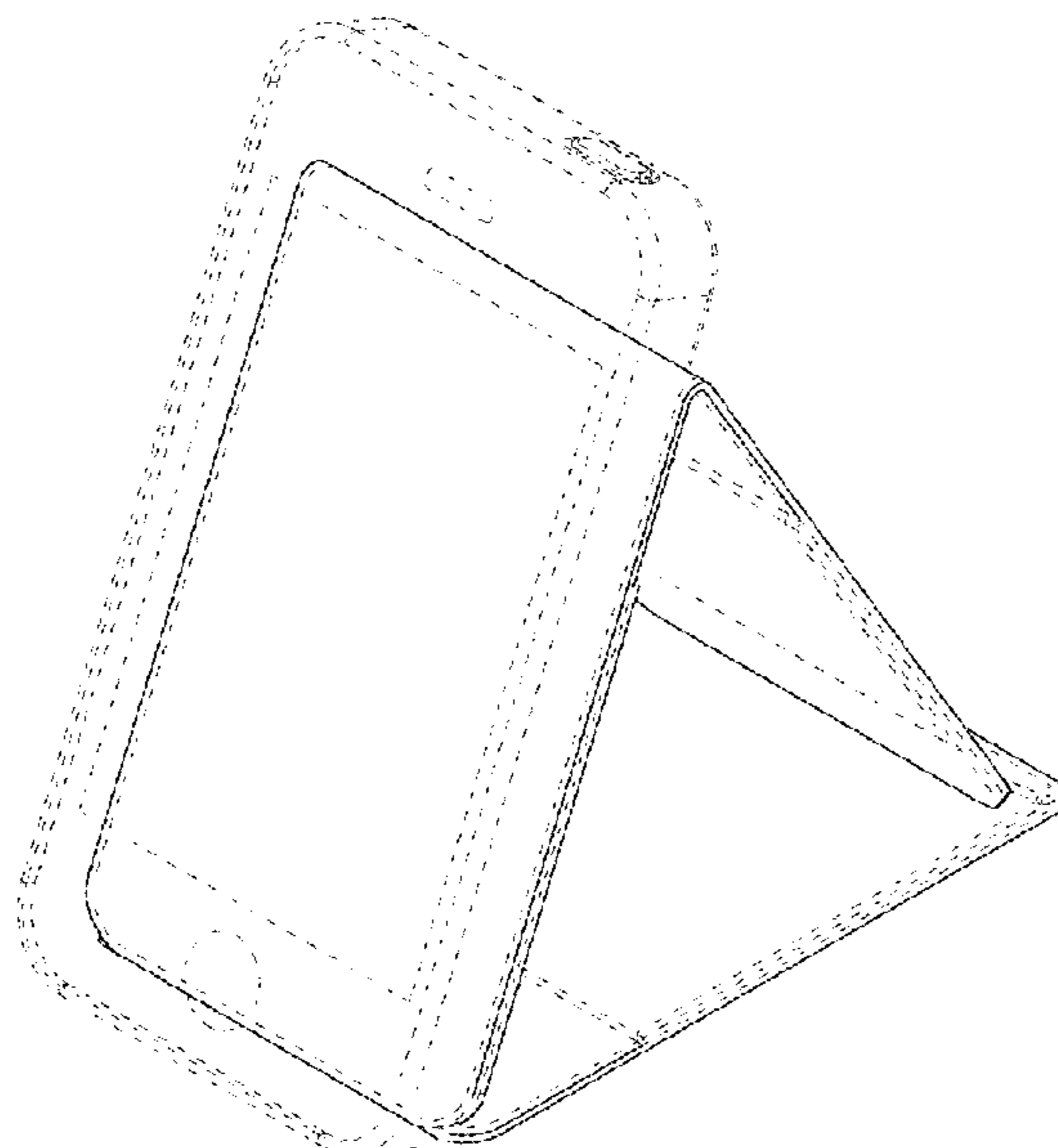
FIG. 1 is a perspective view of a vertical trifold cell phone wallet in a stand configuration according to one embodiment;  
FIG. 2 is a right side view thereof;  
FIG. 3 is a perspective view of the vertical trifold cell phone wallet of FIG. 1 in an open condition;  
FIG. 4 is a front view thereof;  
FIG. 5 is a rear view thereof;  
FIG. 6 is a left side view thereof;  
FIG. 7 is a right side view thereof;  
FIG. 8 is a top view thereof; and,  
FIG. 9 is a bottom view thereof.  
The broken lines are included for the purpose of illustrating environmental structure and form no part of the claimed design.

(56) **References Cited**

U.S. PATENT DOCUMENTS

D13,040 S 7/1882 Brueck  
658,394 A 9/1900 Peters  
833,834 A 10/1906 Hille  
940,853 A 11/1909 Cardwell  
1,035,945 A 8/1912 Cardwell  
1,035,946 A 8/1912 Cardwell  
1,073,768 A 9/1913 Loveland  
D45,677 S 4/1914 Shick  
1,269,247 A 6/1918 Aslin  
1,582,492 A 4/1926 Tantlinger  
1,671,297 A 5/1928 L'Enfant  
D101,819 S 11/1936 Miller  
D112,415 S 11/1938 Zumft

**1 Claim, 3 Drawing Sheets**



(56)

References Cited

U.S. PATENT DOCUMENTS

4,388,734 A 6/1983 Cowden  
 D279,423 S 7/1985 Zucker  
 4,705,086 A 11/1987 O'Neill  
 D308,887 S 6/1990 Wyant  
 4,934,573 A 6/1990 Jaeger  
 4,942,913 A 7/1990 Musso  
 D311,815 S 11/1990 Balsley  
 D314,213 S 1/1991 Bishop  
 D334,588 S 4/1993 Okola  
 D340,355 S 10/1993 Little  
 D342,829 S 1/1994 Mitchell  
 D362,114 S 9/1995 Simhon  
 D374,037 S 9/1996 Wyant  
 D410,774 S 6/1999 Inbert  
 D434,340 S 12/2000 Kojoori  
 D434,899 S 12/2000 Kojoori  
 D435,339 S 12/2000 Cleveland  
 6,409,429 B1 6/2002 Belloni  
 6,427,836 B1 8/2002 Bolanos  
 D471,008 S 3/2003 Dubone  
 D471,704 S 3/2003 Moore  
 D475,526 S 6/2003 Gillespie et al.  
 D510,596 S 10/2005 Ong  
 D527,899 S 9/2006 Morehead  
 7,204,398 B1 4/2007 Smith, Sr.  
 D551,446 S 9/2007 Elnekaveh  
 7,418,987 B2 \* 9/2008 Duffy ..... A45C 1/06  
 150/136  
 7,496,971 B2 3/2009 Soto  
 D594,656 S 6/2009 Wills  
 D599,400 S 9/2009 Lapsker  
 D608,092 S 1/2010 Holzner et al.  
 D619,806 S 7/2010 Franks  
 7,793,809 B2 9/2010 Howell  
 D624,749 S 10/2010 Evans  
 7,836,622 B1 \* 11/2010 King ..... G09F 3/14  
 206/820  
 D630,011 S 1/2011 Knight et al.  
 D633,714 S 3/2011 Marshall  
 8,047,364 B2 11/2011 Longinotti-Buitoni  
 8,556,147 B2 10/2013 Howell  
 8,678,256 B2 3/2014 Knight et al.  
 8,833,379 B1 9/2014 Kaplan  
 D718,525 S 12/2014 Kim  
 D723,798 S 3/2015 Sha  
 D727,019 S 4/2015 DeChant

D728,228 S 5/2015 DeChant  
 D728,229 S 5/2015 DeChant  
 D728,928 S 5/2015 DeChant  
 D730,646 S 6/2015 DeChant  
 9,271,560 B2 3/2016 Buffinton et al.  
 D754,433 S 4/2016 DeChant  
 D754,434 S 4/2016 DeChant  
 D755,513 S 5/2016 DeChant  
 D756,641 S 5/2016 DeChant  
 D756,643 S 5/2016 DeChant  
 D764,167 S 8/2016 DeChant  
 9,636,875 B2 5/2017 Hairston et al.  
 D790,853 S \* 7/2017 DeChant ..... D3/247  
 D808,649 S \* 1/2018 DeChant ..... D3/247  
 D809,289 S \* 2/2018 DeChant ..... D3/247  
 D809,791 S \* 2/2018 DeChant ..... D3/247  
 D811,739 S \* 3/2018 DeChant ..... D3/247  
 D813,535 S \* 3/2018 Faulkner ..... D3/247  
 D822,988 S \* 7/2018 Taylor ..... D3/247  
 D828,024 S \* 9/2018 Serman ..... D3/247  
 D829,000 S \* 9/2018 DeChant ..... D3/247  
 D833,143 S \* 11/2018 DeChant ..... D3/247  
 2005/0126667 A1 6/2005 Bell  
 2007/0057004 A1 3/2007 Butler et al.  
 2007/0232372 A1 10/2007 Plaster  
 2007/0262112 A1 11/2007 Butler et al.  
 2008/0006355 A1 1/2008 Gomez Micone  
 2008/0121322 A1 5/2008 Thomson  
 2009/0050686 A1 2/2009 Kon et al.  
 2009/0194571 A1 8/2009 Evans  
 2011/0030860 A1 2/2011 Allen et al.  
 2011/0057034 A1 3/2011 Maxwell  
 2011/0277892 A1 11/2011 Black  
 2012/0043234 A1 2/2012 Westrup  
 2012/0050968 A1 3/2012 Child et al.  
 2012/0168483 A1 7/2012 Jambunathan et al.  
 2013/0140203 A1 6/2013 Chiang  
 2014/0262853 A1 9/2014 DeChant

FOREIGN PATENT DOCUMENTS

DE 199107205 7/1991  
 GB 2145622 4/1985  
 GB 2070518 11/1997  
 GB 4019846 5/2011  
 KR 300268261 12/2000  
 WO D073447 3/2010  
 WO 2012/087152 6/2012

\* cited by examiner

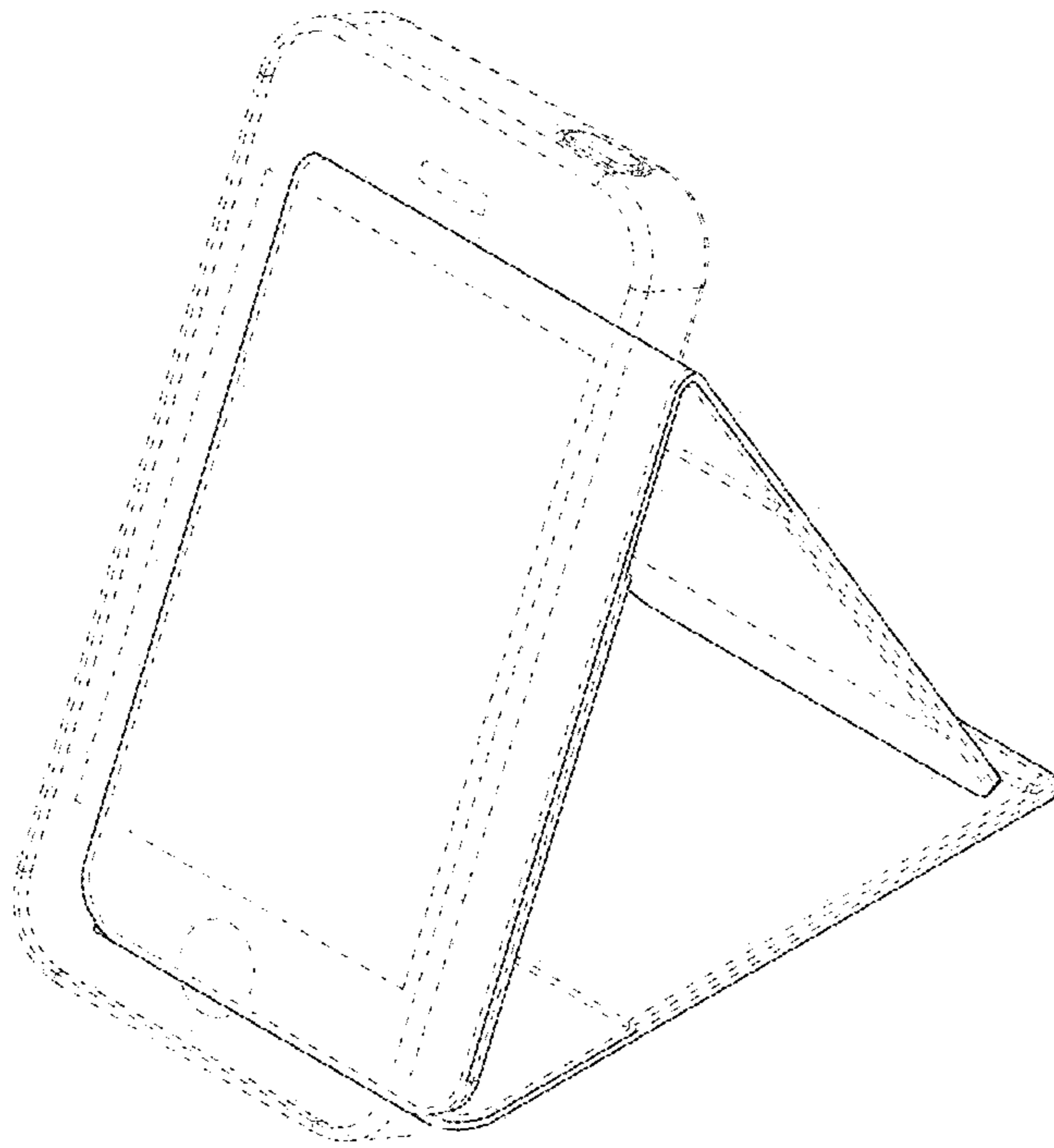


FIG. 1

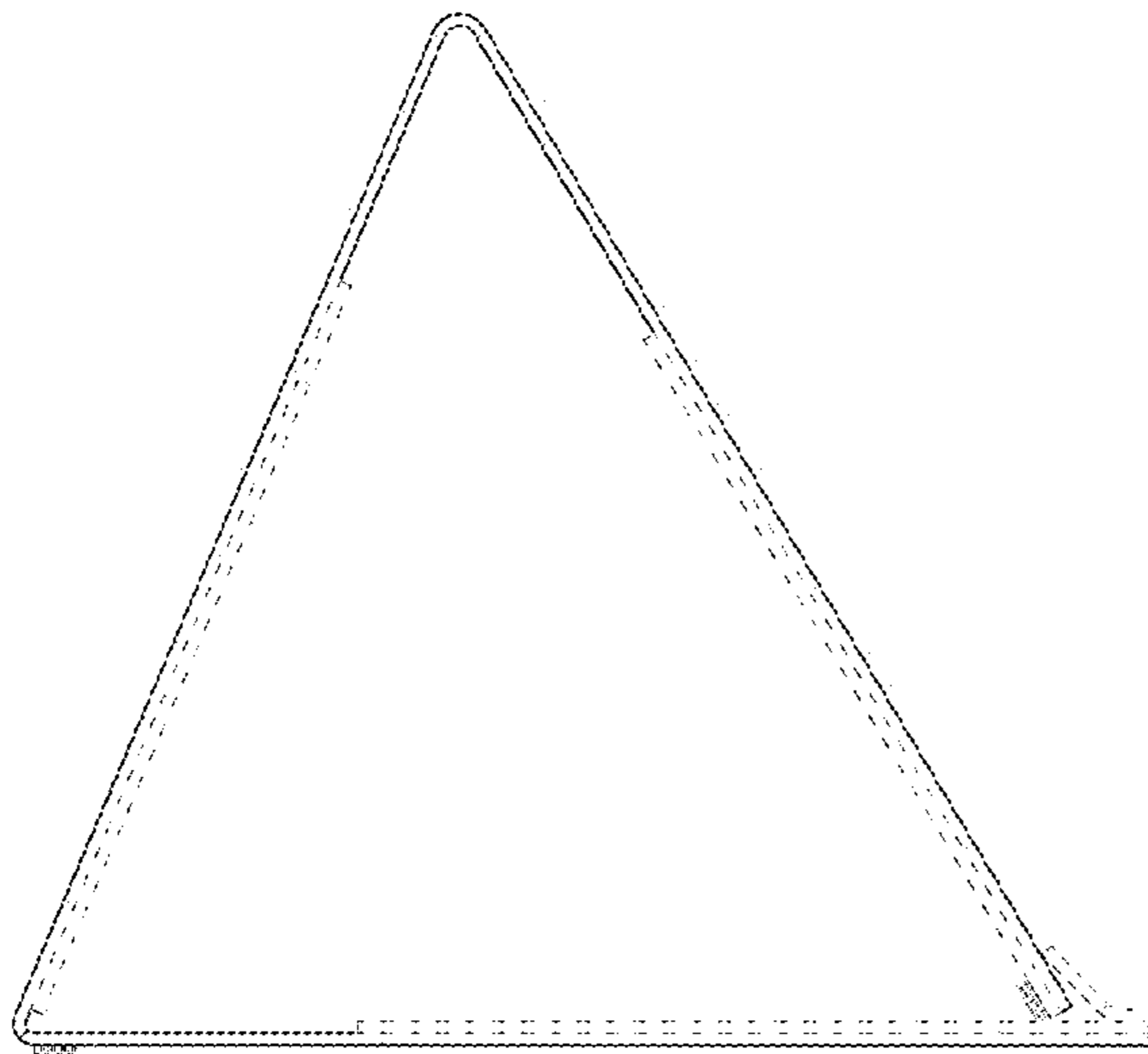


FIG. 2

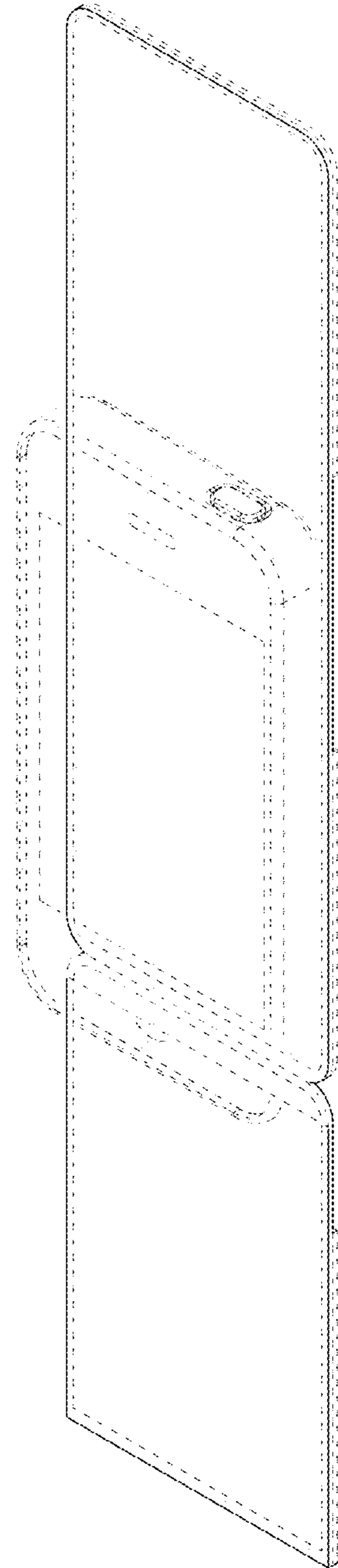


FIG. 3

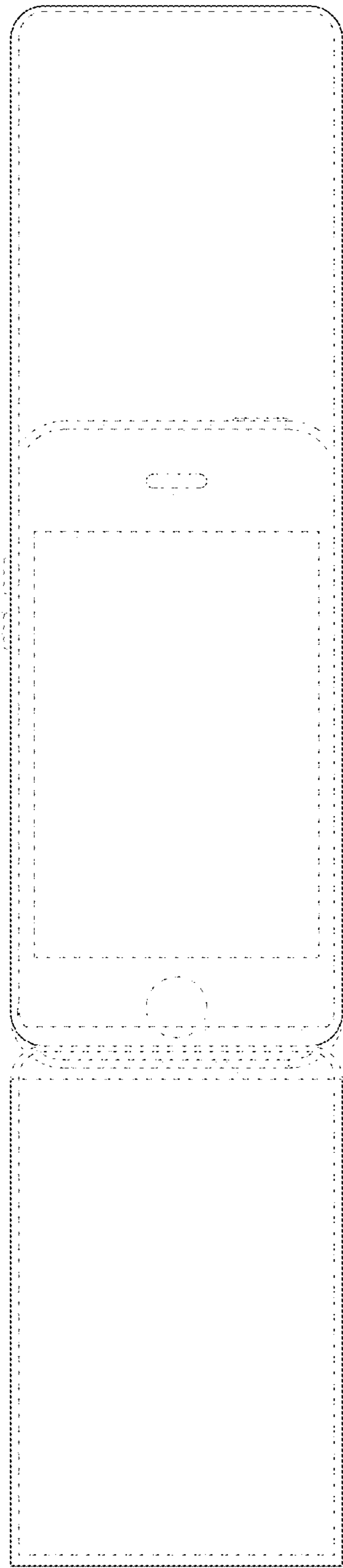


FIG. 4

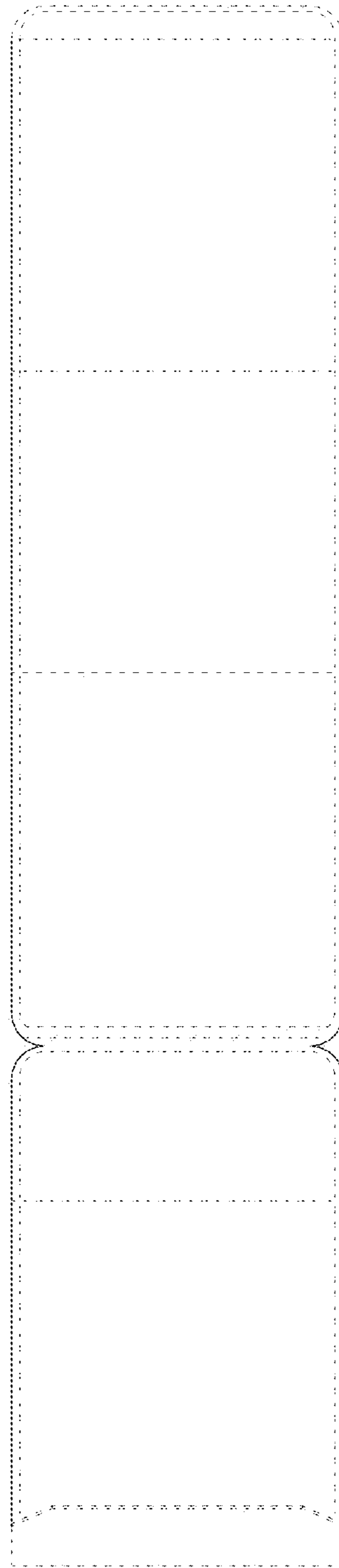


FIG. 5

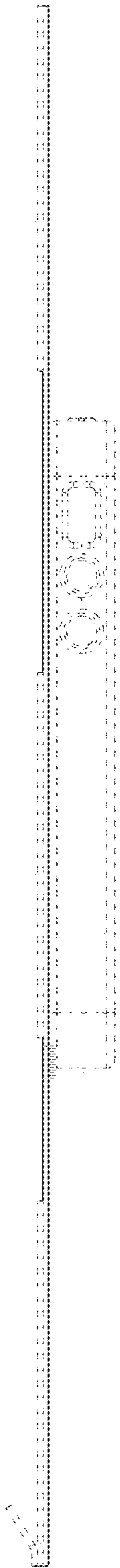


FIG. 6

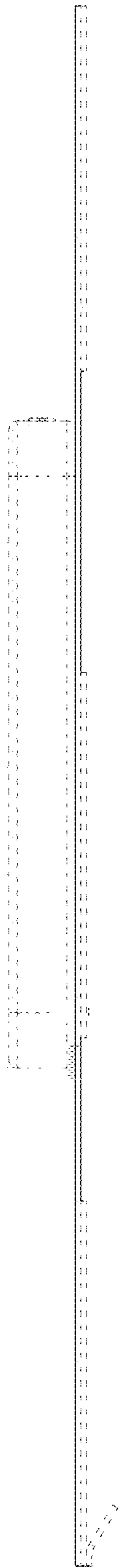


FIG. 7

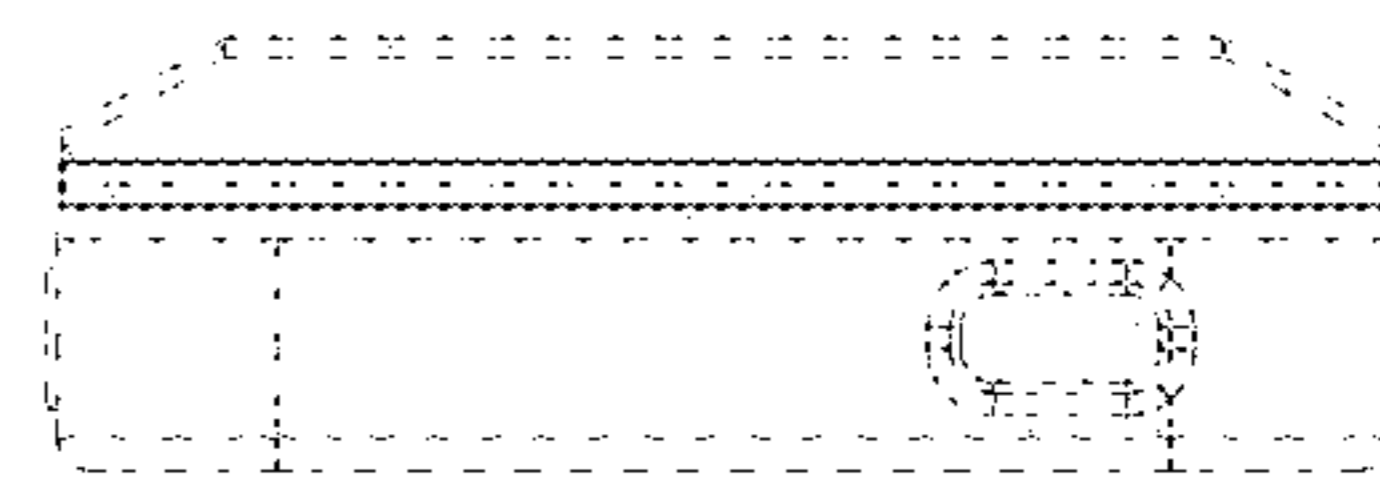


FIG. 8

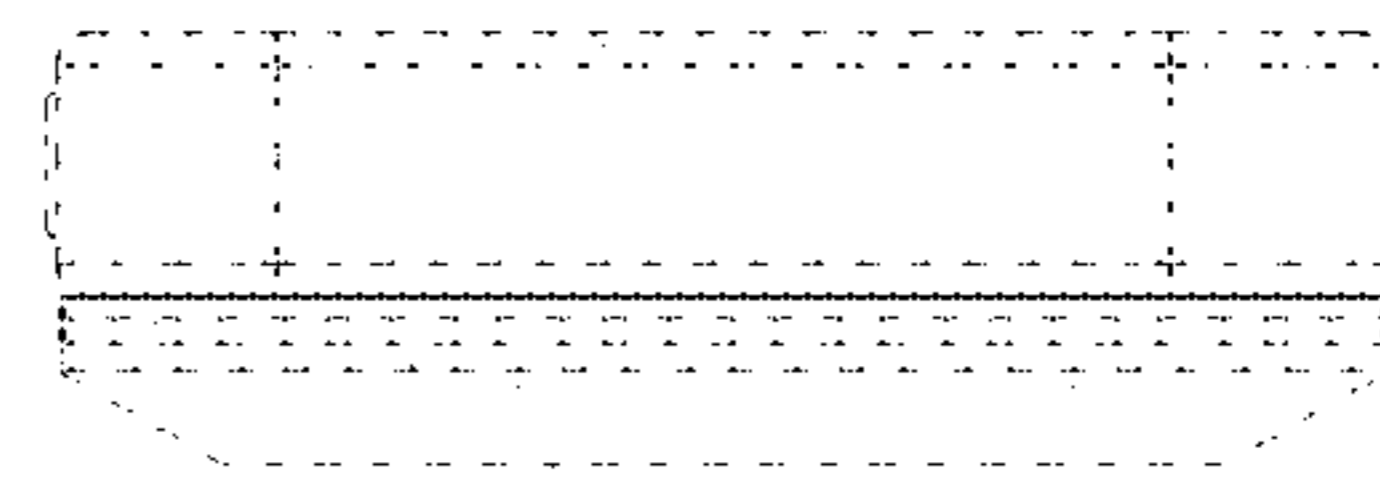


FIG. 9