



US00D878744S

(12) **United States Design Patent**
Pickup

(10) **Patent No.:** **US D878,744 S**
(45) **Date of Patent:** **** Mar. 24, 2020**

- (54) **BAG WITH COMBINATION AND UNIVERSAL LOCK**
- (71) Applicant: **Luke Pickup**, Queensland (AU)
- (72) Inventor: **Luke Pickup**, Queensland (AU)
- (**) Term: **15 Years**
- (21) Appl. No.: **29/668,330**
- (22) Filed: **Oct. 30, 2018**
- (51) **LOC (12) Cl.** **03-01**
- (52) **U.S. Cl.**
USPC **D3/232**
- (58) **Field of Classification Search**
USPC D3/232, 245-246; D9/709
CPC A45C 1/00; A45C 1/02; A45C 3/00; A45C 3/10; A45C 3/06; A45C 1/024
See application file for complete search history.

(56) **References Cited**

U.S. PATENT DOCUMENTS

| | | | | | | |
|--------------|----|---|---------|------------|-------|-----------------------|
| D729,606 | S | * | 5/2015 | Thomson | | D8/330 |
| D729,607 | S | * | 5/2015 | Thomson | | D8/330 |
| 9,151,081 | B2 | * | 10/2015 | Thomson | | E05B 65/5284 |
| D742,635 | S | * | 11/2015 | Coleman | | D3/232 |
| D813,055 | S | * | 3/2018 | Hokes | | D9/709 |
| D816,988 | S | * | 5/2018 | McLauchlin | | D3/232 |
| D843,225 | S | * | 3/2019 | Kilduff | | D9/709 |
| D860,809 | S | * | 9/2019 | Kilduff | | D9/709 |
| 2011/0142375 | A1 | * | 6/2011 | Lebow | | B65D 55/145 383/64 |

OTHER PUBLICATIONS

Smell proof bag, Catalog sheet [online]. form line supply, Aug. 27, 2018 [retrieved on Dec. 9, 2019]. RETrieved from the Internet: URL: <https://www.formlinesupply.com> (Year: 2018).*

Smell Proof Bags and Container With Lock—Carbon Lined Odor Proof Pouch with Combo Lock—Discreet Locking Travel Bag—Case for Medication, Herbs, Spice, Perfume, Incense—PU, Syndicase Supply co., <https://www.amazon.com/dp/B07GSC7Z2W?th=1>.
Smell Proof Bags and Container with Lock—Carbon Lined Odor Proof Pouch with Combo Lock—Discreet Locking Travel Bag—Case for Medication, Herbs, Spice, Perfume, Incense—PU, Syndicase Supply co., <https://www.amazon.com/dp/B07FLRCY83?th=1>.

* cited by examiner

Primary Examiner — Holly H Baynham

(74) *Attorney, Agent, or Firm* — Wayne V. Harper

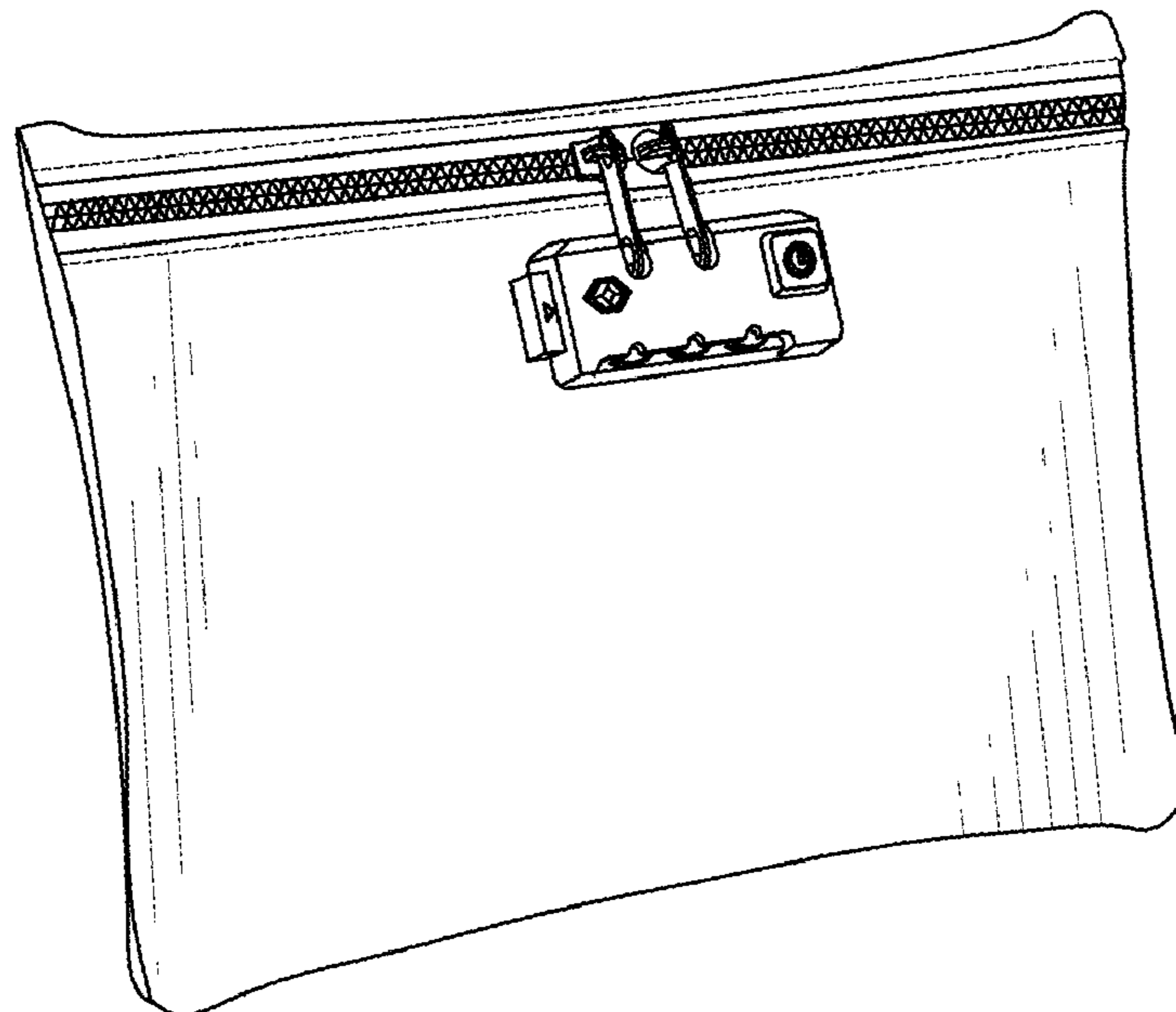
(57) **CLAIM**

I claim the ornamental design for a bag with combination and universal lock, as shown and described.

DESCRIPTION

FIG. 1 is a perspective view of a bag with combination and universal lock showing my new design;
FIG. 2 is a front-side view of the bag with combination and universal lock shown in my new design;
FIG. 3 is a back-side view of the bag with combination and universal lock as shown in FIG. 1;
FIG. 4 is a left-side view of the bag with combination and universal lock as shown in FIG. 1;
FIG. 5 is a right-side view of the bag with combination and universal lock as shown in FIG. 1;
FIG. 6 is a top-side view of the bag with combination and universal lock as shown in FIG. 1;
FIG. 7 is a bottom-side view of the bag with combination and universal lock as shown in FIG. 1; and,
FIG. 8 is open position view of the bag with combination and universal lock as shown in FIG. 1.
The broken lines are only for environmental purposes and form no part of the claimed design. No particular colour scheme forms part of the claimed design.

1 Claim, 5 Drawing Sheets



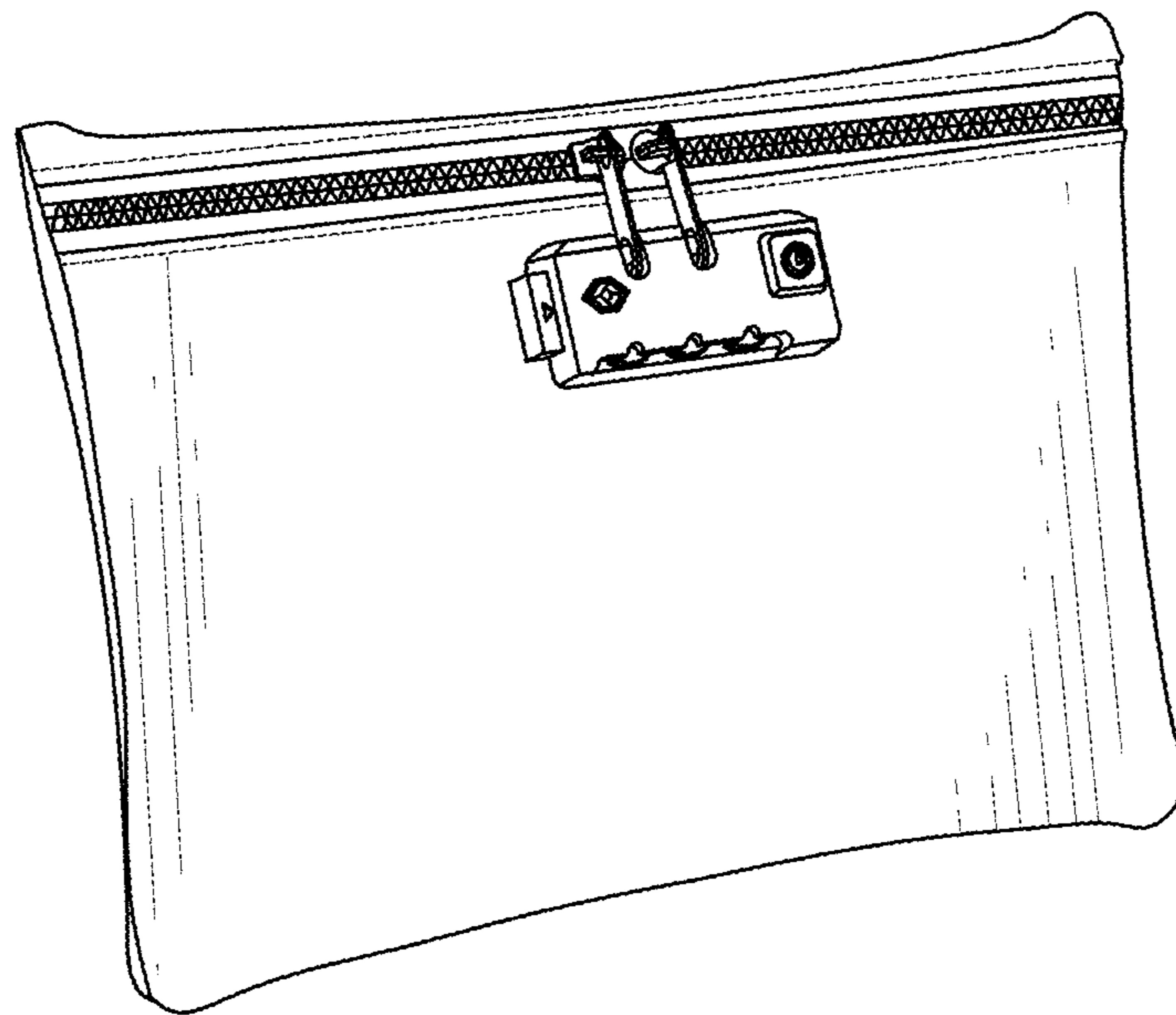


FIG. 1

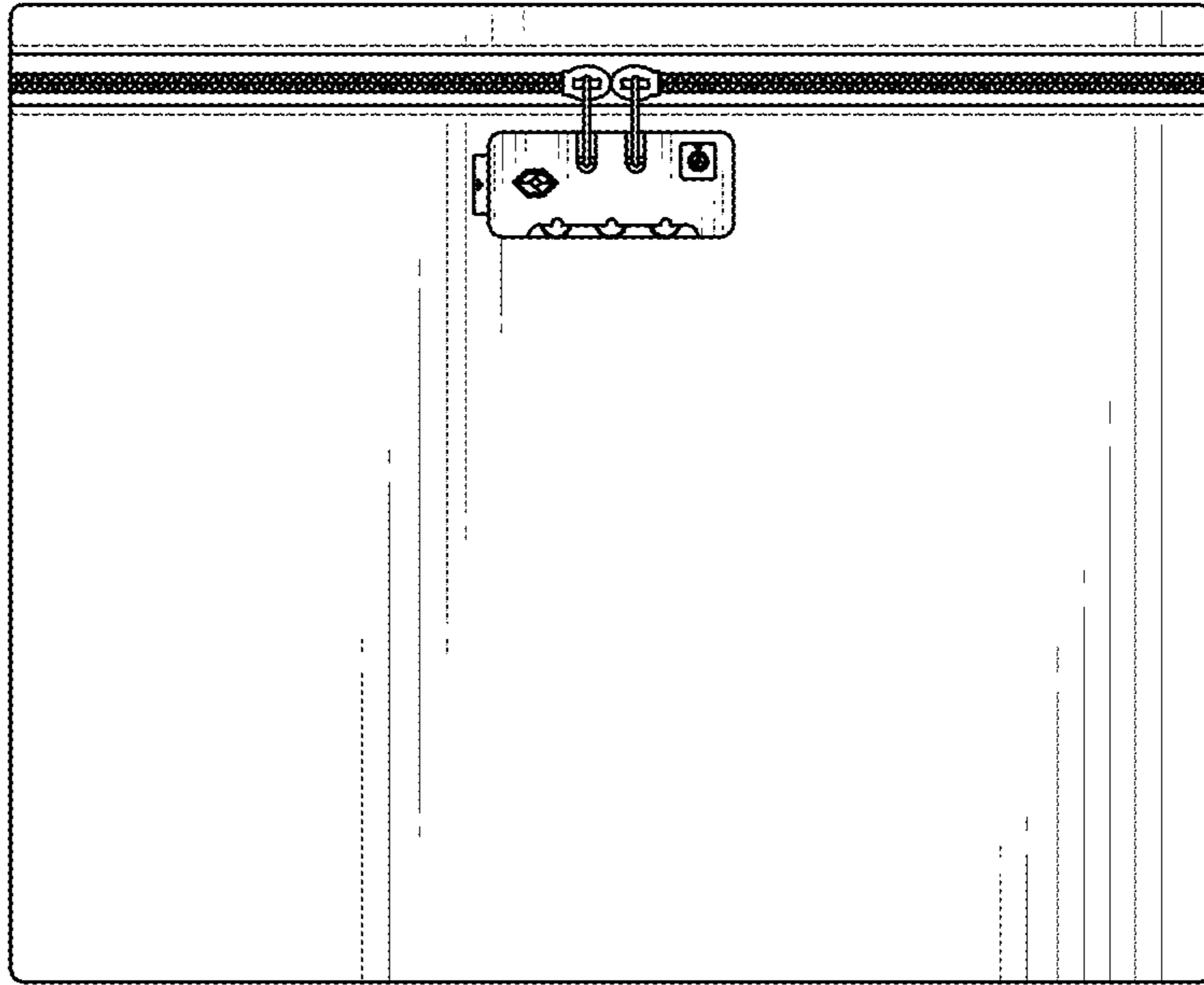


FIG. 2

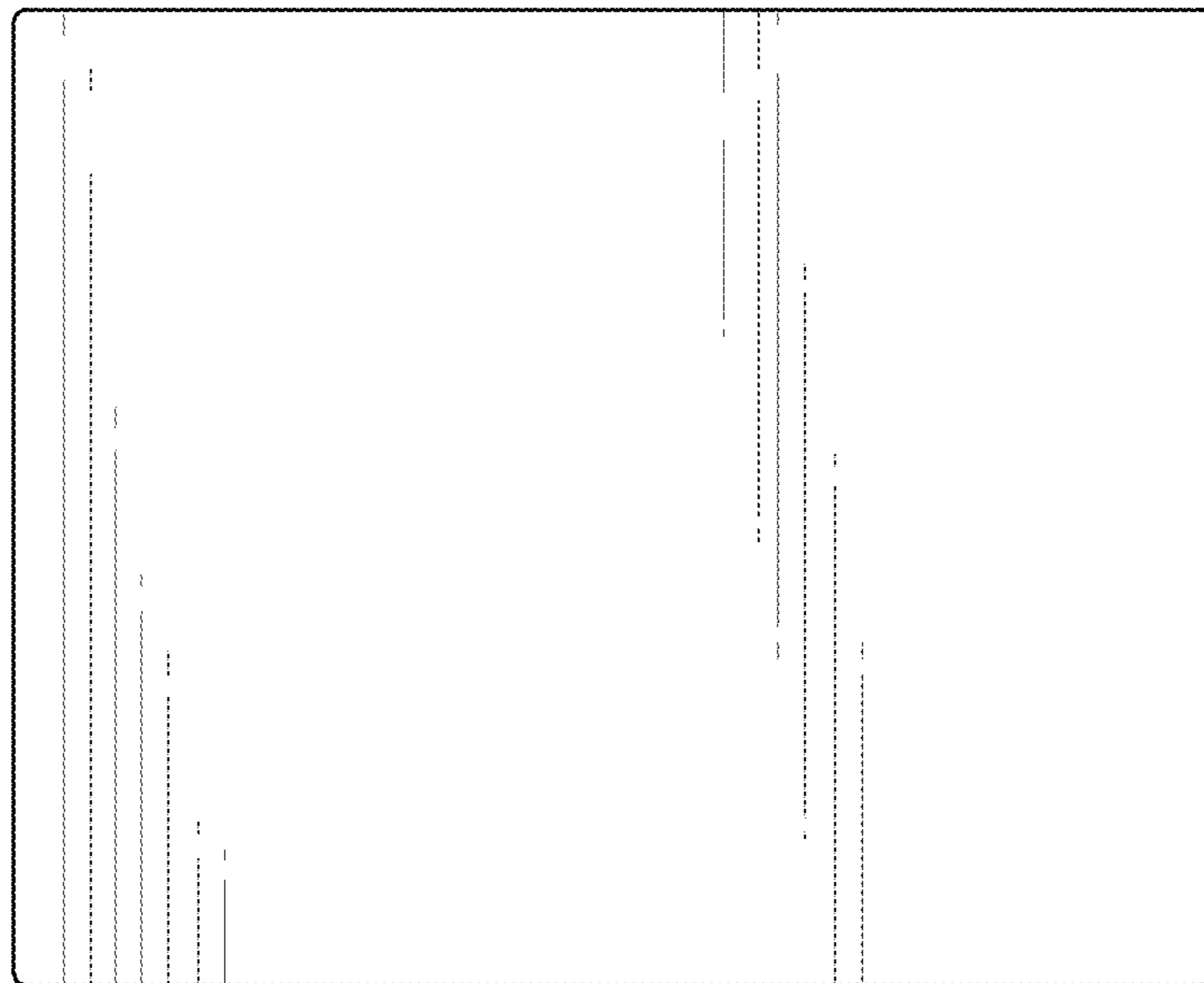


FIG. 3

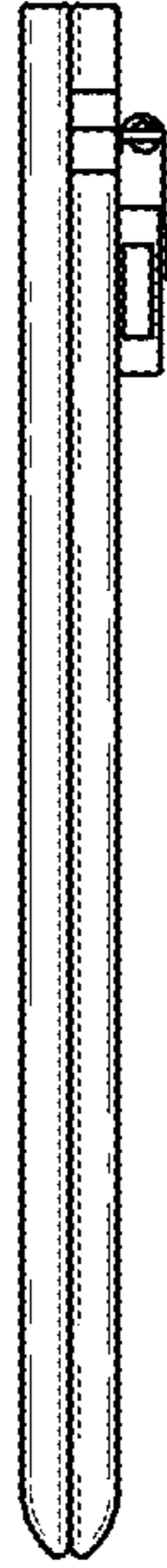


FIG. 4

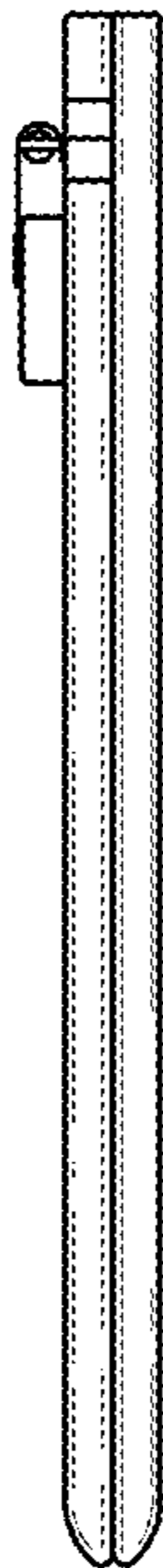


FIG. 5

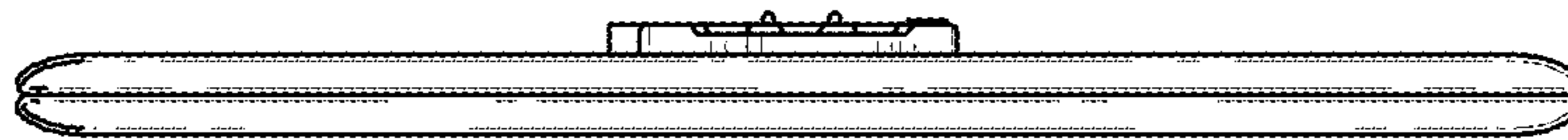


FIG. 6



FIG. 7

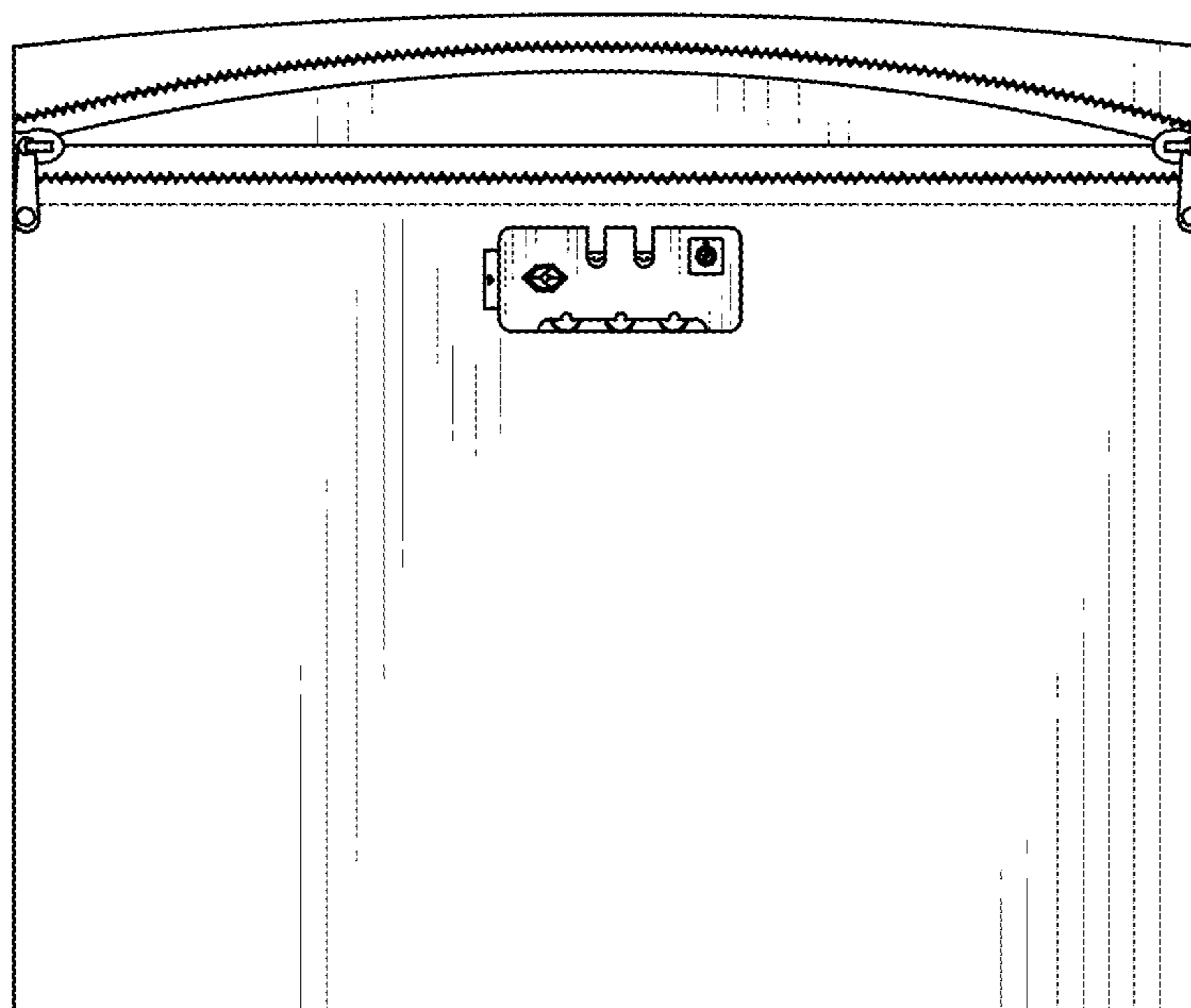


FIG. 8