



US00D878742S

(12) **United States Design Patent**
Xu

(10) **Patent No.:** **US D878,742 S**
(45) **Date of Patent:** **** Mar. 24, 2020**

(54) **DRY BAG**

(71) Applicant: **Zhong Xu**, Hubei (CN)

(72) Inventor: **Zhong Xu**, Hubei (CN)

(**) Term: **15 Years**

(21) Appl. No.: **29/707,588**

(22) Filed: **Sep. 30, 2019**

(51) **LOC (12) Cl.** **03-01**

(52) **U.S. Cl.**
USPC **D3/217**

(58) **Field of Classification Search**
USPC D3/201, 213–219, 221, 224, 225, 229,
D3/230, 232, 243–246, 254, 318
CPC A45F 3/04; A45F 4/02; A45F 2200/0525;
A45F 2003/045; A45C 11/00; A45C
13/30; A45C 2011/002; A45C 2011/003;
A45C 2011/001; A45C 15/00
See application file for complete search history.

(56) **References Cited**

U.S. PATENT DOCUMENTS

D277,901 S *	3/1985	Leslie	D3/217
D397,273 S *	8/1998	Collie	D7/607
D398,148 S *	9/1998	Jones	D3/217
6,092,661 A *	7/2000	Mogil	A63B 55/408 150/106
D590,148 S *	4/2009	Lin	D3/217
D674,664 S *	1/2013	Collie	D7/607

D764,873 S *	8/2016	Collie	D7/607
D772,562 S	11/2016	Petre		
D787,815 S *	5/2017	Davison	D3/217
D828,728 S *	9/2018	Jacobsen	D7/607
D844,977 S *	4/2019	Munie	D3/217
D853,201 S *	7/2019	Collie	D7/605
2014/0339277 A1 *	11/2014	Law	A45C 11/22 224/259

* cited by examiner

Primary Examiner — Jennifer L Watkins

(74) *Attorney, Agent, or Firm* — Jie Yang; ZanIP

(57) **CLAIM**

The ornamental design for a dry bag, as shown and described.

DESCRIPTION

FIG. 1 is a front perspective view of a dry bag, showing my new design;
FIG. 2 is a rear perspective view thereof;
FIG. 3 is a front elevational view thereof;
FIG. 4 is a rear elevational view thereof;
FIG. 5 is a left side elevational view thereof;
FIG. 6 is a right side elevational view thereof;
FIG. 7 is a top plan view thereof; and,
FIG. 8 is a bottom plan view thereof.
The broken lines in the figures illustrate portions of the dry bag that form no part of the claimed design.

1 Claim, 8 Drawing Sheets

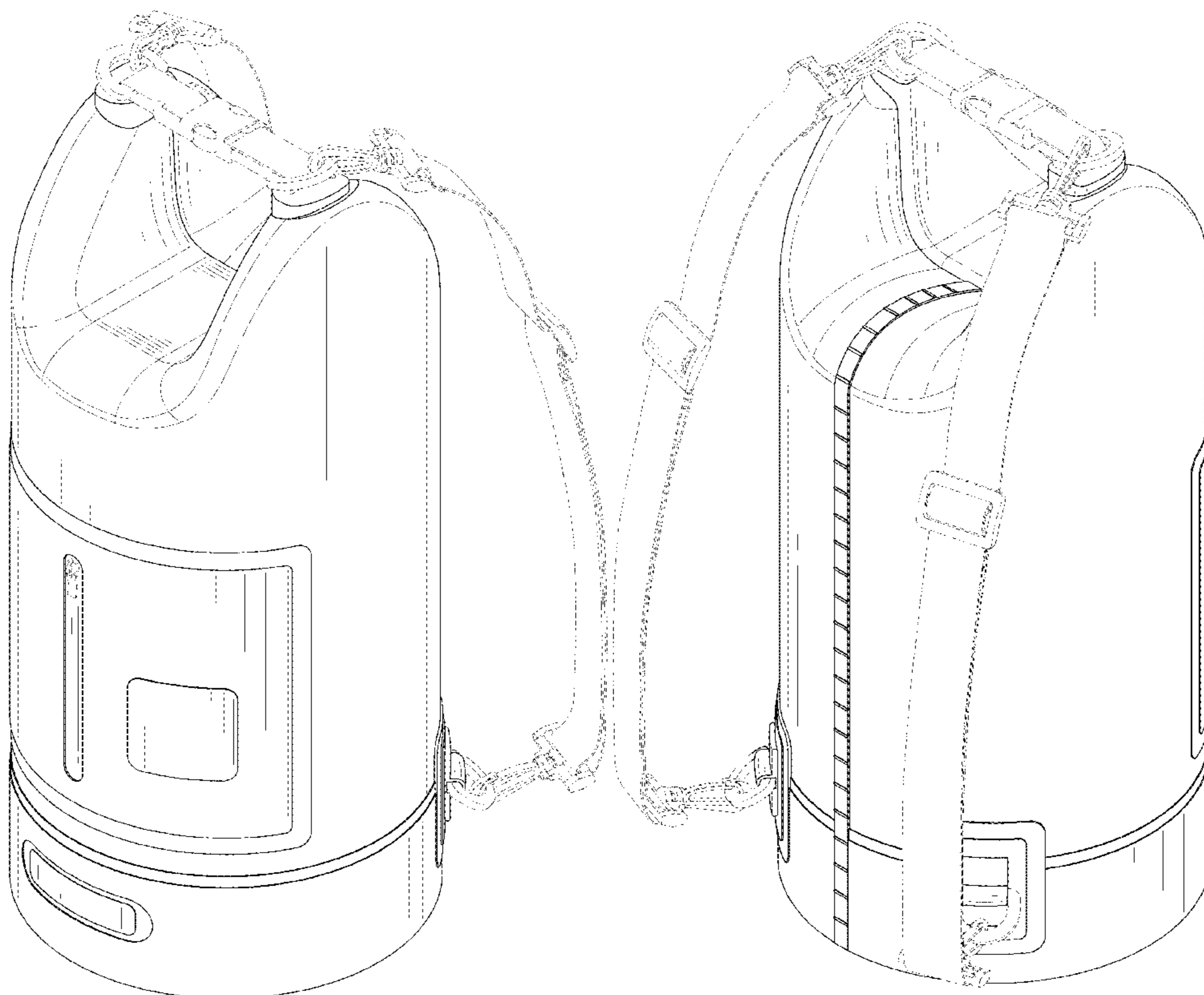




FIG. 1



FIG. 2

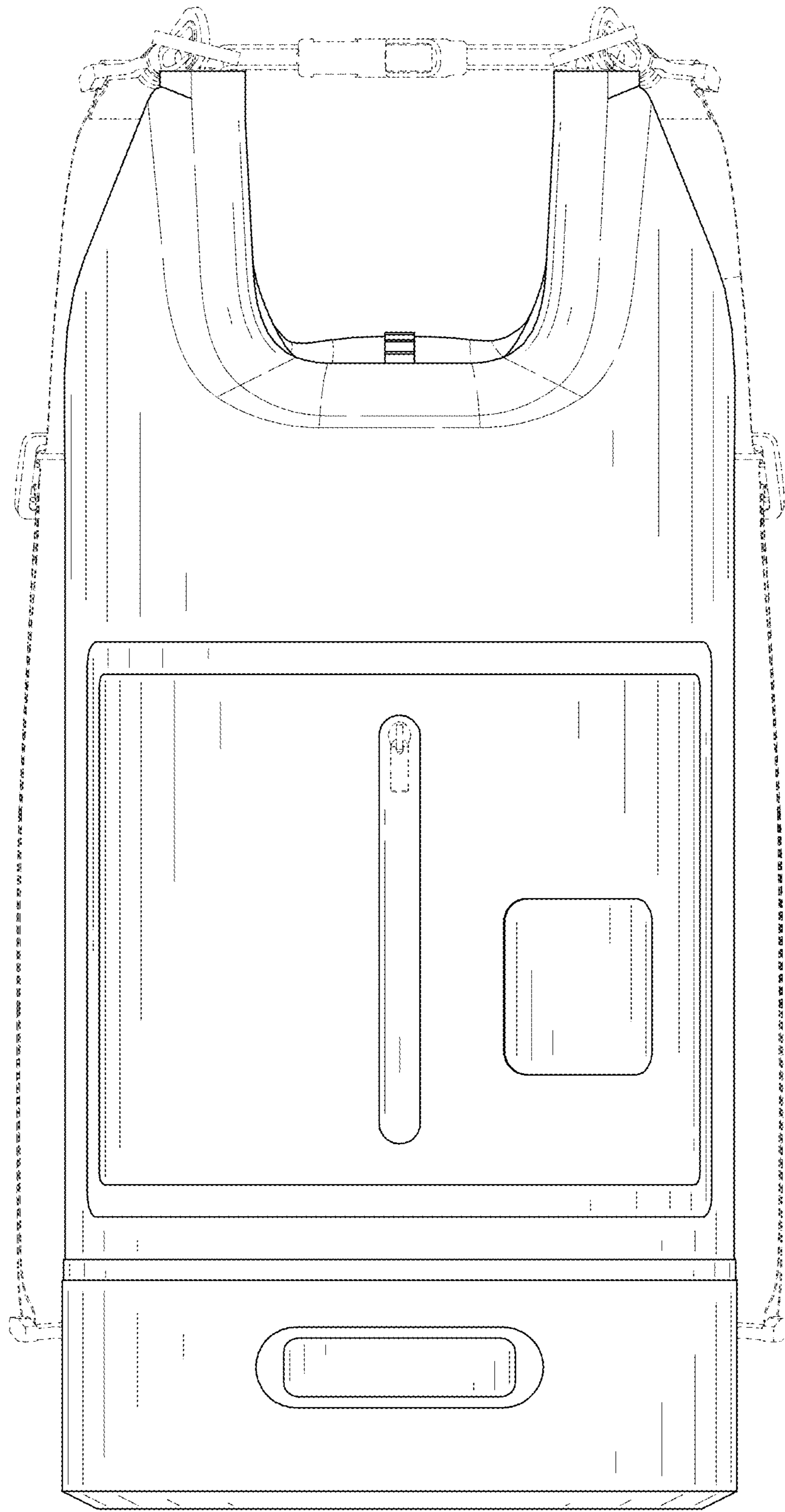


FIG. 3

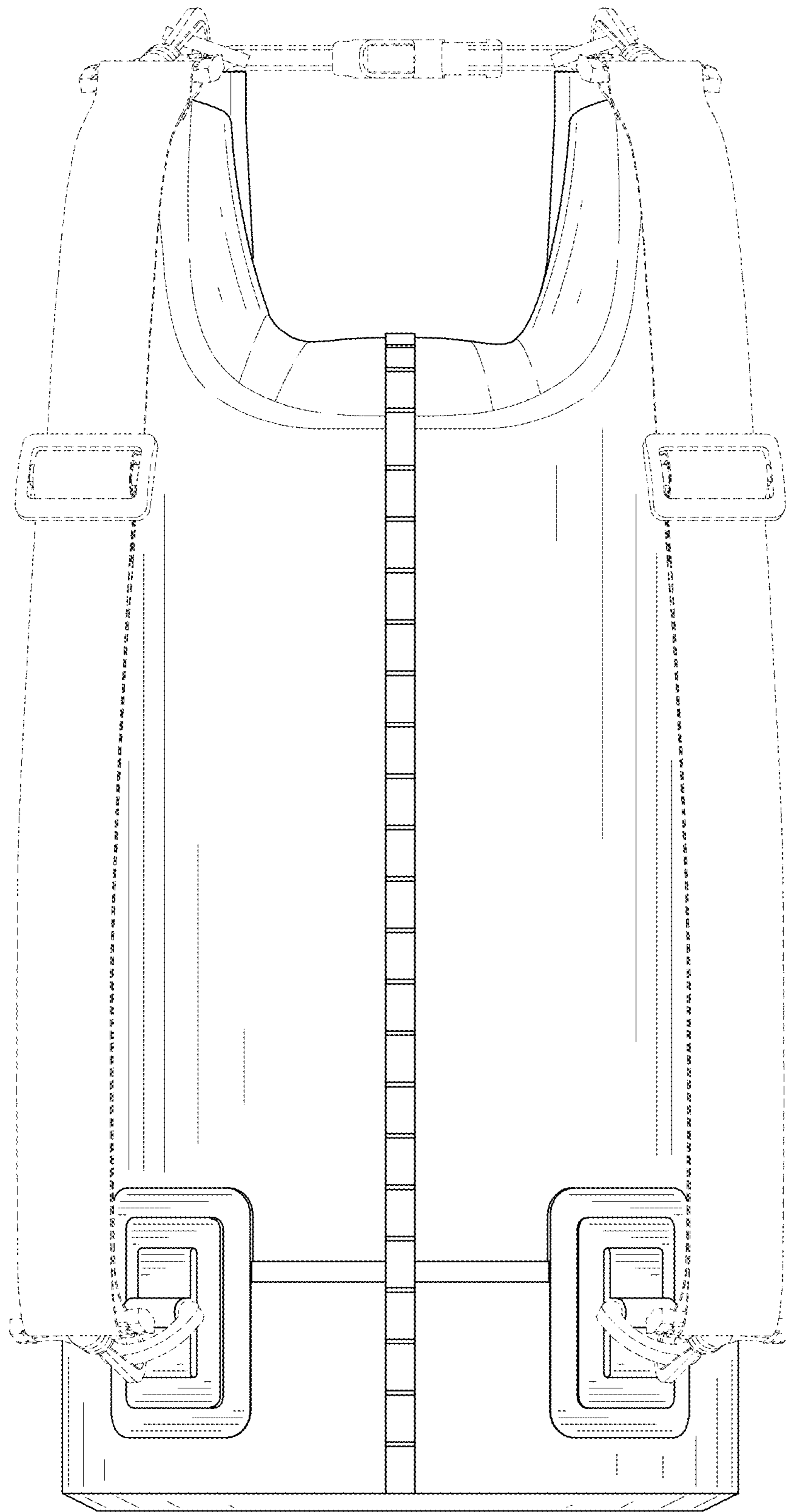


FIG. 4

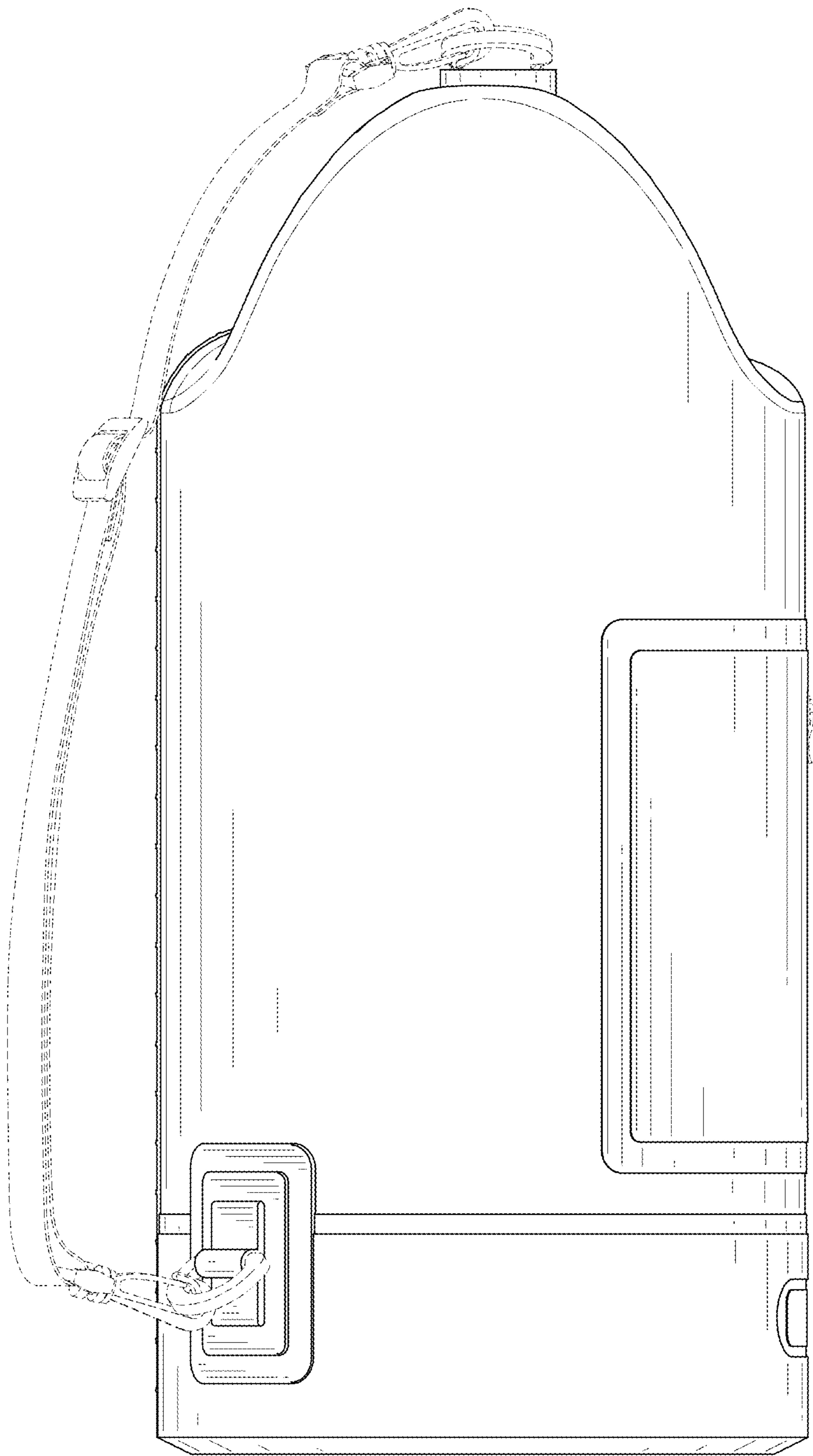


FIG. 5

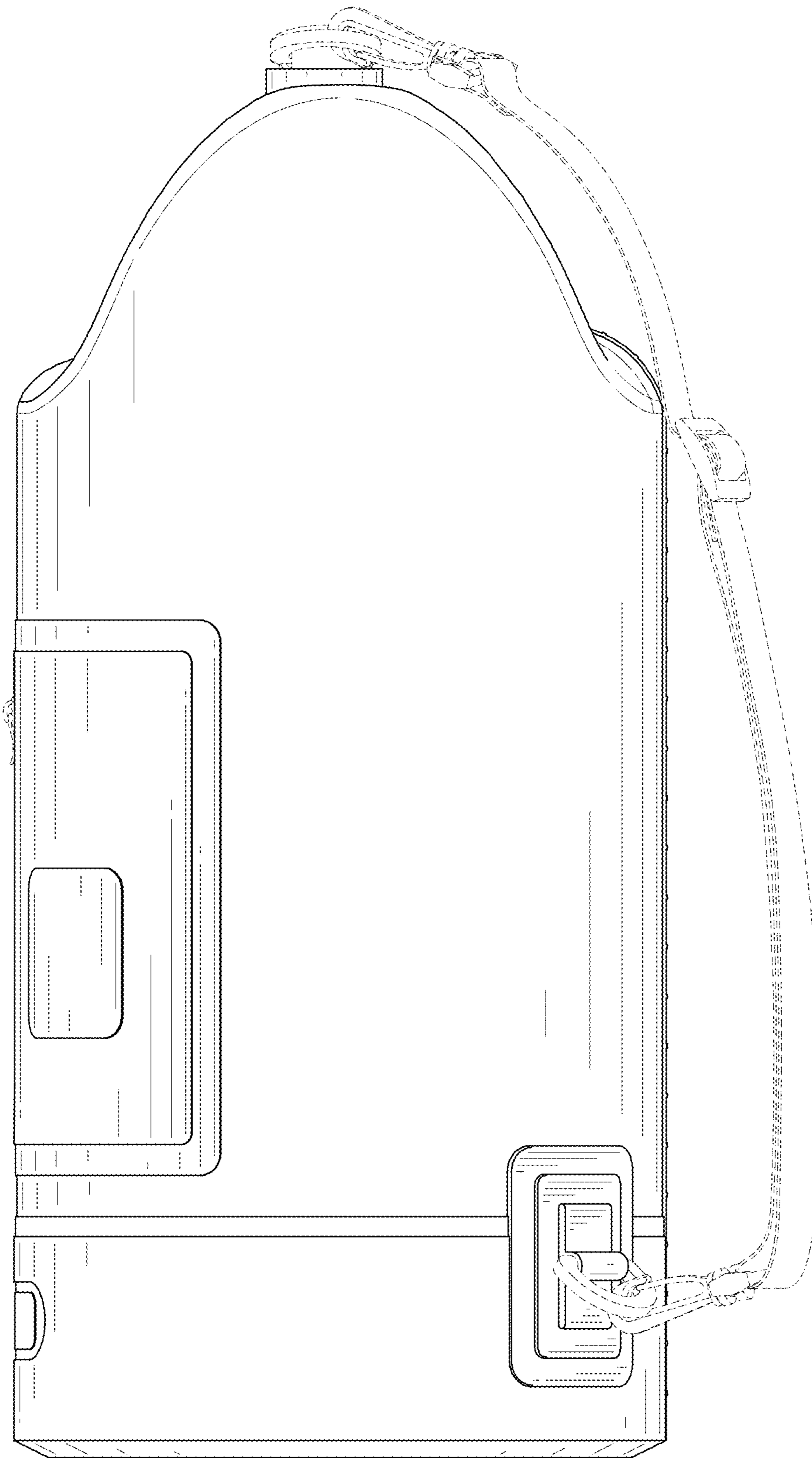


FIG. 6

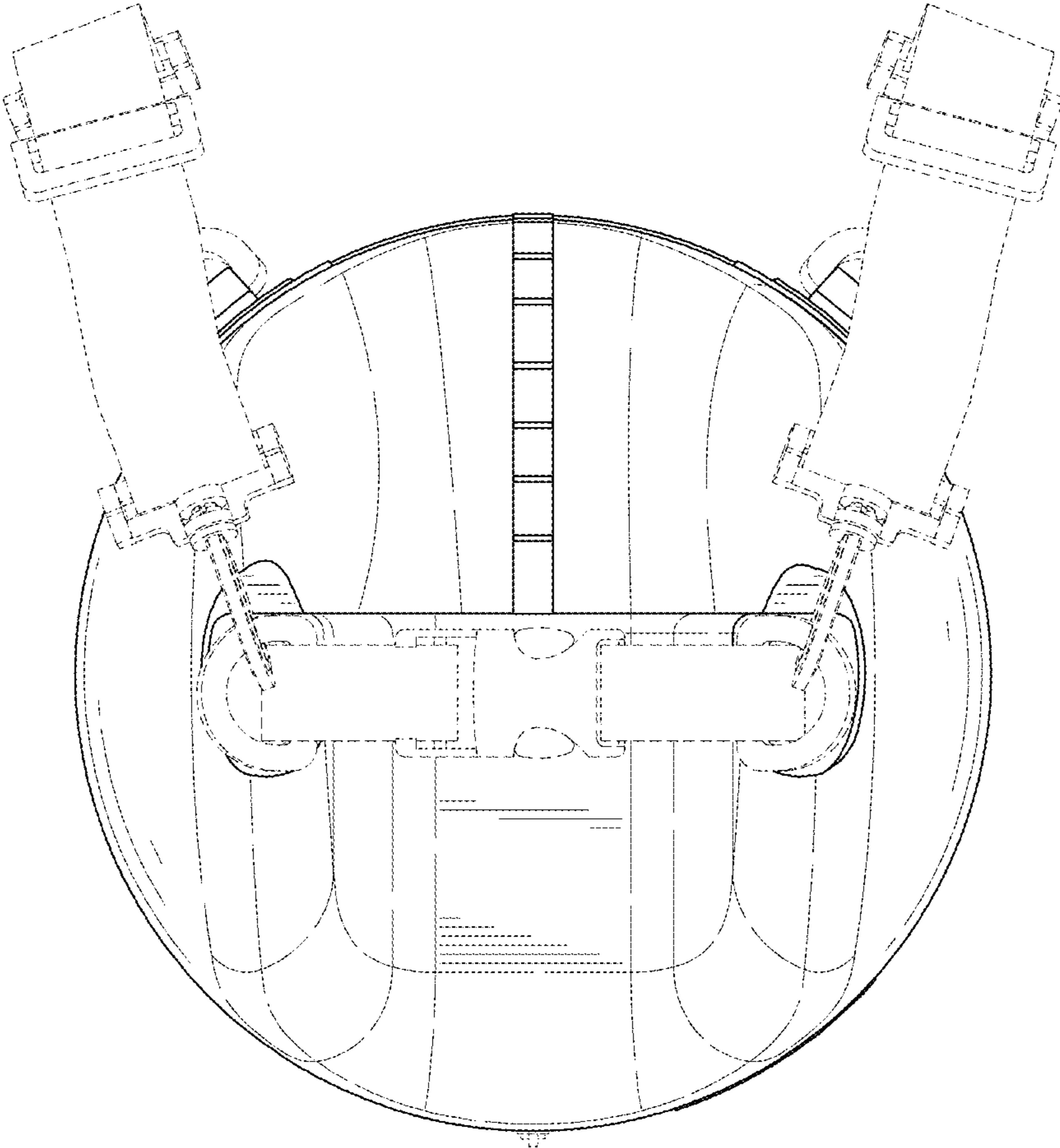


FIG. 7

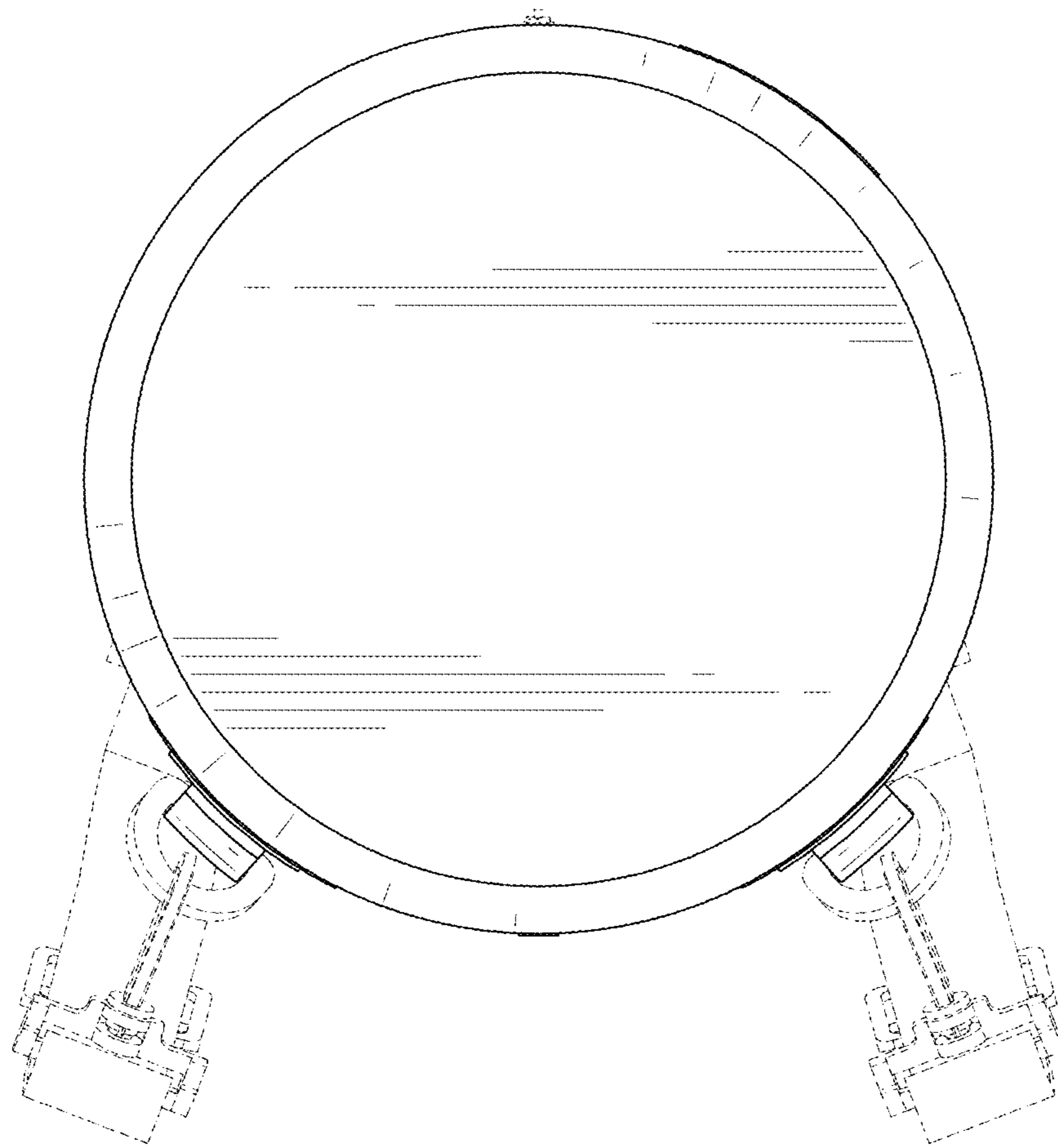


FIG. 8