



US00D878732S

(12) **United States Design Patent**
de Courreges

(10) **Patent No.:** **US D878,732 S**

(45) **Date of Patent:** **** Mar. 24, 2020**

(54) **SANDAL UPPER**

(71) Applicant: **Heather de Courreges**, Hoboken, NJ
(US)

(72) Inventor: **Heather de Courreges**, Hoboken, NJ
(US)

(73) Assignee: **JPT Group LLC**, Medina, MN (US)

(**) Term: **15 Years**

(21) Appl. No.: **29/636,326**

(22) Filed: **Feb. 7, 2018**

(51) **LOC (12) Cl.** **02-04**

(52) **U.S. Cl.**
USPC **D2/971; D2/917**

(58) **Field of Classification Search**

USPC D2/896, 900, 919-922, 925-942, 969,
D2/971; D5/47, 49, 50, 53, 54, 56, 60
CPC ... A43B 13/181; A43B 13/141; A43B 13/186;
A43B 13/188; A43B 23/00; A43B 23/02;
A43B 5/00; A43B 23/26; A43B 1/04;
A43B 11/14; A43B 7/00; A43B 3/12;
A43C 3/00; A43C 5/00; A43C 7/00;
A43C 11/004

See application file for complete search history.

(56) **References Cited**

U.S. PATENT DOCUMENTS

D419,283 S *	1/2000	Coito	D2/916
D486,297 S *	2/2004	Magro	D2/917
D528,746 S *	9/2006	Belley	D2/916
D561,455 S *	2/2008	Belley	D2/917
D577,482 S *	9/2008	Weitzman	D2/969
D582,147 S *	12/2008	Weitzman	D2/917

D634,920 S *	3/2011	Martinez	D2/917
D657,539 S *	4/2012	Schwinger	D2/917
D658,360 S *	5/2012	LaRusso	D2/917
D679,897 S *	4/2013	Issler	D2/917
D690,912 S *	10/2013	Choi	D2/917
D711,078 S *	8/2014	Vasyli	D2/917
D724,823 S *	3/2015	Issler	D2/917
D841,946 S *	3/2019	Egelja	D2/917

* cited by examiner

Primary Examiner — Dominic V Simone

(74) *Attorney, Agent, or Firm* — Alberto Q. Amatong, Jr.;
Amatong McCoy LLC

(57) **CLAIM**

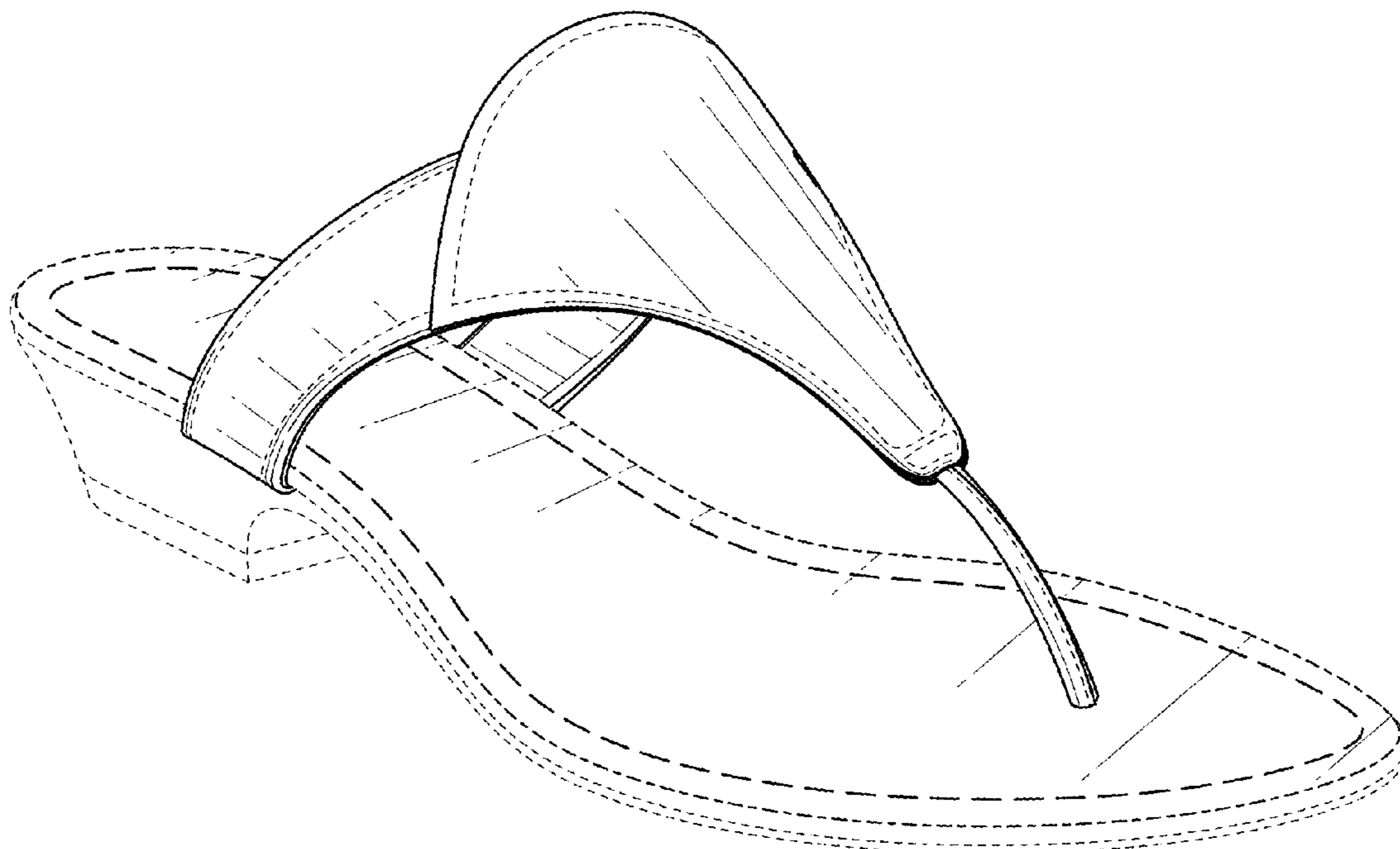
The ornamental design for a sandal upper, as shown and described.

DESCRIPTION

FIG. 1 is a perspective view of a sandal upper showing my new design;
FIG. 2 is a front elevation view thereof;
FIG. 3 is a rear elevation view thereof;
FIG. 4 is a side view thereof;
FIG. 5 is an opposite side view thereof;
FIG. 6 is a top view thereof; and,
FIG. 7 is a bottom view thereof.

The broken lines applied to the sandal upper, which may appear in any of FIGS. 1-2, and 4-7, represent claimed stitching. Broken lines in or showing the sole of the sandal, including surfaces of the insole and the outsole, in FIGS. 1-7, are for environmental purposes only and form no part of the claimed design. The claimed design does not include any part of the sole.

1 Claim, 6 Drawing Sheets



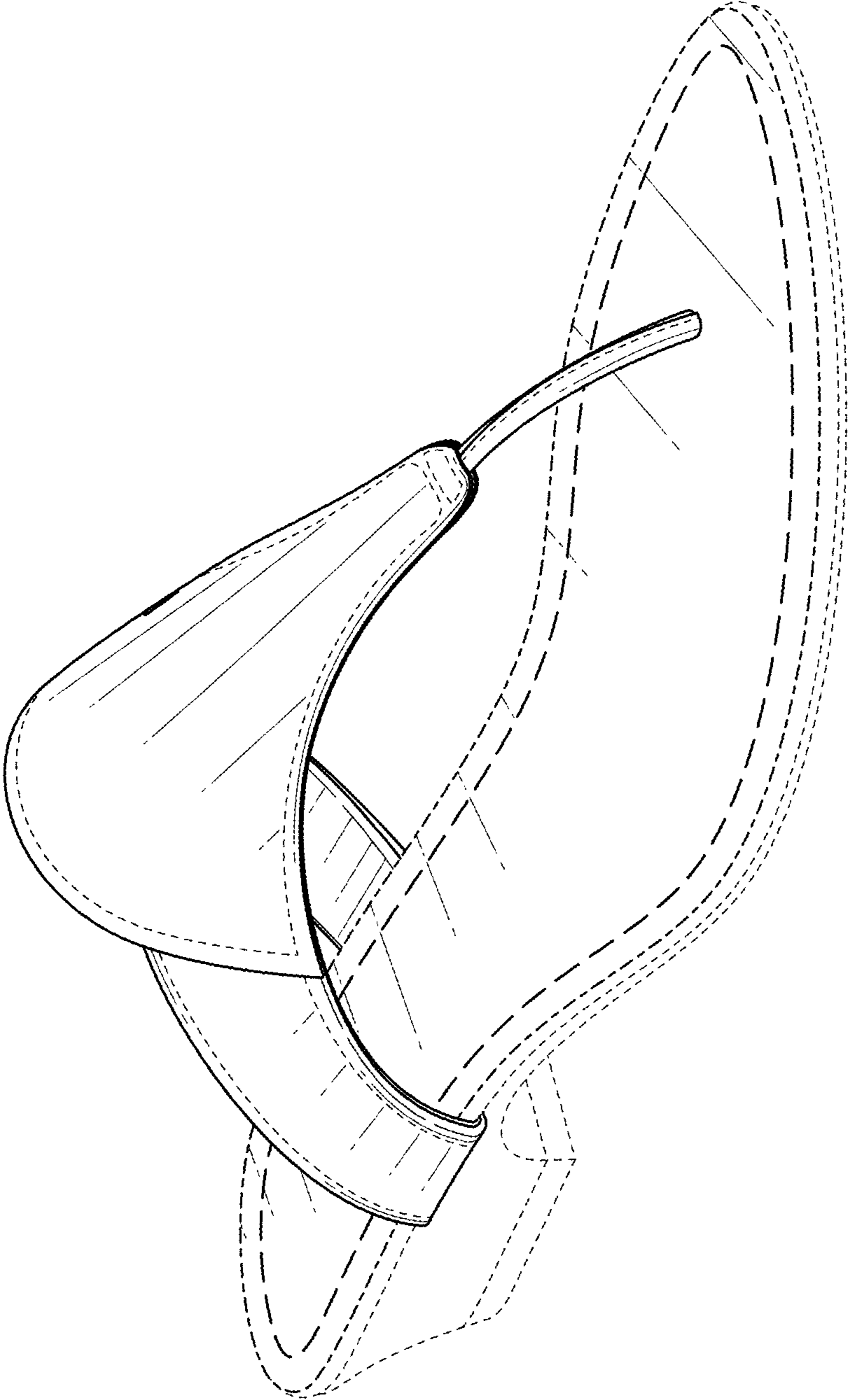


FIG. 1

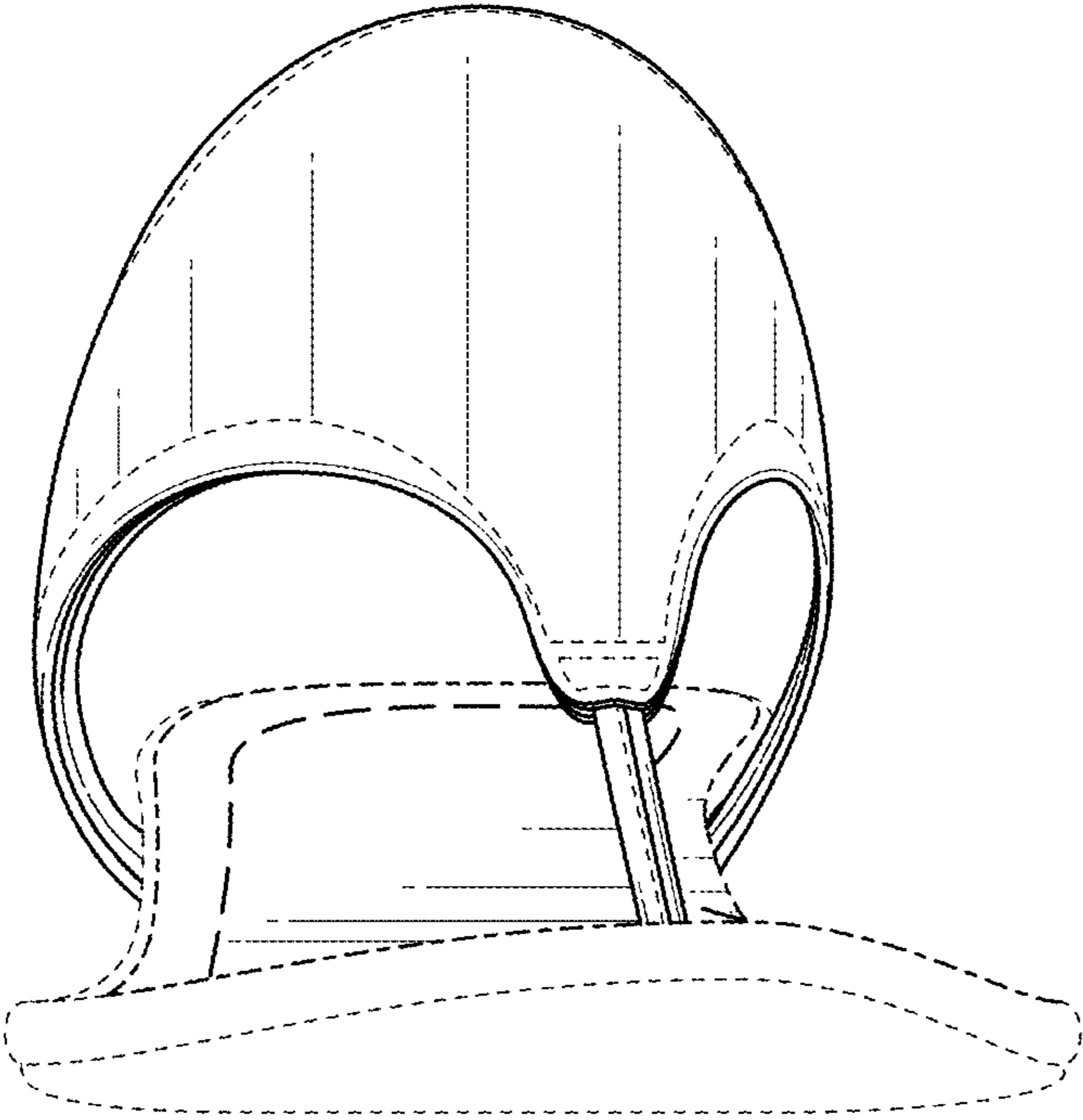


FIG. 2

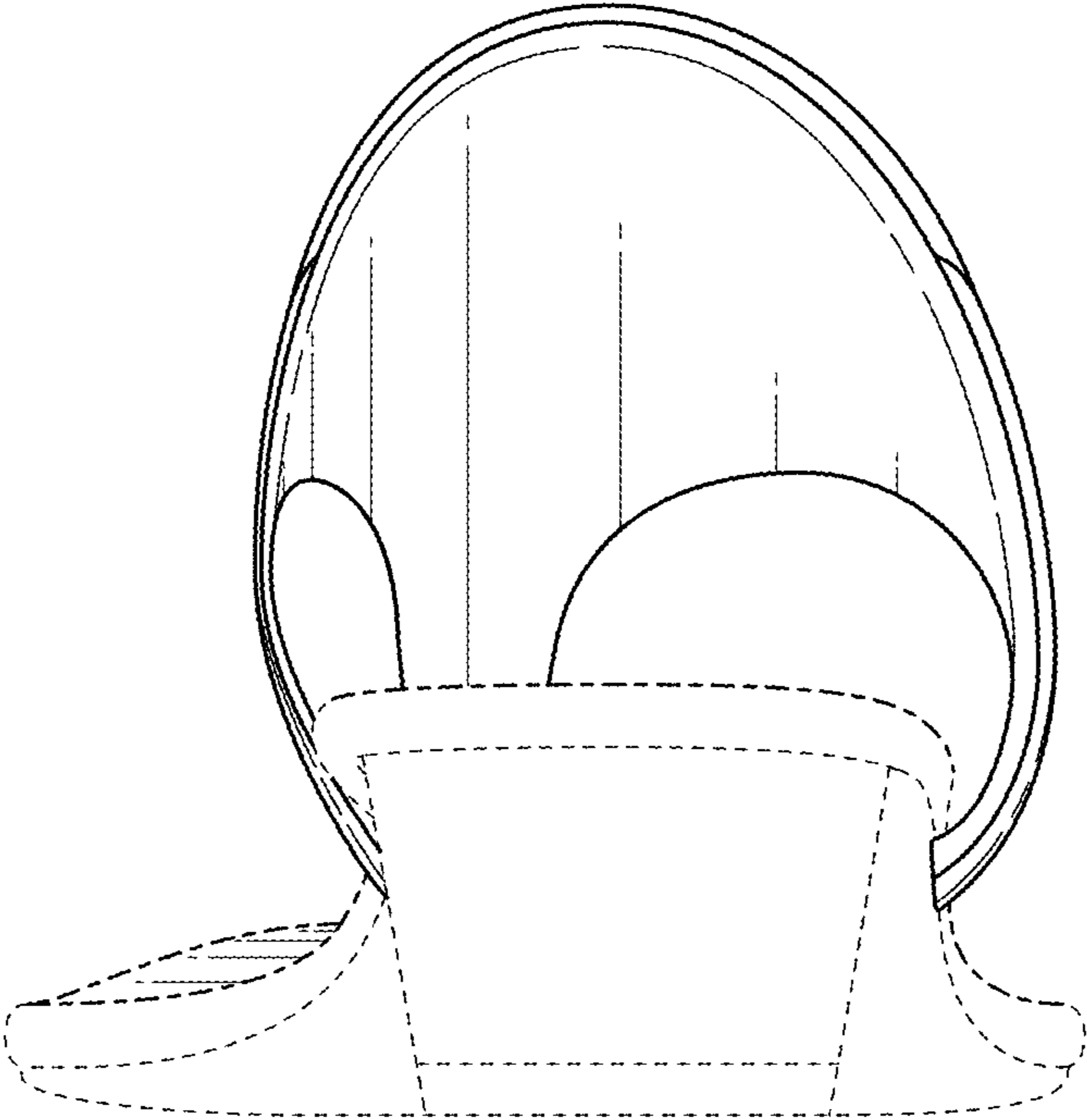


FIG. 3

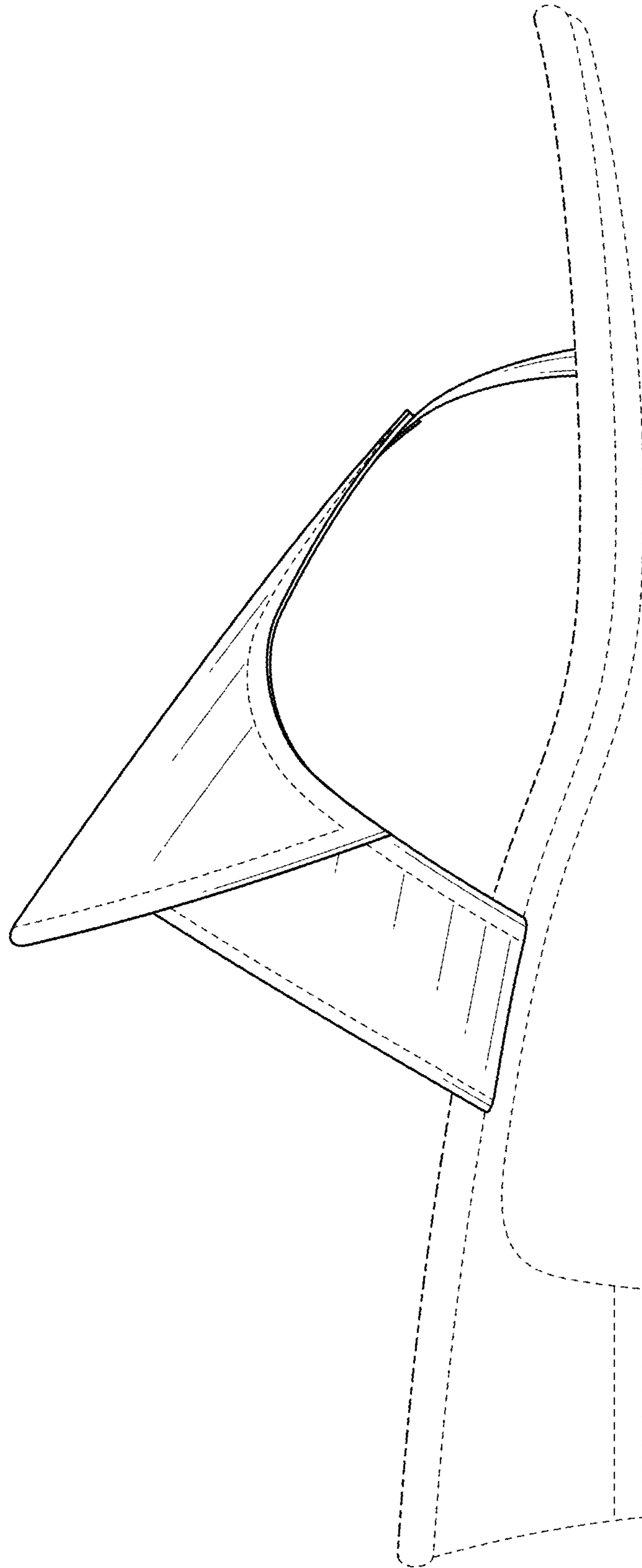


FIG. 4

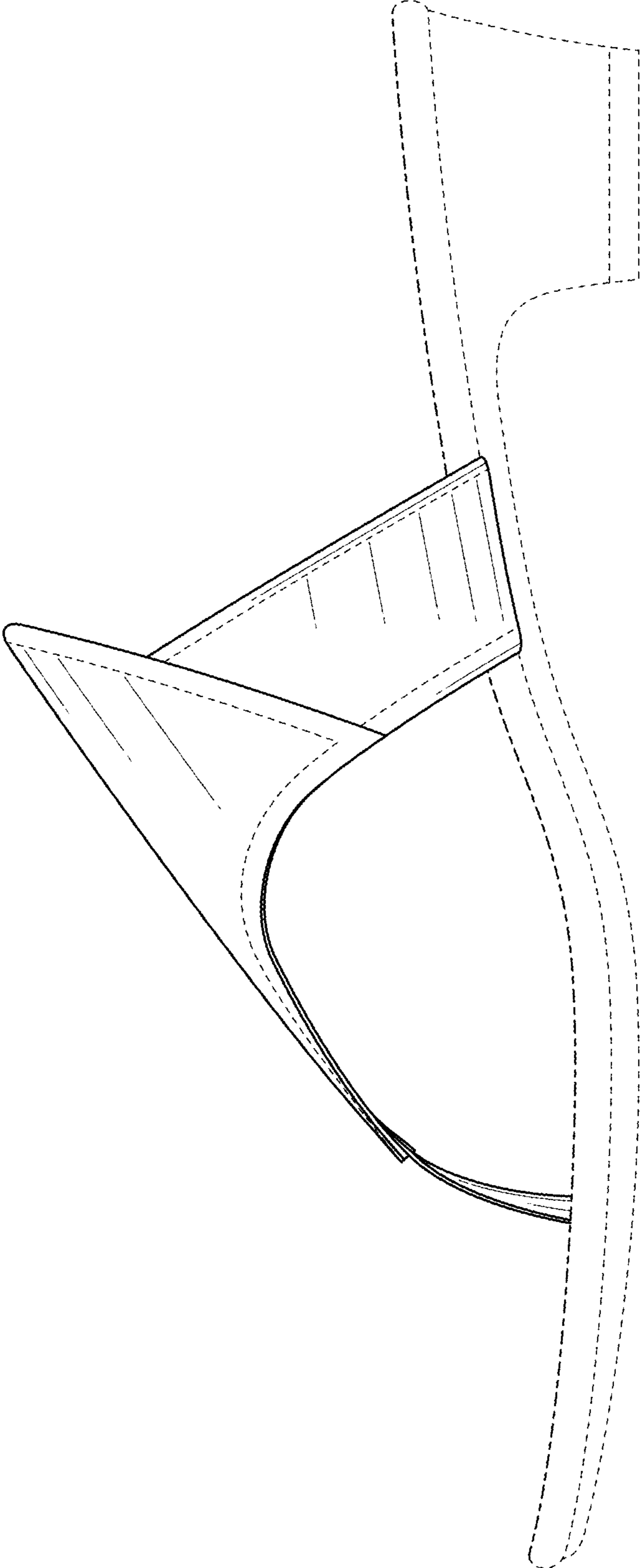


FIG. 5

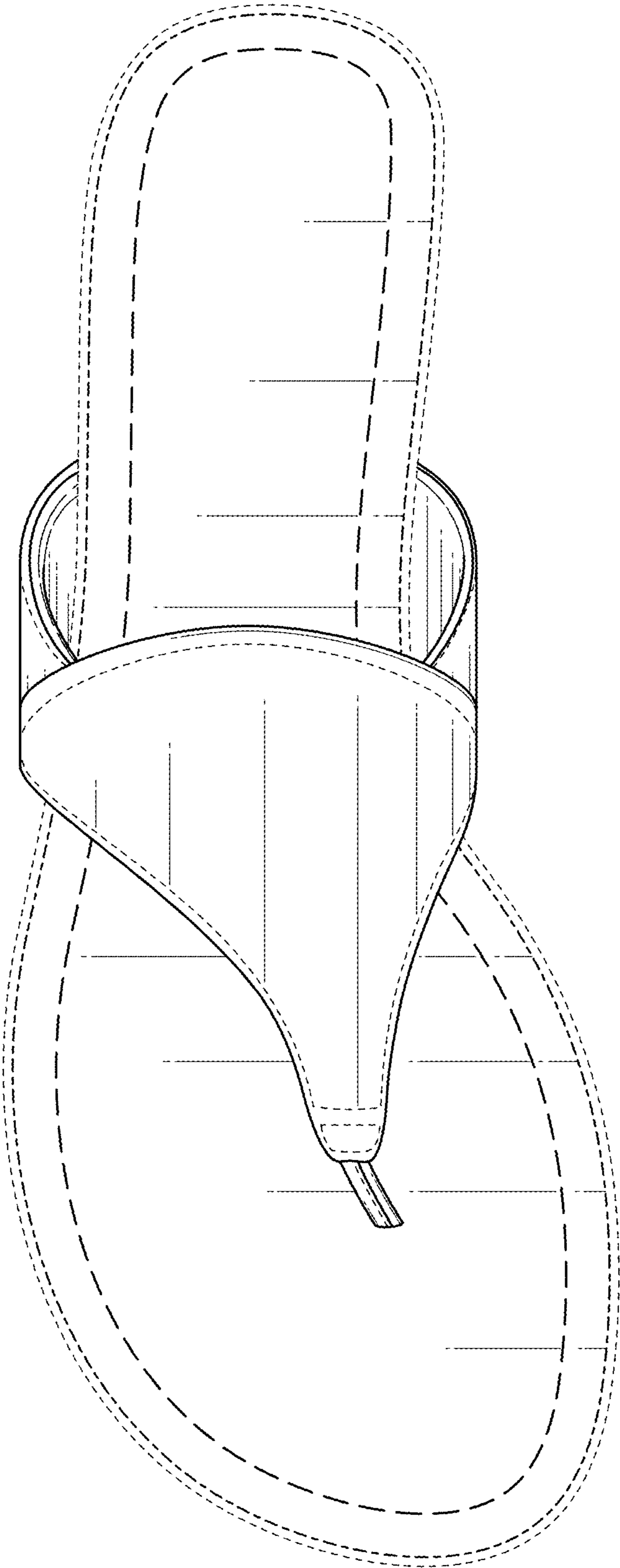


FIG. 6

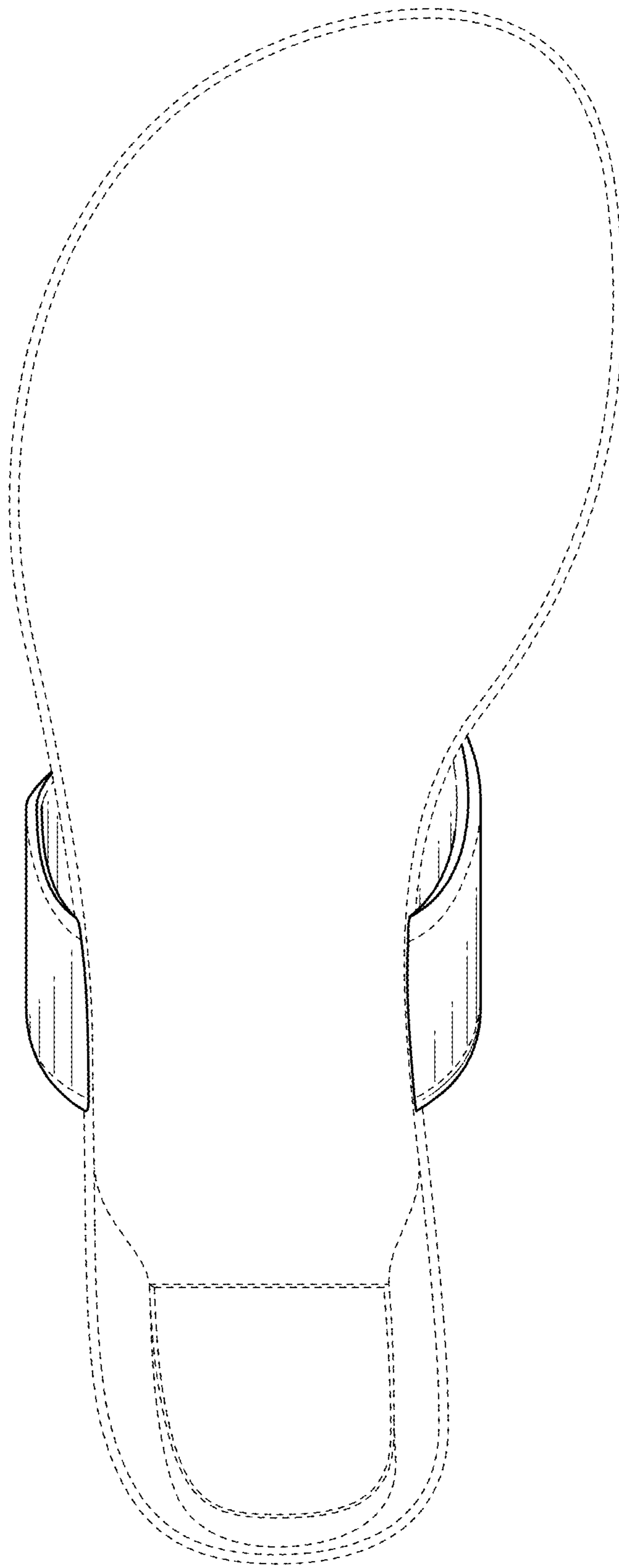


FIG. 7