



US00D878730S

(12) **United States Design Patent** (10) **Patent No.:** **US D878,730 S**
Van De Stouwe et al. (45) **Date of Patent:** **** Mar. 24, 2020**

(54) **FOOTWEAR**

(71) Applicant: **J. Choo Limited**, London (GB)

(72) Inventors: **John Maurice Van De Stouwe**,
London (GB); **Samuel D’Avoine**,
London (GB)

(73) Assignee: **J. Choo Limited**, London (GB)

(**) Term: **15 Years**

(21) Appl. No.: **29/687,129**

(22) Filed: **Apr. 10, 2019**

(30) **Foreign Application Priority Data**

Nov. 9, 2018 (EM) 005822004-0005

(51) **LOC (12) Cl.** **02-04**

(52) **U.S. Cl.**
USPC **D2/969**

(58) **Field of Classification Search**
USPC D2/896, 897, 902, 904, 906–908, 946,
D2/969, 972–974; D5/47, 49, 50, 53, 54,
D5/56, 60

CPC ... A43B 13/181; A43B 13/141; A43B 13/186;
A43B 13/188; A43B 23/00; A43B 23/02;
A43B 5/00; A43B 23/26; A43B 1/04;
A43B 11/14; A43B 7/00; A43B 3/12;
A43C 3/00; A43C 5/00; A43C 7/00;
A43C 11/004

See application file for complete search history.

(56) **References Cited**

U.S. PATENT DOCUMENTS

D284,616 S	7/1986	Gamm	
D333,376 S	2/1993	Raffe	
D394,342 S	5/1998	Schneider	
D405,946 S	2/1999	Egelja et al.	
D446,639 S *	8/2001	Yang	D2/902
D479,643 S	9/2003	O’Shea et al.	
D488,916 S	4/2004	McClaskie	

D489,522 S *	5/2004	Benini	D2/969
D538,516 S *	3/2007	Della Valle	D2/902
D541,026 S	4/2007	James	
D552,334 S	10/2007	Lee	
D562,539 S	2/2008	Hulbert	
D565,283 S *	4/2008	Smith	D2/902
D592,838 S *	5/2009	Bourdin	D2/902
D636,564 S *	4/2011	Matsueda	D2/902
D672,949 S	12/2012	Bramani	

(Continued)

OTHER PUBLICATIONS

Footwear—Oversized Runner by Alexander McQueen (https://www.alexandermcqueen.com/us/alexandermcqueen/runner_cod11637288rk.html#dept=m_sneakers_spl)—published at least earlier than Nov. 9, 2017.

Primary Examiner — Dominic V Simone

(74) *Attorney, Agent, or Firm* — Fross Zelnick Lehrman & Zissu, P.C.; Lawrence E. Apolzon, Esq.

(57) **CLAIM**

The ornamental design for a footwear, as shown and described.

DESCRIPTION

The file of this patent contains at least one drawing/photograph executed in color. Copies of this patent with color drawing(s)/photograph(s) will be provided by the Office upon request and payment of the necessary fee.

FIG. 1 is a front perspective view of a footwear showing our new design;

FIG. 2 is a front view thereof;

FIG. 3 is a back view thereof;

FIG. 4 is a left side view thereof;

FIG. 5 is a right side view thereof; and,

FIG. 6 is a top view thereof.

The broken lines showing of portions in the drawings shows unclaimed subject matter.

1 Claim, 6 Drawing Sheets
(6 of 6 Drawing Sheet(s) Filed in Color)



(56)

References Cited

U.S. PATENT DOCUMENTS

D690,091 S	9/2013	Dombrow	
D699,420 S	2/2014	Teteriatnikov	
D713,631 S	9/2014	Millogo	
D727,002 S	4/2015	Sassi	
D735,455 S *	8/2015	Mochen	D2/969
D738,084 S *	9/2015	Feeney	D2/907
D750,362 S	3/2016	Bizzo	
D761,537 S	7/2016	Gavrieli et al.	
D765,370 S	9/2016	Silverman	
D767,861 S	10/2016	Wattimena	
D787,169 S	5/2017	Sassi	
D789,058 S	6/2017	Pierone	
D804,157 S	12/2017	Pierone	
D824,153 S *	7/2018	Hardman	D2/969
D838,942 S	1/2019	Sassi	
D853,702 S	7/2019	Mokos et al.	
D856,653 S	8/2019	Thompson	
D862,051 S	10/2019	Goussey	
D862,866 S	10/2019	Albrecht et al.	

* cited by examiner



FIG. 1

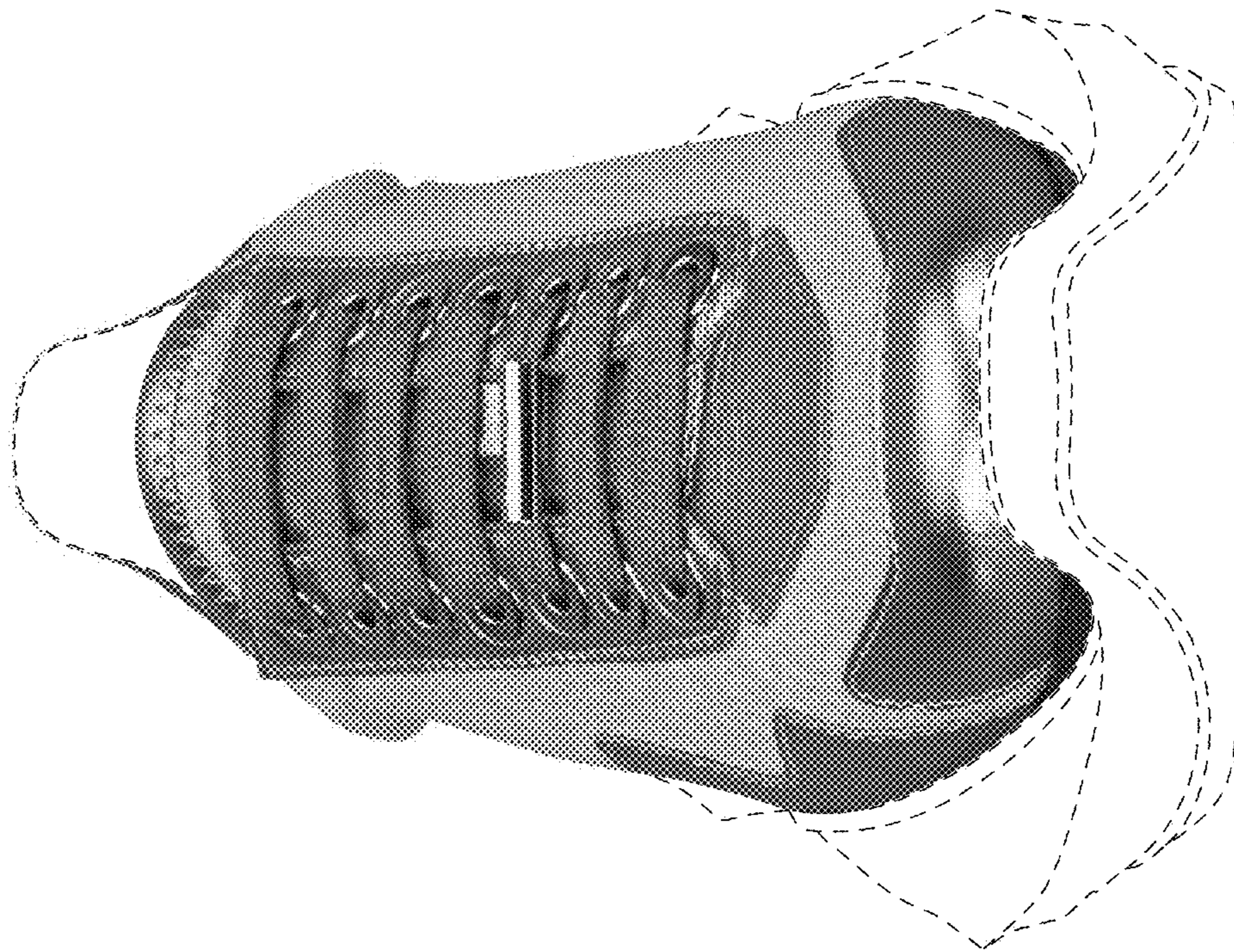


FIG. 2

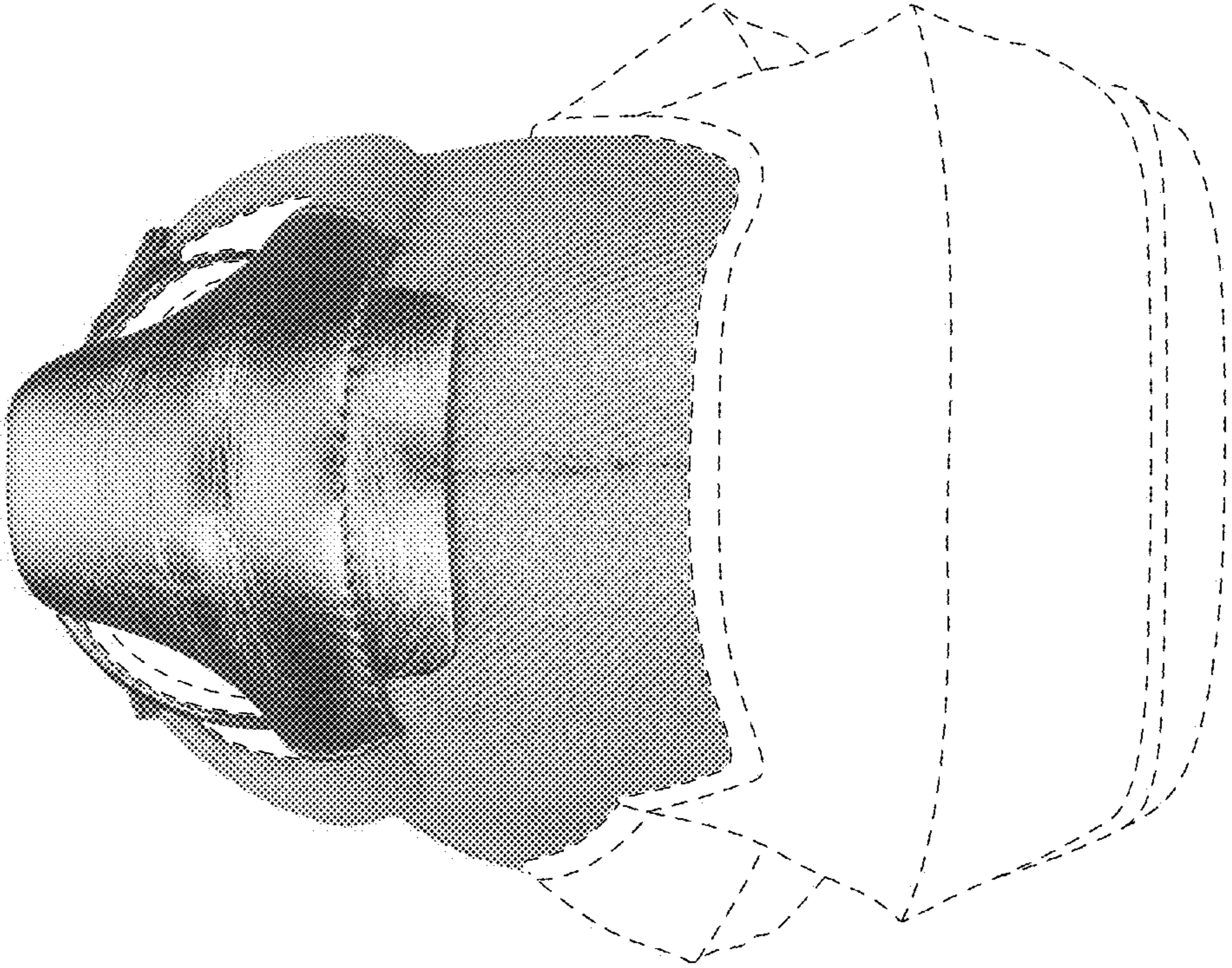


FIG. 3



FIG. 4

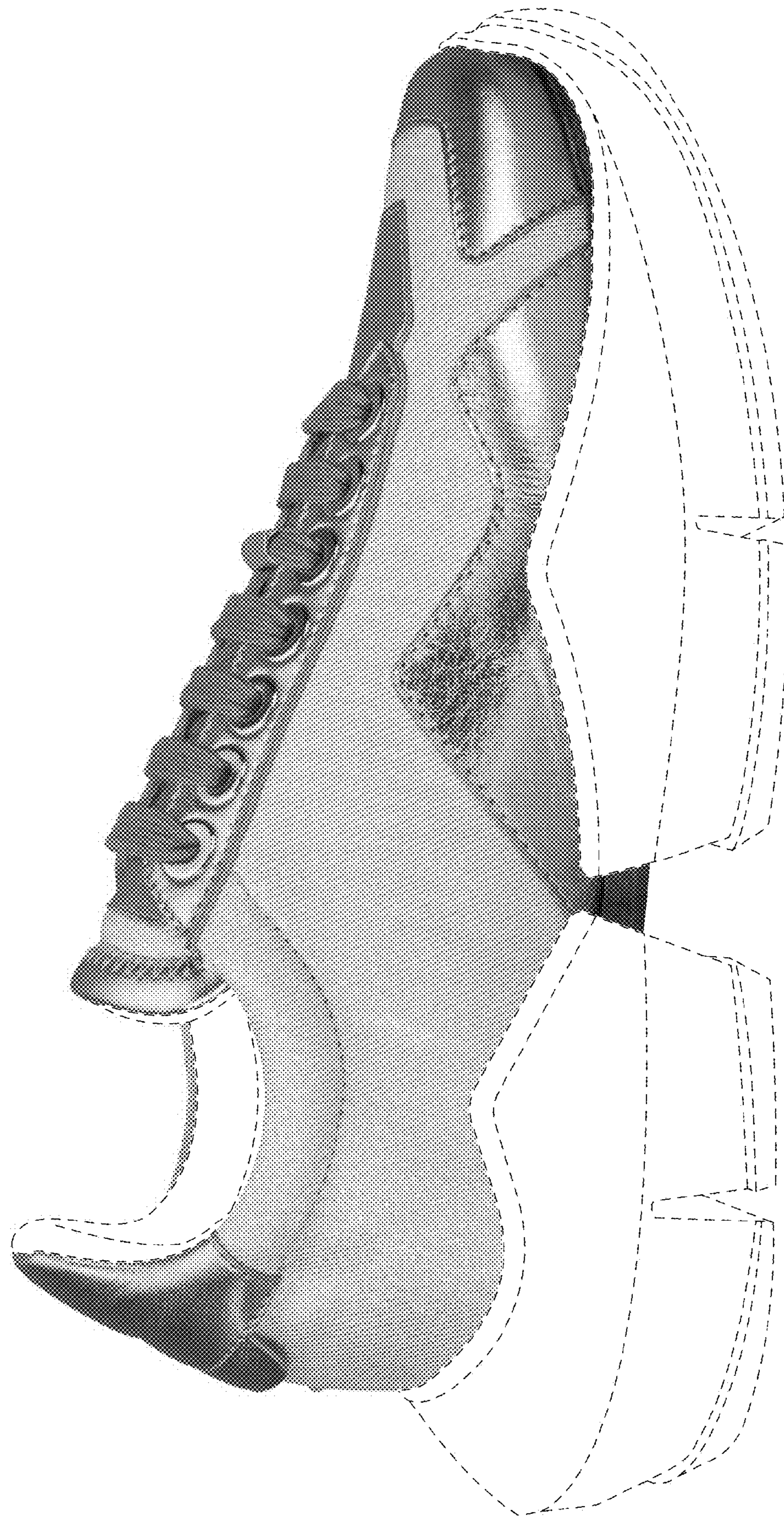


FIG. 5

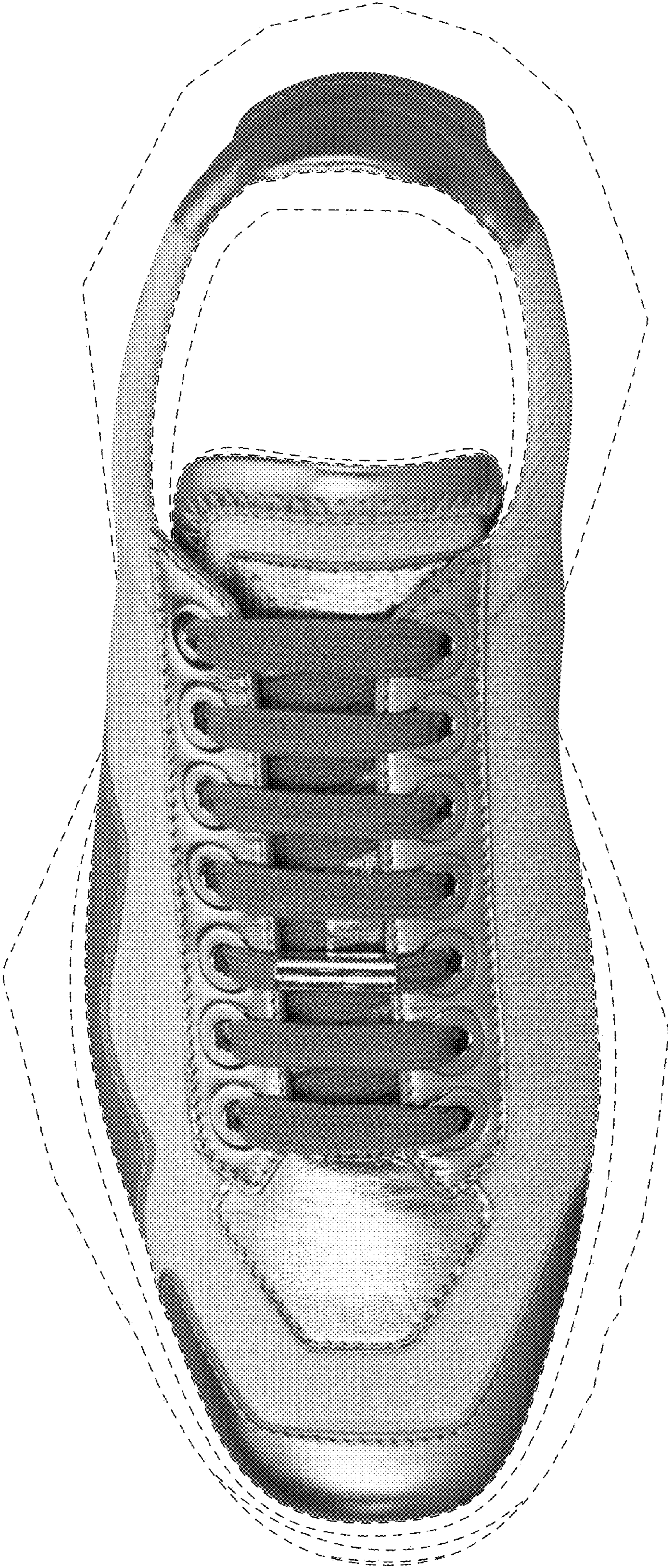


FIG. 6