



US00D878717S

(12) **United States Design Patent**
Jackson et al.

(10) **Patent No.:** **US D878,717 S**

(45) **Date of Patent:** **** Mar. 24, 2020**

(54) **SANDAL**

(71) Applicant: **Deco Slides, LLC**, San Francisco, CA (US)

(72) Inventors: **Samuel Clark Jackson**, San Francisco, CA (US); **Chase Alexander Jackson**, San Francisco, CA (US)

(73) Assignee: **Deco Slides, LLC**, San Francisco, CA (US)

(**) Term: **15 Years**

(21) Appl. No.: **29/664,309**

(22) Filed: **Sep. 24, 2018**

(51) **LOC (12) Cl.** **02-04**

(52) **U.S. Cl.**
USPC **D2/916**

(58) **Field of Classification Search**
USPC D2/896-900, 916-926, 946, 969
CPC .. A43B 3/12; A43B 3/128; A43B 3/10; A43B 3/102

See application file for complete search history.

(56) **References Cited**

U.S. PATENT DOCUMENTS

5,802,738	A *	9/1998	Ferniani	A43B 3/103
					36/101
D576,390	S *	9/2008	del Biondi	D2/916
D595,940	S *	7/2009	Feller	D2/916
D615,737	S *	5/2010	Feller	D2/896
7,877,903	B2	2/2011	Barteet		
D672,943	S *	12/2012	Reddell	D2/909
D783,955	S *	4/2017	Fullerton	D2/916
D843,090	S *	3/2019	Fongher	D2/916
D856,640	S *	8/2019	Brinkhof	D2/916

2013/0305563	A1	11/2013	Aveni
2017/0119085	A1	5/2017	Gerstenberger et al.
2017/0318895	A1	11/2017	Thomasson

FOREIGN PATENT DOCUMENTS

WO	2016/203434	A1	12/2016
WO	2017/180268	A1	10/2017

OTHER PUBLICATIONS

International Search Report and Written Opinion of the International Searching Authority issued for corresponding International Patent Application No. PCT/US2018/065702, dated Apr. 18, 2019.

* cited by examiner

Primary Examiner — Rashida C. Walshon

(74) *Attorney, Agent, or Firm* — Myers Wolin, LLC

(57) **CLAIM**

The ornamental design for a sandal, as shown and described.

DESCRIPTION

FIG. 1 is a rear perspective view a sandal showing our new design;

FIG. 2 is a front perspective view thereof;

FIG. 3 is a front elevation view thereof;

FIG. 4 is a rear elevation view thereof;

FIG. 5 is a right side elevation view thereof;

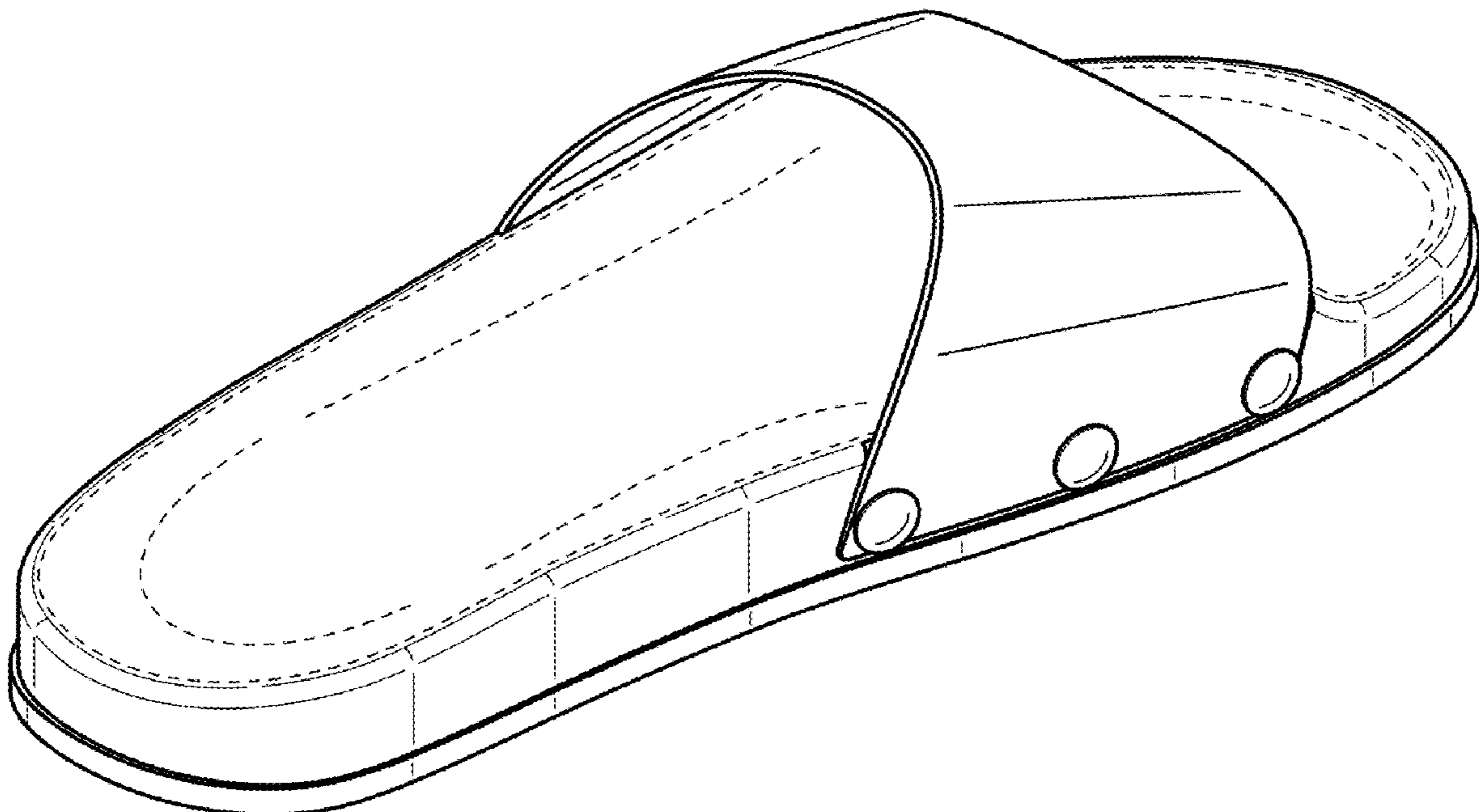
FIG. 6 is a left side elevation view thereof;

FIG. 7 is a top plan view thereof; and,

FIG. 8 is a bottom plan view thereof.

The broken lines in the drawings represent portions of the sandal that form no part of the claim.

1 Claim, 3 Drawing Sheets



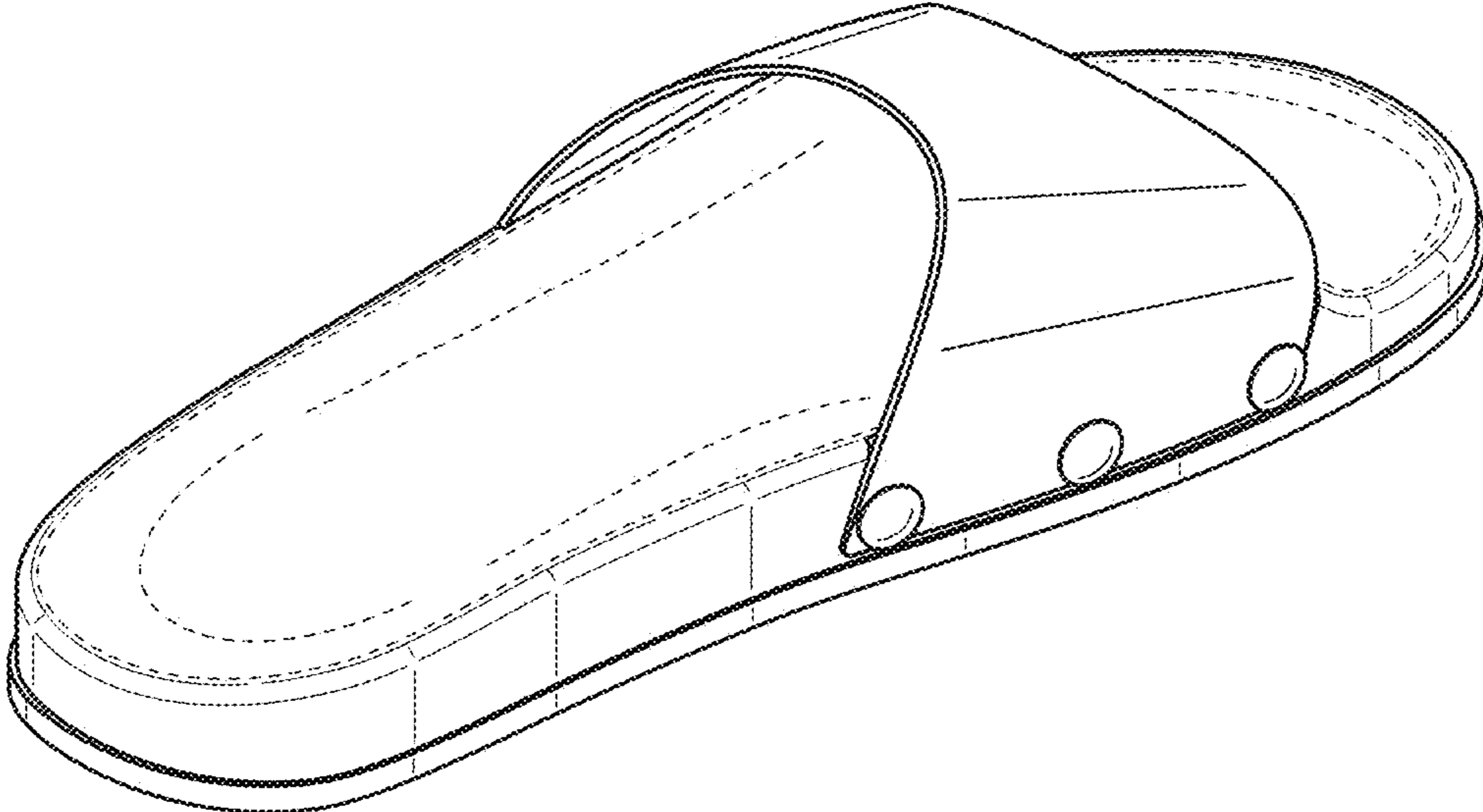


FIG. 1

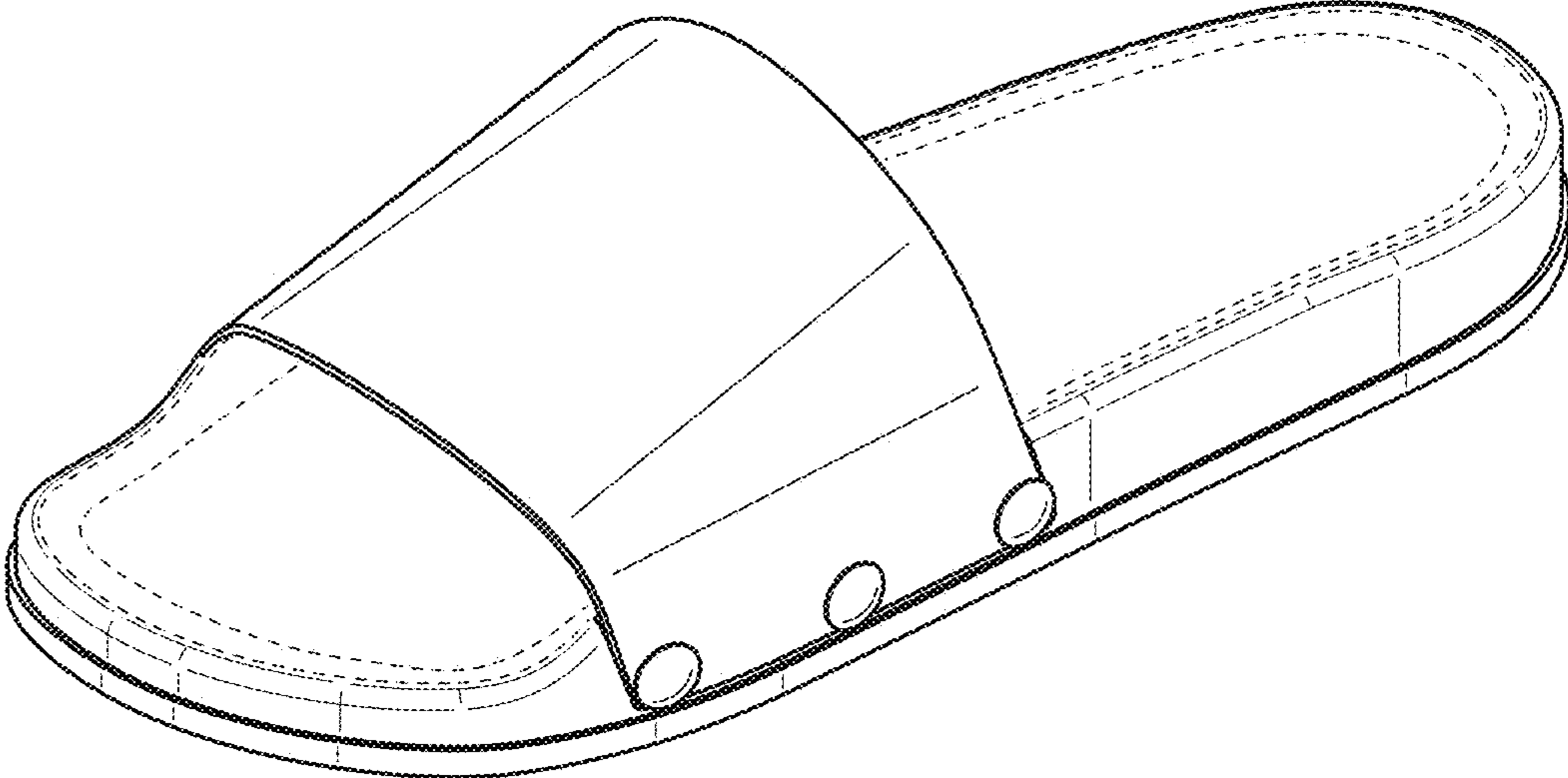


FIG. 2

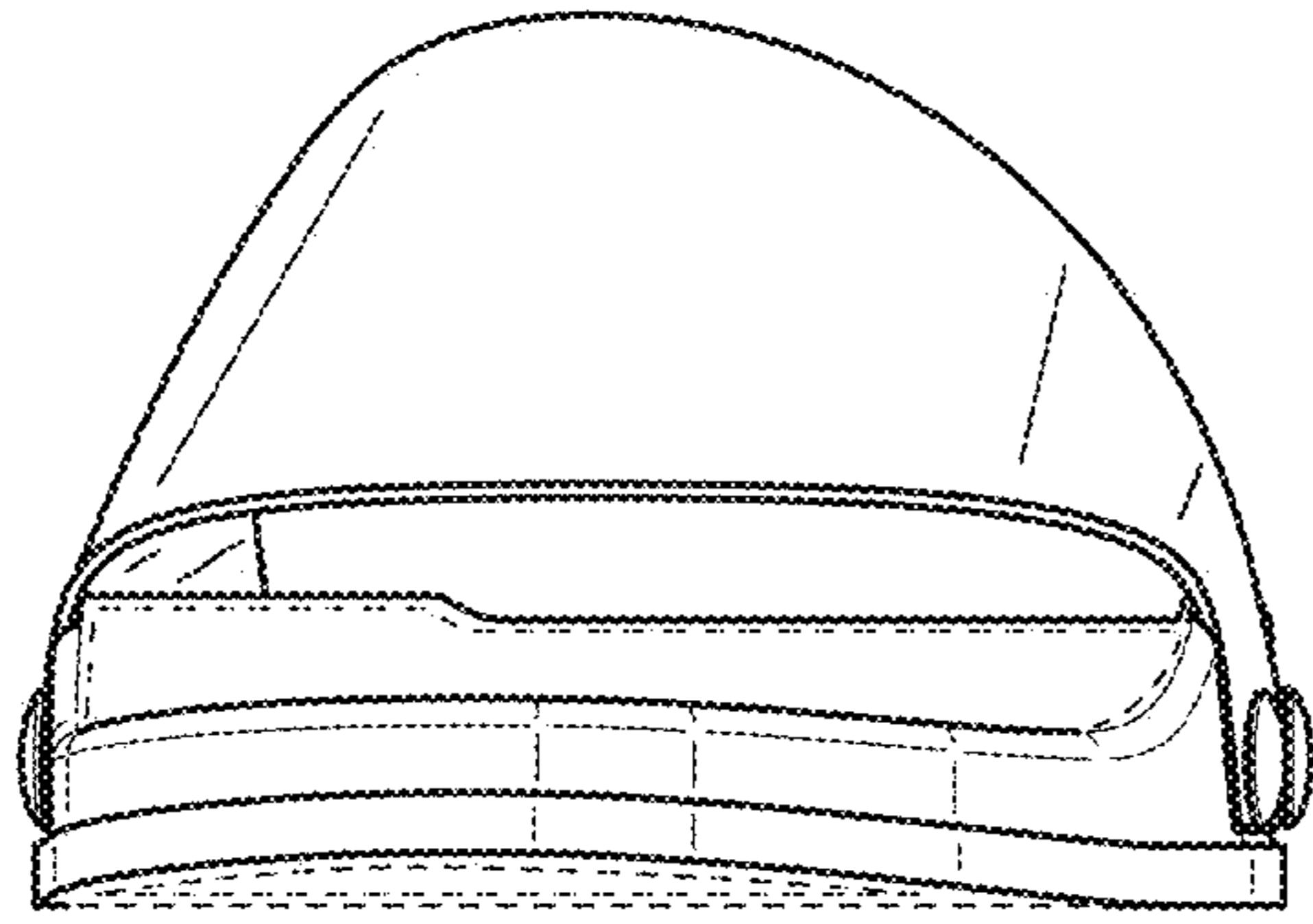


FIG. 3

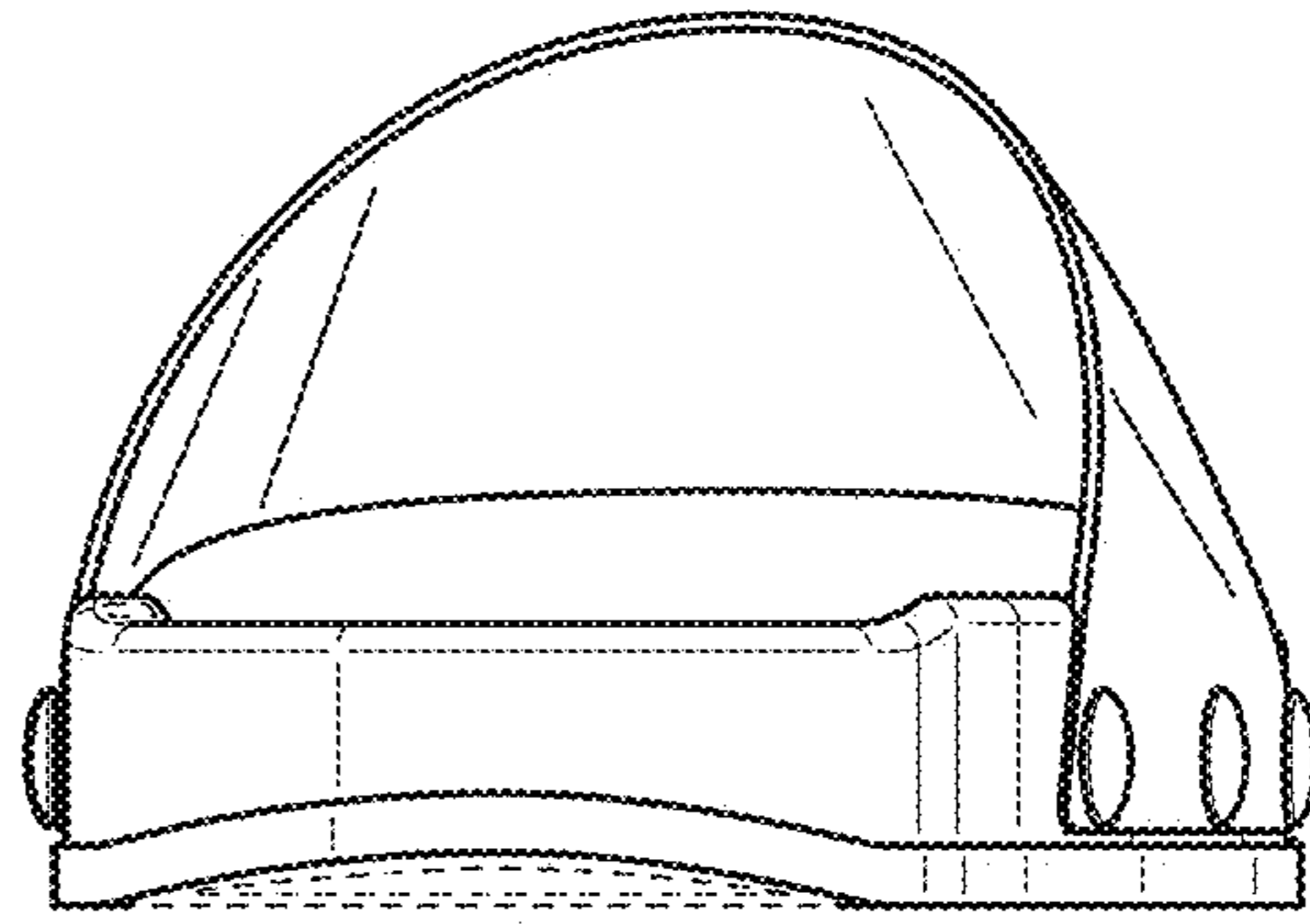


FIG. 4

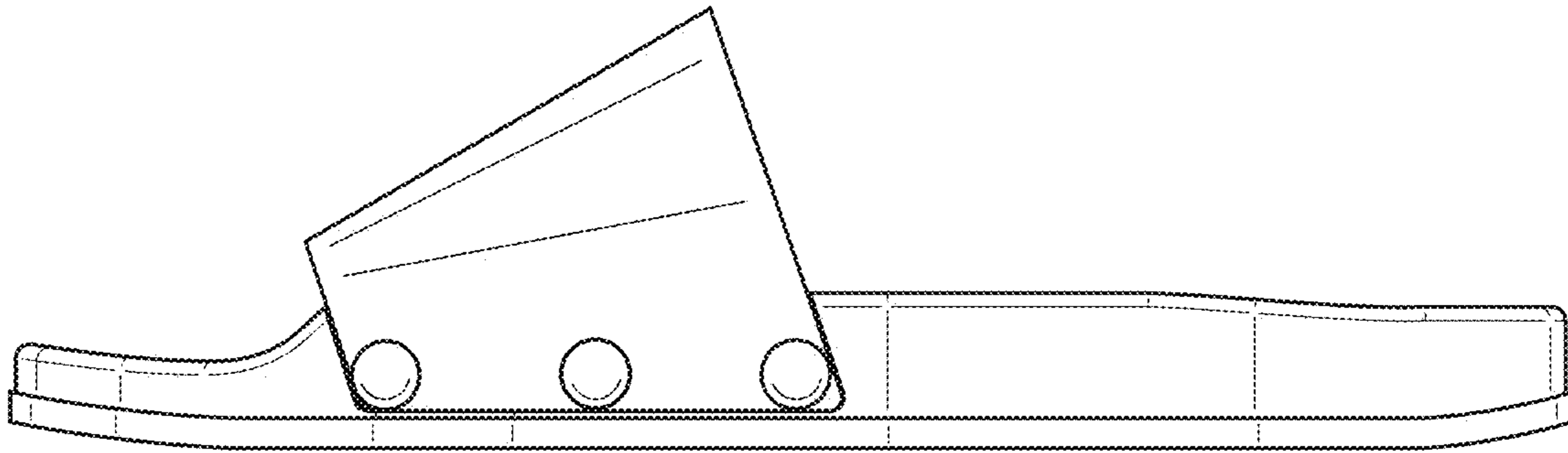


FIG. 5

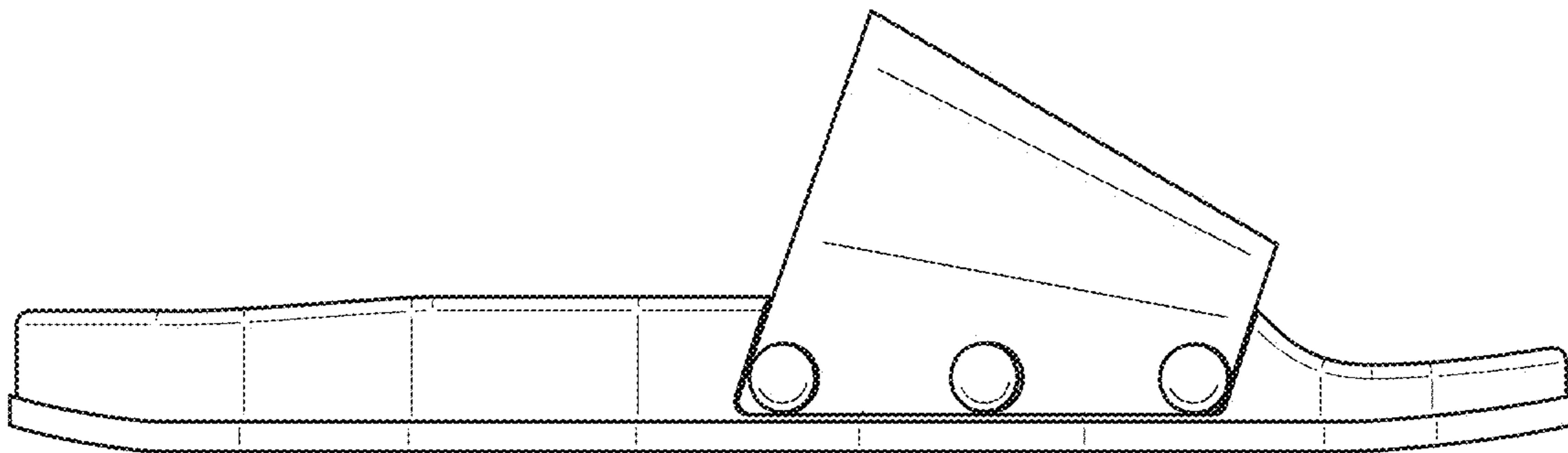


FIG. 6

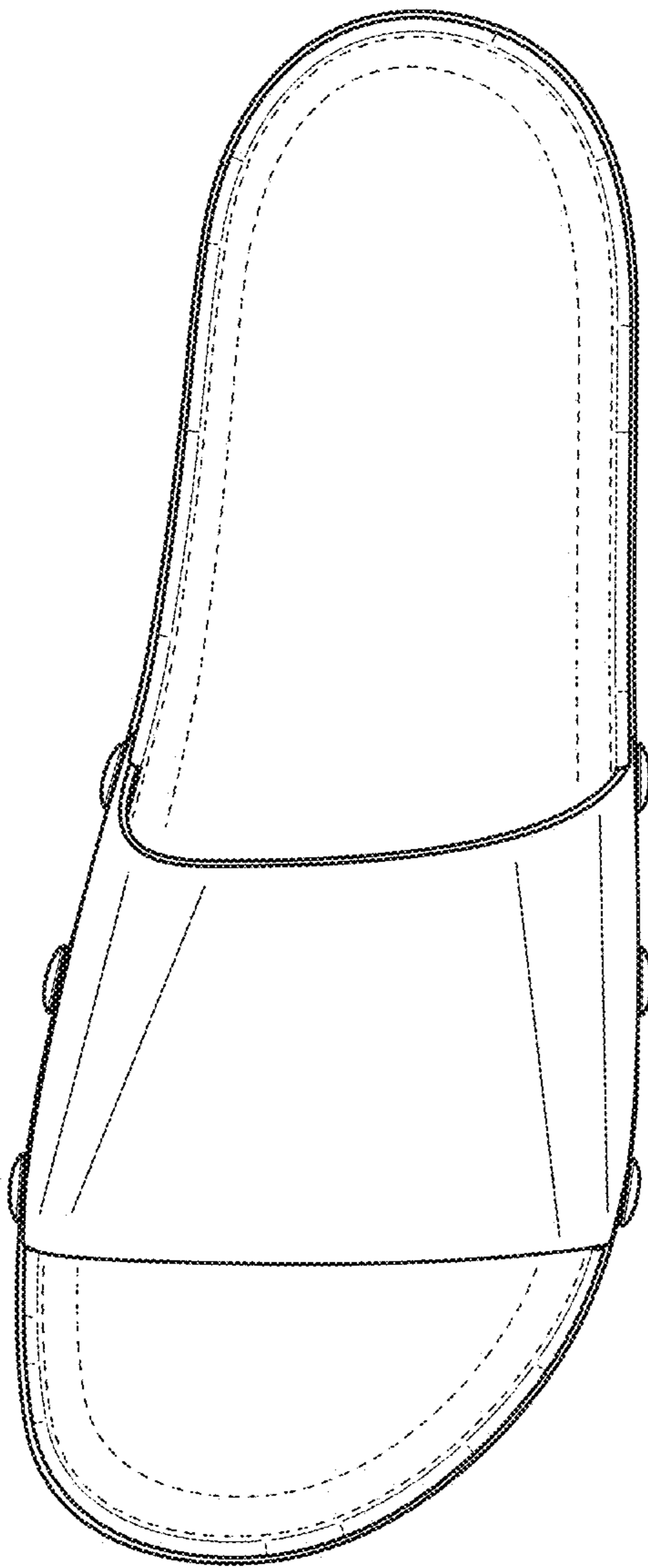


FIG. 7

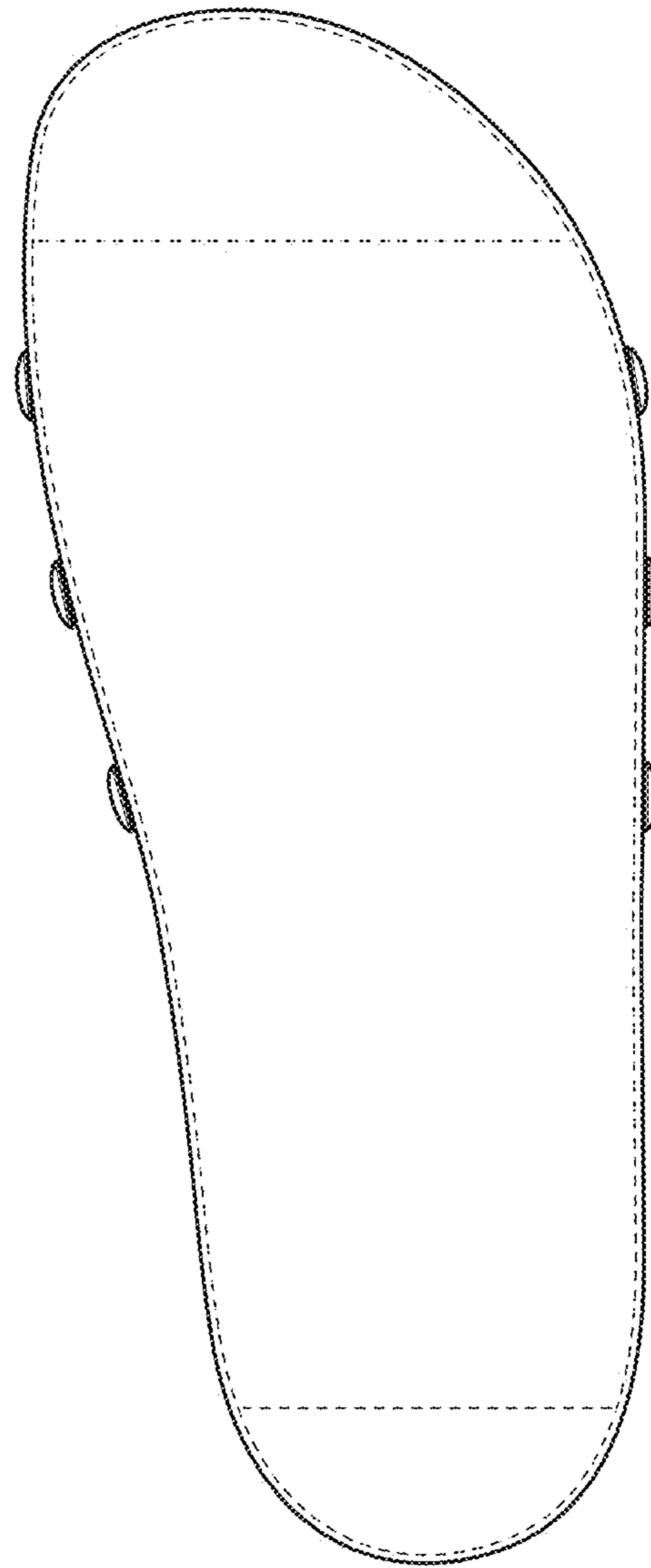


FIG. 8