



US00D878714S

(12) **United States Design Patent**
Sheridan

(10) **Patent No.:** **US D878,714 S**

(45) **Date of Patent:** **** Mar. 24, 2020**

- (54) **CLOTHING ARTICLE**
- (71) Applicant: **Chad Sheridan**, Atwood, KS (US)
- (72) Inventor: **Chad Sheridan**, Atwood, KS (US)
- (73) Assignee: **Chad B. Sheridan**, Atwood, KS (US)
- (**) Term: **15 Years**
- (21) Appl. No.: **29/663,734**
- (22) Filed: **Sep. 18, 2018**
- (51) **LOC (12) Cl.** **02-02**
- (52) **U.S. Cl.**
USPC **D2/743**
- (58) **Field of Classification Search**
USPC D2/712-713, 731, 738, 742-745, 747,
D2/853, 857, 999, 716, 728, 732; 2/78.2,
2/79, 227, 242, 404-408
CPC A41D 1/06
See application file for complete search history.

- D586,085 S * 2/2009 Lounsbury, Jr. D2/742
- D593,281 S * 6/2009 Pitchforth D2/743
- D598,181 S * 8/2009 Rowe D2/743
- D654,662 S * 2/2012 Lewis D2/743
- D690,085 S * 9/2013 Grosbol D2/743
- D727,596 S * 4/2015 Barber D2/742
- D744,206 S * 12/2015 Davis D2/853
- D818,670 S * 5/2018 Silvestre D2/742
- D825,145 S * 8/2018 Fowler D2/743

* cited by examiner

Primary Examiner — Amy C Wierenga

(74) *Attorney, Agent, or Firm* — Dorsey & Whitney LLP

(57) **CLAIM**

The ornamental design for a clothing article, as shown and described.

DESCRIPTION

FIG. 1 is an isometric view of a clothing article;
 FIG. 2 is a front view of the clothing article of FIG. 1;
 FIG. 3 is a left side view of the clothing article of FIG. 1;
 FIG. 4 is a right side view of the clothing article of FIG. 1;
 FIG. 5 is a back view of the clothing article of FIG. 1; and,
 FIG. 6 is an enlarged view of the section of the clothing article within the dot-dash circle 6-6 in FIG. 1 in use.
 The evenly-dashed broken lines in the drawings depict environmental subject matter only and form no part of the claim. The dot-dash broken line indicates cutoff boundaries for enlarged detailed portion views and form no part of the claim.

1 Claim, 4 Drawing Sheets

(56) **References Cited**

U.S. PATENT DOCUMENTS

- 2,138,588 A * 11/1938 Wann A41D 13/02
2/227
- 2,355,193 A * 8/1944 Walker A41D 1/067
2/79
- D298,380 S * 11/1988 Clutts, Sr. D2/743
- 5,359,731 A * 11/1994 Cavalier A41D 1/06
2/227
- D440,379 S * 4/2001 Breier D2/728
- D461,624 S * 8/2002 Foster D2/743

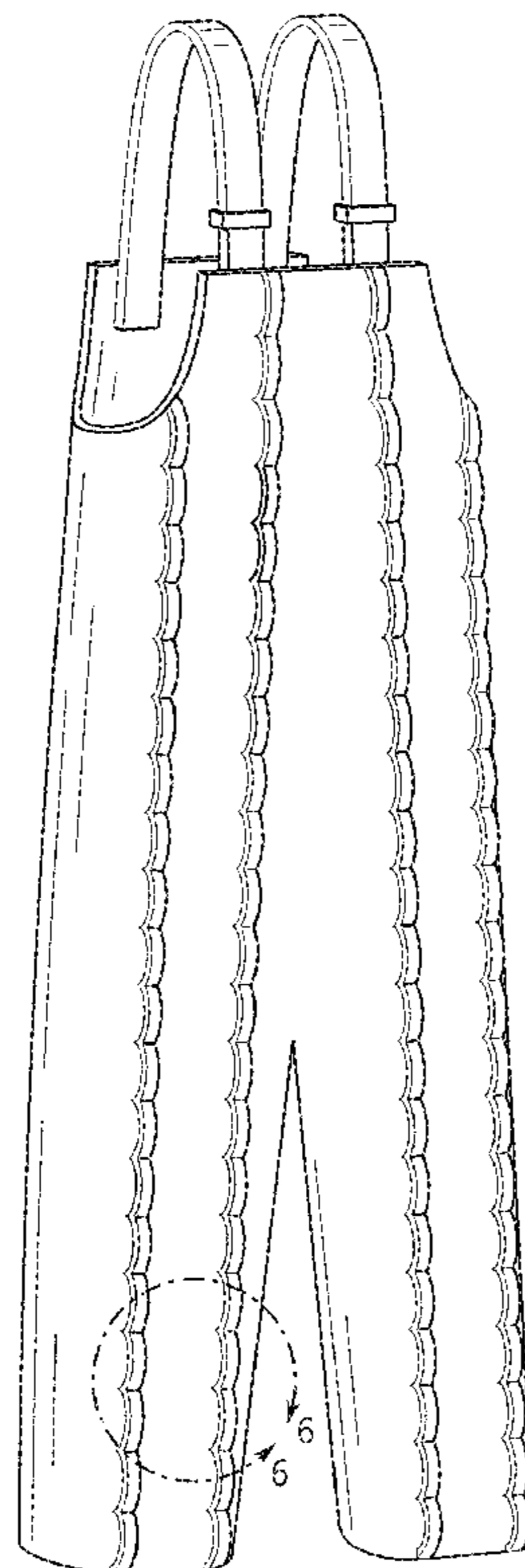
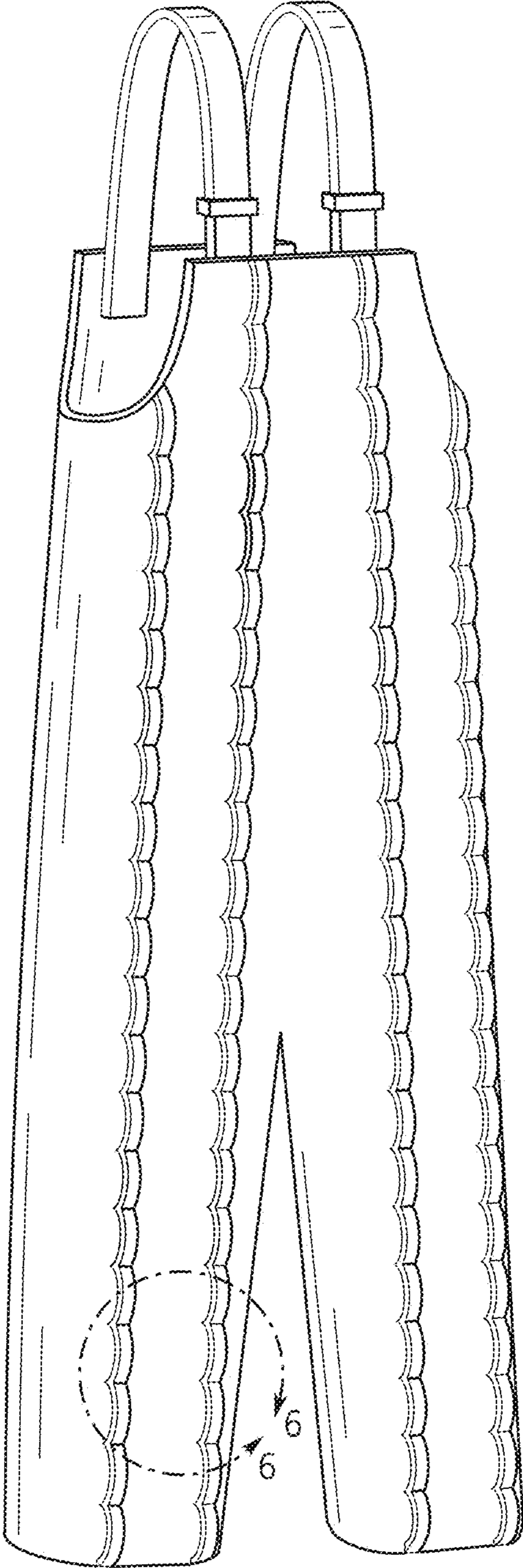


FIG. 1



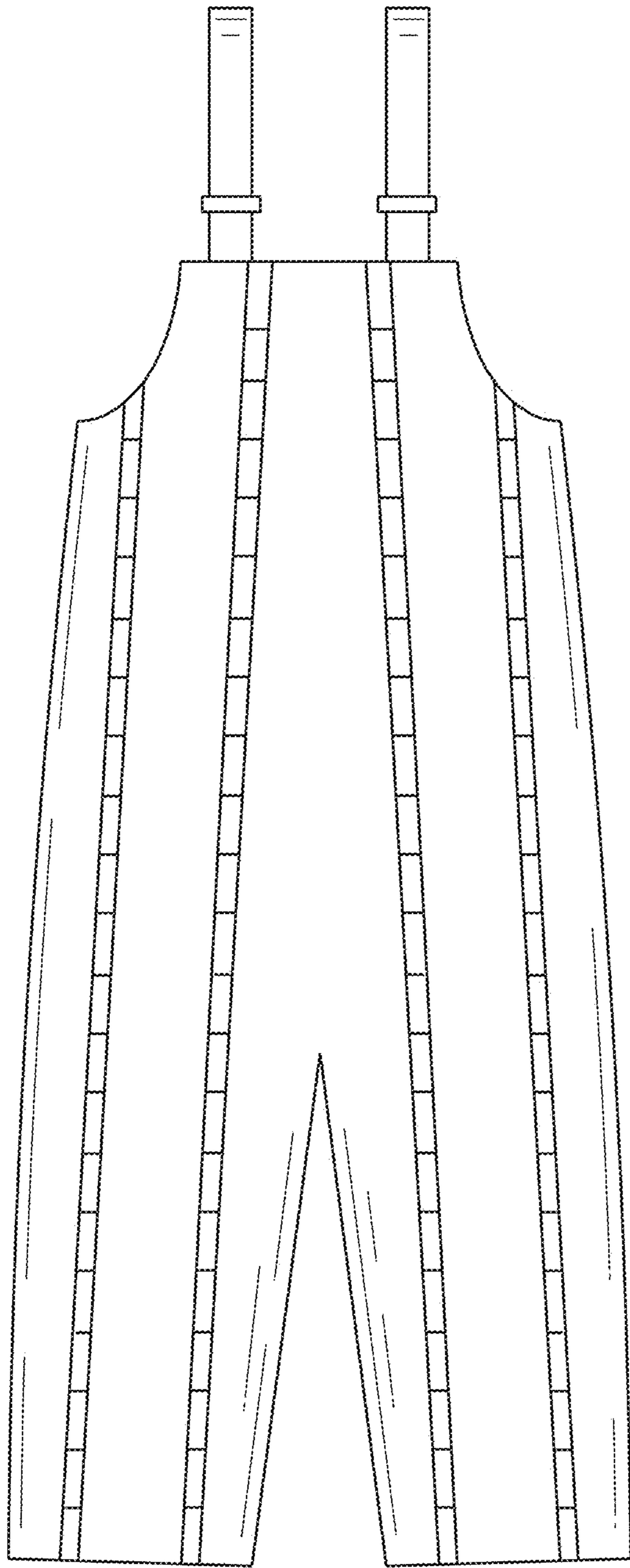


FIG. 2



FIG. 3

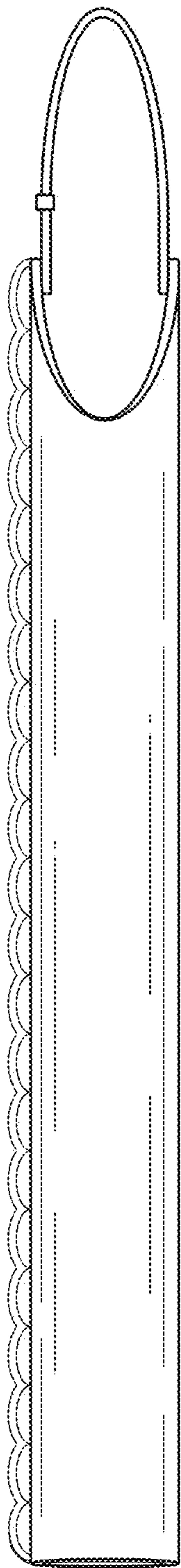


FIG. 4

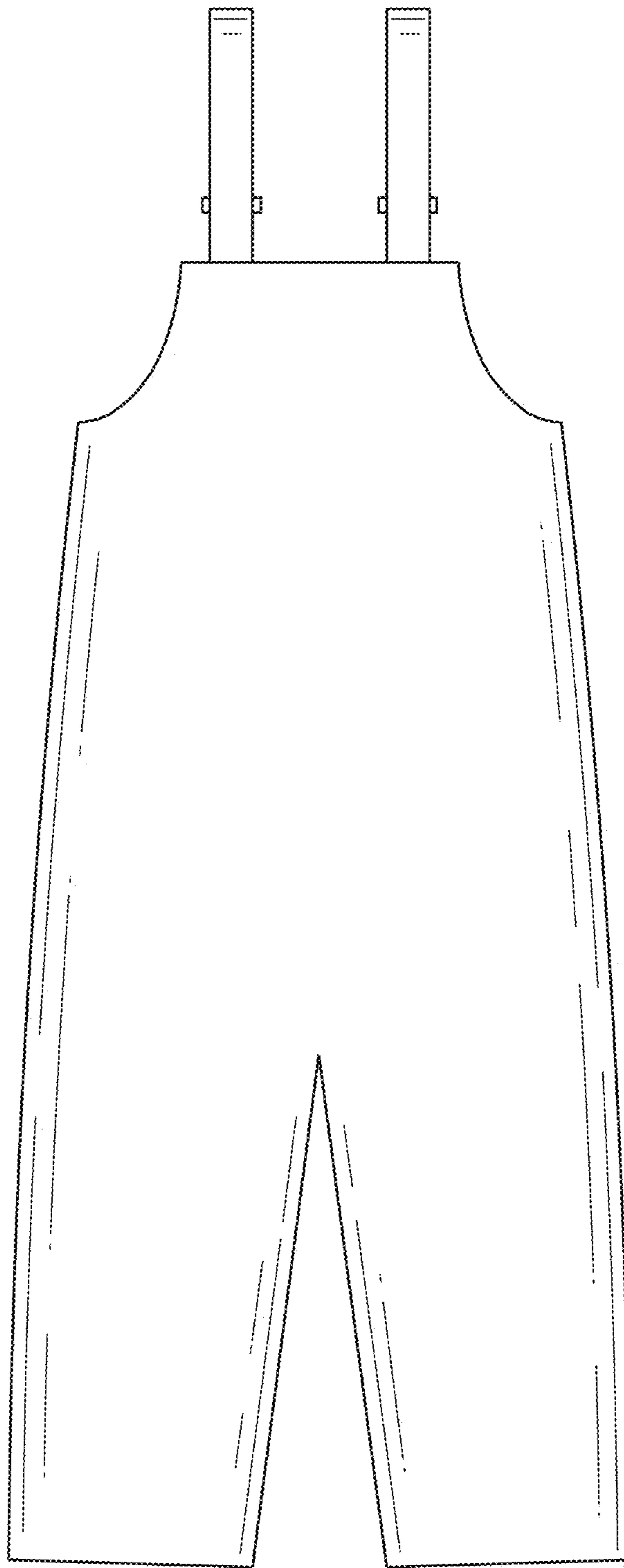


FIG. 5

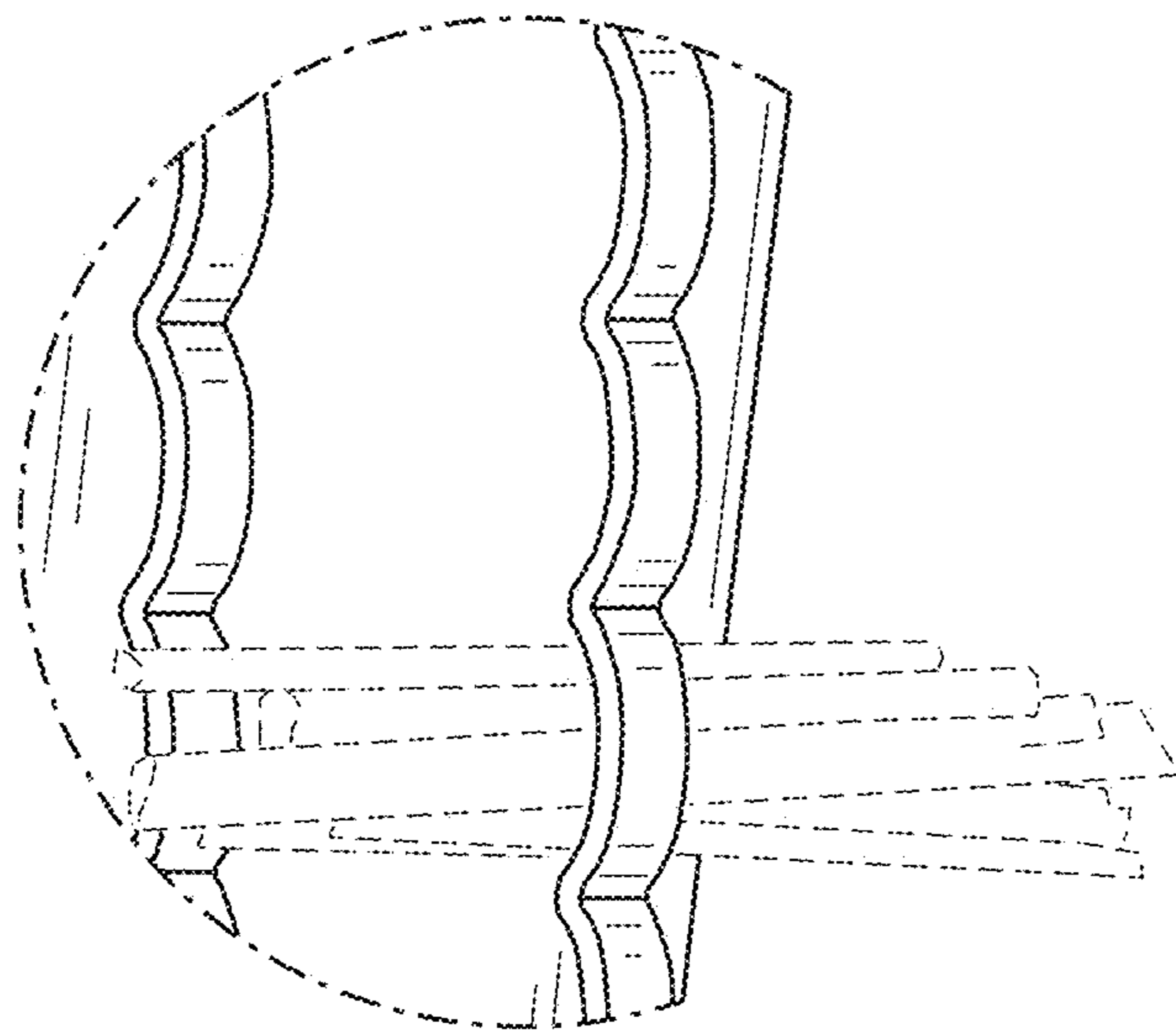


FIG. 6