



US00D878705S

(12) **United States Design Patent**
Camarato

(10) **Patent No.:** **US D878,705 S**

(45) **Date of Patent:** **** Mar. 17, 2020**

- (54) **HELMET PIGGY BANK**
- (71) Applicant: **Charles Camarato**, San Diego, CA
(US)
- (72) Inventor: **Charles Camarato**, San Diego, CA
(US)
- (**) Term: **15 Years**
- (21) Appl. No.: **29/669,093**
- (22) Filed: **Nov. 5, 2018**
- (51) **LOC (12) Cl.** **99-00**
- (52) **U.S. Cl.**
USPC **D99/37**
- (58) **Field of Classification Search**
USPC D99/28, 34, 35, 36, 37, 43, 99; D29/102,
D29/103; D2/865, 866, 867, 868, 869,
D2/870, 878
CPC E05B 65/0075; E05G 1/00; E05G 1/005;
E05G 1/024; E05G 1/026; E05G 5/00;
E05G 2700/00; E05G 2700/02; E07D
11/0006; E07D 11/0009; G07D 9/00;
G07D 9/002; G07D 9/004; G07D 9/008;
G07F 9/06; G07F 17/10; G07F 17/105;
G07F 17/12

See application file for complete search history.

(56) **References Cited**

U.S. PATENT DOCUMENTS

- D27,442 S * 7/1897 Martin D99/37
- D59,733 S * 11/1921 Fisher D99/37
- D209,219 S * 11/1967 Goldstein et al. D99/37
- D356,425 S * 3/1995 August D99/37
- D356,427 S * 3/1995 August D99/37

- D358,016 S * 5/1995 August D99/37
- D379,023 S * 4/1997 August D99/37
- D382,473 S * 8/1997 Egender D7/613
- D382,671 S * 8/1997 Shewchenko D29/102
- D705,492 S * 5/2014 Zhu D29/102
- D745,998 S * 12/2015 Sansalone D29/102
- D748,866 S * 2/2016 Tutor D29/102
- D749,269 S * 2/2016 Tutor D29/102
- D800,390 S * 10/2017 Xiong D29/102
- D809,713 S * 2/2018 Ciaravino D29/102
- D822,905 S * 7/2018 Thorsell D29/102
- D855,279 S * 7/2019 Camarato D99/37
- 2010/0024097 A1* 2/2010 Saenim A42B 3/003
2/411
- 2013/0180035 A1* 7/2013 Lowther A42B 1/24
2/422

* cited by examiner

Primary Examiner — Elizabeth J Oswecki
(74) *Attorney, Agent, or Firm* — The Law Office of
Herbert T. Patty

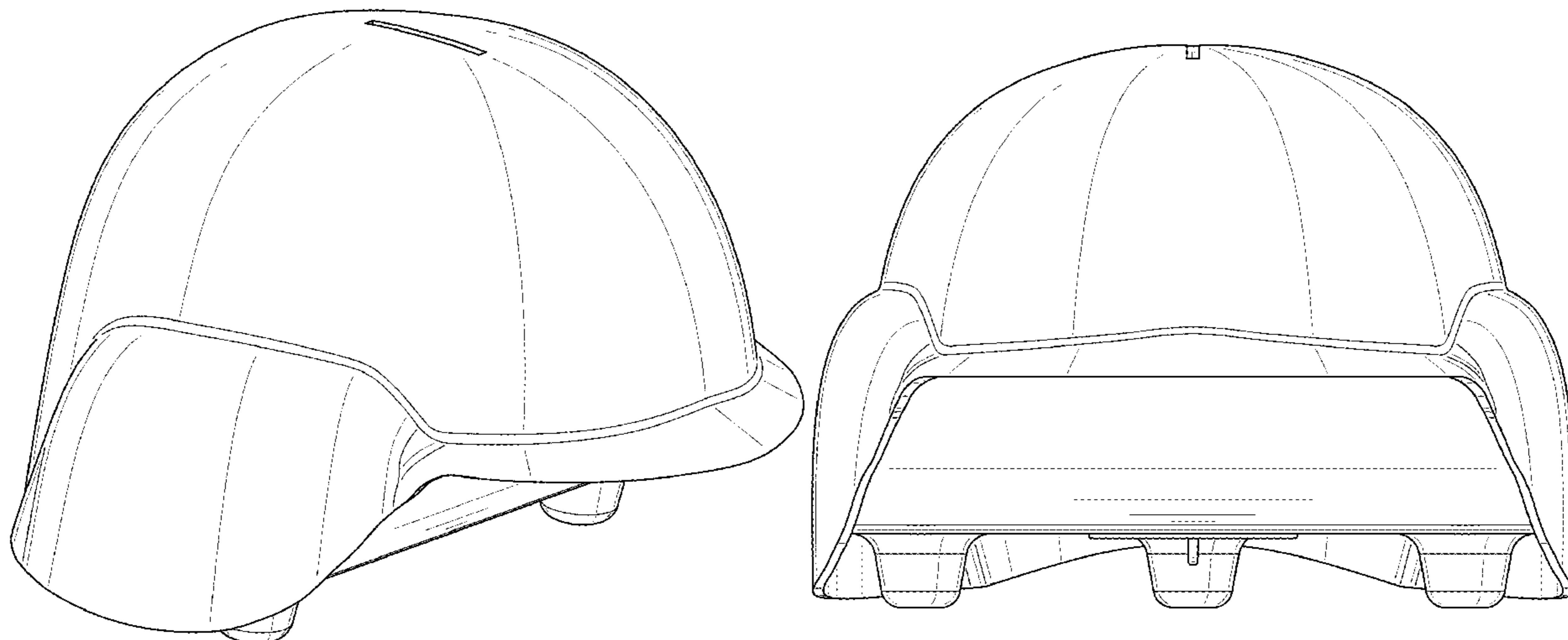
(57) **CLAIM**

The ornamental design for a helmet piggy bank, as shown
and described.

DESCRIPTION

FIG. 1 is a perspective view of a helmet piggy bank showing
my new design;
FIG. 2 is a front view thereof;
FIG. 3 is a back view thereof;
FIG. 4 is a right side view thereof;
FIG. 5 is a left side view thereof;
FIG. 6 is a top view thereof; and,
FIG. 7 is a bottom view thereof.

1 Claim, 7 Drawing Sheets



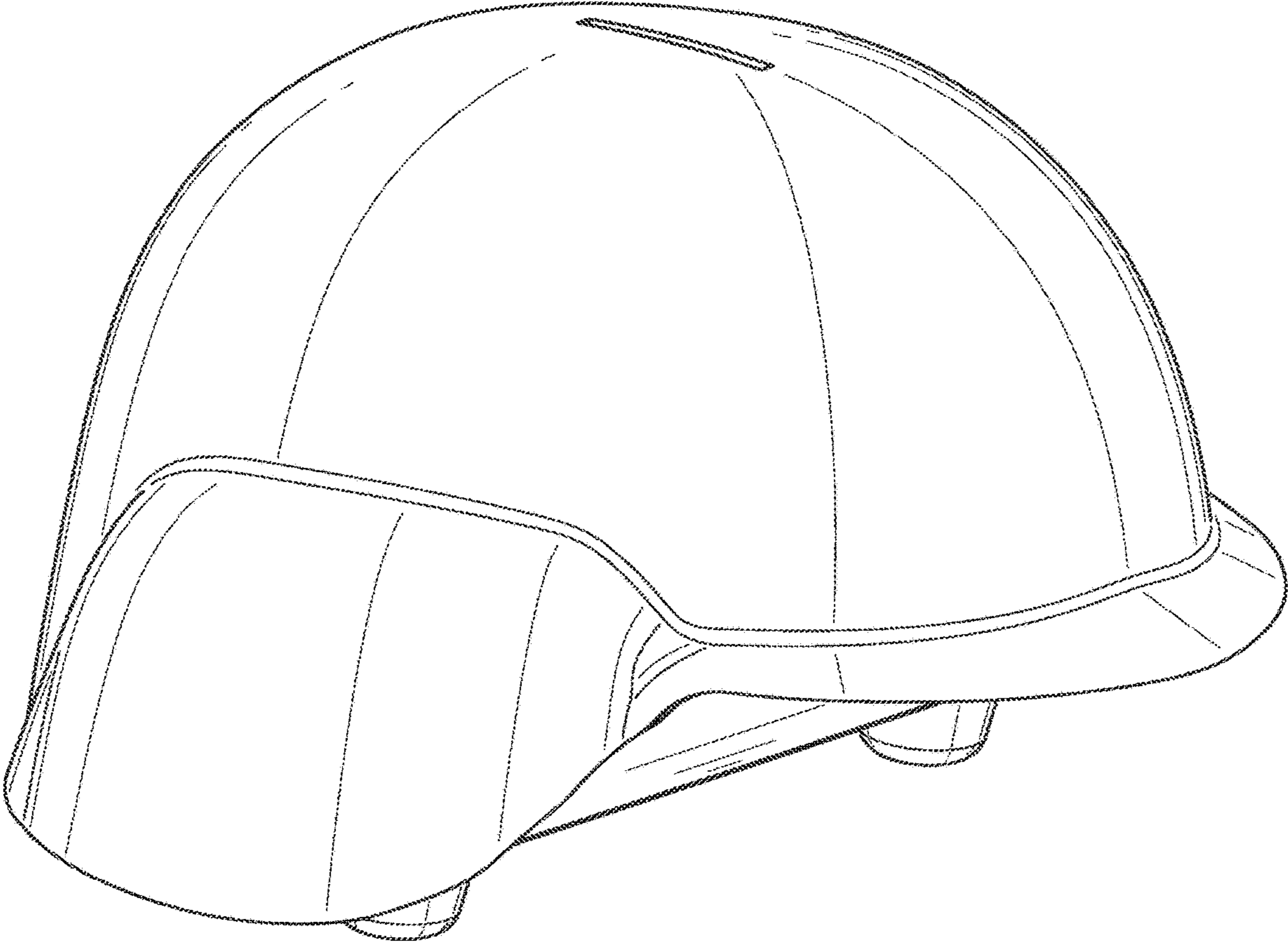


FIG. 1

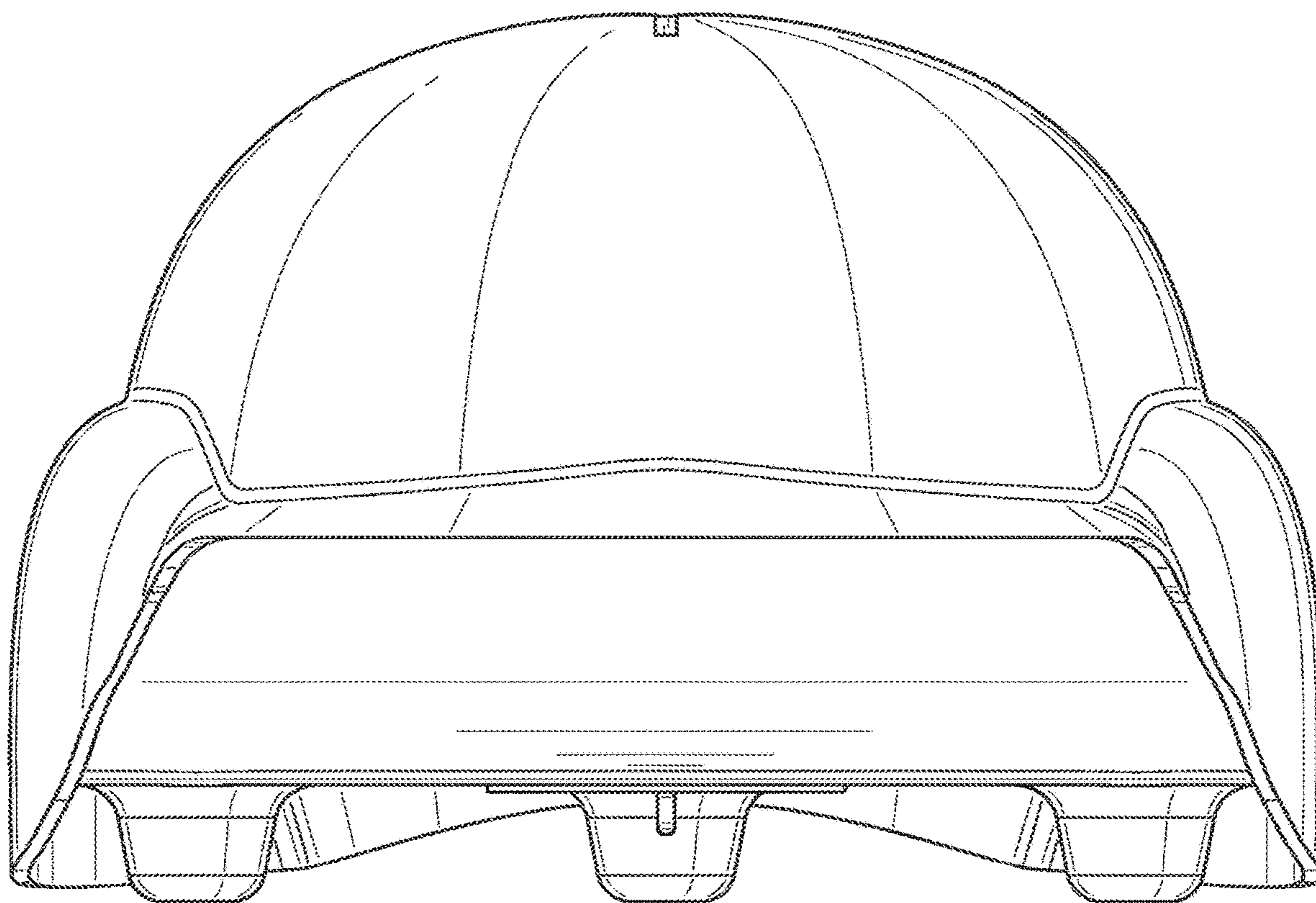


FIG. 2

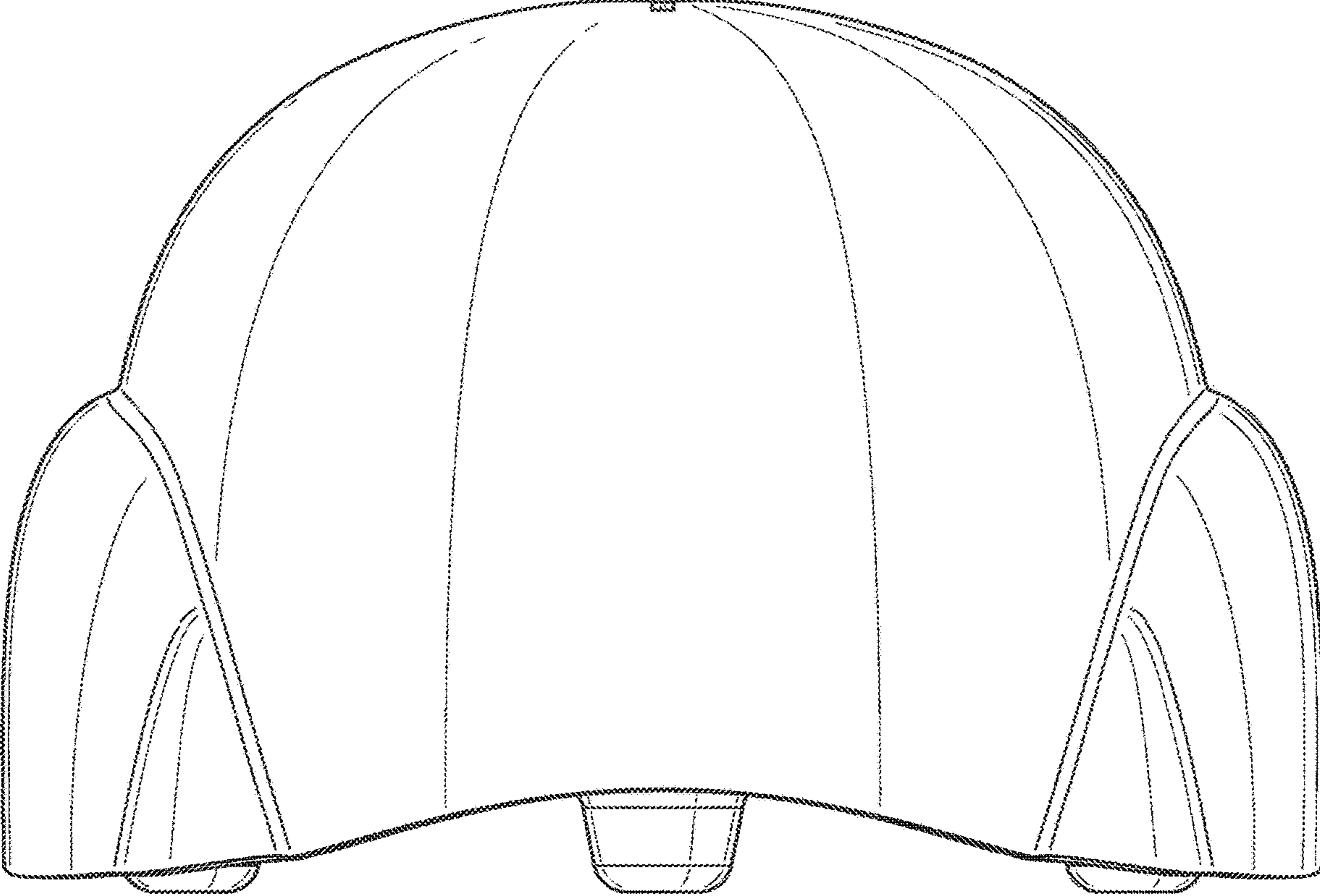


FIG. 3

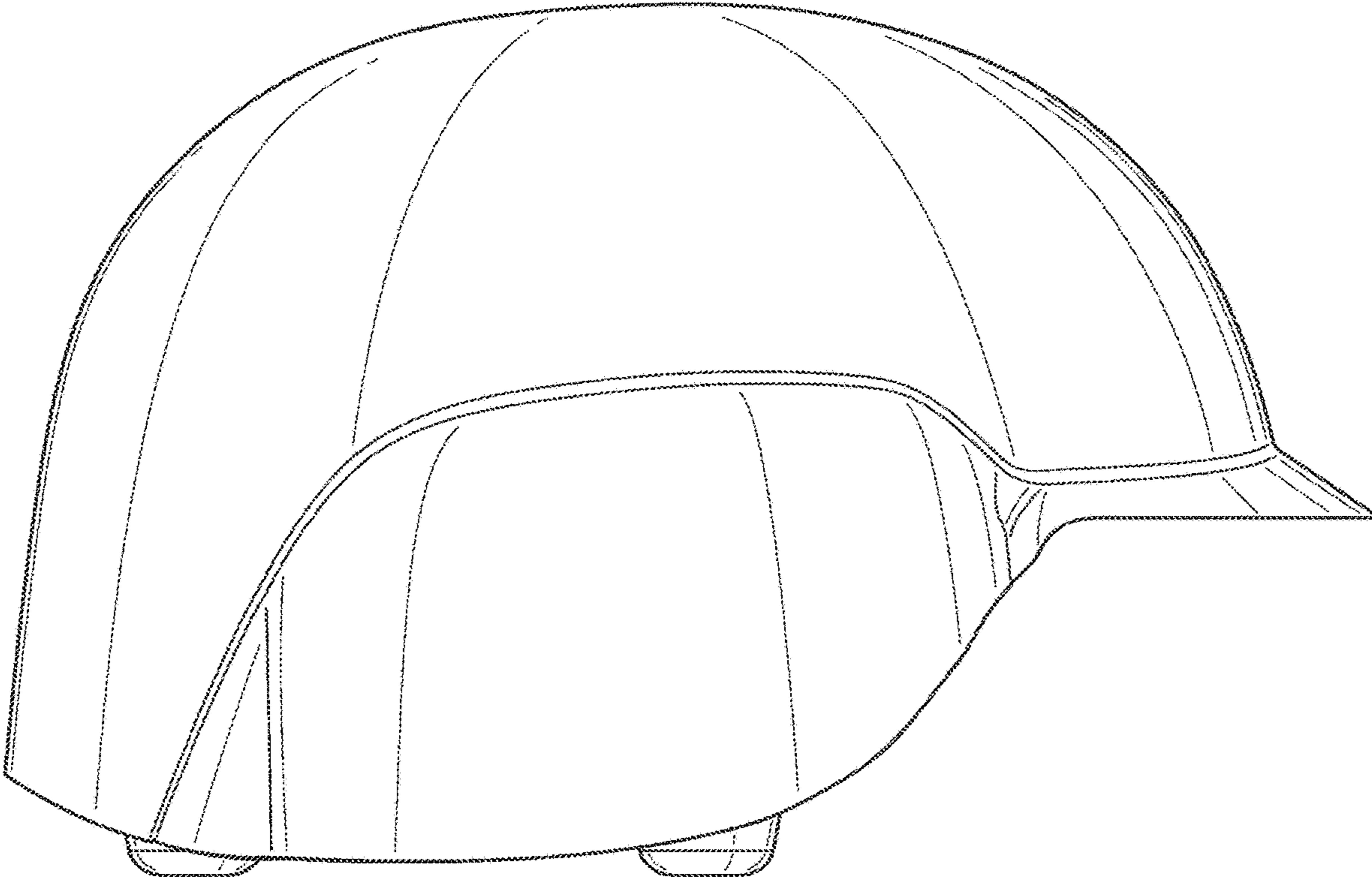


FIG. 4

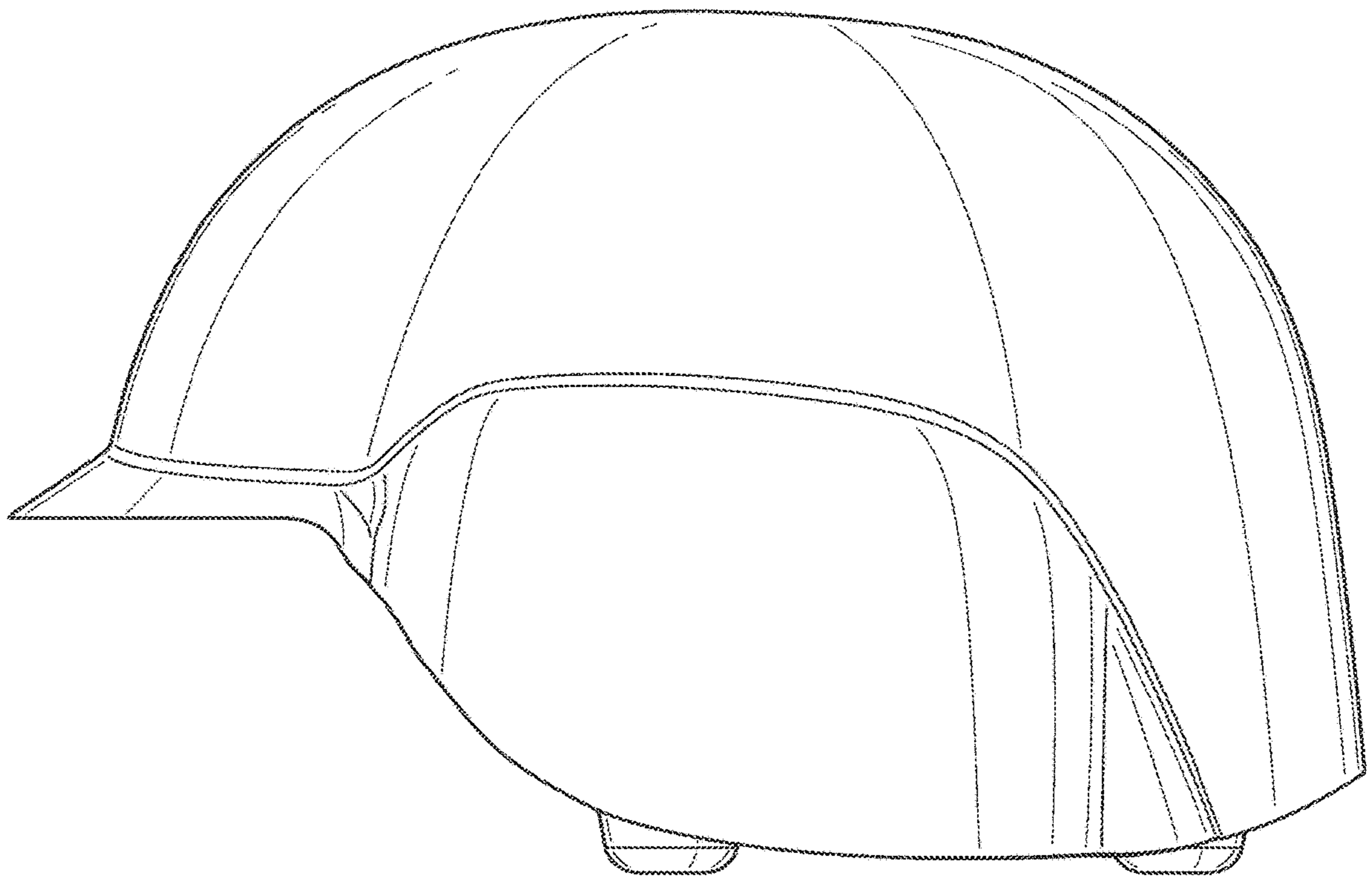


FIG. 5

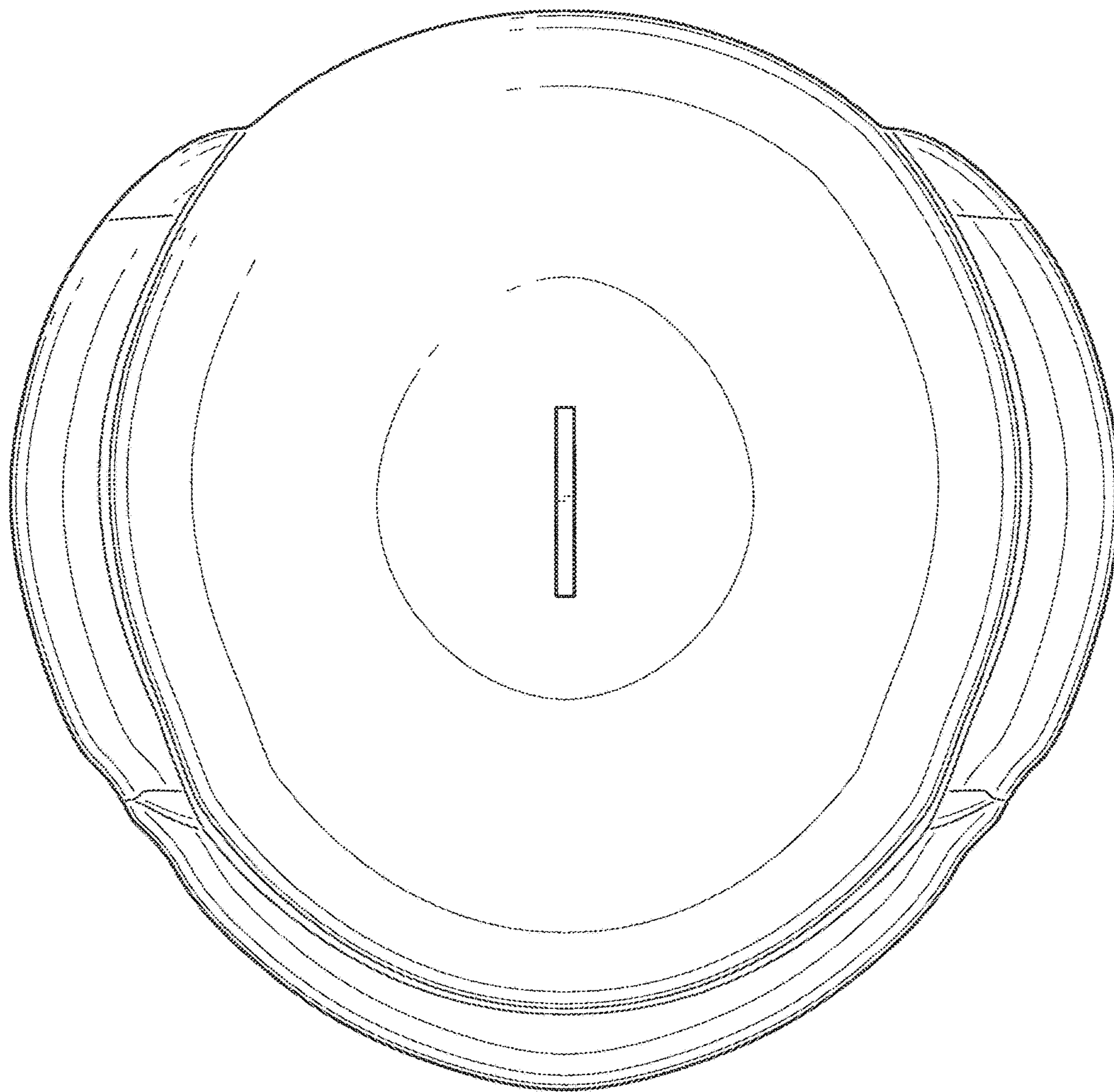


FIG. 6

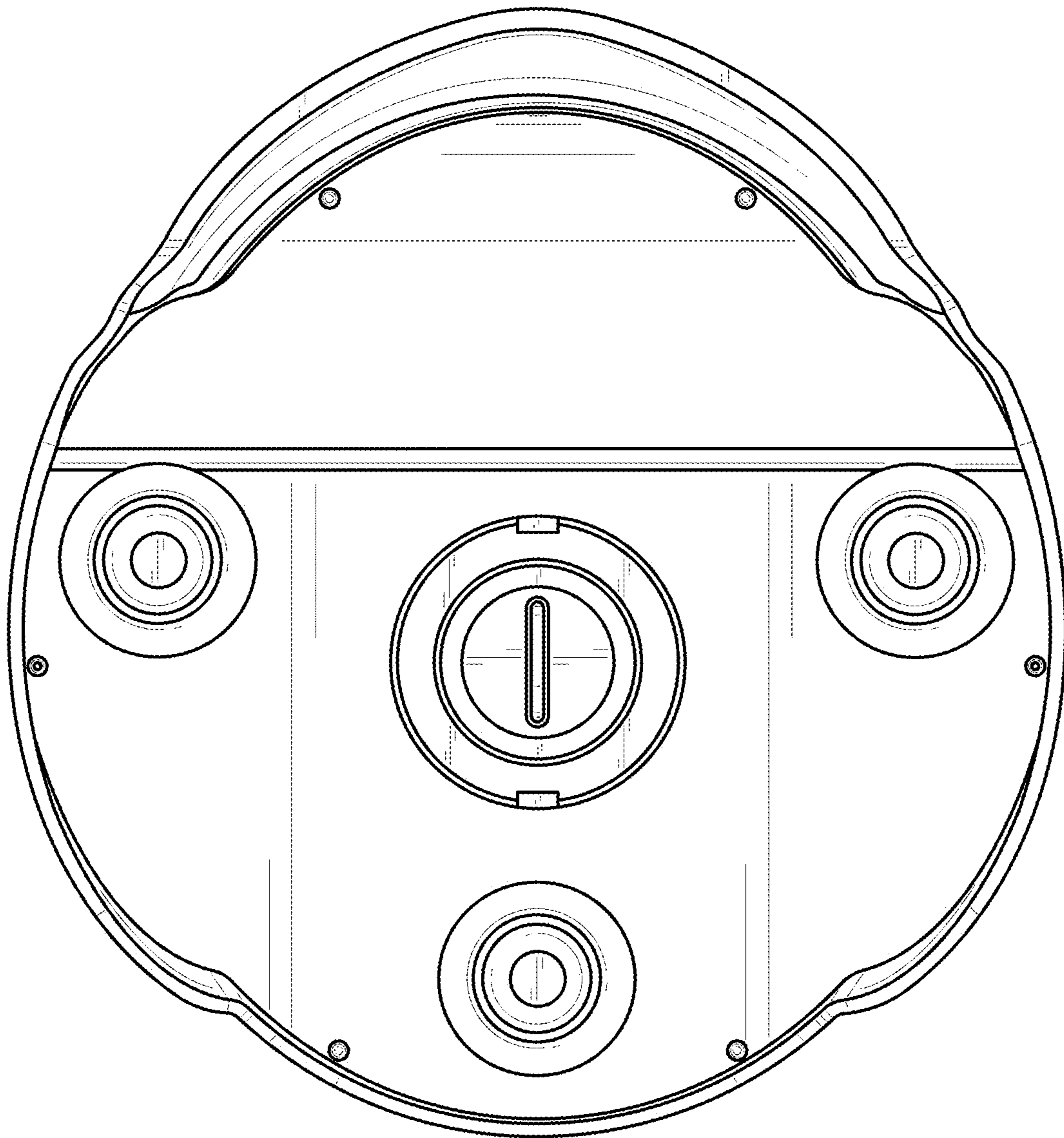


FIG. 7