



US00D878703S

(12) **United States Design Patent** (10) **Patent No.:** **US D878,703 S**  
**Valdés Abramo et al.** (45) **Date of Patent:** **\*\* Mar. 17, 2020**

(54) **PALLET**

(71) Applicant: **PLÁSTICOS TÉCNICOS MEXICANOS, S.A. DE C.V.**, San Juan del Río, Querétaro (MX)

(72) Inventors: **Juan Pablo Valdés Abramo**, Queretaro (MX); **Andrés Álvarez Vargas**, Queretaro (MX); **Adrián Andrade Ontiveros**, Queretaro (MX); **Martha Valeria Avila Hernández**, Queretaro (MX); **Felicitaz Elizabeth Ávila Ramírez**, Queretaro (MX); **Juan Pedro Baca Sánchez**, Queretaro (MX); **Nallely Balbino Tovar**, Queretaro (MX); **Ciro Feregrino Montes**, Queretaro (MX); **Alejandro Gómez Caudillo**, Queretaro (MX); **Luis Joaquín Martínez Layseca**, Queretaro (MX); **José Ricardo Peña Zapata**, Queretaro (MX); **Claudia Estefanía Pineda Hernández**, Queretaro (MX); **Juan Ruíz Estrella**, Queretaro (MX); **Daniel Servín Frías**, Queretaro (MX); **Karen Irais Vargas Montiel**, Queretaro (MX); **José Alberto Vázquez Ramírez**, Queretaro (MX)

(73) Assignee: **PLÁSTICOS TÉCNICOS MEXICANOS, S.A. DE C.V.**, San Juan del Río, Querétaro (MX)

(\*\*) Term: **15 Years**

(21) Appl. No.: **29/628,579**

(22) Filed: **Dec. 6, 2017**

(51) **LOC (12) Cl.** ..... **09-08**

(52) **U.S. Cl.**  
USPC ..... **D34/34**

(58) **Field of Classification Search**  
USPC ..... **D34/38**

(Continued)

(56) **References Cited**

U.S. PATENT DOCUMENTS

3,667,403 A \* 6/1972 Angelbeck, Jr. ... B65D 19/0012  
108/57.26

D232,019 S \* 7/1974 Rehrig ..... D34/38  
(Continued)

*Primary Examiner* — Cynthia Ramirez

(74) *Attorney, Agent, or Firm* — Womble Bond Dickinson (US) LLP

(57) **CLAIM**

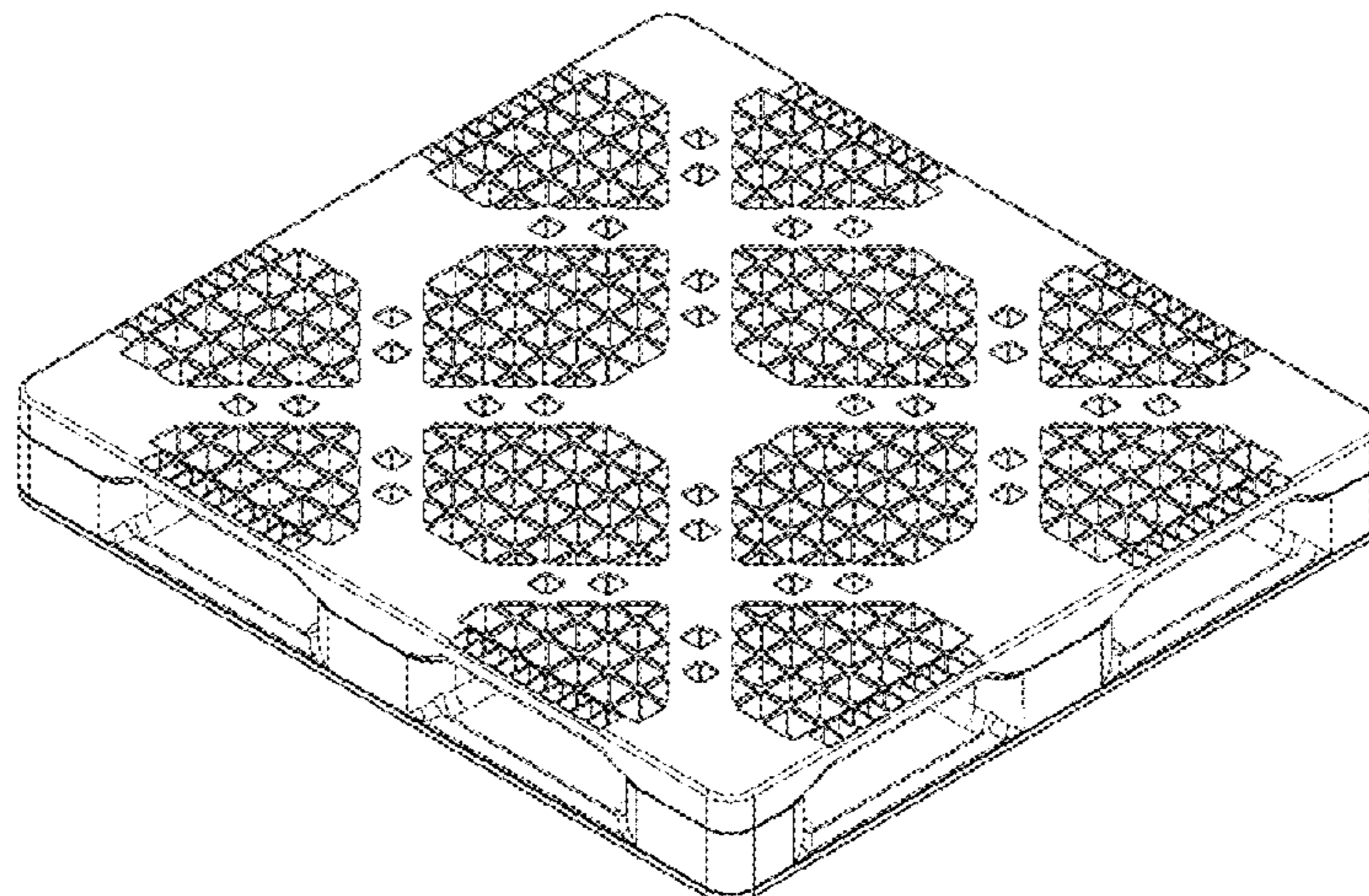
The ornamental design of a pallet, as shown and described.

**DESCRIPTION**

FIG. 1 is a top perspective view of a pallet showing our new design;  
 FIG. 2 is a bottom perspective view thereof;  
 FIG. 3 is a top view thereof;  
 FIG. 4 is a bottom view thereof;  
 FIG. 5 is a front view, the rear being the same thereof;  
 FIG. 6 is a right side view, the left side being the same thereof;  
 FIG. 7 is a bottom view of the upper cover of the pallet;  
 FIG. 8 is a top perspective view thereof;  
 FIG. 9 is a bottom perspective thereof;  
 FIG. 10 is a front view, the rear being the same thereof;  
 FIG. 11 is a right side, the left being the same thereof;  
 FIG. 12 is a top view of the base of the pallet;  
 FIG. 13 is a bottom view thereof;  
 FIG. 14 is a bottom perspective view thereof;  
 FIG. 15 is a top perspective view thereof;  
 FIG. 16 is a front view, the rear being the same thereof;  
 FIG. 17 is a right side view, the left being the same thereof;  
 FIG. 18 is a top view of the lower cover of the pallet;  
 FIG. 19 is a bottom view thereof;  
 FIG. 20 is a bottom perspective view thereof;  
 FIG. 21 is a top perspective view thereof;  
 FIG. 22 is a front view, the rear view being identical; and,  
 FIG. 23 is a right side view, the left side view thereof being the same.

The different elements of the pallet have been shown separately in FIGS. 7 through 23 for convenience of illustration.

**1 Claim, 10 Drawing Sheets**



(58) **Field of Classification Search**

CPC ..... B65D 19/02; B65D 19/00; B65D 19/38;  
B65D 19/06; B65D 19/12

See application file for complete search history.

(56) **References Cited**

U.S. PATENT DOCUMENTS

D403,830	S	*	1/1999	Apps	.....	D34/38
D410,786	S	*	6/1999	Favaron	.....	D34/38
D443,969	S	*	6/2001	Apps	.....	D34/38
D464,186	S	*	10/2002	Medoff	.....	D34/38
D472,360	S	*	3/2003	Medoff	.....	D34/38
D485,659	S	*	1/2004	Medoff	.....	D34/38
D544,175	S	*	6/2007	Valentinsson	.....	D34/38
D633,273	S	*	2/2011	Kellerer	.....	D34/38
D655,475	S	*	3/2012	Lin	.....	D34/38
D673,754	S	*	1/2013	MacDonald	.....	D34/38
D704,915	S	*	5/2014	Reyhan	.....	D34/38
D708,811	S	*	7/2014	Kelly	.....	D34/38
D724,809	S	*	3/2015	Howland	.....	D34/38
D798,024	S	*	9/2017	Poran	.....	D34/38
D816,287	S	*	4/2018	Hunt, III	.....	D34/38
D816,288	S	*	4/2018	Hunt, III	.....	D34/38
D822,308	S	*	7/2018	Hunt, III	.....	D34/38
D822,309	S	*	7/2018	Hunt, III	.....	D34/38
2002/0134284	A1	*	9/2002	Apps	.....	B29C 65/02 108/57.25
2005/0145144	A1	*	7/2005	Gab	.....	B65D 19/38 108/55.3

\* cited by examiner



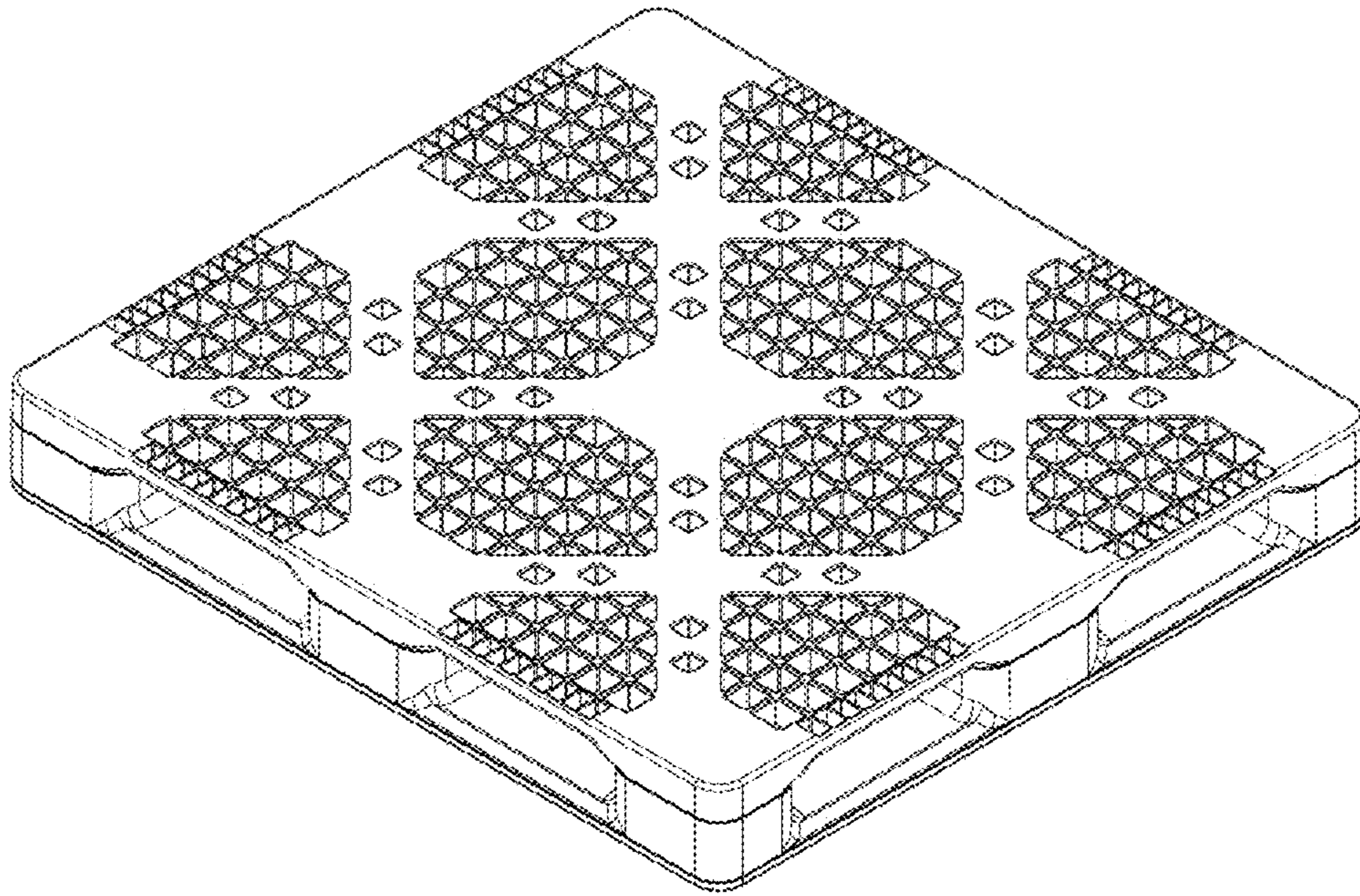


FIG. 1

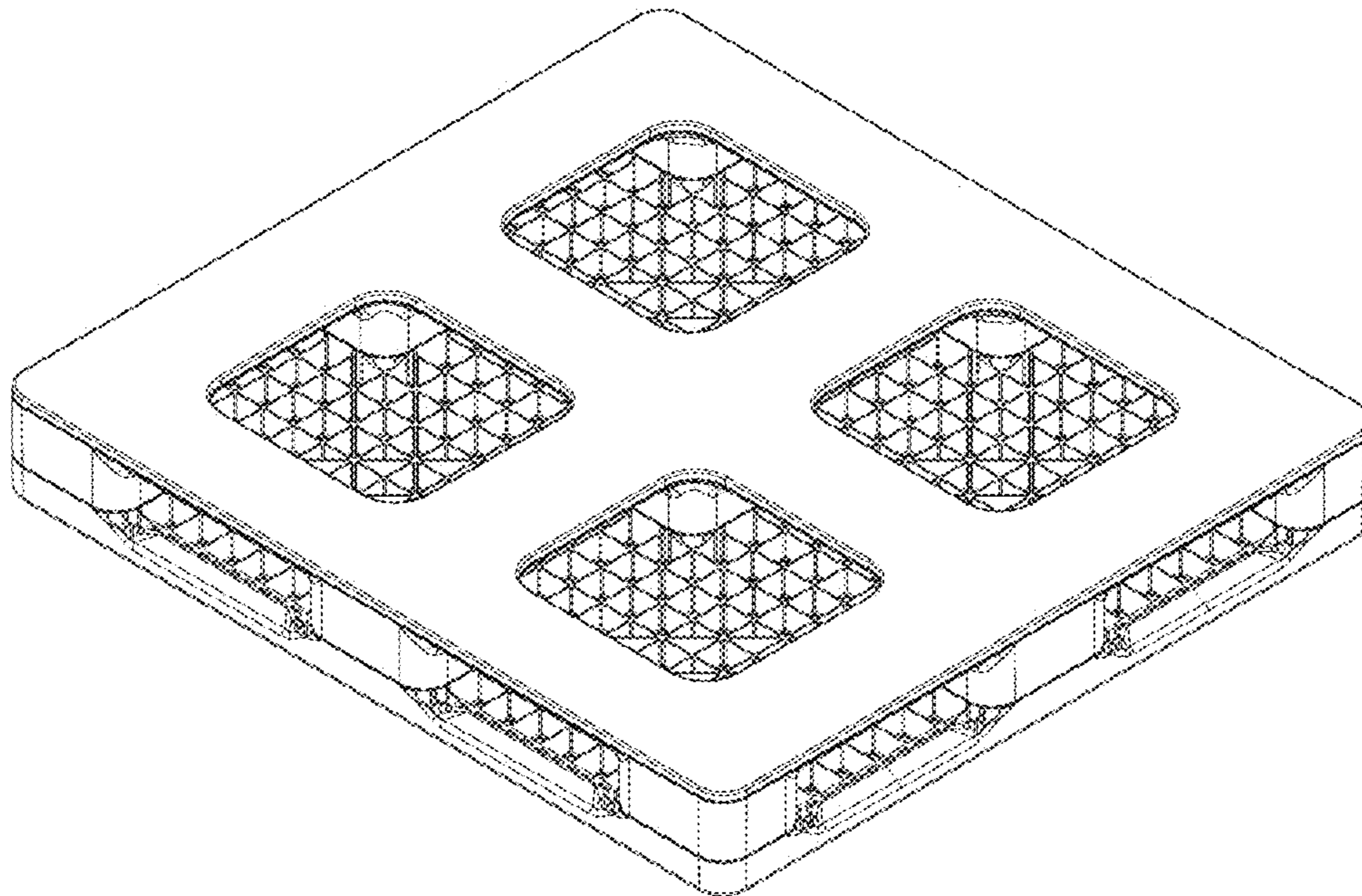


FIG. 2



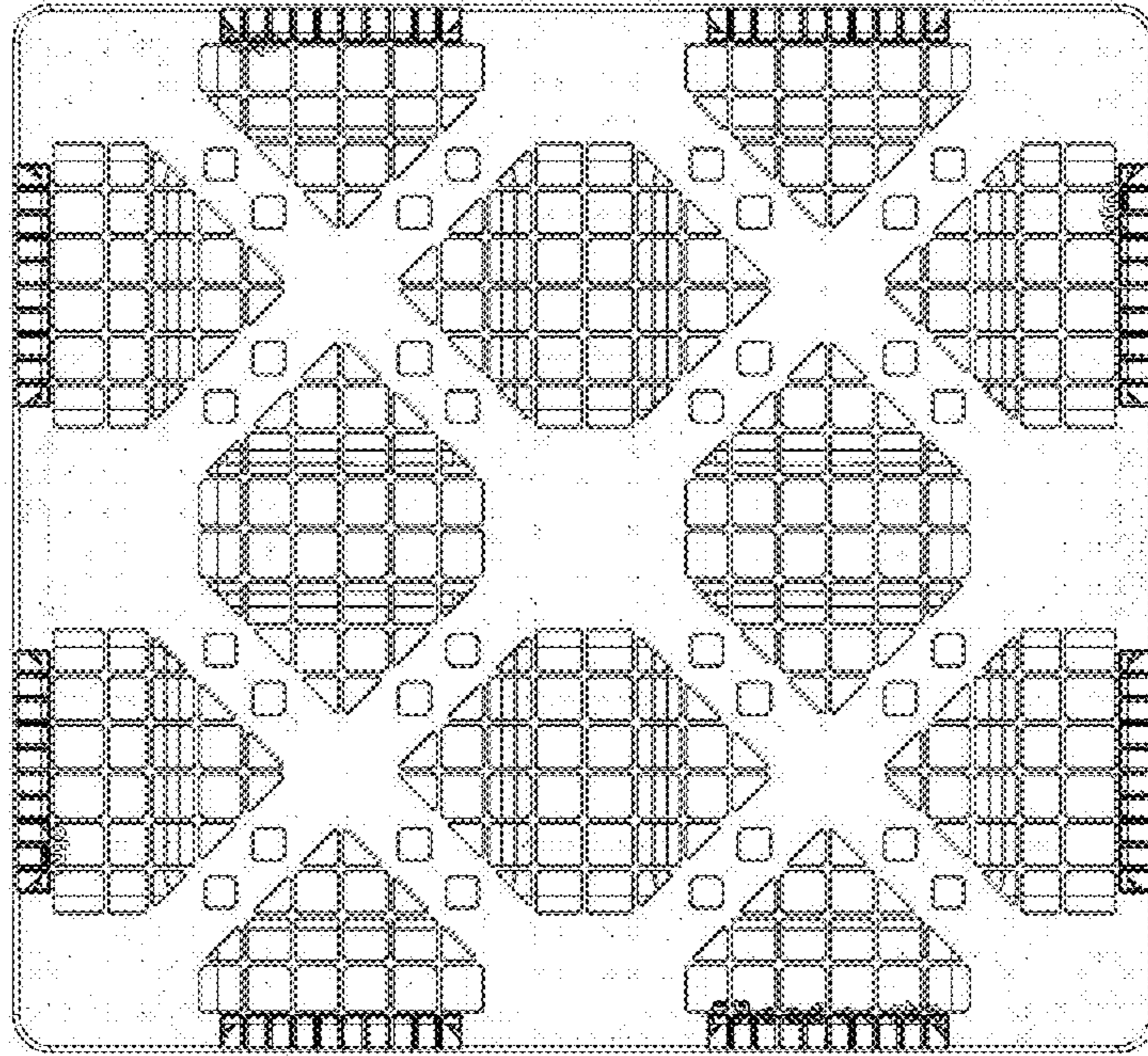


FIG. 3

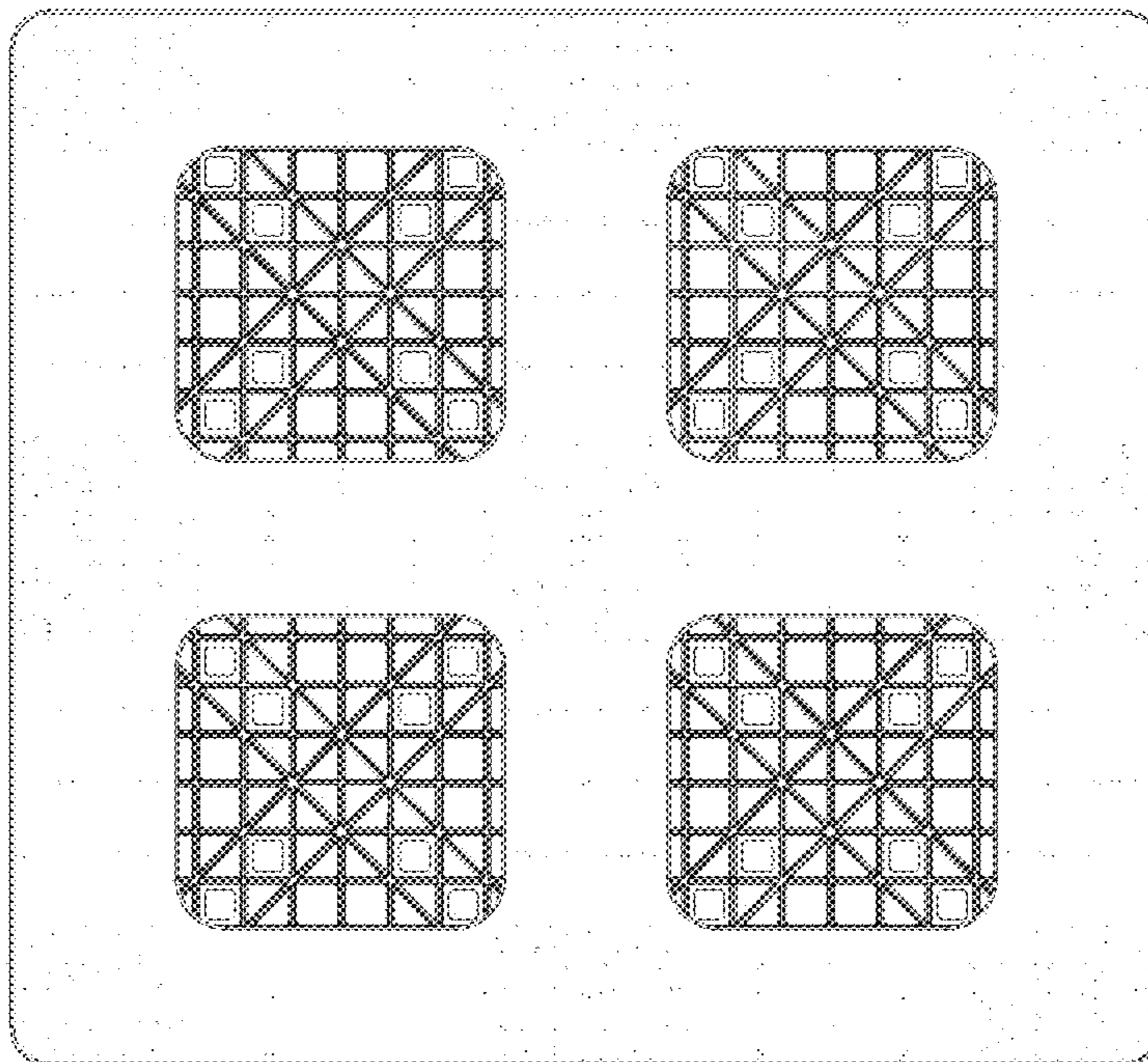


FIG. 4

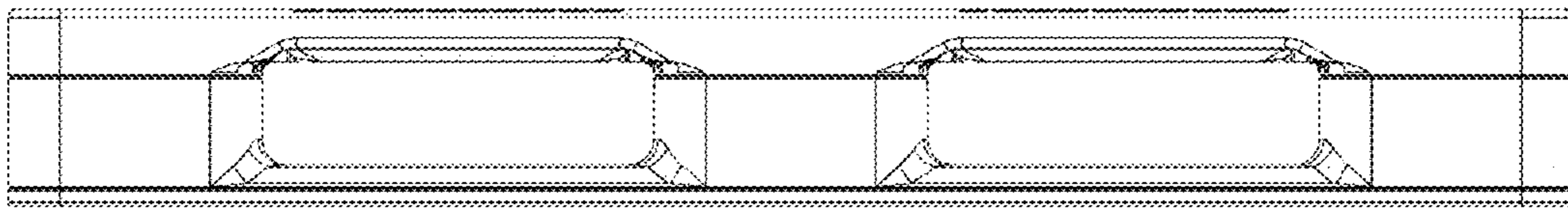


FIG. 5

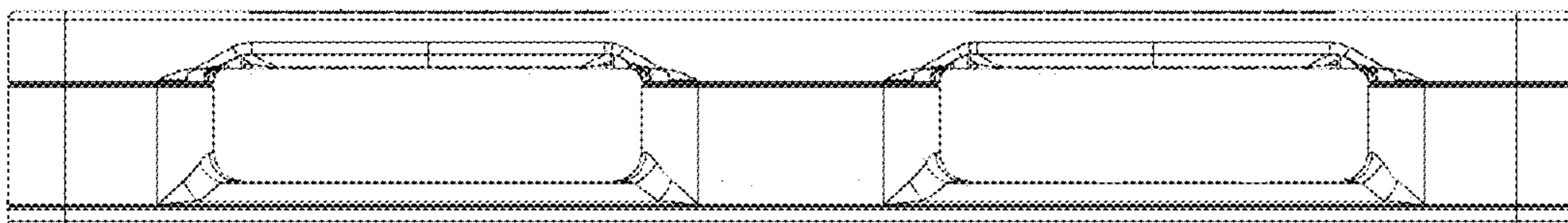


FIG. 6



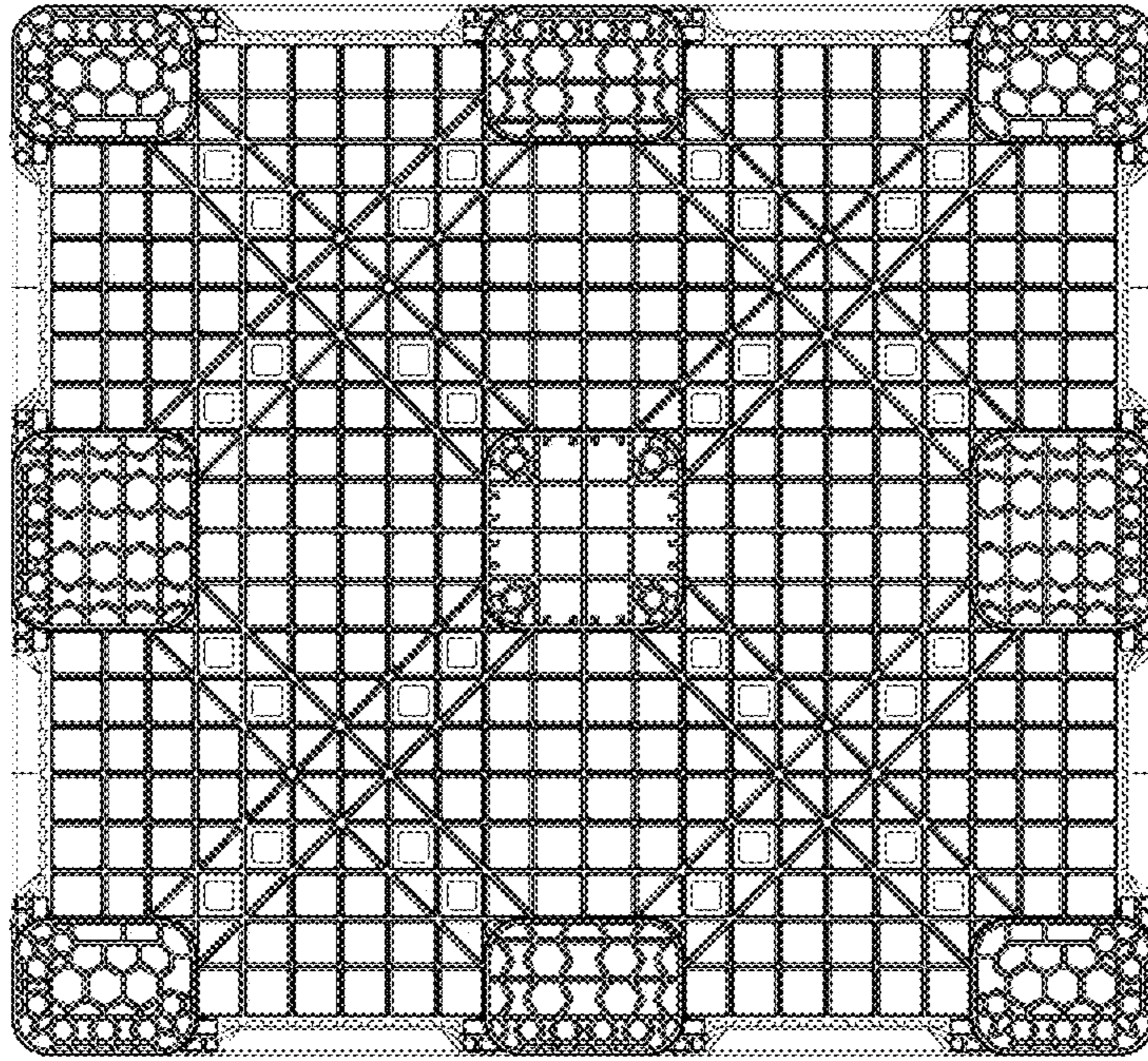


FIG. 7

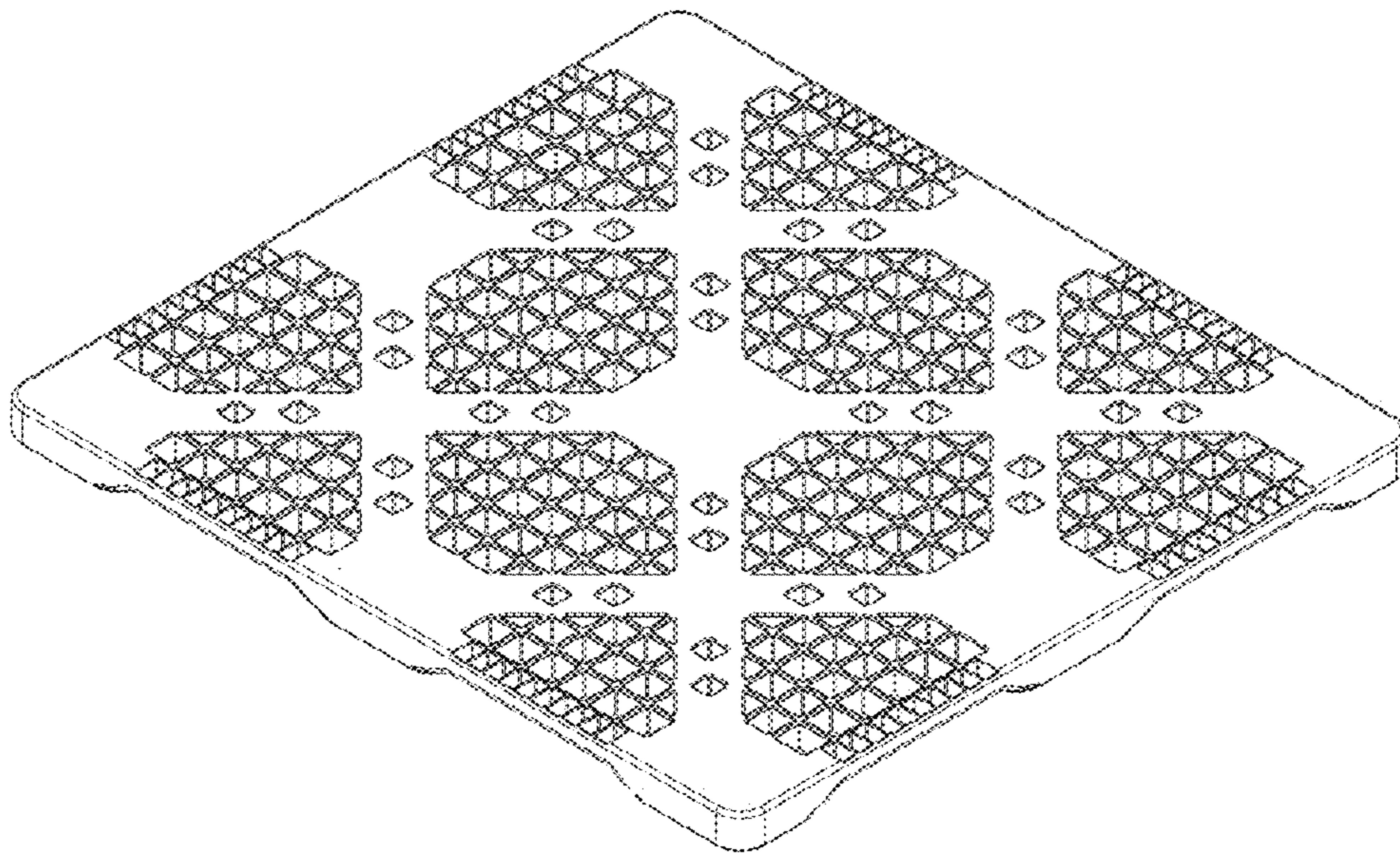


FIG. 8



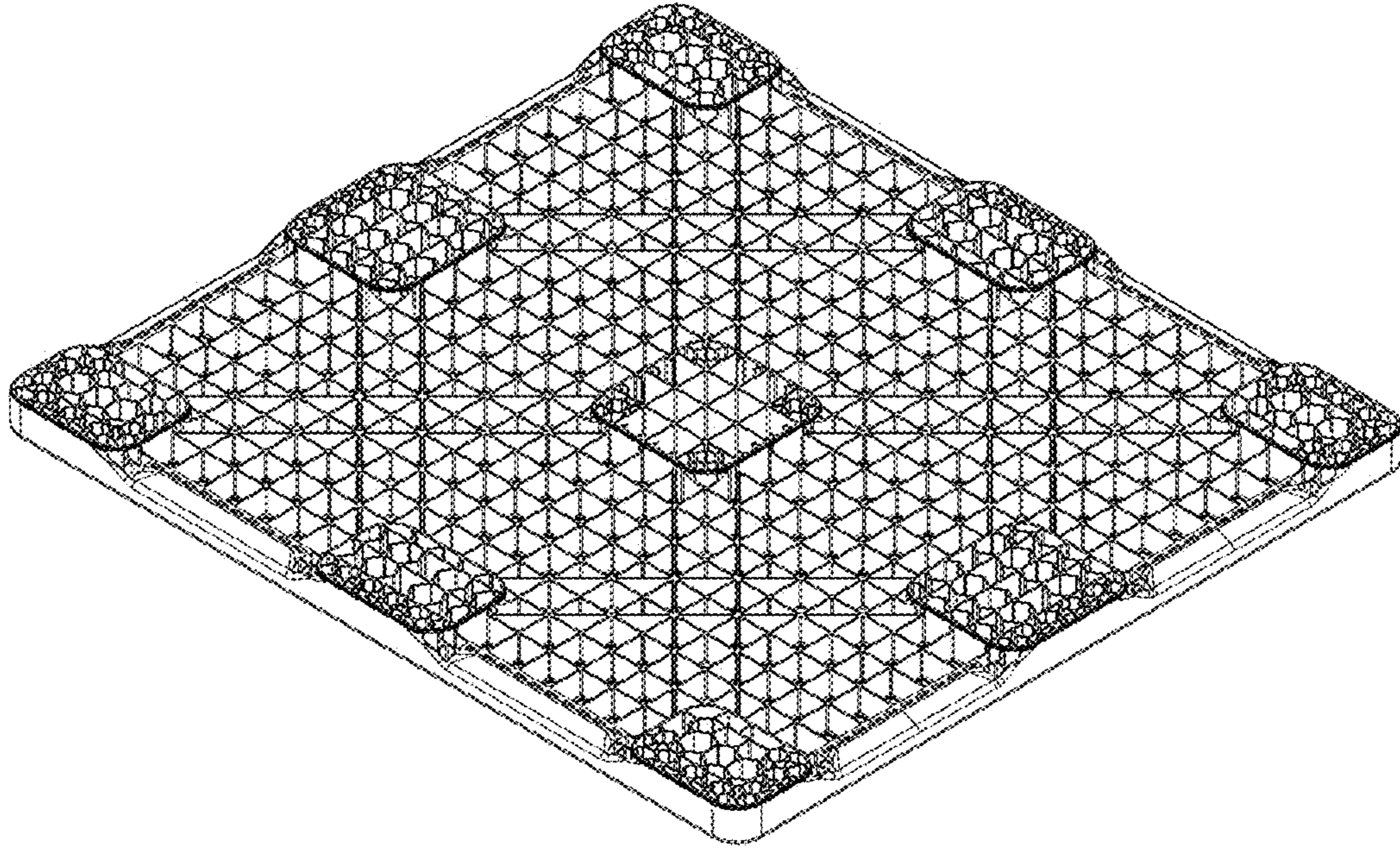


FIG. 9

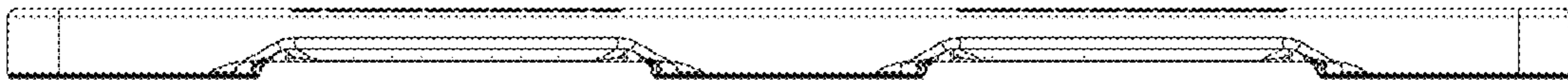


FIG. 10



FIG. 11



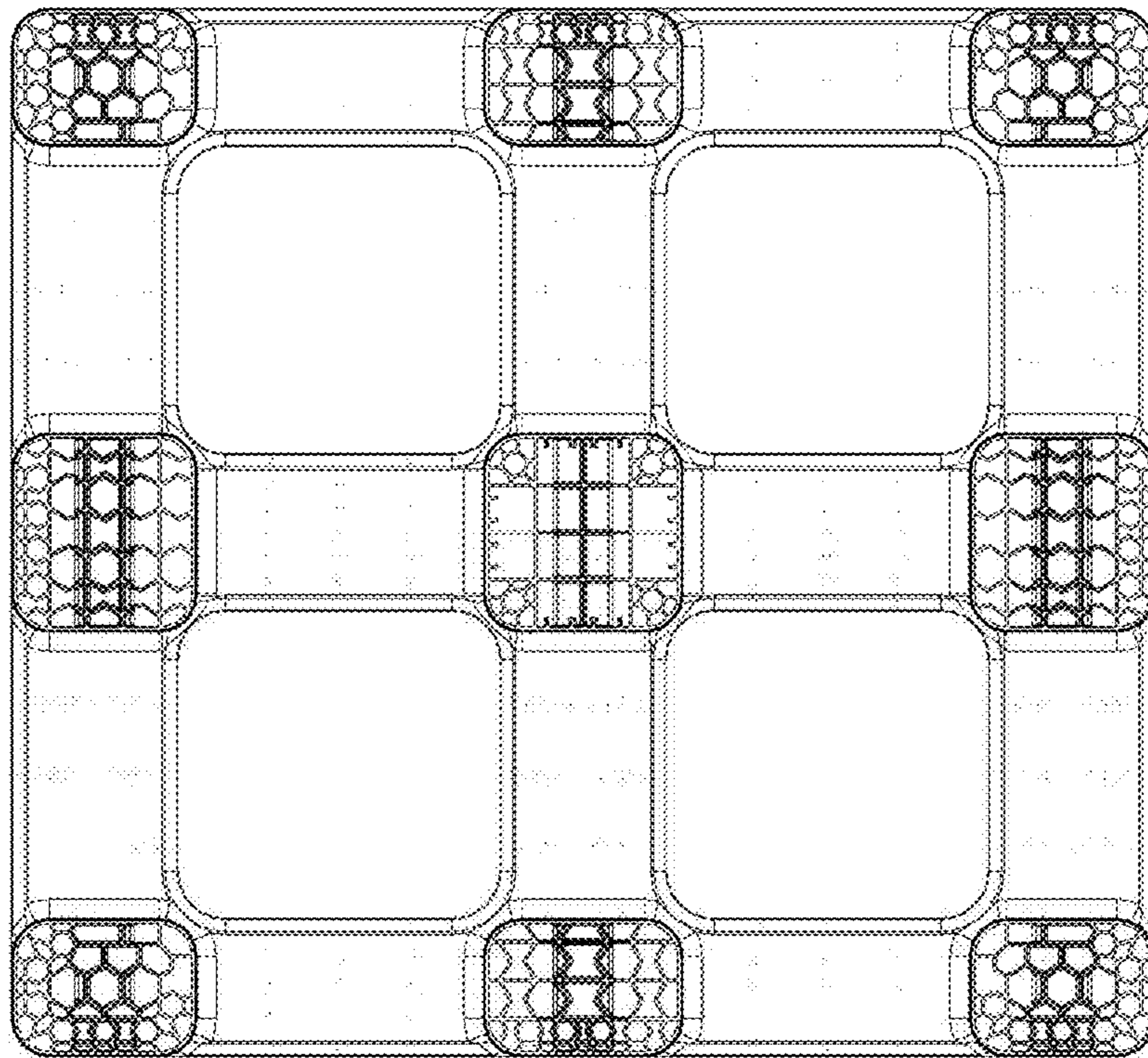


FIG. 12

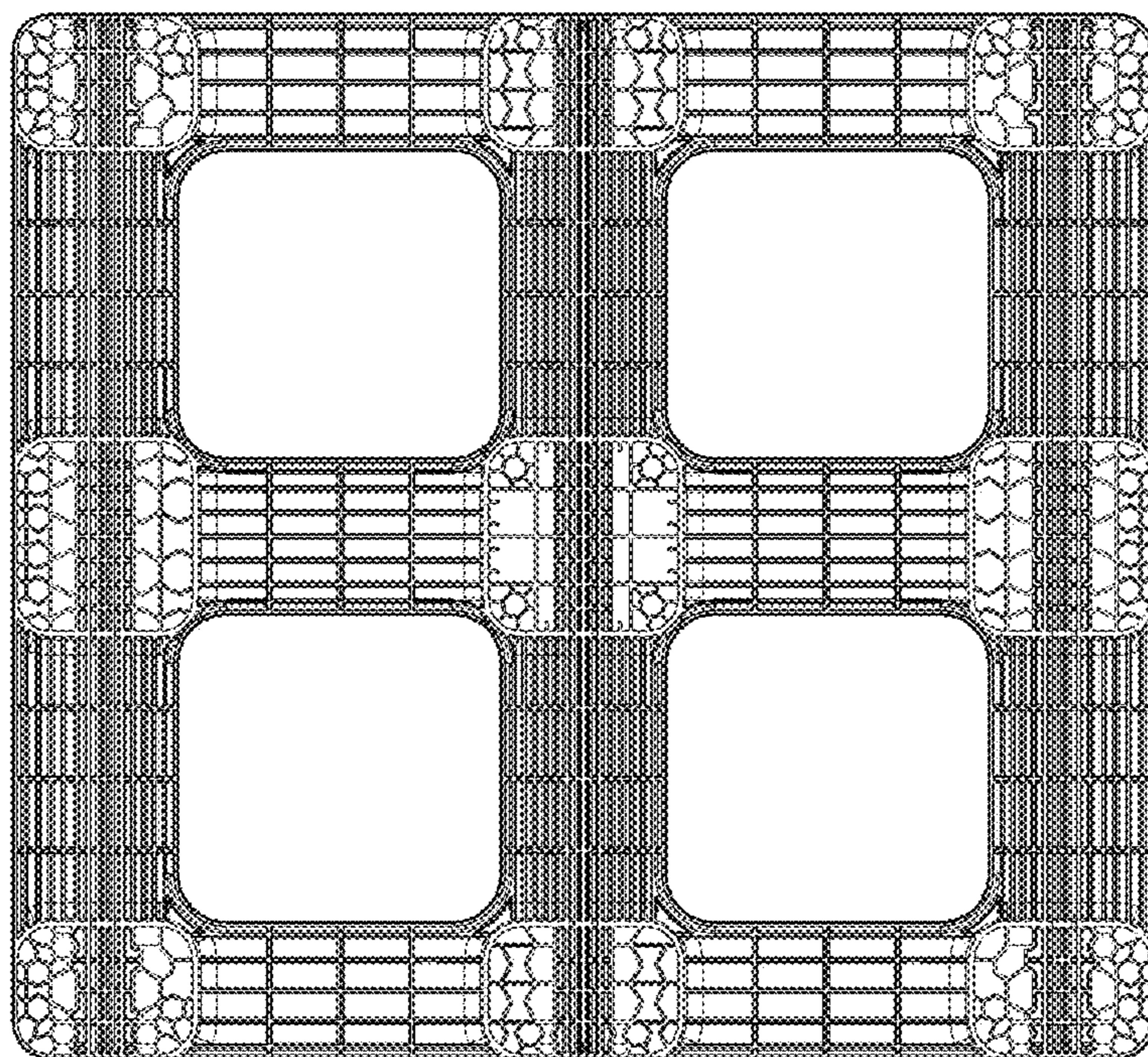


FIG. 13



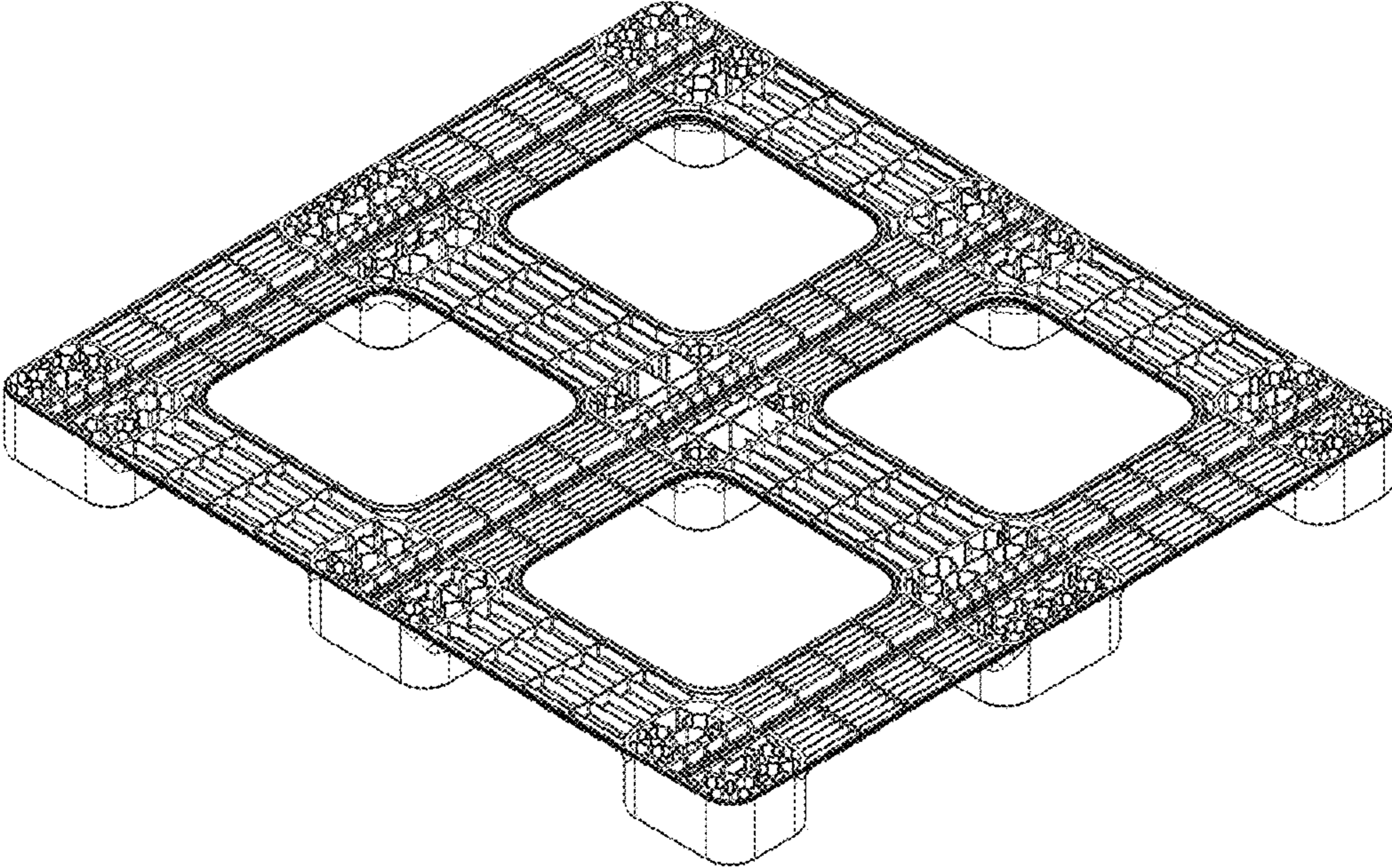


FIG. 14

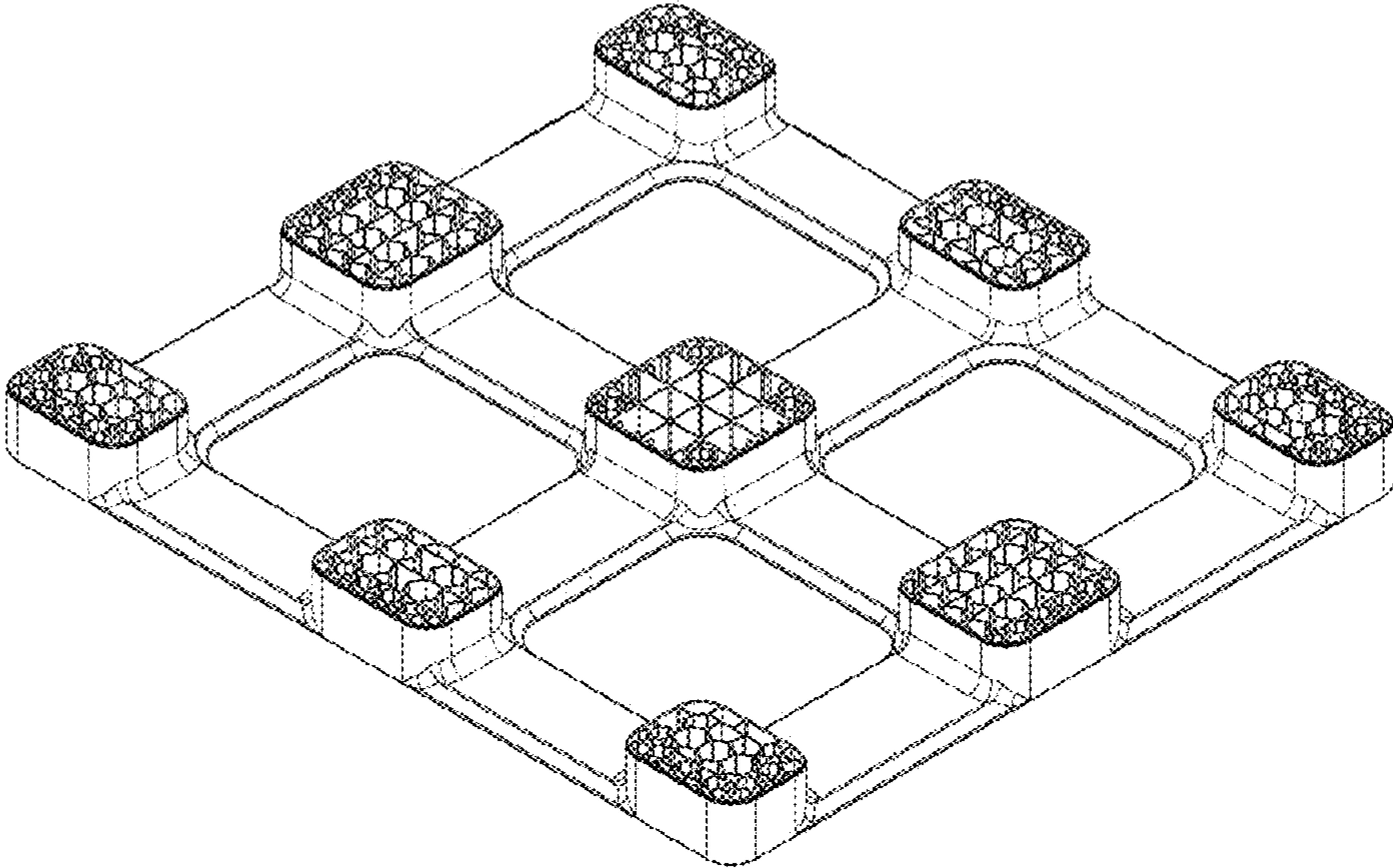


FIG. 15





FIG. 16

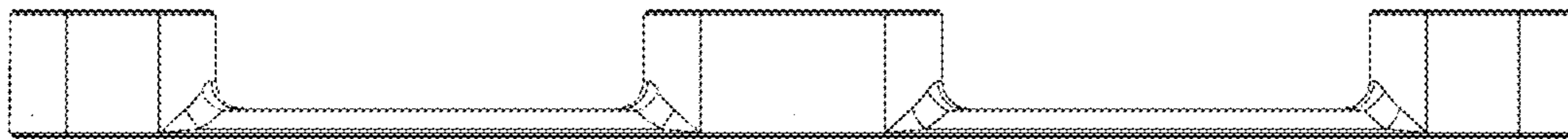


FIG. 17

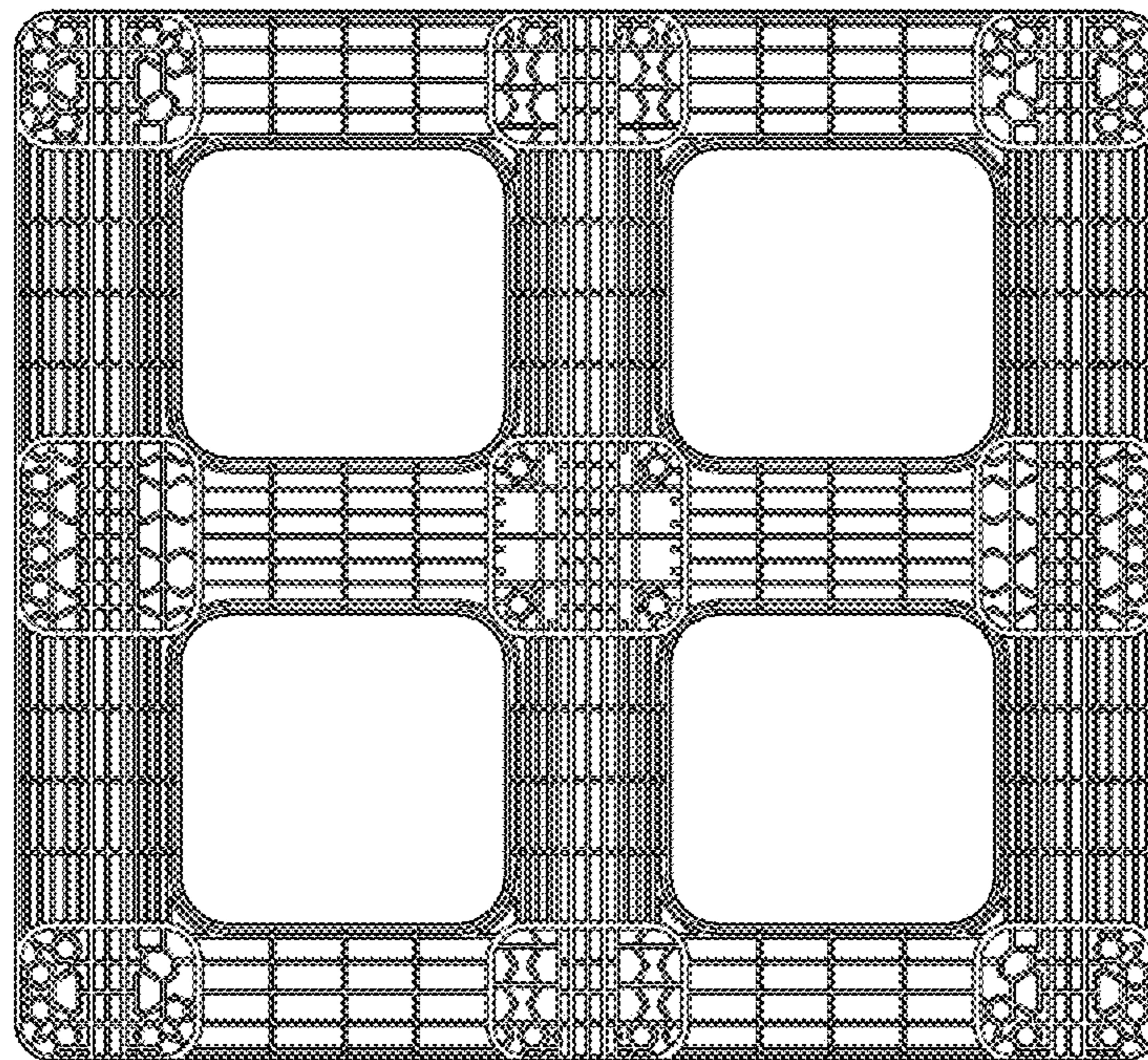


FIG. 18



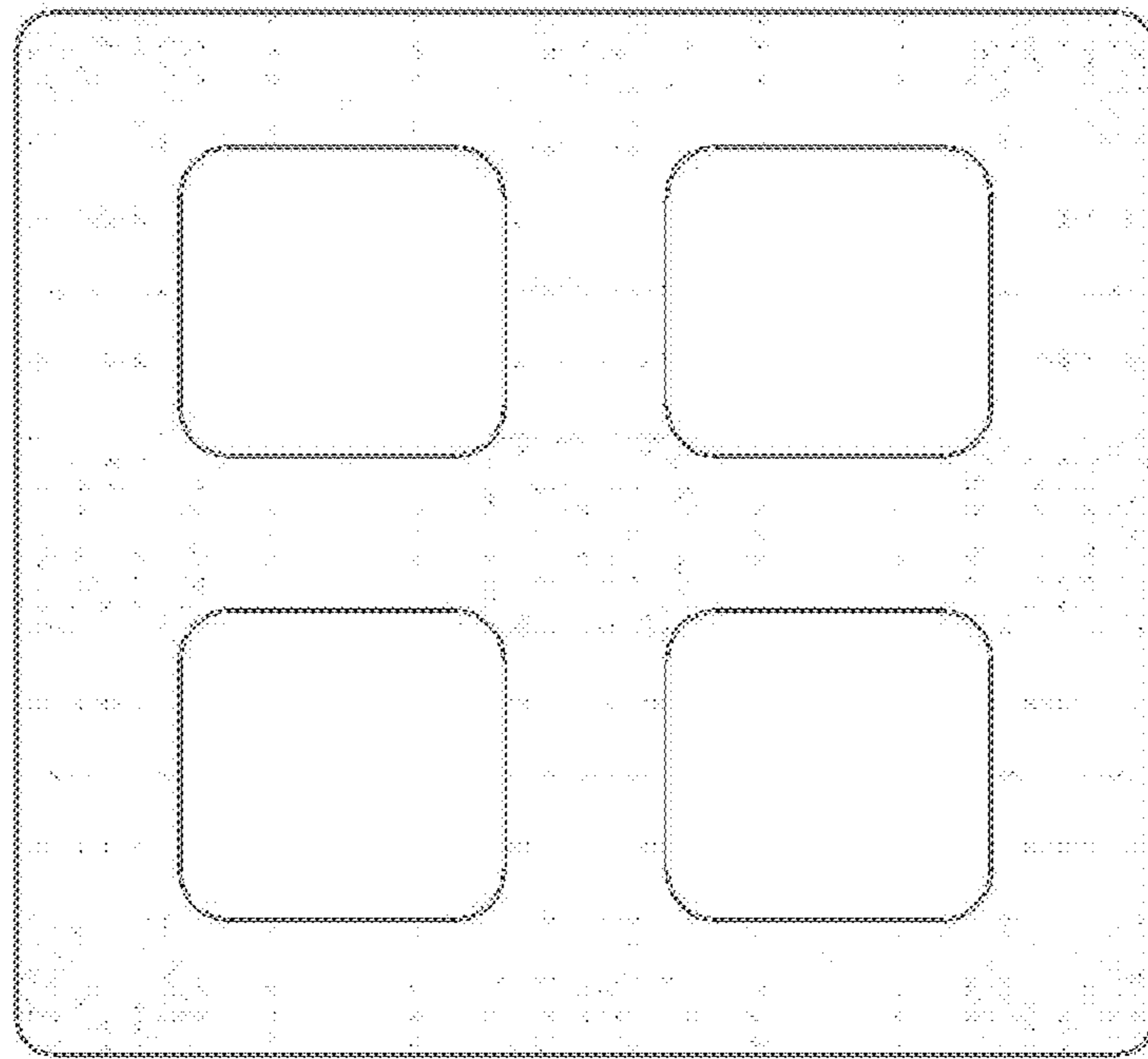


FIG. 19

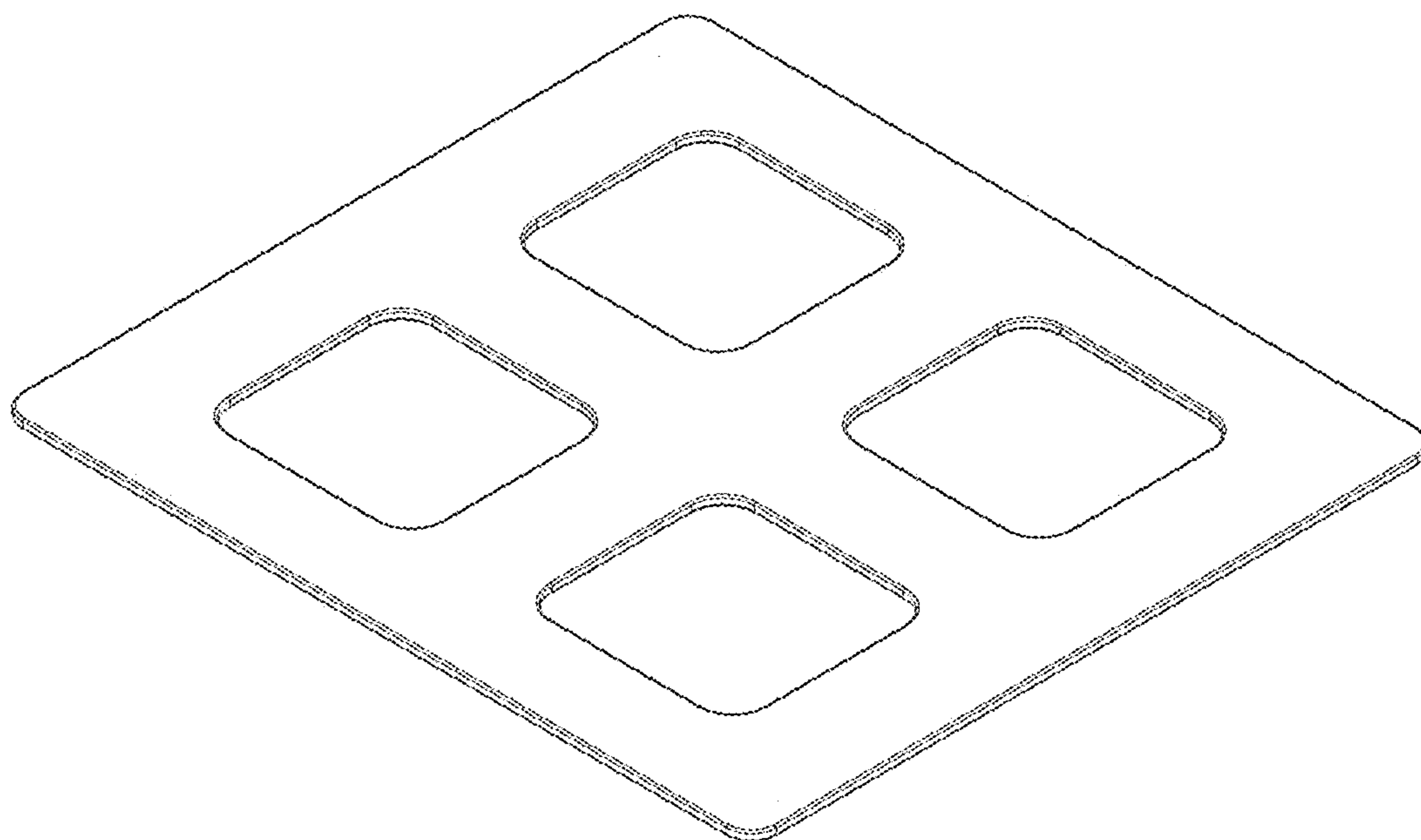


FIG. 20

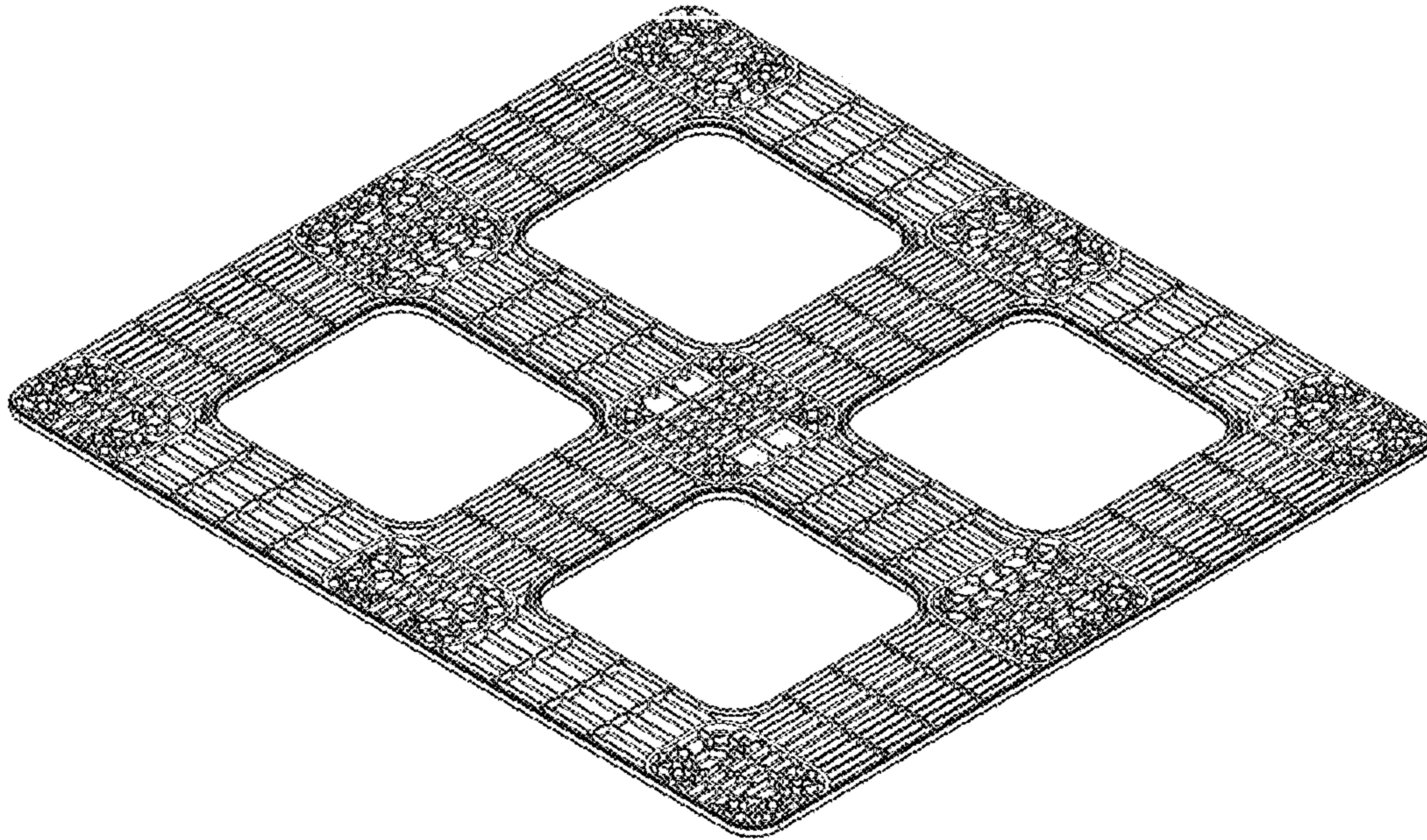


FIG. 21



FIG. 22

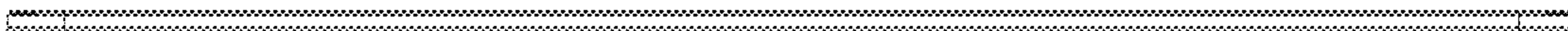


FIG. 23