



US00D878702S

(12) **United States Design Patent**
Lehmann

(10) **Patent No.:** **US D878,702 S**
(45) **Date of Patent:** **** Mar. 17, 2020**

(54) **FORKLIFT**

(71) Applicant: **MANITOU BF (Societe Anonyme),**
Ancenis (FR)

(72) Inventor: **Thierry Lehmann, Nantes (FR)**

(73) Assignee: **MANITOU BF (Societe Anonyme),**
Ancenis (FR)

(**) Term: **15 Years**

(21) Appl. No.: **29/580,221**

(22) Filed: **Oct. 6, 2016**

(30) **Foreign Application Priority Data**

Apr. 6, 2016 (EP) DM/090740

(51) **LOC (12) Cl.** **12-05**

(52) **U.S. Cl.**
USPC **D34/34**

(58) **Field of Classification Search**
USPC D34/34; D15/23-33; 414/680, 685
CPC B66F 9/06; B66F 9/24; B66F 9/12; B66F
9/0755; B66F 9/07572; B66F 17/003;
B66C 23/00; E12F 3/00; B60P 1/483
See application file for complete search history.

(56) **References Cited**

U.S. PATENT DOCUMENTS

D231,975 S *	7/1974	Aiello et al.	D34/34
D376,243 S *	12/1996	Magni	D34/34
D410,124 S *	5/1999	Nilsson	D34/1
D449,916 S *	10/2001	Salin	D34/34
6,336,784 B1 *	1/2002	Monaghan	B66F 9/0655 180/272
D564,174 S *	3/2008	Iguchi	D34/34
D664,323 S *	7/2012	Lee	D34/34
D725,863 S *	3/2015	Kazaoka	D34/34
D741,565 S *	10/2015	Schweig	D34/34
D778,522 S *	2/2017	Stark	D34/34

D792,732 S *	7/2017	Kamil	D34/39
D794,899 S *	8/2017	Yiming	D34/39
D803,506 S *	11/2017	Muller	D34/39
D820,553 S *	6/2018	Muller	D34/39
D829,403 S *	9/2018	Lehmann	D34/34
2002/0006325 A1 *	1/2002	Granroth	B66F 9/0655 414/685
2005/0036874 A1 *	2/2005	Way	B66F 9/0655 414/685
2005/0254931 A1 *	11/2005	Gokita	B66F 9/0655 414/680
2008/0063501 A1 *	3/2008	Bitter	B66F 9/22 414/680
2013/0238202 A1 *	9/2013	Aulton	B66F 9/0655 701/50
2017/0335263 A1 *	11/2017	Roussac	C12G 1/0213
2018/0297825 A1 *	10/2018	Kobayashi	B66C 23/702

* cited by examiner

Primary Examiner — Cynthia Ramirez

(74) *Attorney, Agent, or Firm* — IPSilon USA, LLP

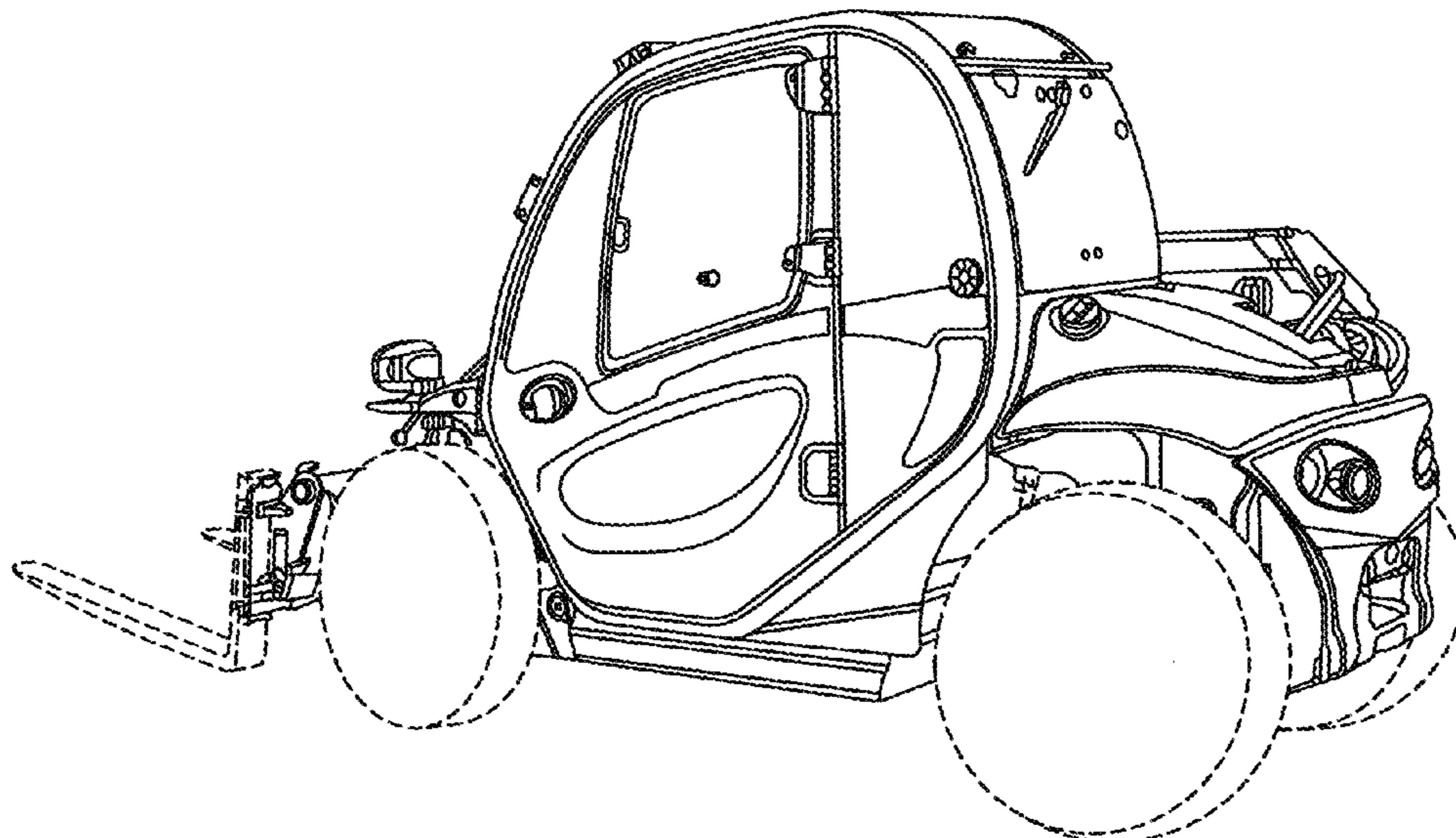
(57) **CLAIM**

The ornamental design for a fork lift, as shown and described.

DESCRIPTION

FIG. 1 is a left side view of a fork lift showing my new design;
FIG. 2 is another left side view thereof;
FIG. 3 is a right side view thereof;
FIG. 4 is another right side view thereof;
FIG. 5 is a front view thereof;
FIG. 6 is a rear view thereof;
FIG. 7 is a top view thereof;
FIG. 8 is a bottom view thereof;
FIG. 9 is a front perspective view thereof; and,
FIG. 10 is a rear perspective view thereof.
The broken lines in the drawings are to show portions of the fork lift which form no part of the claimed design.

1 Claim, 10 Drawing Sheets



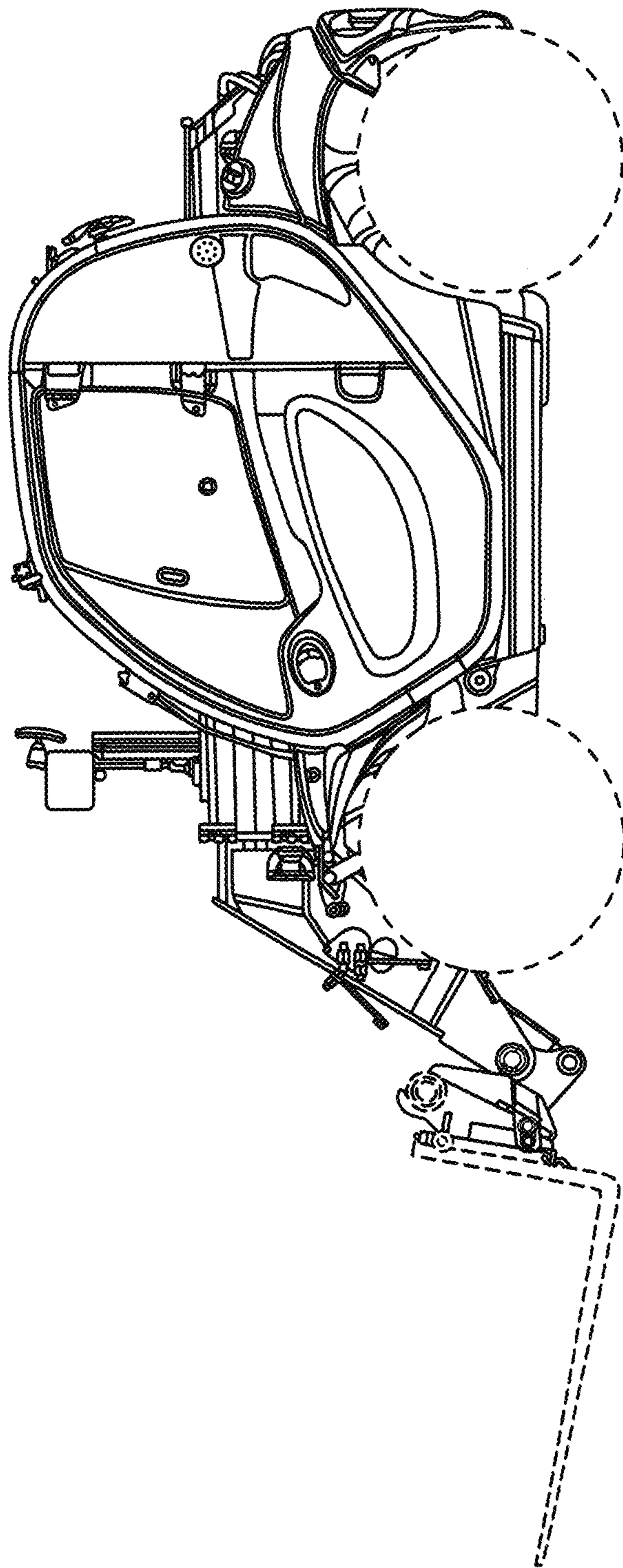


FIG. 1

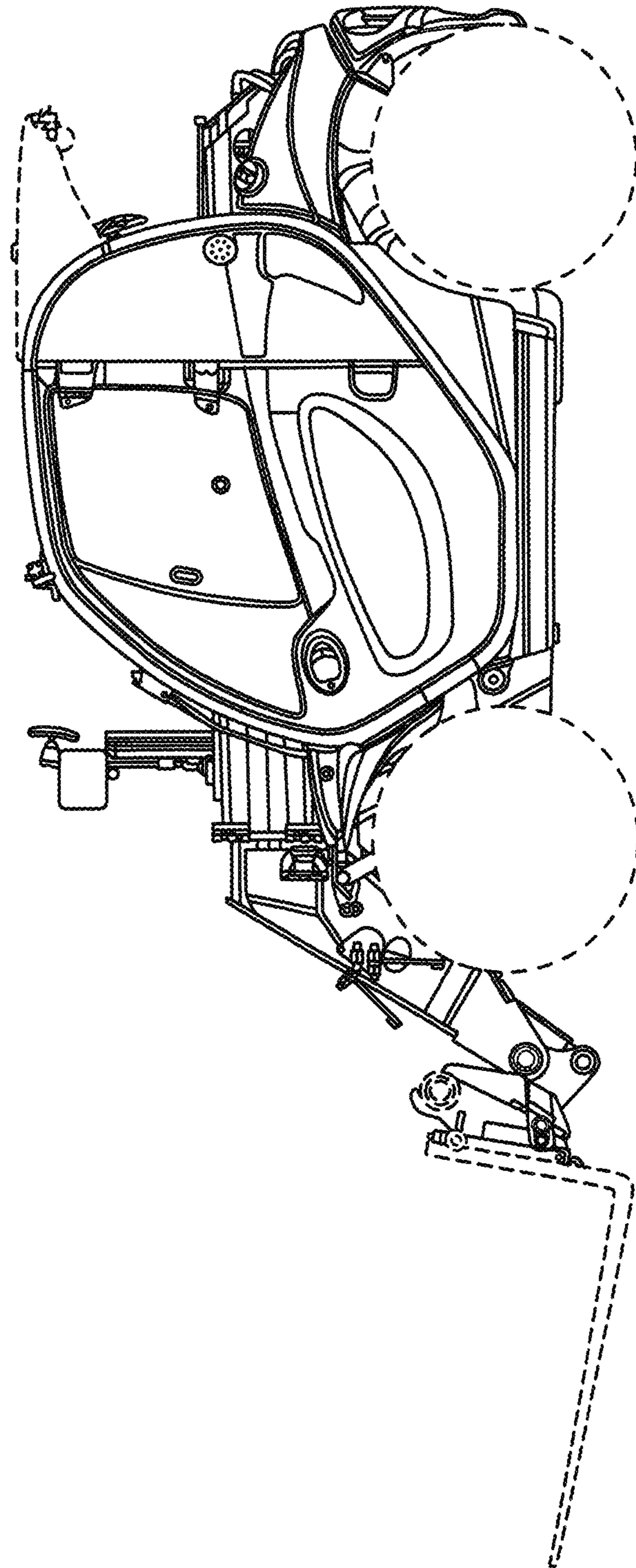


FIG. 2

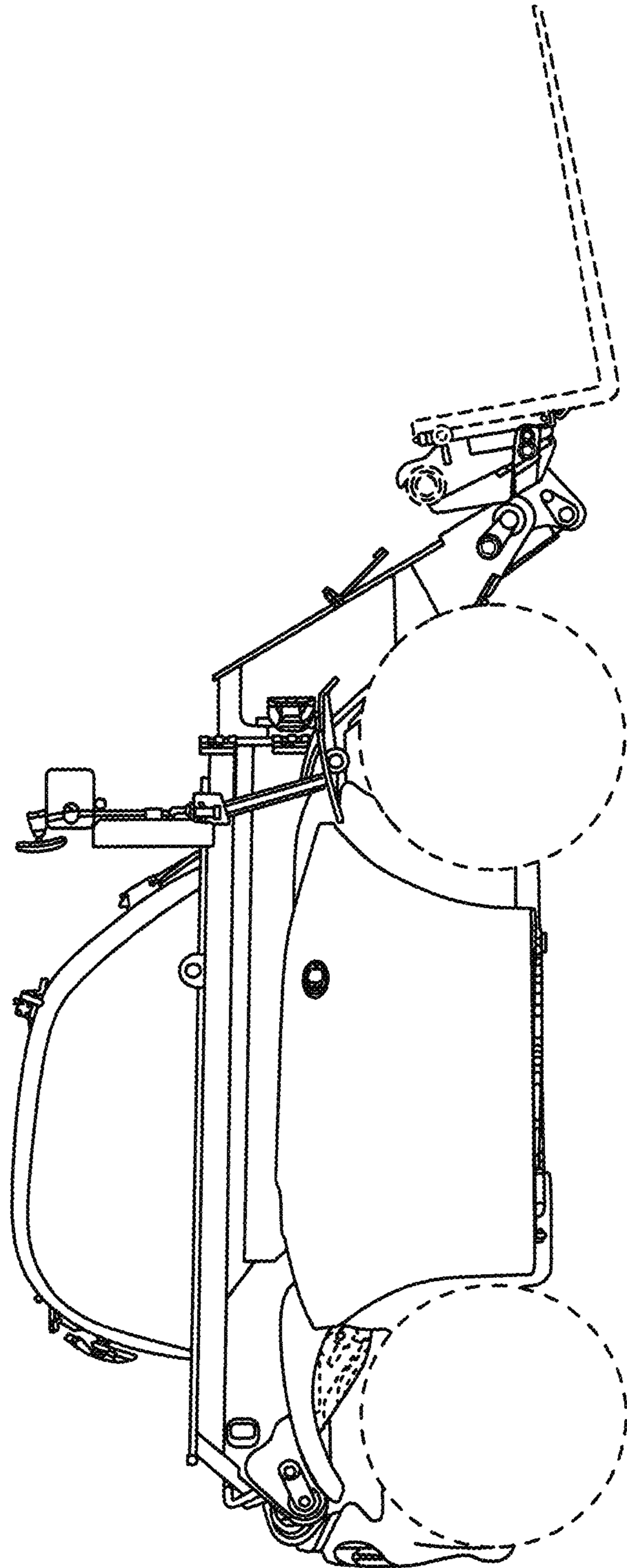


FIG. 3

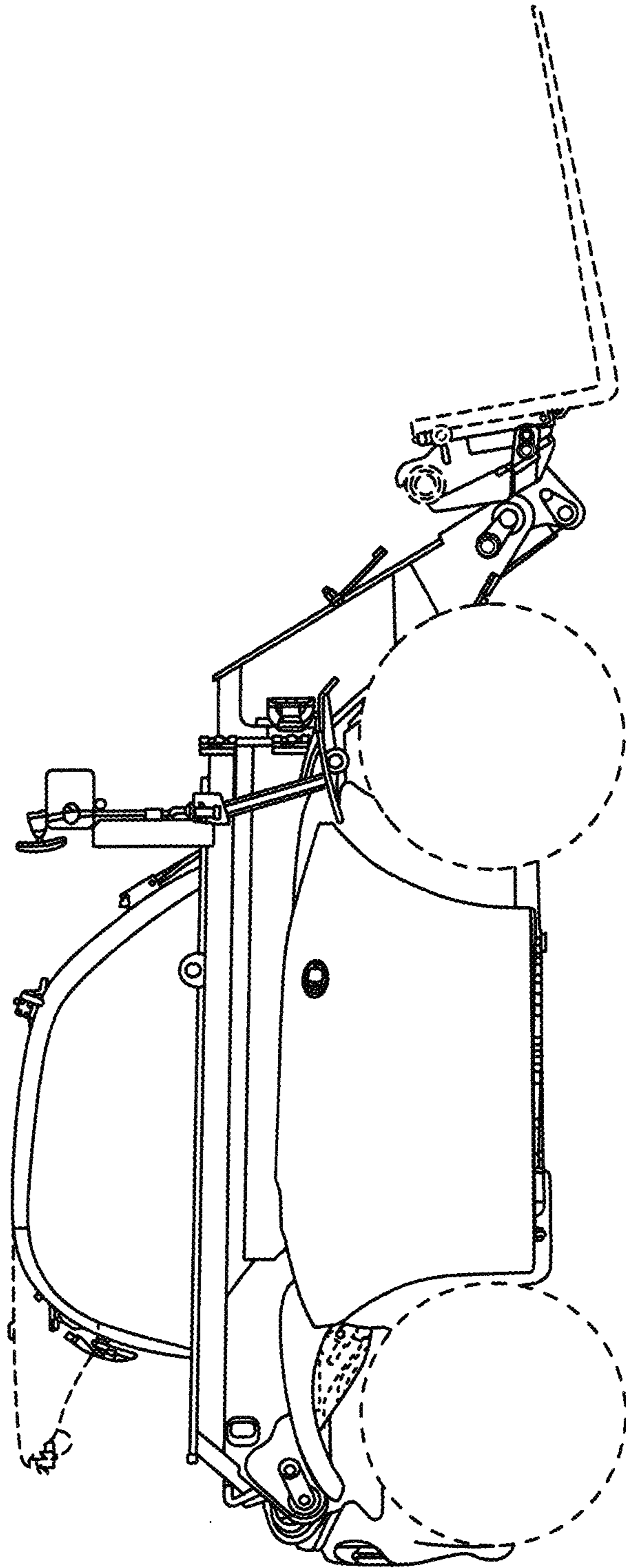


FIG. 4

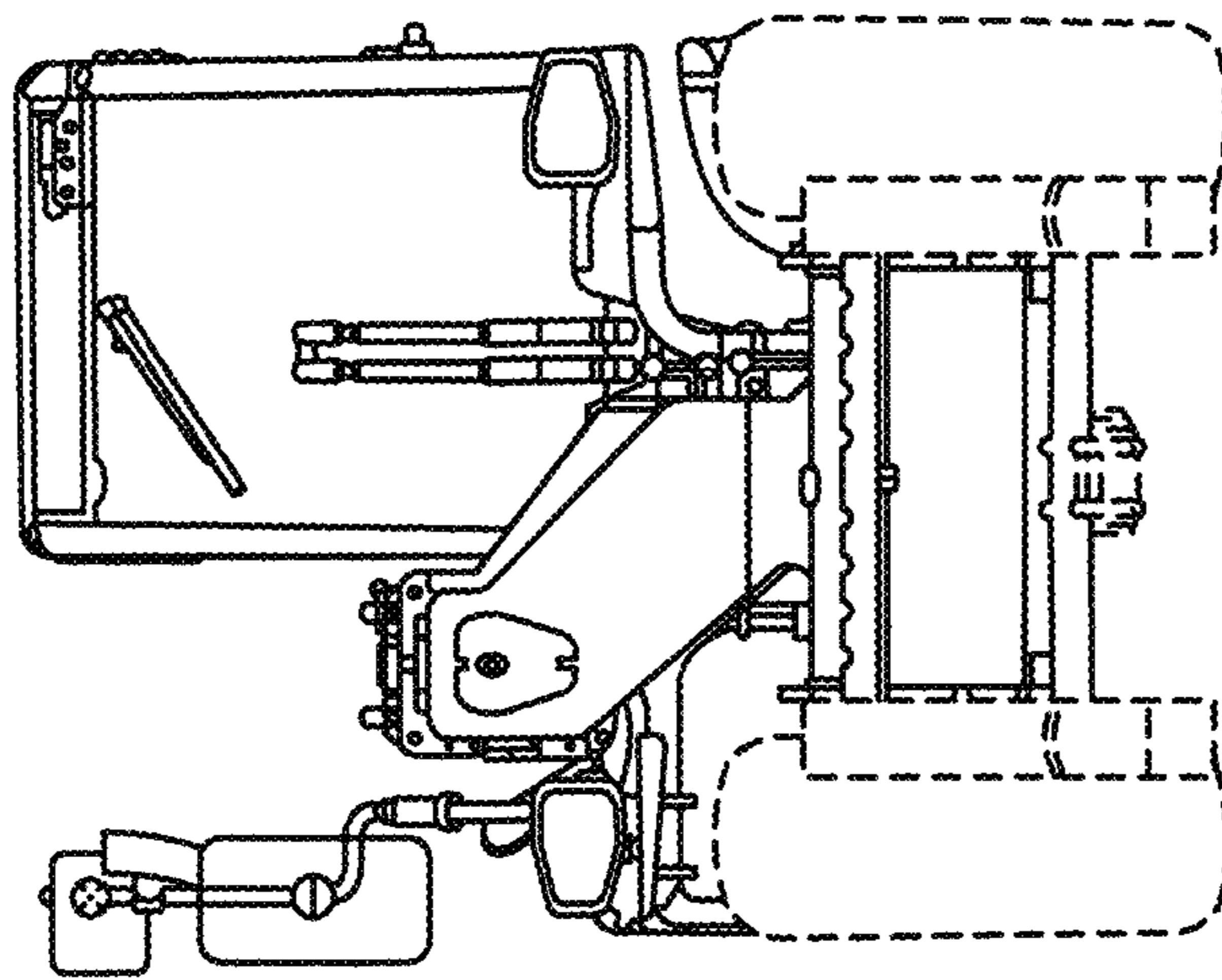


FIG. 5

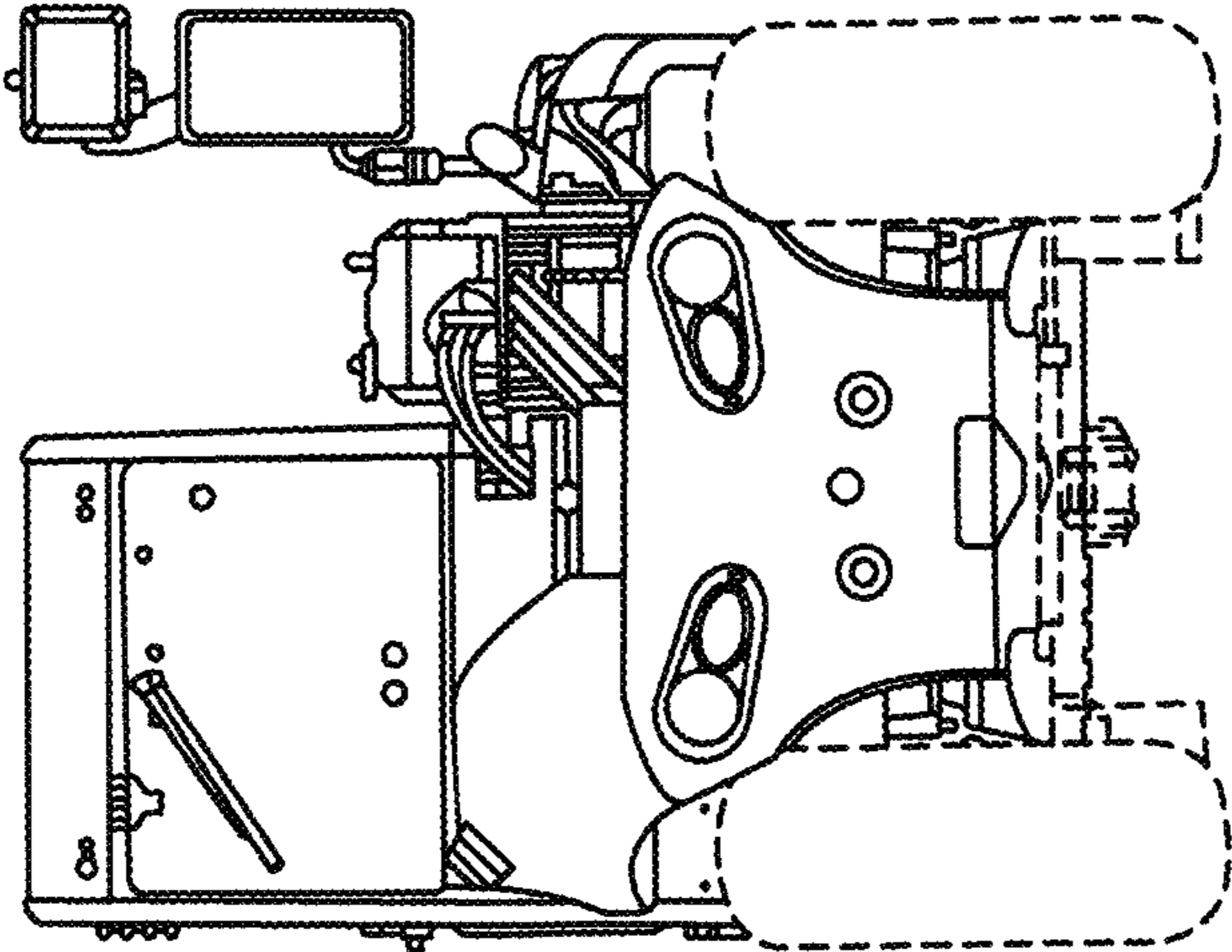


FIG. 6

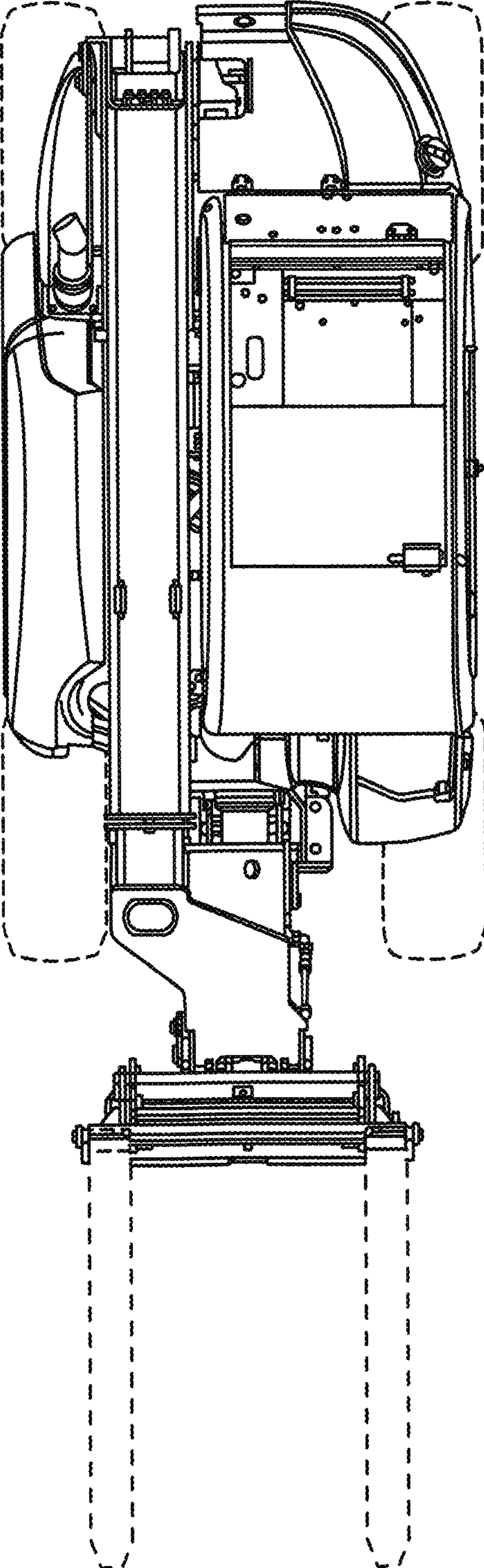


FIG. 7

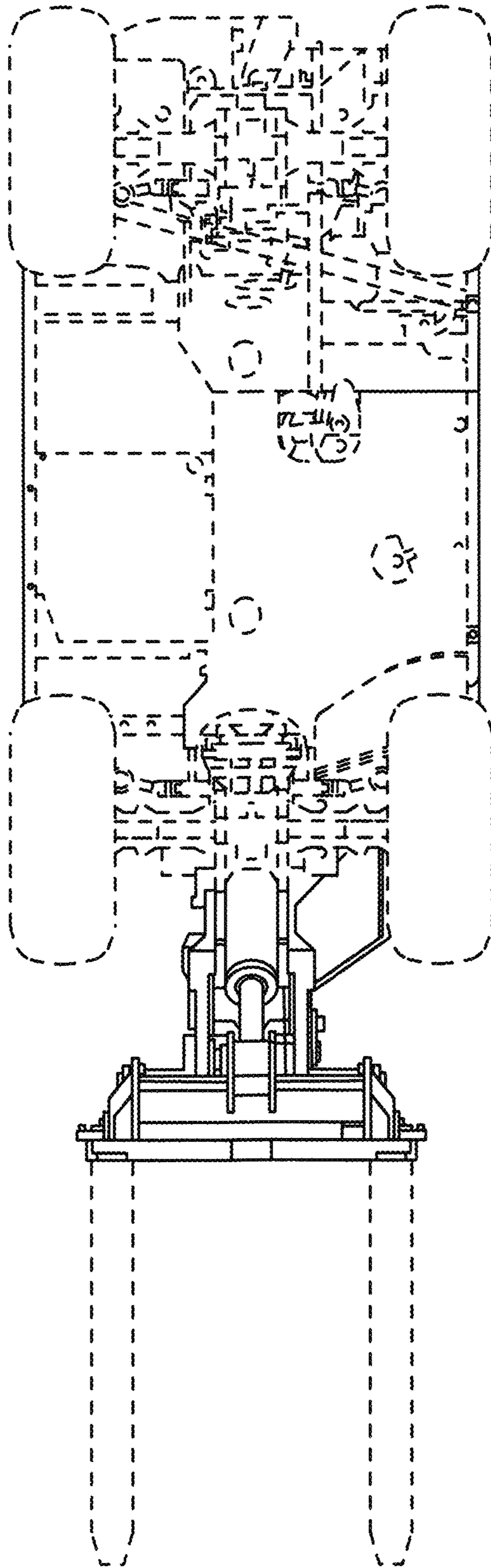


FIG. 8

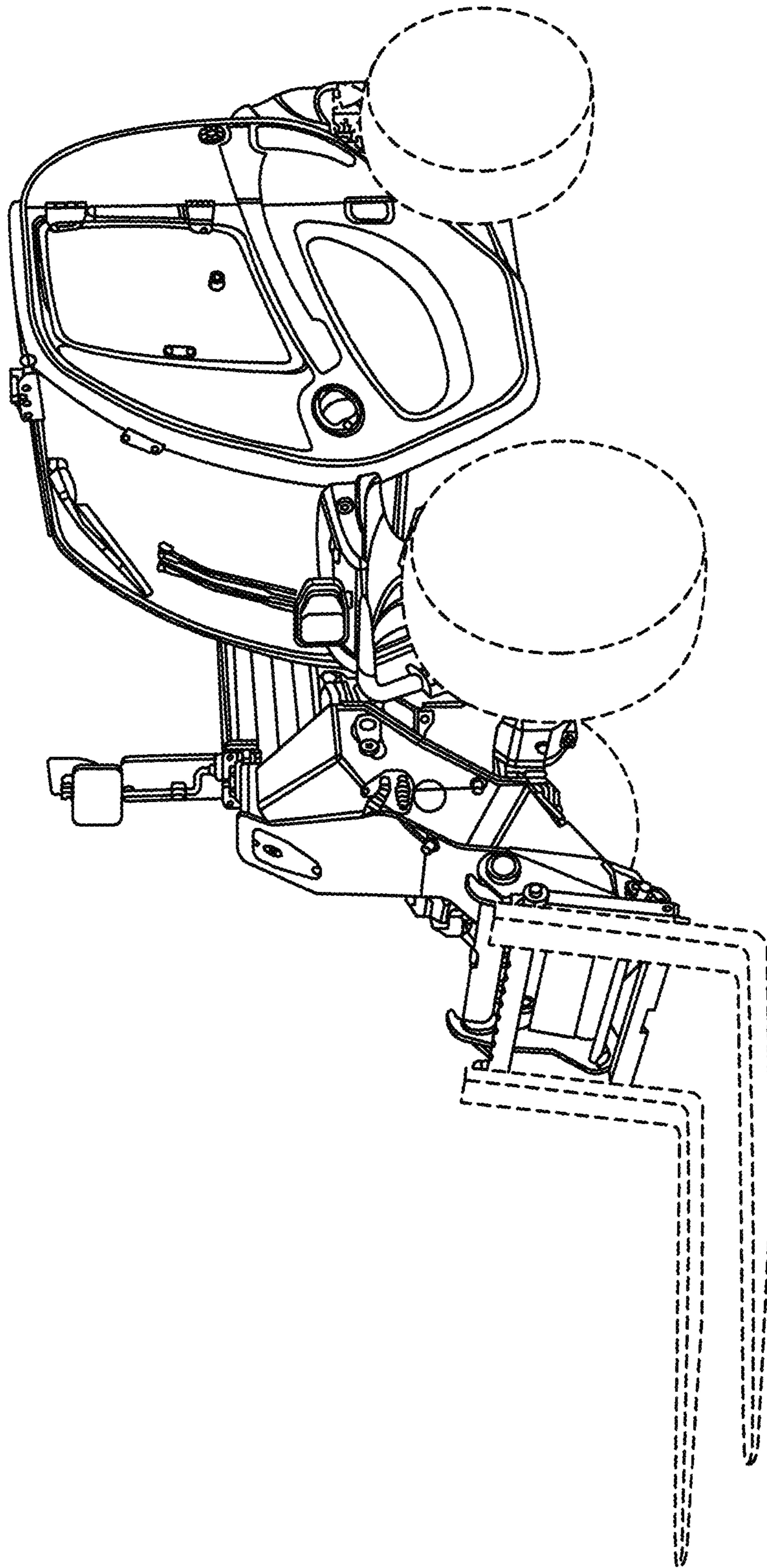


FIG. 9

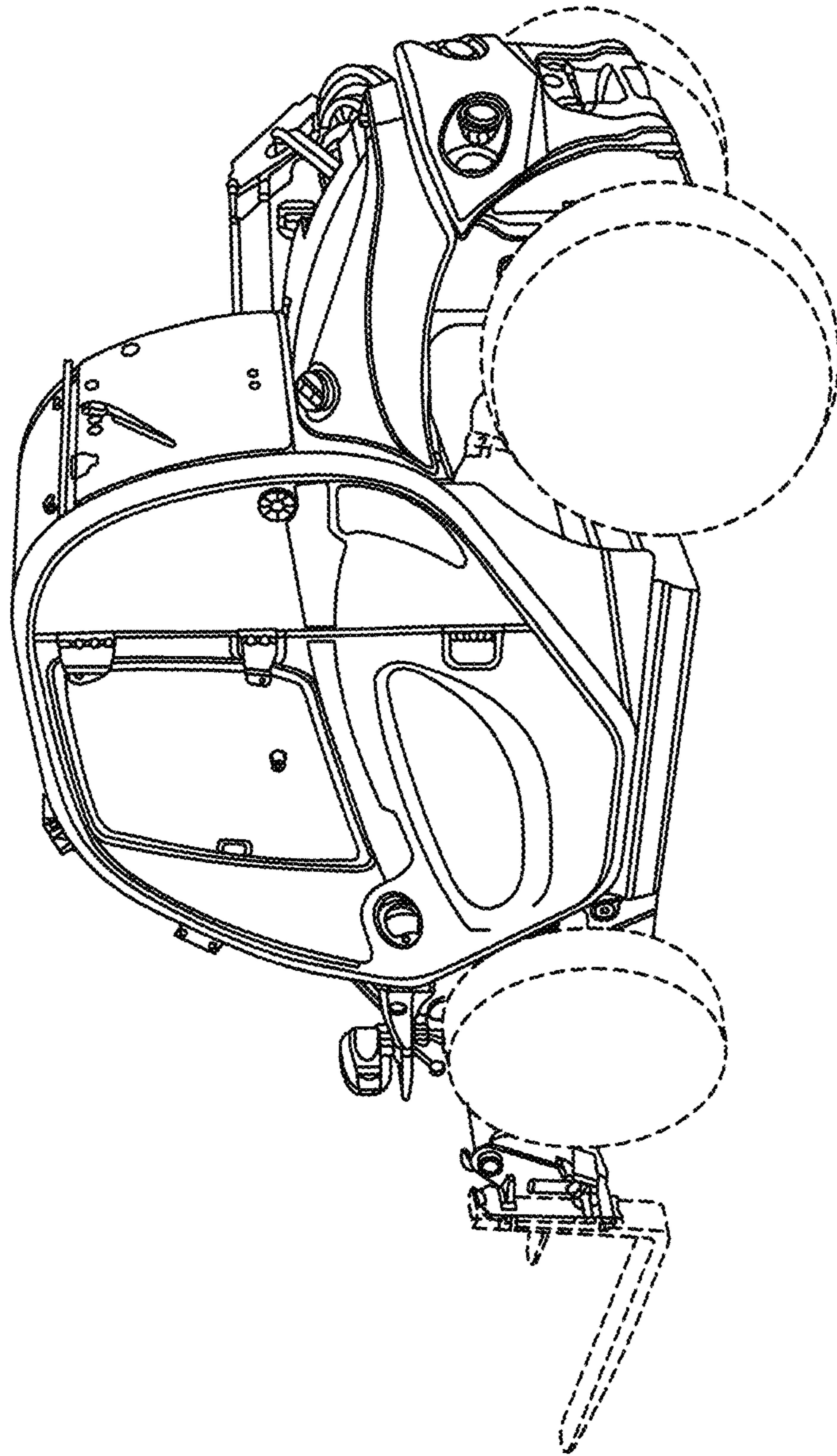


FIG. 10