



US00D878701S

(12) **United States Design Patent**
Specht

(10) **Patent No.:** **US D878,701 S**

(45) **Date of Patent:** **** Mar. 17, 2020**

(54) **CONVEYOR**

(71) Applicant: **AVANCON SA**, Riazzino (CH)

(72) Inventor: **Dieter Specht**, Arcegno (CH)

(73) Assignee: **AVANCON SA**, Riazzino (CH)

(**) Term: **15 Years**

(21) Appl. No.: **29/618,289**

(22) Filed: **Sep. 20, 2017**

(30) **Foreign Application Priority Data**

Mar. 20, 2017 (WO) DM/095770

(51) **LOC (12) Cl.** **12-05**

(52) **U.S. Cl.**
USPC **D34/29**

(58) **Field of Classification Search**
USPC D34/29, 35
CPC B65G 21/02; B65G 23/08; B65G 43/10;
B65G 13/06; B65G 13/07; B65G
2201/02; B65G 2201/06; B65G 47/268;
B65G 17/24

See application file for complete search history.

(56) **References Cited**

U.S. PATENT DOCUMENTS

2,593,089 A	4/1952	Barry	
2,860,766 A	11/1958	Welter	
3,559,782 A	2/1971	Lesley	
3,775,821 A	12/1973	Somerville	
3,812,562 A	5/1974	Lovett	
3,847,260 A	11/1974	Fowler	
3,860,106 A *	1/1975	Cooley	B65G 13/07 198/781.05
D238,510 S	1/1976	Tabler	
3,983,988 A	10/1976	Maxted et al.	
4,523,674 A	6/1985	Haugen et al.	

4,720,007 A	1/1988	Milek	
D305,366 S	1/1990	Ripley	
5,012,914 A	5/1991	Berends et al.	
D340,341 S *	10/1993	Lawless	D34/28
D345,427 S	3/1994	Moss et al.	
5,333,722 A	8/1994	Ouellette	
5,577,596 A	11/1996	Van Essen	
D376,461 S *	12/1996	Graf	D34/28
5,657,854 A	8/1997	Chen et al.	
5,746,304 A *	5/1998	Hashino	B65G 17/24 198/781.02

(Continued)

FOREIGN PATENT DOCUMENTS

DE	102009044457 A1	5/2011
DE	202006021083 U1	7/2012

(Continued)

OTHER PUBLICATIONS

Aug. 8, 2013, International communication issued for related International application No. PCT/IB/001177.

(Continued)

Primary Examiner — Cynthia Ramirez
(74) *Attorney, Agent, or Firm* — Young & Thompson

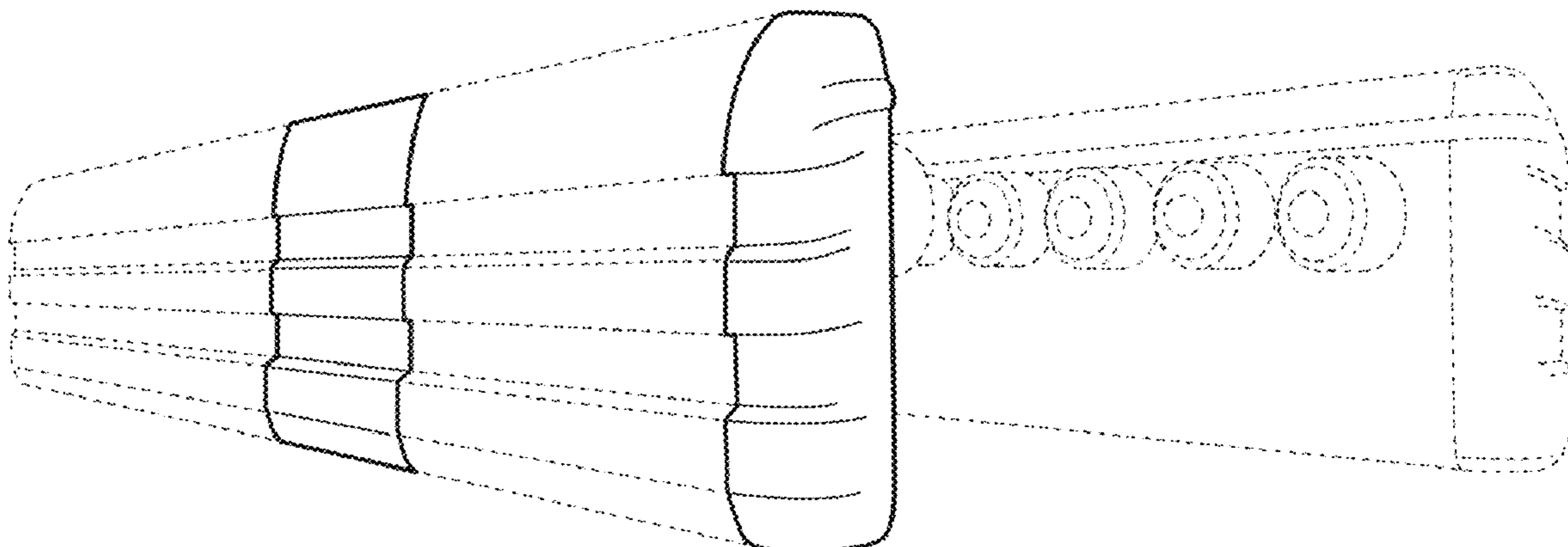
(57) **CLAIM**

The ornamental design for a conveyor, as shown and described.

DESCRIPTION

FIG. 1 is a front, left side perspective view of a conveyor showing the new design;
FIG. 2 is a front, left side, and top perspective view thereof; and,
FIG. 3 is a front elevation view thereof.
The broken lines shown in the figures are to show portions of the conveyor, which form no part of the claimed design.

1 Claim, 2 Drawing Sheets



(56)

References Cited

U.S. PATENT DOCUMENTS

5,921,374 A 7/1999 Takino et al.
 D423,748 S * 4/2000 Neuwirth D34/29
 6,073,747 A 6/2000 Takino et al.
 6,105,746 A 8/2000 Faisant
 6,142,468 A * 11/2000 Gunschera B41F 21/08
 198/837
 6,179,113 B1 1/2001 Wünscher et al.
 6,286,660 B1 9/2001 Kalm
 6,321,523 B1 * 11/2001 Christmas B65G 17/24
 198/851
 6,364,095 B1 * 4/2002 Layne B65G 17/08
 198/852
 D464,783 S 10/2002 Abbestam
 6,550,609 B2 4/2003 Coen et al.
 7,243,784 B2 7/2007 Cotter et al.
 D549,996 S 9/2007 Guiles et al.
 7,581,632 B2 9/2009 Wallace et al.
 7,607,527 B2 10/2009 Yazaki et al.
 D635,692 S 4/2011 Wirthgen
 D655,884 S 3/2012 Spies et al.
 D660,544 S 5/2012 Onayama
 8,307,976 B2 11/2012 Krätz et al.
 D673,343 S 12/2012 Thiele
 8,622,765 B2 1/2014 Sulzer
 D701,015 S * 3/2014 Specht D34/29
 9,221,609 B2 12/2015 Specht
 9,499,341 B2 11/2016 Wilkins
 9,550,625 B2 1/2017 Specht
 9,573,769 B2 2/2017 Specht
 D785,272 S * 4/2017 Merino Casajuana D34/29
 D798,023 S * 9/2017 Hofmann D34/29
 9,878,856 B2 1/2018 Specht
 D836,877 S * 12/2018 Mason B65G 17/08
 D34/29
 D837,476 S * 1/2019 Rantanen B65G 17/24
 D34/29
 D841,277 S * 2/2019 Chintalapalli Patta
 B65G 21/00
 D34/35

D842,576 S * 3/2019 Fritz B65G 43/10
 D34/29
 D842,577 S * 3/2019 Fritz B65G 39/12
 D34/29
 2003/0234155 A1 12/2003 Kanamori et al.
 2005/0040009 A1 2/2005 Ehlert
 2006/0037833 A1 2/2006 Lawless et al.
 2009/0266678 A1 * 10/2009 Horn B65G 13/06
 198/606
 2010/0252393 A1 10/2010 Chen
 2011/0139589 A1 6/2011 Agnoff
 2011/0303510 A1 * 12/2011 Horn B65G 13/06
 198/606
 2012/0104294 A1 5/2012 Heusser et al.
 2015/0183583 A1 7/2015 Specht
 2016/0083194 A1 * 3/2016 Specht B65G 43/10
 198/575
 2016/0145053 A1 5/2016 Vetter et al.
 2017/0267459 A1 * 9/2017 Ramezani B65G 39/12
 2018/0093834 A1 * 4/2018 Scheffer B65G 39/18
 2018/0111768 A1 * 4/2018 Pradelli B65G 54/02
 2018/0282070 A1 * 10/2018 Specht B65G 21/00
 2018/0327195 A1 * 11/2018 Hosch B65G 47/31

FOREIGN PATENT DOCUMENTS

EP 0956249 B1 3/2001
 EP 1375389 A1 1/2004
 EP 1921027 A1 5/2008
 EP 2456010 A1 5/2012
 WO 2004067416 A1 8/2004
 WO 2013182888 A1 12/2013

OTHER PUBLICATIONS

May 22, 2015, IT communication issued for related IT application No. RM20140537.
 Sep. 21, 2015, International communication issued for related International application No. PCT/IB2015/050953.

* cited by examiner

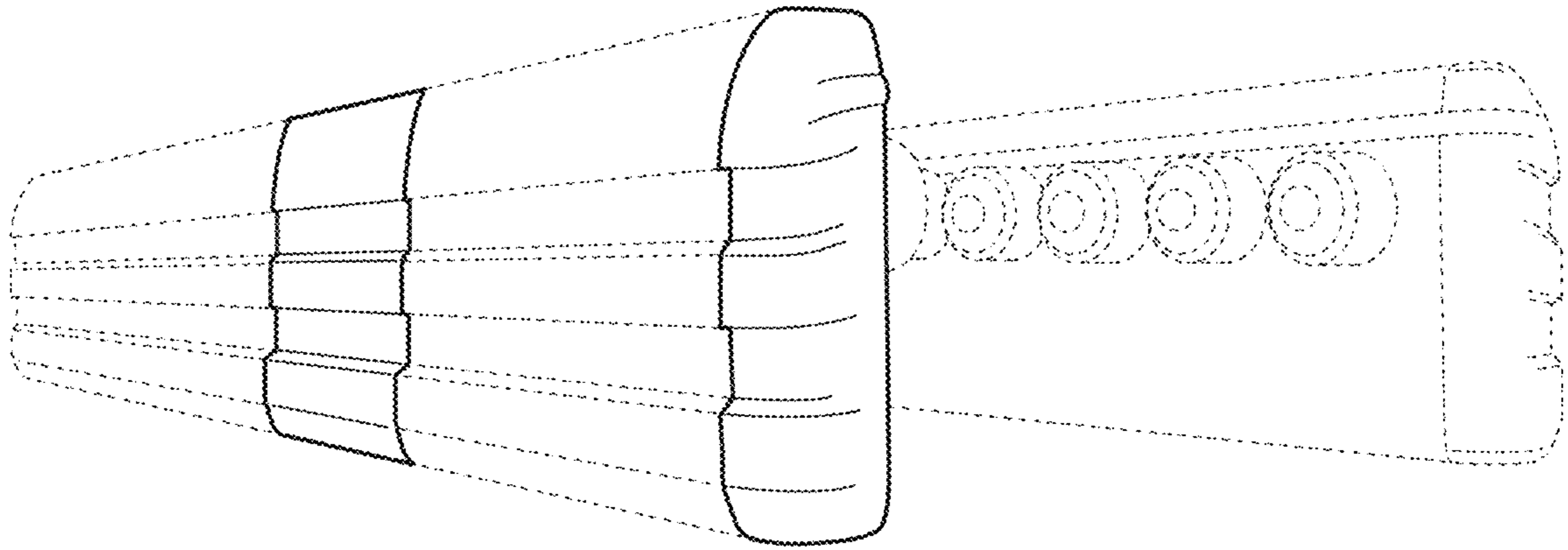


FIGURE 1

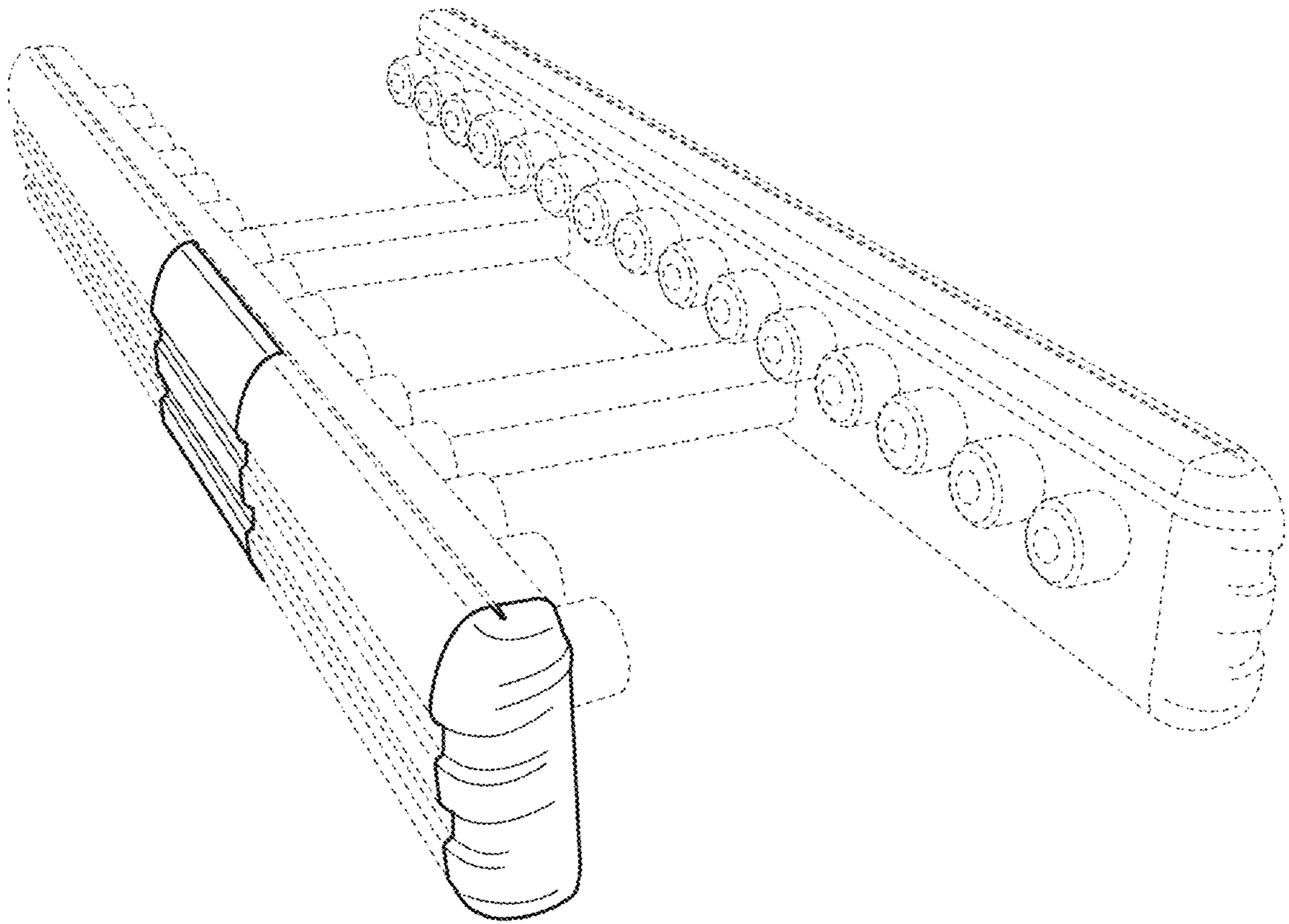


FIGURE 2

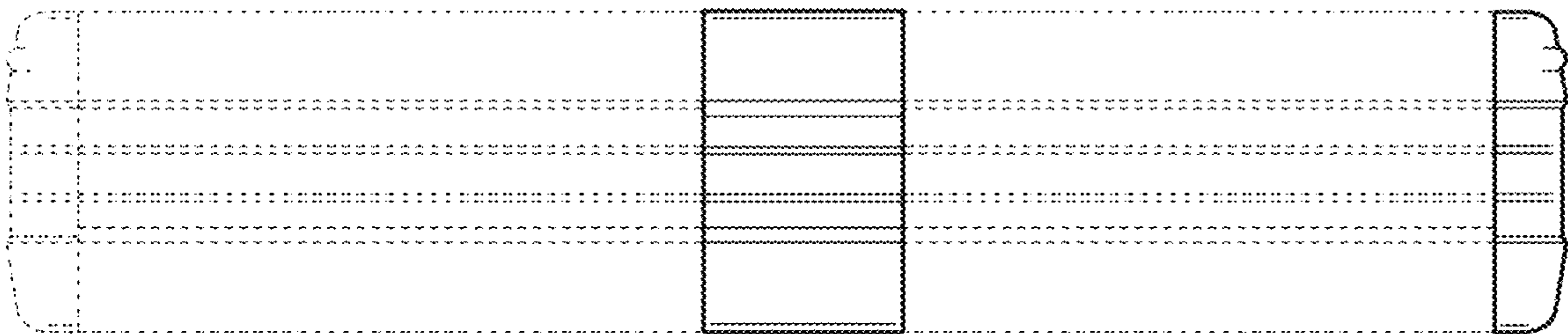


FIGURE 3