



US00D878700S

(12) **United States Design Patent**  
**Dardashti**

(10) **Patent No.: US D878,700 S**

(45) **Date of Patent: \*\* Mar. 17, 2020**

(54) **COMBINED SHELVING UNIT AND STORAGE RACK**

5,839,739 A \* 11/1998 Shannon ..... B62B 5/06  
280/47.35

D404,874 S \* 1/1999 Sandy ..... D34/12  
D461,941 S \* 8/2002 Underbrink ..... D34/14  
D487,604 S \* 3/2004 Van Landingham, Jr. .... D34/12

(71) Applicant: **ATLANTIC REPRESENTATIONS, INC.**, Santa Fe Springs, CA (US)

(Continued)

(72) Inventor: **Shahriar L. Dardashti**, Santa Fe Springs, CA (US)

**OTHER PUBLICATIONS**

(73) Assignee: **ATLANTIC REPRESENTATIONS, INC.**, Santa Fe Springs, CA (US)

Amazon, "Atlantic Cart System 2 Tier Cart", Apr. 4, 2019. [https://www.amazon.com/dp/B077NS9J8C/ref=emc\\_b\\_5\\_i](https://www.amazon.com/dp/B077NS9J8C/ref=emc_b_5_i). Shown on p. 1. (Year: 2019).\*

(Continued)

(\*\*) Term: **15 Years**

*Primary Examiner* — Cynthia Ramirez

*Assistant Examiner* — Michael A Maharajh

(21) Appl. No.: **29/648,573**

(74) *Attorney, Agent, or Firm* — R. Lynette Wylie; Apex Juris, pllc.

(22) Filed: **May 22, 2018**

(51) **LOC (12) Cl.** ..... **12-02**

(52) **U.S. Cl.**  
USPC ..... **D34/14**

(57) **CLAIM**

The ornamental design for a combined shelving unit and storage rack, as shown and described.

(58) **Field of Classification Search**  
USPC ..... 180/20; 280/33.991, 33.992, 33.995,  
280/33.996, 33.997, 47.35, 659, 79.2,  
280/79.3, 79.11, 647, 651; D12/129;  
D34/12, 14, 16, 17, 19, 20, 21, 23, 24,  
D34/25, 27; 312/249, 249.11

**DESCRIPTION**

CPC ..... B62B 3/027; B62B 5/0438; B62B 3/00;  
B62B 3/16  
See application file for complete search history.

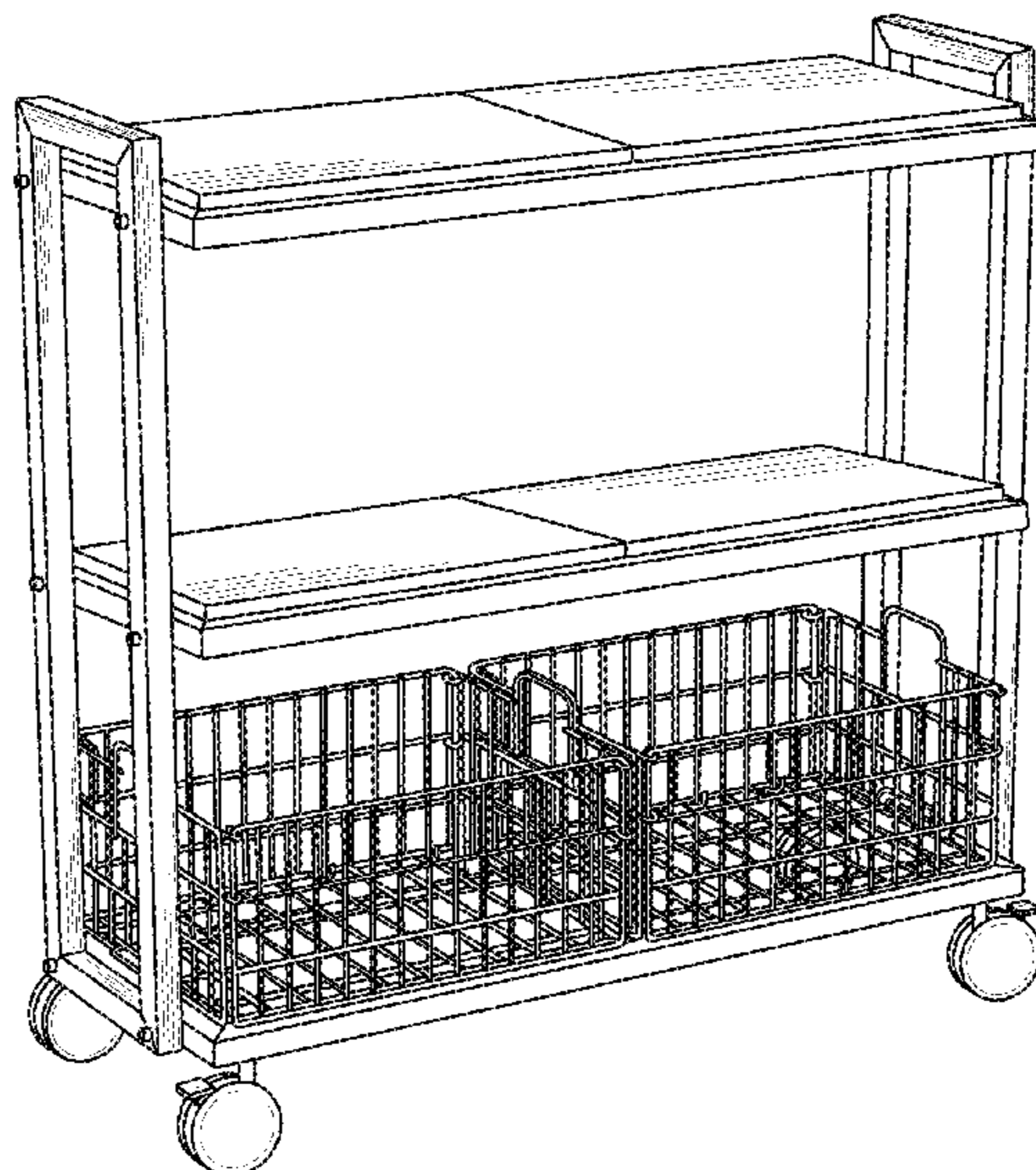
FIG. 1 is a perspective of a combined shelving unit and storage rack, showing my new design;  
FIG. 2 is a front view thereof;  
FIG. 3 is a back view thereof;  
FIG. 4 is a right side view thereof;  
FIG. 5 is a left side view thereof;  
FIG. 6 is a top plan view thereof;  
FIG. 7 is a bottom plan view thereof;  
FIG. 8 is a perspective view of a combined shelving unit and storage rack showing a second embodiment;  
FIG. 9 is a front view thereof;  
FIG. 10 is a back view thereof;  
FIG. 11 is a right side view thereof;  
FIG. 12 is a left side view thereof  
FIG. 13 is a top plan view thereof; and,  
FIG. 14 is a bottom plan view thereof.

(56) **References Cited**

**U.S. PATENT DOCUMENTS**

- 2,886,186 A \* 5/1959 Hamilton ..... A47B 31/00  
280/47.35
- D275,044 S \* 8/1984 Hampshire ..... D34/21
- 4,763,799 A \* 8/1988 Cohn ..... A47B 31/00  
D34/20
- D335,566 S \* 5/1993 Spriggs ..... D34/14
- D341,010 S \* 11/1993 Johnson ..... D34/14
- D345,839 S \* 4/1994 Senese ..... D34/14
- D393,553 S \* 4/1998 Beggs ..... D34/12

**1 Claim, 10 Drawing Sheets**



(56)

**References Cited**

U.S. PATENT DOCUMENTS

D493,019 S \* 7/2004 Lovegrove ..... D34/17  
 D493,593 S \* 7/2004 Anderson ..... D34/14  
 7,144,020 B2 \* 12/2006 Huguet ..... A47B 95/043  
 280/79.11  
 D546,017 S \* 7/2007 Wise ..... D34/19  
 D554,323 S \* 10/2007 Roth ..... D34/12  
 D608,071 S \* 1/2010 Presnell ..... D34/21  
 D608,969 S \* 1/2010 Wise ..... D34/12  
 D618,418 S \* 6/2010 Catron ..... D34/12  
 8,070,181 B2 \* 12/2011 Forrest ..... B62B 3/02  
 280/651  
 8,752,848 B2 \* 6/2014 Petrick ..... H01R 13/465  
 280/47.35  
 8,864,149 B2 \* 10/2014 Stryker ..... A61G 12/001  
 280/47.35  
 D723,237 S \* 2/2015 Maddux ..... D34/12  
 D758,688 S \* 6/2016 Nai ..... D34/12

D780,397 S \* 2/2017 Nicoll ..... D34/21  
 D789,641 S \* 6/2017 Schumaker ..... D34/21  
 D794,273 S \* 8/2017 Abel ..... D34/12  
 D809,730 S \* 2/2018 Churchvara ..... D34/21  
 D817,584 S \* 5/2018 Phillips ..... D34/21  
 D831,292 S \* 10/2018 Thuma ..... D34/12  
 2014/0091541 A1 \* 4/2014 Jarvi ..... B62B 3/004  
 280/47.34  
 2019/0047602 A1 \* 2/2019 Dardashti ..... B62B 3/022

OTHER PUBLICATIONS

Amazon, "Atlantic Cart System 3 Tier Cart", Apr. 4, 2019. <https://www.amazon.com/Atlantic-Space-Shelf-Mobile-Bookcase/dp/B07D3CXDT6>. Shown on p. 1. (Year: 2019).\*

Amazon, "Atlantic Cart System 4 Tier Cart", Apr. 4, 2019. [https://www.amazon.com/dp/B07FFHHGST/ref=emc\\_b\\_5\\_t](https://www.amazon.com/dp/B07FFHHGST/ref=emc_b_5_t). Shown on p. 1. (Year: 2019).\*

\* cited by examiner





FIG. 1

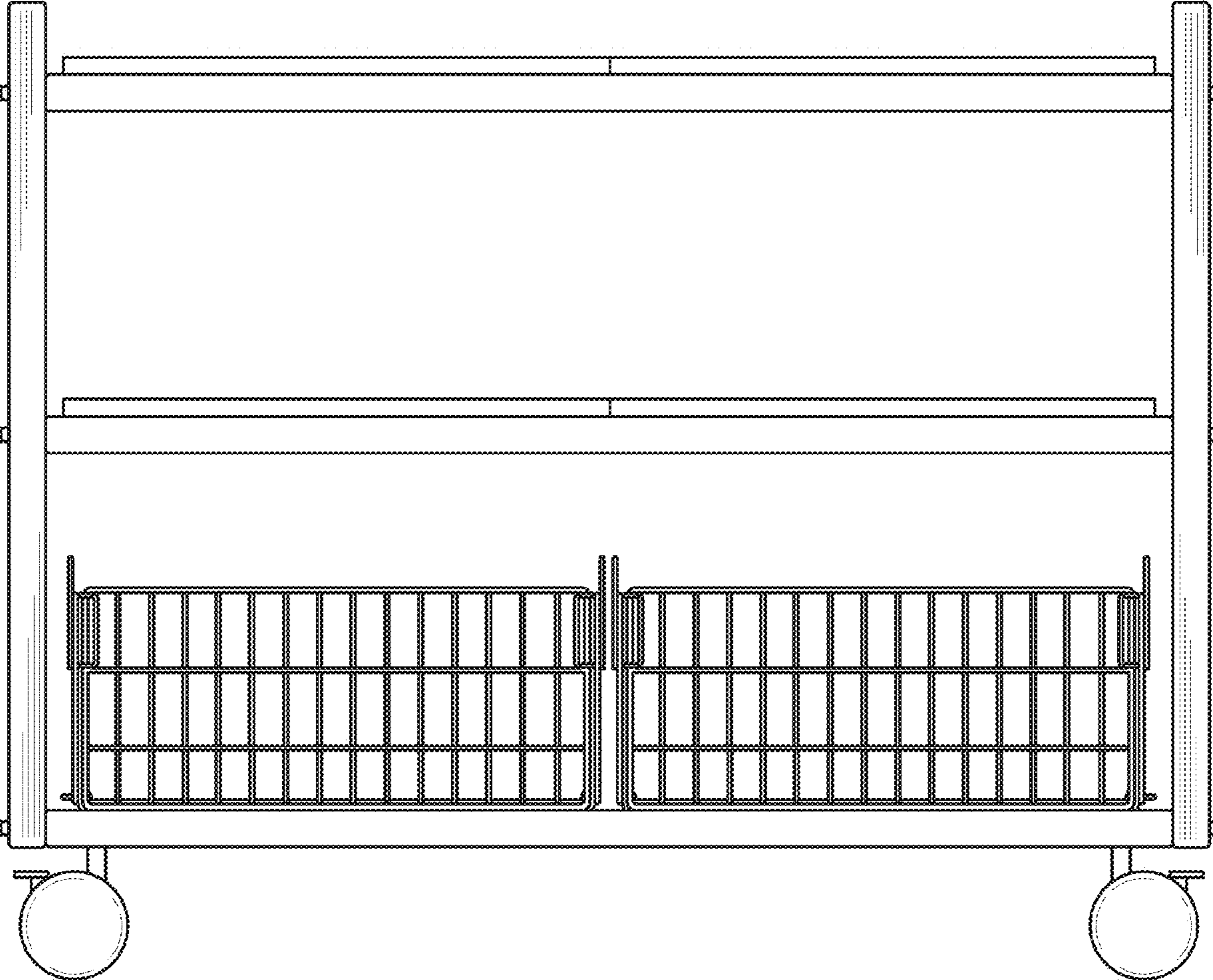


FIG. 2

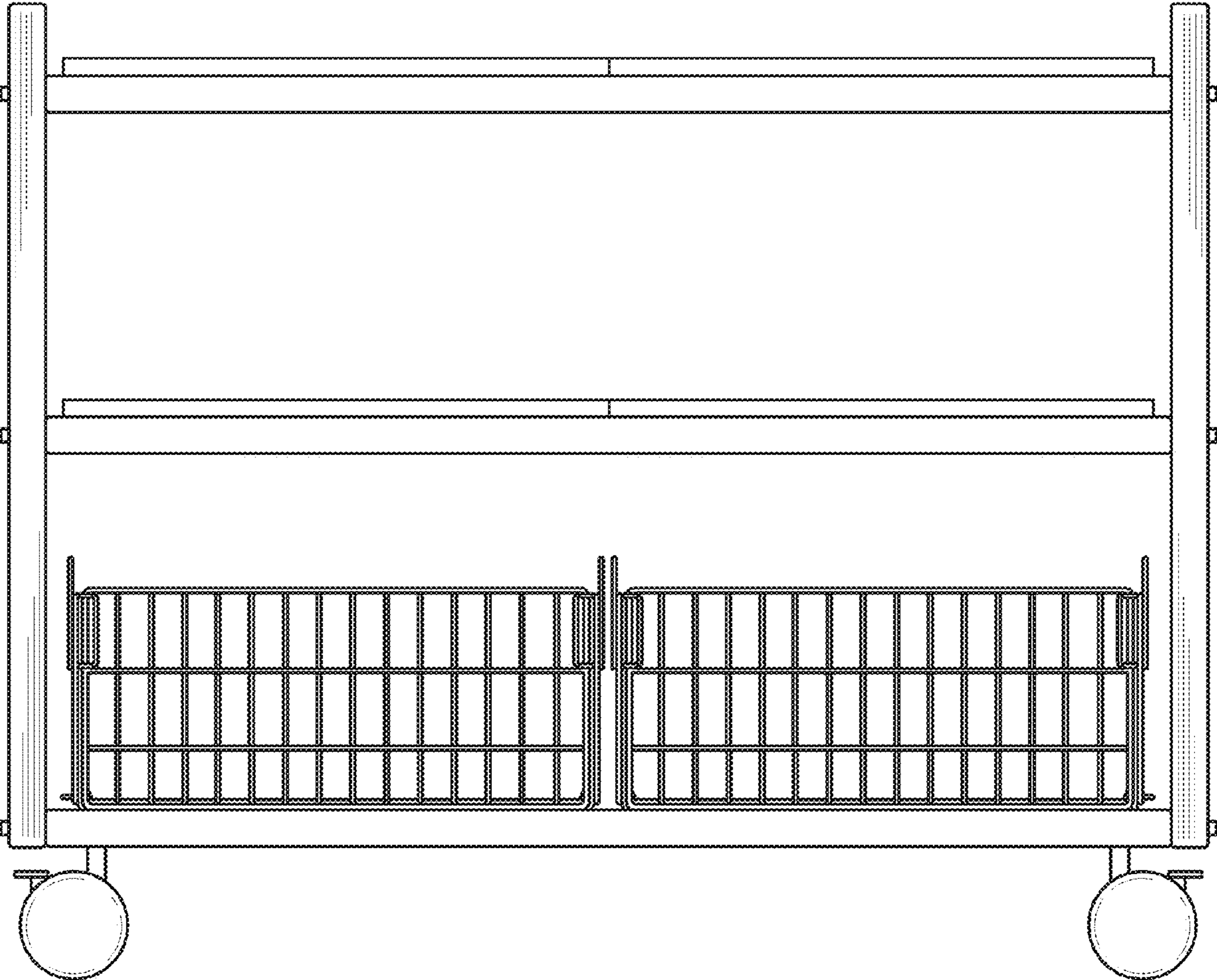


FIG. 3



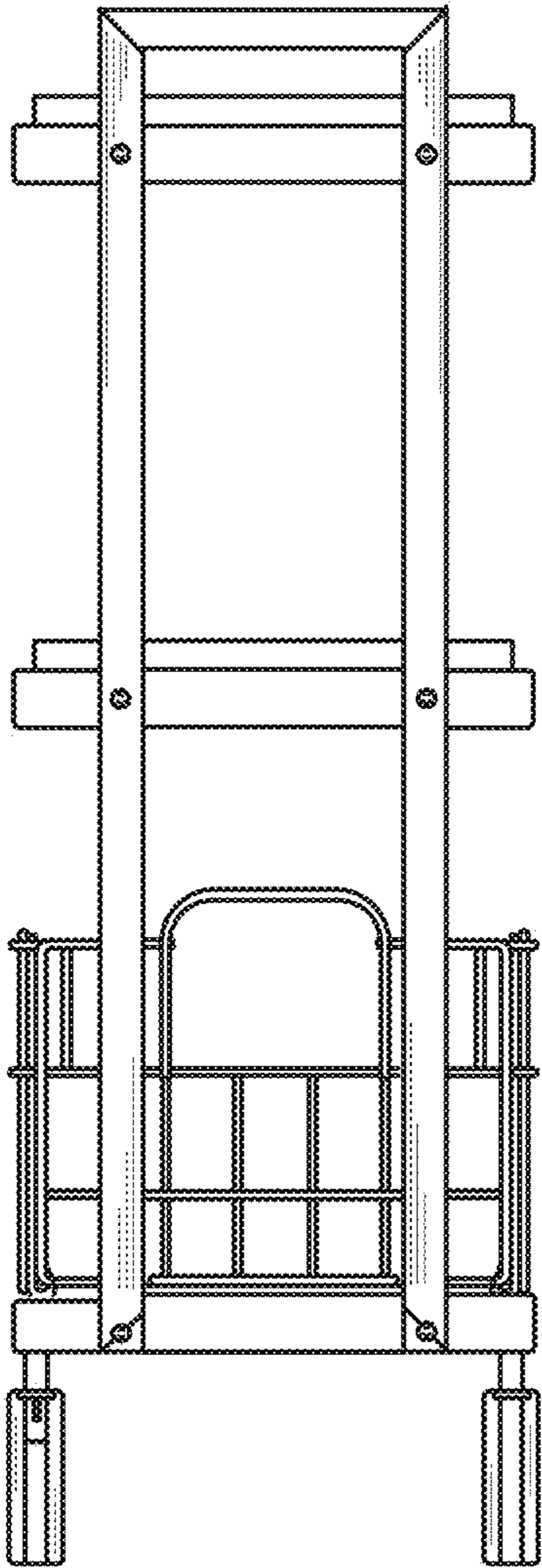


FIG. 4

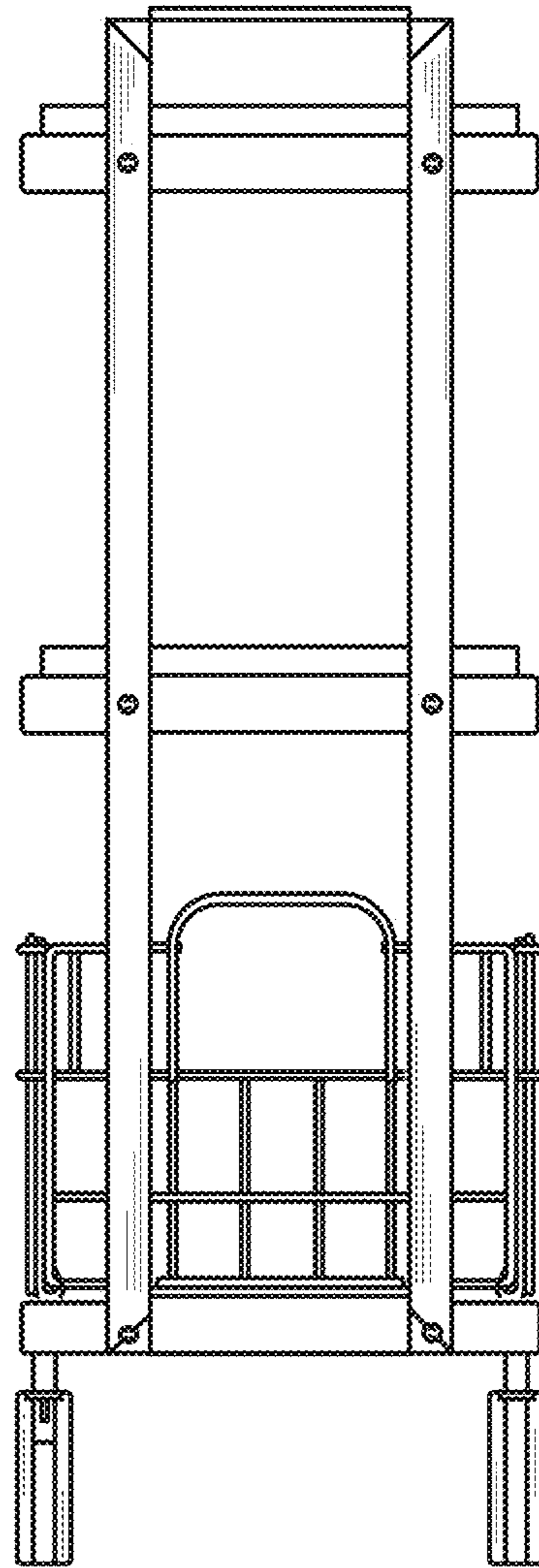


FIG. 5

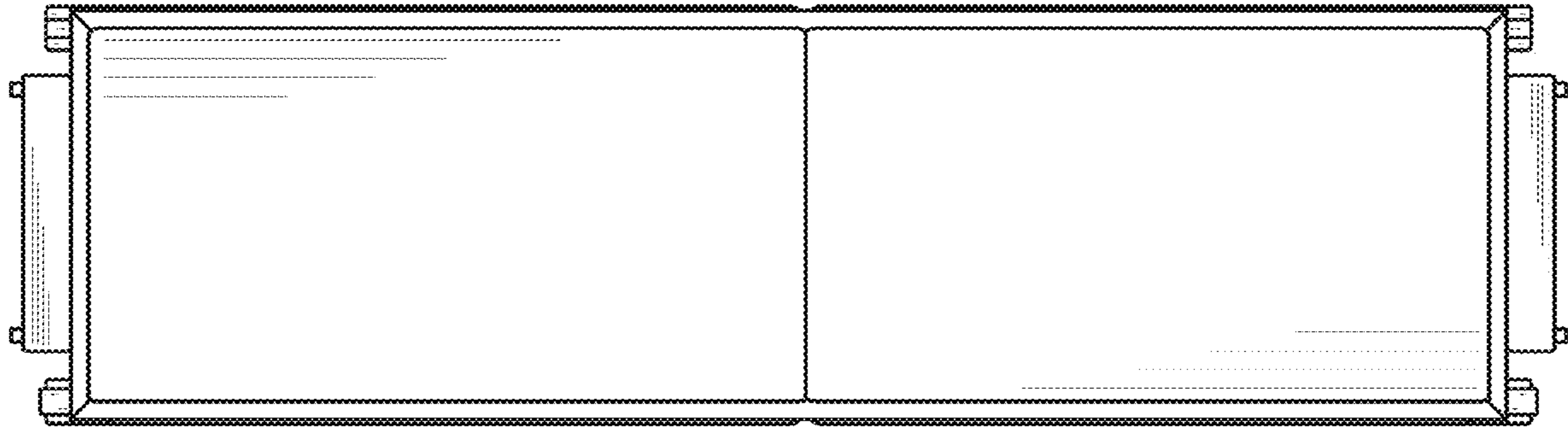


FIG. 6

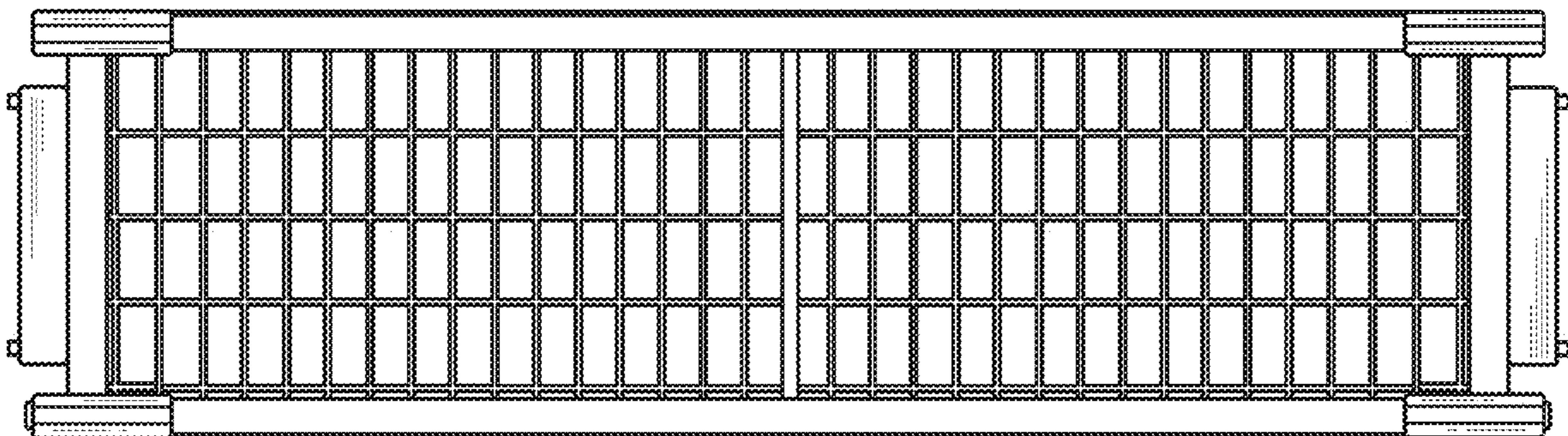


FIG. 7





FIG. 8



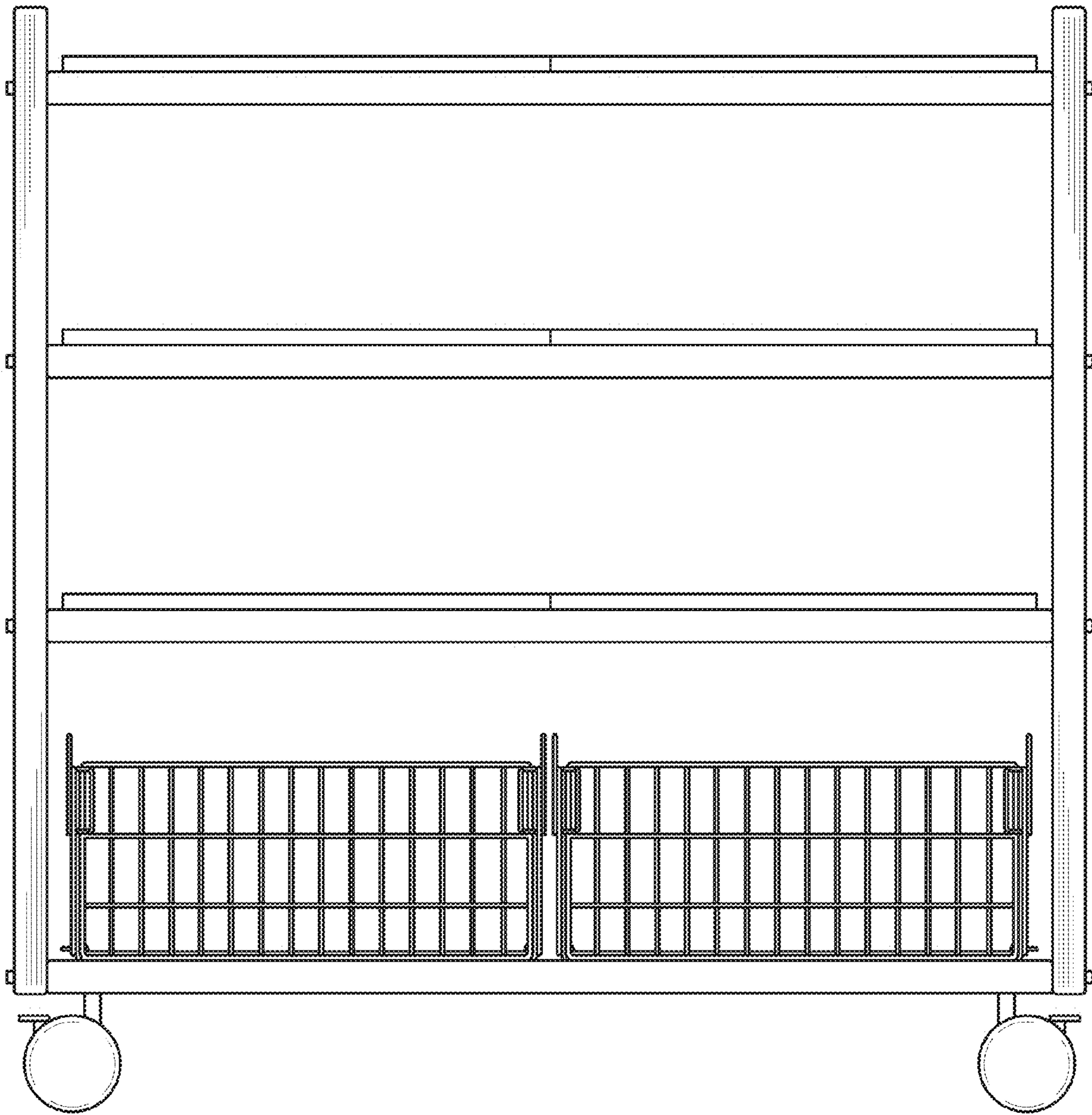


FIG. 9

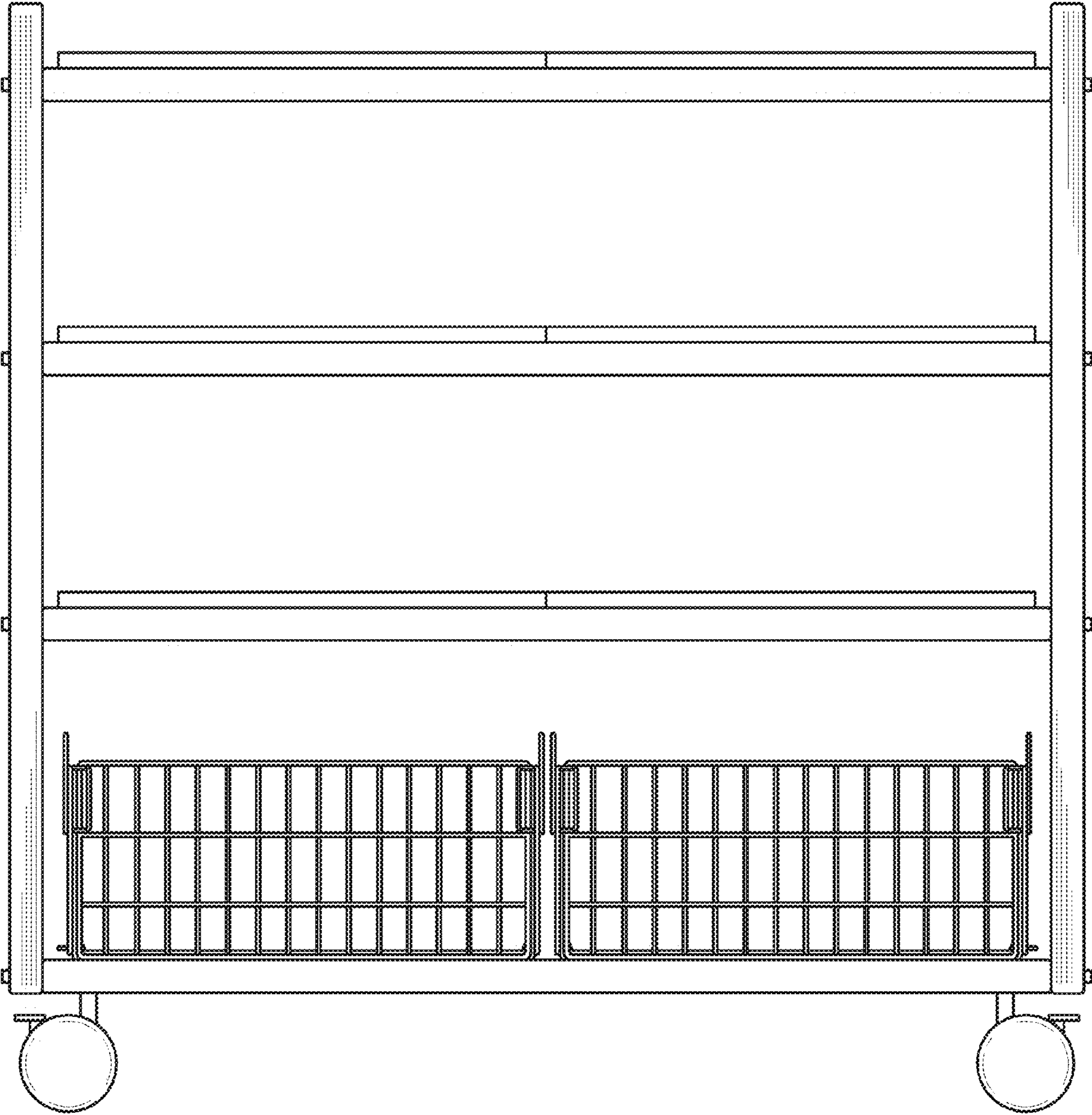


FIG. 10

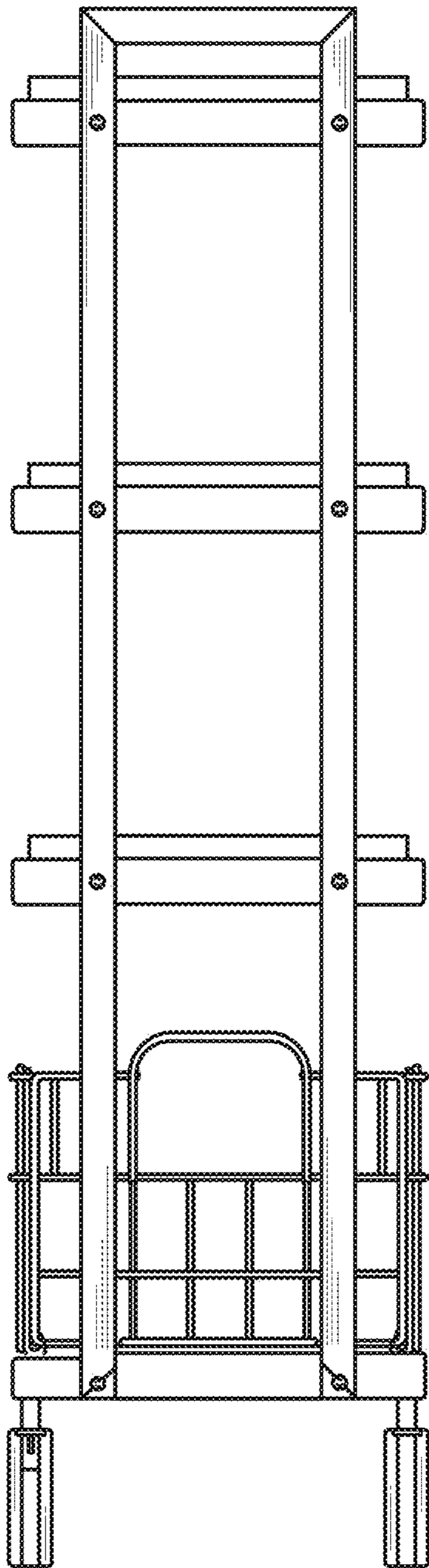


FIG. 11

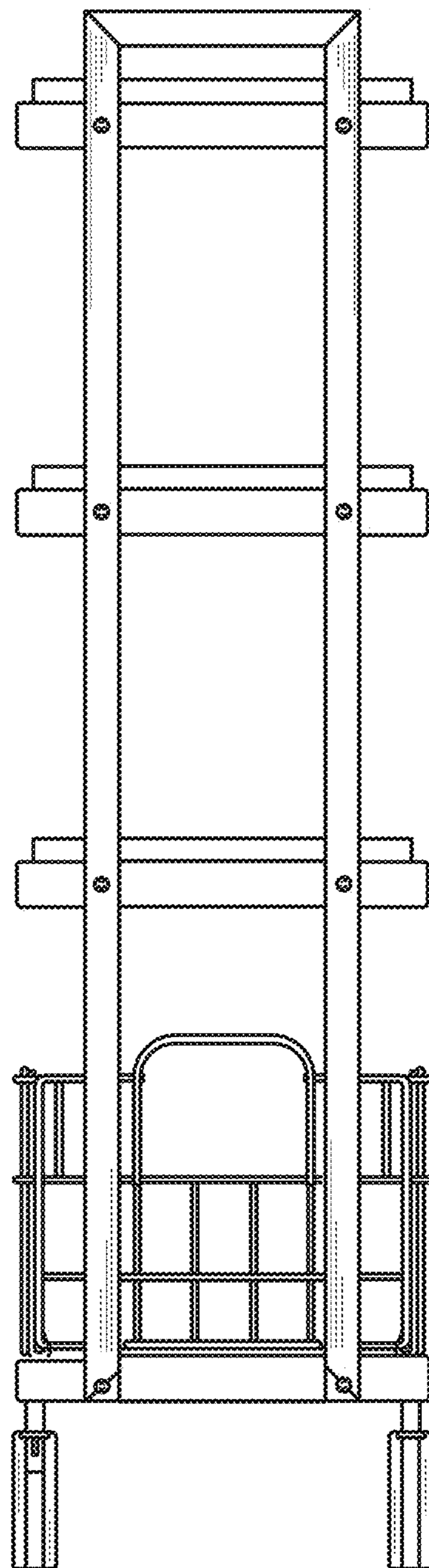


FIG. 12



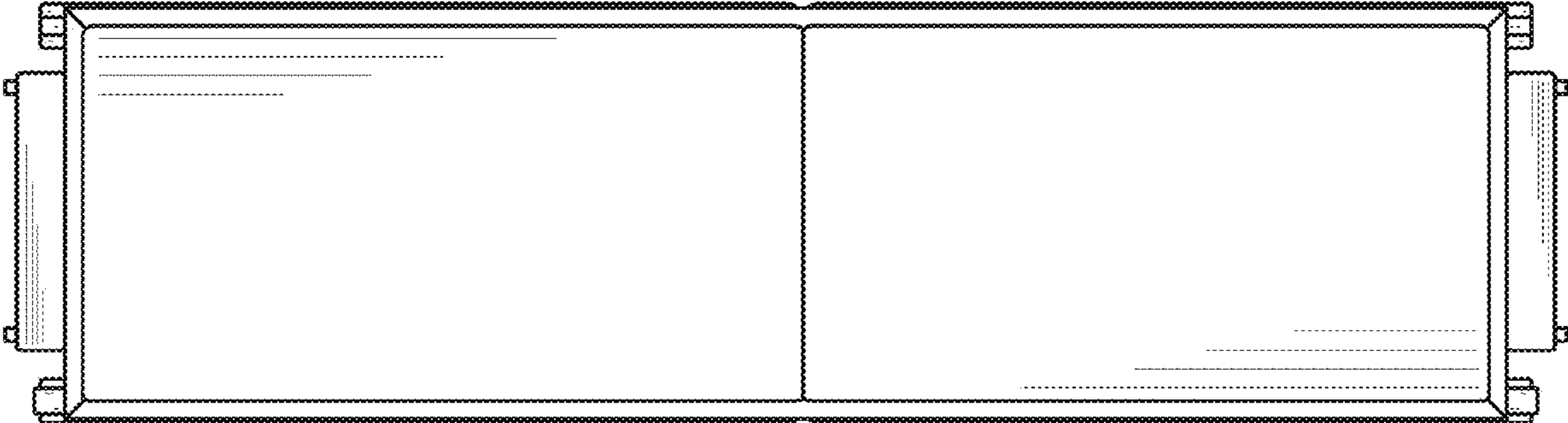


FIG. 13

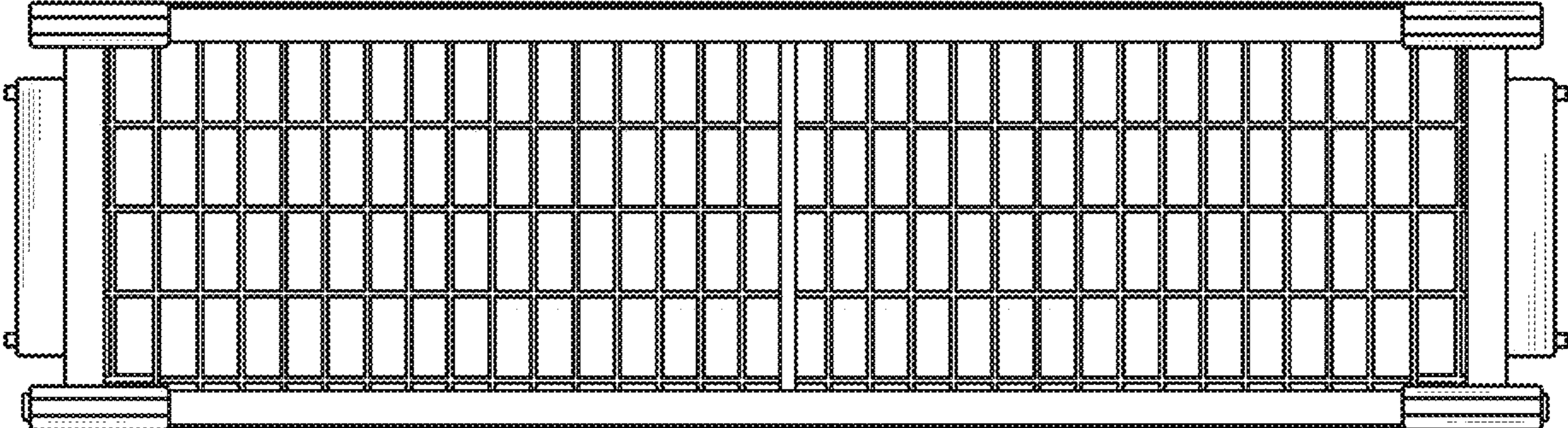


FIG. 14